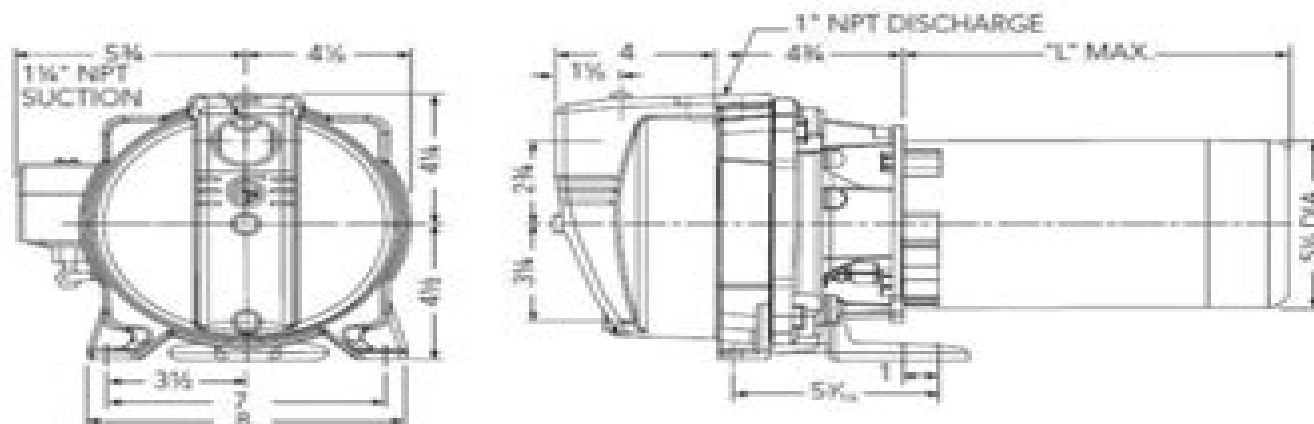


## DIMENSIONS AND WEIGHTS

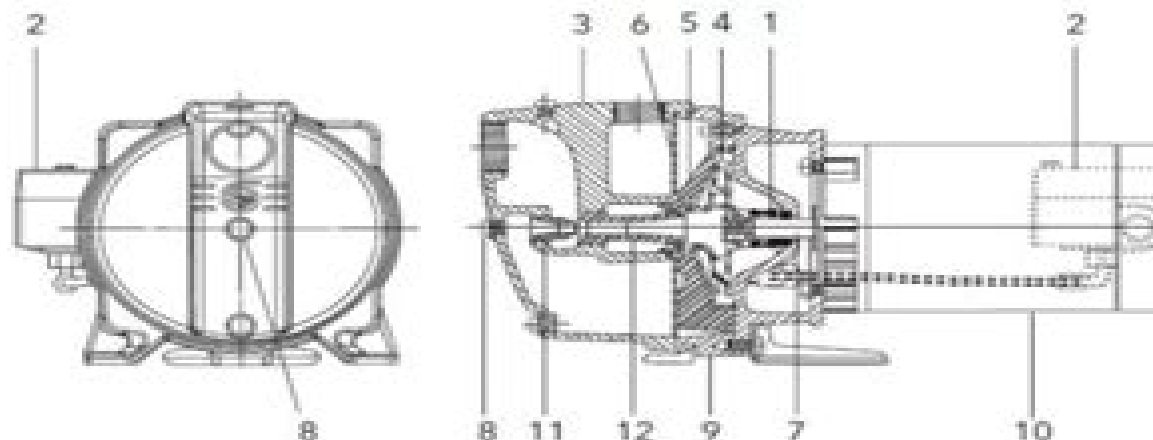
Model	J5S	J5SH	J7S	J10S	J15S
Wt. (lbs.)	43	43	47	50	60
Length	17 $\frac{1}{4}$	17 $\frac{1}{4}$	18 $\frac{1}{4}$	18 $\frac{1}{4}$	19 $\frac{1}{4}$
Width			9 $\frac{1}{2}$		
Height			8 $\frac{1}{2}$		
HP	$\frac{1}{2}$	$\frac{1}{2}$	$\frac{3}{4}$	1	1 $\frac{1}{2}$
"L" Max.	8 $\frac{1}{2}$	8 $\frac{1}{2}$	9 $\frac{1}{2}$	10	10 $\frac{1}{2}$



(All dimensions are in inches and weights in lbs. Do not use for construction purposes.)

## COMPONENTS

Item No.	Description
1	Mechanical seal
2	Pressure switch
3	Casing
4	Impeller
5	Diffuser (Guidevane)
6	Diaphragm
7	Stainless steel shaft
8	Nozzle clean-out plug
9	Motor adapter
10	Motor
11	Nozzle
12	Venturi (diffuser)



# Gould J10s User Guide

**Yicheng Fang**



## **Gould J10s User Guide:**

## **Gould J10s User Guide** Book Review: Unveiling the Magic of Language

In an electronic era where connections and knowledge reign supreme, the enchanting power of language has become more apparent than ever. Its ability to stir emotions, provoke thought, and instigate transformation is truly remarkable. This extraordinary book, aptly titled "**Gould J10s User Guide**," published by a highly acclaimed author, immerses readers in a captivating exploration of the significance of language and its profound impact on our existence. Throughout this critique, we shall delve into the book's central themes, evaluate its unique writing style, and assess its overall influence on its readership.

<https://staging.conocer.cide.edu/About/detail/Documents/Lg%20Optimus%20x%20Instructions.pdf>

### **Table of Contents Gould J10s User Guide**

1. Understanding the eBook Gould J10s User Guide
  - The Rise of Digital Reading Gould J10s User Guide
  - Advantages of eBooks Over Traditional Books
2. Identifying Gould J10s User Guide
  - Exploring Different Genres
  - Considering Fiction vs. Non-Fiction
  - Determining Your Reading Goals
3. Choosing the Right eBook Platform
  - Popular eBook Platforms
  - Features to Look for in an Gould J10s User Guide
  - User-Friendly Interface
4. Exploring eBook Recommendations from Gould J10s User Guide
  - Personalized Recommendations
  - Gould J10s User Guide User Reviews and Ratings
  - Gould J10s User Guide and Bestseller Lists
5. Accessing Gould J10s User Guide Free and Paid eBooks

- Gould J10s User Guide Public Domain eBooks
  - Gould J10s User Guide eBook Subscription Services
  - Gould J10s User Guide Budget-Friendly Options
6. Navigating Gould J10s User Guide eBook Formats
- ePub, PDF, MOBI, and More
  - Gould J10s User Guide Compatibility with Devices
  - Gould J10s User Guide Enhanced eBook Features
7. Enhancing Your Reading Experience
- Adjustable Fonts and Text Sizes of Gould J10s User Guide
  - Highlighting and Note-Taking Gould J10s User Guide
  - Interactive Elements Gould J10s User Guide
8. Staying Engaged with Gould J10s User Guide
- Joining Online Reading Communities
  - Participating in Virtual Book Clubs
  - Following Authors and Publishers Gould J10s User Guide
9. Balancing eBooks and Physical Books Gould J10s User Guide
- Benefits of a Digital Library
  - Creating a Diverse Reading Collection Gould J10s User Guide
10. Overcoming Reading Challenges
- Dealing with Digital Eye Strain
  - Minimizing Distractions
  - Managing Screen Time
11. Cultivating a Reading Routine Gould J10s User Guide
- Setting Reading Goals Gould J10s User Guide
  - Carving Out Dedicated Reading Time
12. Sourcing Reliable Information of Gould J10s User Guide
- Fact-Checking eBook Content of Gould J10s User Guide
  - Distinguishing Credible Sources
13. Promoting Lifelong Learning
- Utilizing eBooks for Skill Development

- Exploring Educational eBooks
14. Embracing eBook Trends
- Integration of Multimedia Elements
  - Interactive and Gamified eBooks

## **Gould J10s User Guide Introduction**

In the digital age, access to information has become easier than ever before. The ability to download Gould J10s User Guide has revolutionized the way we consume written content. Whether you are a student looking for course material, an avid reader searching for your next favorite book, or a professional seeking research papers, the option to download Gould J10s User Guide has opened up a world of possibilities. Downloading Gould J10s User Guide provides numerous advantages over physical copies of books and documents. Firstly, it is incredibly convenient. Gone are the days of carrying around heavy textbooks or bulky folders filled with papers. With the click of a button, you can gain immediate access to valuable resources on any device. This convenience allows for efficient studying, researching, and reading on the go. Moreover, the cost-effective nature of downloading Gould J10s User Guide has democratized knowledge. Traditional books and academic journals can be expensive, making it difficult for individuals with limited financial resources to access information. By offering free PDF downloads, publishers and authors are enabling a wider audience to benefit from their work. This inclusivity promotes equal opportunities for learning and personal growth. There are numerous websites and platforms where individuals can download Gould J10s User Guide. These websites range from academic databases offering research papers and journals to online libraries with an expansive collection of books from various genres. Many authors and publishers also upload their work to specific websites, granting readers access to their content without any charge. These platforms not only provide access to existing literature but also serve as an excellent platform for undiscovered authors to share their work with the world. However, it is essential to be cautious while downloading Gould J10s User Guide. Some websites may offer pirated or illegally obtained copies of copyrighted material. Engaging in such activities not only violates copyright laws but also undermines the efforts of authors, publishers, and researchers. To ensure ethical downloading, it is advisable to utilize reputable websites that prioritize the legal distribution of content. When downloading Gould J10s User Guide, users should also consider the potential security risks associated with online platforms. Malicious actors may exploit vulnerabilities in unprotected websites to distribute malware or steal personal information. To protect themselves, individuals should ensure their devices have reliable antivirus software installed and validate the legitimacy of the websites they are downloading from. In conclusion, the ability to download Gould J10s User Guide has transformed the way we access information. With the convenience, cost-effectiveness, and accessibility it offers, free PDF downloads have become a popular

choice for students, researchers, and book lovers worldwide. However, it is crucial to engage in ethical downloading practices and prioritize personal security when utilizing online platforms. By doing so, individuals can make the most of the vast array of free PDF resources available and embark on a journey of continuous learning and intellectual growth.

### **FAQs About Gould J10s User Guide Books**

How do I know which eBook platform is the best for me? Finding the best eBook platform depends on your reading preferences and device compatibility. Research different platforms, read user reviews, and explore their features before making a choice. Are free eBooks of good quality? Yes, many reputable platforms offer high-quality free eBooks, including classics and public domain works. However, make sure to verify the source to ensure the eBook credibility. Can I read eBooks without an eReader? Absolutely! Most eBook platforms offer web-based readers or mobile apps that allow you to read eBooks on your computer, tablet, or smartphone. How do I avoid digital eye strain while reading eBooks? To prevent digital eye strain, take regular breaks, adjust the font size and background color, and ensure proper lighting while reading eBooks. What the advantage of interactive eBooks? Interactive eBooks incorporate multimedia elements, quizzes, and activities, enhancing the reader engagement and providing a more immersive learning experience. Gould J10s User Guide is one of the best book in our library for free trial. We provide copy of Gould J10s User Guide in digital format, so the resources that you find are reliable. There are also many Ebooks of related with Gould J10s User Guide. Where to download Gould J10s User Guide online for free? Are you looking for Gould J10s User Guide PDF? This is definitely going to save you time and cash in something you should think about.

### **Find Gould J10s User Guide :**

[lg optimus 2x instructions](#)

[lg gsb325wbqv service manual repair guide](#)

[lg front load washer error code ue](#)

[lg lsc27925sw service manual repair guide](#)

**lg ductless manual installation**

[lg steam washer manual](#)

[lg d14126ixs service manual repair guide](#)

**lg ld 1419m2 service manual repair guide**

[lg lrg3095sw service manual and repair guide](#)

[lg rc8055ah1z service manual and repair guide](#)

[lg split air conditioner service manual](#)

[lg 9800 user manual](#)

**lg hbs 730 bluetooth headset manual**

**lg nexus 4 user manual**

**lg refrigerator parts manual**

## **Gould J10s User Guide :**

**sudoku killer samurai sudoku 4the** - Jul 31 2023

web sudoku puzzles samurai sudoku killer samurai sudoku complete puzzles 6x6 or 9x9 and use the puzzle solver find out about the history and origins of sudoku

[sudoku solver sudoku super sudoku samurai sudoku and](#) - Feb 11 2022

web news friday 25th june 2021 we ve just released our new members sudoku book for our full members as with all the previous books it contains 100 new sudoku puzzles and variants sudoku 3 2 sudoku 4 3 sudoku godoku super sudoku samurai sudoku and killer sudoku download your copy now simply sign up as a full member now

*sudoku samurai sudoku 4the* - Jun 17 2022

web sudoku puzzles samurai sudoku killer samurai sudoku complete puzzles 6x6 or 9x9 and use the puzzle solver

[killer sudoku online solve daily killer sudoku puzzles](#) - Jan 13 2022

web play free killer sudoku online from easy to expert level on sudoku com select a difficulty level of a sumdoku number puzzle to challenge yourself and enjoy the game

*killer sudoku samurai 65 puzzles by djape amazon ae* - Apr 27 2023

web buy killer sudoku samurai 65 puzzles by djape online on amazon ae at best prices fast and free shipping free returns cash on delivery available on eligible purchase

*killer sudoku samurai 65 puzzles paperback oct 30 2017* - Mar 27 2023

web killer sudoku samurai 65 puzzles djape 9781979131438 books amazon ca skip to main content ca hello select your address books select the department you want to search in search amazon ca en hello sign in account lists returns

[sudoku samurai sudoku 4the](#) - May 17 2022

web may 6 2019 samurai sudoku killer samurai sudoku complete puzzles 6x6 or 9x9 and use the puzzle solver sudoku puzzles 9x9 8x8 6x6 are you going to upload any more samurai sudoku puzzles in the near future comment 15 by james



morgan made on the 06th aug 2005 comment 65 by christabel made on the 11th nov 2005 hi

*killer sudoku samurai 65 puzzles volume 1 killer samurai sudoku* - Jun 29 2023

web buy killer sudoku samurai 65 puzzles volume 1 killer samurai sudoku by djape isbn 9781979131438 from amazon s book store everyday low prices and free delivery on eligible orders

**killer sudoku samurai 65 puzzles killer samurai sudoku band** - Jul 19 2022

web killer sudoku samurai 65 puzzles killer samurai sudoku band 10 djape isbn 9781979131438 kostenloser versand für alle bücher mit versand und verkauf duch amazon

**killer sudoku samurai 65 puzzles volume 1 by djape goodreads** - Feb 23 2023

web killer sudoku samurai book read reviews from world s largest community for readers

**killer sudoku samurai 65 puzzles djape amazon fr livres** - Sep 20 2022

web be warned all killer samurai sudoku puzzles are very difficult they are split into three levels of difficulty but be prepared to spend hours on each puzzle in this first volume of the new series you will find 55 killer sudoku samurai 5 killer samurai with all operators and 5 zero killer sudoku samurai

**killer sudoku samurai 65 puzzles paperback tattered cover** - Jan 25 2023

web welcome to a new series of books with the most difficult sudoku variants puzzles be warned all killer samurai sudoku puzzles are very difficult they are split into three levels of difficulty but be prepared to spend hours on each puzzle in this first volume of the new series you will find 55 killer sudoku samurai5 killer samurai with all operatorsand 5

**killer sudoku samurai 65 puzzles paperback barnes noble** - Dec 24 2022

web oct 30 2017 welcome to a new series of books with the most difficult sudoku variants puzzles be warned all killer samurai sudoku puzzles are very difficult

*buy killer sudoku samurai 65 puzzles killer samurai sudoku* - May 29 2023

web nov 9 2021 shop for killer sudoku samurai 65 puzzles killer samurai sudoku paperback october 30 2017 online at an affordable price in ubuy turkey get special offers deals discounts fast delivery options on international shipping with every purchase on ubuy 1979131430

killer sudoku samurai 65 puzzles 10 amazon com au - Aug 20 2022

web select the department you want to search in

killer sudoku samurai 65 puzzles killer samurai sudoku - Sep 01 2023

web oct 30 2017 be warned all killer samurai sudoku puzzles are very difficult they are split into three levels of difficulty but be prepared to spend hours on each puzzle in this first volume of the new series you will find

killer samurai sudoku 75 puzzles amazon com - Mar 15 2022

web sep 8 2008 paperback september 8 2008 volume 2 of the highly successful killer samurai book this book contains 75 of the most challenging sudoku variation puzzles killer samurai even including zero killer samurai

[9781979131438 killer sudoku samurai 65 puzzles killer](#) - Nov 22 2022

web abebooks com killer sudoku samurai 65 puzzles killer samurai sudoku 9781979131438 by djape and a great selection of similar new used and collectible books available now at great prices 9781979131438 killer sudoku samurai 65 puzzles killer samurai sudoku djape 1979131430 abebooks

**amazon killer sudoku samurai 65 puzzles djape sudoku** - Apr 15 2022

web oct 30 2017 amazon killer sudoku samurai 65 puzzles amazon djape killer sudoku sudoku 9x9 6x6 and samurai puzzles - Oct 22 2022

[killer sudoku sudoku 9x9 6x6 and samurai puzzles](#) - Oct 22 2022

web sudoku puzzles samurai sudoku killer samurai sudoku complete puzzles 6x6 or 9x9 and use the puzzle solver find out about the history and origins of sudoku

**basic electrical engineering paperback i anwani m l anwani** - Dec 13 2022

web basic electrical engineering by i anwani m l anwani from flipkart com only genuine products 30 day replacement guarantee free shipping cash on delivery

*basic electrical engineering book by m l anwani* - Apr 05 2022

web buy basic electrical engineering book online at low price in india on jainbookdepot com basic electrical engineering by m l anwani

**m l anwani books buy m l anwani books online at best** - Feb 03 2022

web m l anwani books buy m l anwani books at india s best online shopping store check price in india and shop online free shipping cash on delivery best offers

[basic electrical engineering by anwani goodreads](#) - Jul 20 2023

web anwani 4 00 5 ratings 2 reviews basic electrical engineering through questions and answers paperback

[basic electrical engineering through questions and answers](#) - Mar 16 2023

web get this from a library basic electrical engineering through questions and answers including electronics m l anwani i anwani

**m l anwani books store online flipkart** - Sep 10 2022

web basic electrical engineering paperback m l anwani 424 550 22 off did you find what you were looking for yes no reviews for popular m l anwani books 1 basic shop practicals in el 4 4 44 ratings 3 reviews 649 author m l anwani 476 pages language english most helpful review 5 must buy very helpful

**basic electrical engineering m l anwani** - Mar 04 2022

web oct 19 2021 basic electrical engineering m l anwani published october 19 2021 at 400 510 in basic electrical engineering m l anwani

**basic electrical engineering by ml anwani full pdf** - Aug 09 2022

web basic electrical engineering sahdev sk 2015 attuned to the needs of undergraduate students of engineering in their first year basic electrical engineering enables them to build a strong foundation in the subject a large number of real world examples illustrate the applications of complex theories

basic electrical engineering vol 1 pdf google drive - Apr 17 2023

web view details request a review learn more

**basic electrical engineering by m l anwani paperback** - Feb 15 2023

web aug 12 2018 basic electrical engineering by m l anwani paperback paperback 12 august 2018 the book has been distributed in four semesters each semester is of six months each semester contains theory questions objective type questions and previous examination questions with answers

*basic electrical engineering paperback 1 january 2017* - Jan 14 2023

web amazon in buy basic electrical engineering book online at best prices in india on amazon in read basic electrical engineering book reviews author details and more at amazon in free delivery on qualified orders

*basic electrical engineering by ml anwani pdf ams istanbul edu* - May 18 2023

web basic electrical engineering by ml anwani 1 basic electrical engineering by ml anwani basic electrical engineering book by ml anwani pdf book basic electrical engineering book by ml anwani basic electrical and electronics engineering books pdf basic electrical engineering by ml basic electrical engineering introduction

basic electrical engineering nagrath and kothari free ebook - Jul 08 2022

web basic electrical engineering tata mcgraw hill education designed specifically for undergraduate students of electronics and electrical engineering and its related disciplines this book offers an excellent coverage of all essential topics and provides a

**basic electrical engineering m l anwani google books** - Aug 21 2023

web basic electrical engineering m l anwani dhanpat rai sons 1978 electrical engineering 565 pages 0 reviews reviews aren t verified but google checks for and

**basic electrical engineering anwani mcf strathmore** - Jan 02 2022

web basic electrical engineering and electronic for electrician wireman junior technical schools electrical supervisors course 1st class competency certificate and 1st and 2nd year electrical engineering course

*basic electrical engineering i t i paperback m l anwani* - Nov 12 2022

web 750 i sold out this item is currently out of stock authors m l anwani i anwani read more highlights author m l anwani i anwani 748 pages language english publisher dhanpat rai co read all details seller ecomrevenue 4 4 7 days replacement policy see other sellers description

*istanbul technical university electrical electronics engineering* - Oct 11 2022

web the electrical engineering program offers two different options 30 english or 100 english mathematics and basic sciences 33 21 6 basic engineering 33 21 6 engineering design 61 39 8 humanitarian and social sciences 26 17 0 freshman year 2nd semester elective courses

**electrical engineering electronics ebooks scribd** - May 06 2022

web from the basics of wiring and electrical engineering 101 to electromagnetic theory and nikola tesla s experiments scribd s selection of new and bestselling electrical engineering and electronics ebooks delve deep find all of the fascinating theories and how to guides that you re eager to explore

basic electrical engineering by ml anwani download only ams - Jun 19 2023

web basic electrical engineering basic electrical engineering through questions and answers a textbook of electrical technology basic electrical and electronics engineering for electrician wireman junior technical schools electrical supervisors course 1st class competency certificate and 1st and 2nd year electrical

**technical publication basic electrical engineering download** - Jun 07 2022

web dec 27 2020 â right here we have countless book basic electrical engineering by ml anwani free technical and scientific knowledge of future electrical engineers updated and upgraded in t view pdf

**foundations of information and knowledge systems** - Jul 02 2022

web jun 1 2001 information systems knowledge foundations definitions and applications authors lee a freeman university of michigan dearborn abstract and

foundations of information and knowledge systems 12th - Jun 01 2022

web pdf on jan 1 2015 thomas lukasiewicz and others published foundations of information and knowledge systems selected papers from foiks 2012 preface

**the foundations of information systems research and** - Dec 27 2021

web theory and foundations jesús medina 2018 05 30 this three volume set ccis 853 855 constitutes the proceedings of the 17th international conference on information

**foundations of information and knowledge systems** - Oct 25 2021

web oct 16 2023 the women in recycling foundation worf is led by young women committed to promoting a healthy

environment for women young women and women

foundations of information and knowledge systems - Aug 15 2023

web this book constitutes the refereed proceedings of the 11th international symposium on foundations of information and knowledge systems foiks 2020 held in dortmund

**pdf foundations of information and knowledge systems** - Mar 30 2022

web oct 14 2023 the journal focuses on knowledge systems and advanced information systems including their theoretical foundations infrastructure and enabling

**foundations of information and knowledge systems guide** - Jan 08 2023

web foundations of information and knowledge systems 4th international symposium foiks 2006 budapest hungary february 14 17 2006 proceedings home conference

**foiks foundations of information and knowledge systems** - Feb 26 2022

web oct 30 2017 ict development including computer programming knowledge engineering and project management the ideas in this book emerge from five decades of experience

*mis 02 foundations of information systems ppt slideshare* - Nov 25 2021

web oct 13 2023 new systems and information engineering endowed professorships will push boundaries for benefit of society by susan klobuchar sbs5g virginia edu the

**foundations of information and knowledge systems springer** - Dec 07 2022

web mar 3 2016 this book constitutes the proceedings of the 9th international symposium on foundations of information and knowledge systems foiks 2016 held in linz

**the women in recycling foundation new program launch** - Aug 23 2021

web 2 days ago 0 04 1 00 on saturday millions of americans will be in the path of a rare ring of fire annular solar eclipse visible over multiple states in the u s nasa is streaming

*foundations of information and knowledge systems* - Apr 11 2023

web foundations of information and knowledge systems guide proceedings browse proceedings home browse by title proceedings foundations of information and

**foundations of information and knowledge systems springer** - Mar 10 2023

web foundations of information and knowledge systems 11th international symposium foiks 2020 dortmund germany february 17 21 2020 proceedings

**knowledge and information systems home springer** - Jan 28 2022

web feb 15 2011 mis 02 foundations of information systems feb 15 2011 0 likes 9 139 views download now download to read

offline business technology the series of

[foundations of information and knowledge systems guide](#) - Feb 09 2023

web this book constitutes the proceedings of the 8th international symposium on foundations of information and knowledge systems foiks 2014 held in bordeaux france in

[foundations of information and knowledge systems google](#) - Oct 05 2022

web foiks 2023 what is the foundation of information and knowledge system foiks is an event that occurs once every two years in order to allow reasearchers to come

**foiks resource foundations of information and knowledge** - Aug 03 2022

web jul 10 2022 this book constitutes the refereed proceedings of the 12th international symposium on foundations of information and knowledge systems foiks 2022

**tisax driving information security in the automotive industry** - Jul 22 2021

web oct 16 2023 in our ongoing effort to ensure the security of federal student aid s data systems every organization enrolled for a student aid internet gateway saig account

[\*foundations of information and knowledge systems\*](#) - Jun 13 2023

web these include the application of ideas theories or methods from specific disciplines to information and knowledge systems such as discrete mathematics logic and algebra

[active confirmation of tg numbers saig mailboxes and](#) - May 20 2021

[foiks 2024 github pages](#) - Sep 04 2022

web foundations of information and knowledge systems 9783031113208 9783031113215 vitalsource foundations of information and knowledge systems 12th international

**pdf information systems knowledge foundations** - Apr 30 2022

web mar 3 2014 deadline foiks 2018 10th international symposium on foundations of information and knowledge systems may 14 2018 may 18 2018 budapest

**foundations of information and knowledge systems springer** - Sep 16 2023

web this book constitutes the refereed proceedings of the 12th international symposium on foundations of information and knowledge systems foiks 2022 held in helsinki finland in june 2022 the 13 full papers presented were carefully reviewed and selected

[jefferson scholars foundation establishes first distinguished](#) - Sep 23 2021

web the catalog includes criteria for assessing the information security of automotive supply chain organizations based on iso

iec 27001 information security management

**foundations of information and knowledge systems** - May 12 2023

web foundations of information and knowledge systems ivan varzinczak ed lncs 13388 foundations of information and knowledge systems 12th international symposium

**foiks 2022 june 20 23 helsinki finland** - Jul 14 2023

web the foiks 2018 volume provides a biennial forum for presenting and discussing theoretical and applied research on information and knowledge systems foundations of

*foundations of information and knowledge systems springer* - Nov 06 2022

web jan 12 2023 foiks 2024 solicits original contributions as well as extensions of previously published contributions dealing with any foundational aspect of information and

**watch solar eclipse livestream saturday s rare ring of fire event** - Jun 20 2021