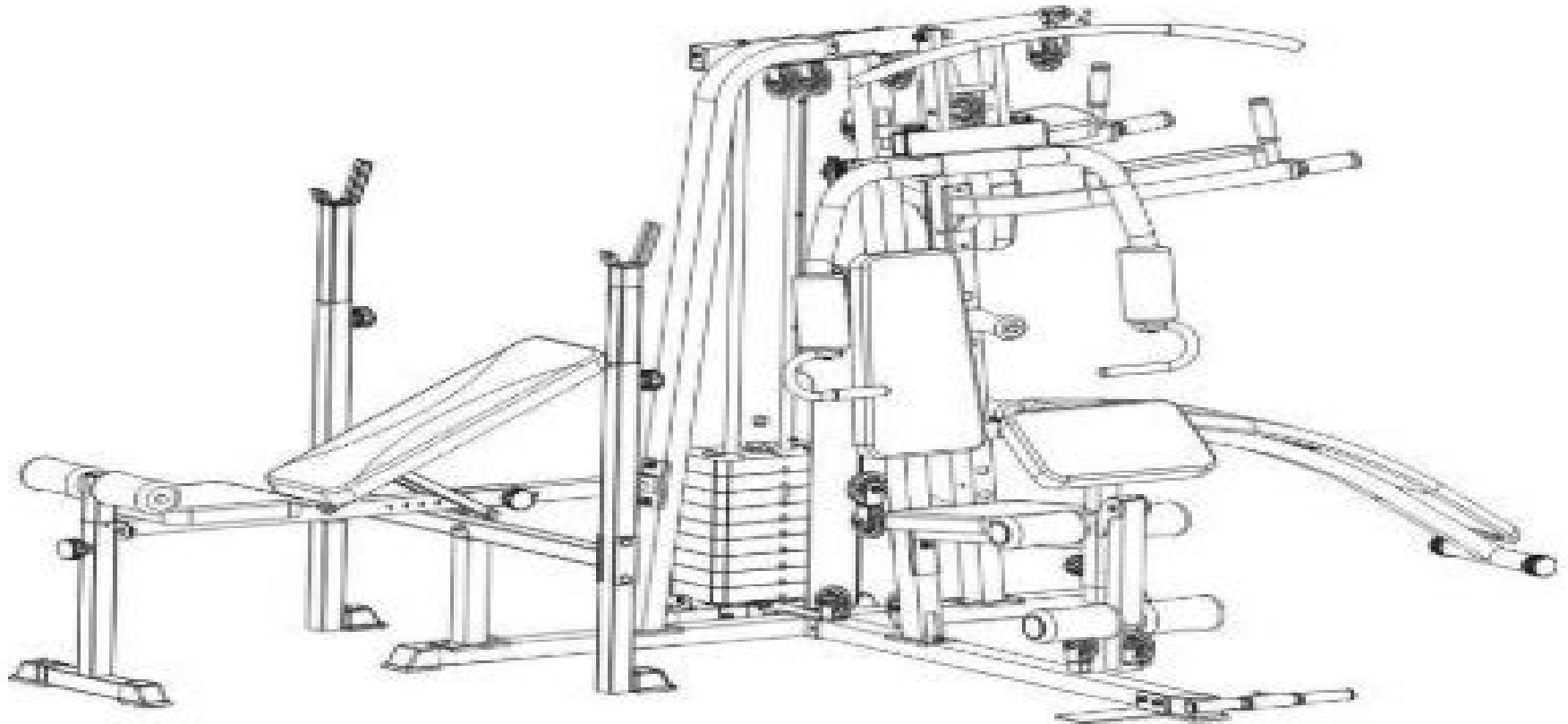


# GYM MULTI STATION USER MANUAL



Product may vary slightly from the item pictured due to model upgrades

Read all instructions carefully before using this product. Retain this owner's manual for future reference.

# Multi Station Exercise Machine 1998 Owners Manual

**Daniel F McAuley**



## **Multi Station Exercise Machine 1998 Owners Manual:**

Embark on a transformative journey with Written by is captivating work, **Multi Station Exercise Machine 1998 Owners Manual** . This enlightening ebook, available for download in a convenient PDF format Download in PDF: , invites you to explore a world of boundless knowledge. Unleash your intellectual curiosity and discover the power of words as you dive into this riveting creation. Download now and elevate your reading experience to new heights .

[https://staging.conocer.cide.edu/files/detail/Download\\_PDFS/genetics%20of%20natural%20populations%20the%20continuing%20importance%20of%20theodosius%20dobzhansky.pdf](https://staging.conocer.cide.edu/files/detail/Download_PDFS/genetics%20of%20natural%20populations%20the%20continuing%20importance%20of%20theodosius%20dobzhansky.pdf)

## **Table of Contents Multi Station Exercise Machine 1998 Owners Manual**

1. Understanding the eBook Multi Station Exercise Machine 1998 Owners Manual
  - The Rise of Digital Reading Multi Station Exercise Machine 1998 Owners Manual
  - Advantages of eBooks Over Traditional Books
2. Identifying Multi Station Exercise Machine 1998 Owners Manual
  - Exploring Different Genres
  - Considering Fiction vs. Non-Fiction
  - Determining Your Reading Goals
3. Choosing the Right eBook Platform
  - Popular eBook Platforms
  - Features to Look for in an Multi Station Exercise Machine 1998 Owners Manual
  - User-Friendly Interface
4. Exploring eBook Recommendations from Multi Station Exercise Machine 1998 Owners Manual
  - Personalized Recommendations
  - Multi Station Exercise Machine 1998 Owners Manual User Reviews and Ratings
  - Multi Station Exercise Machine 1998 Owners Manual and Bestseller Lists
5. Accessing Multi Station Exercise Machine 1998 Owners Manual Free and Paid eBooks
  - Multi Station Exercise Machine 1998 Owners Manual Public Domain eBooks
  - Multi Station Exercise Machine 1998 Owners Manual eBook Subscription Services

- Multi Station Exercise Machine 1998 Owners Manual Budget-Friendly Options
- 6. Navigating Multi Station Exercise Machine 1998 Owners Manual eBook Formats
  - ePub, PDF, MOBI, and More
  - Multi Station Exercise Machine 1998 Owners Manual Compatibility with Devices
  - Multi Station Exercise Machine 1998 Owners Manual Enhanced eBook Features
- 7. Enhancing Your Reading Experience
  - Adjustable Fonts and Text Sizes of Multi Station Exercise Machine 1998 Owners Manual
  - Highlighting and Note-Taking Multi Station Exercise Machine 1998 Owners Manual
  - Interactive Elements Multi Station Exercise Machine 1998 Owners Manual
- 8. Staying Engaged with Multi Station Exercise Machine 1998 Owners Manual
  - Joining Online Reading Communities
  - Participating in Virtual Book Clubs
  - Following Authors and Publishers Multi Station Exercise Machine 1998 Owners Manual
- 9. Balancing eBooks and Physical Books Multi Station Exercise Machine 1998 Owners Manual
  - Benefits of a Digital Library
  - Creating a Diverse Reading Collection Multi Station Exercise Machine 1998 Owners Manual
- 10. Overcoming Reading Challenges
  - Dealing with Digital Eye Strain
  - Minimizing Distractions
  - Managing Screen Time
- 11. Cultivating a Reading Routine Multi Station Exercise Machine 1998 Owners Manual
  - Setting Reading Goals Multi Station Exercise Machine 1998 Owners Manual
  - Carving Out Dedicated Reading Time
- 12. Sourcing Reliable Information of Multi Station Exercise Machine 1998 Owners Manual
  - Fact-Checking eBook Content of Multi Station Exercise Machine 1998 Owners Manual
  - Distinguishing Credible Sources
- 13. Promoting Lifelong Learning
  - Utilizing eBooks for Skill Development
  - Exploring Educational eBooks
- 14. Embracing eBook Trends

- Integration of Multimedia Elements
- Interactive and Gamified eBooks

### **Multi Station Exercise Machine 1998 Owners Manual Introduction**

In this digital age, the convenience of accessing information at our fingertips has become a necessity. Whether its research papers, eBooks, or user manuals, PDF files have become the preferred format for sharing and reading documents. However, the cost associated with purchasing PDF files can sometimes be a barrier for many individuals and organizations. Thankfully, there are numerous websites and platforms that allow users to download free PDF files legally. In this article, we will explore some of the best platforms to download free PDFs. One of the most popular platforms to download free PDF files is Project Gutenberg. This online library offers over 60,000 free eBooks that are in the public domain. From classic literature to historical documents, Project Gutenberg provides a wide range of PDF files that can be downloaded and enjoyed on various devices. The website is user-friendly and allows users to search for specific titles or browse through different categories. Another reliable platform for downloading Multi Station Exercise Machine 1998 Owners Manual free PDF files is Open Library. With its vast collection of over 1 million eBooks, Open Library has something for every reader. The website offers a seamless experience by providing options to borrow or download PDF files. Users simply need to create a free account to access this treasure trove of knowledge. Open Library also allows users to contribute by uploading and sharing their own PDF files, making it a collaborative platform for book enthusiasts. For those interested in academic resources, there are websites dedicated to providing free PDFs of research papers and scientific articles. One such website is Academia.edu, which allows researchers and scholars to share their work with a global audience. Users can download PDF files of research papers, theses, and dissertations covering a wide range of subjects. Academia.edu also provides a platform for discussions and networking within the academic community. When it comes to downloading Multi Station Exercise Machine 1998 Owners Manual free PDF files of magazines, brochures, and catalogs, Issuu is a popular choice. This digital publishing platform hosts a vast collection of publications from around the world. Users can search for specific titles or explore various categories and genres. Issuu offers a seamless reading experience with its user-friendly interface and allows users to download PDF files for offline reading. Apart from dedicated platforms, search engines also play a crucial role in finding free PDF files. Google, for instance, has an advanced search feature that allows users to filter results by file type. By specifying the file type as "PDF," users can find websites that offer free PDF downloads on a specific topic. While downloading Multi Station Exercise Machine 1998 Owners Manual free PDF files is convenient, its important to note that copyright laws must be respected. Always ensure that the PDF files you download are legally available for free. Many authors and publishers voluntarily provide free PDF versions of their work, but its essential to be cautious and verify the authenticity of the source

before downloading Multi Station Exercise Machine 1998 Owners Manual. In conclusion, the internet offers numerous platforms and websites that allow users to download free PDF files legally. Whether its classic literature, research papers, or magazines, there is something for everyone. The platforms mentioned in this article, such as Project Gutenberg, Open Library, Academia.edu, and Issuu, provide access to a vast collection of PDF files. However, users should always be cautious and verify the legality of the source before downloading Multi Station Exercise Machine 1998 Owners Manual any PDF files. With these platforms, the world of PDF downloads is just a click away.

### **FAQs About Multi Station Exercise Machine 1998 Owners Manual Books**

How do I know which eBook platform is the best for me? Finding the best eBook platform depends on your reading preferences and device compatibility. Research different platforms, read user reviews, and explore their features before making a choice. Are free eBooks of good quality? Yes, many reputable platforms offer high-quality free eBooks, including classics and public domain works. However, make sure to verify the source to ensure the eBook credibility. Can I read eBooks without an eReader? Absolutely! Most eBook platforms offer webbased readers or mobile apps that allow you to read eBooks on your computer, tablet, or smartphone. How do I avoid digital eye strain while reading eBooks? To prevent digital eye strain, take regular breaks, adjust the font size and background color, and ensure proper lighting while reading eBooks. What the advantage of interactive eBooks? Interactive eBooks incorporate multimedia elements, quizzes, and activities, enhancing the reader engagement and providing a more immersive learning experience. Multi Station Exercise Machine 1998 Owners Manual is one of the best book in our library for free trial. We provide copy of Multi Station Exercise Machine 1998 Owners Manual in digital format, so the resources that you find are reliable. There are also many Ebooks of related with Multi Station Exercise Machine 1998 Owners Manual. Where to download Multi Station Exercise Machine 1998 Owners Manual online for free? Are you looking for Multi Station Exercise Machine 1998 Owners Manual PDF? This is definitely going to save you time and cash in something you should think about. If you trying to find then search around for online. Without a doubt there are numerous these available and many of them have the freedom. However without doubt you receive whatever you purchase. An alternate way to get ideas is always to check another Multi Station Exercise Machine 1998 Owners Manual. This method for see exactly what may be included and adopt these ideas to your book. This site will almost certainly help you save time and effort, money and stress. If you are looking for free books then you really should consider finding to assist you try this. Several of Multi Station Exercise Machine 1998 Owners Manual are for sale to free while some are payable. If you arent sure if the books you would like to download works with for usage along with your computer, it is possible to download free trials. The free guides make it easy for someone to free access online library for download books to

your device. You can get free download on free trial for lots of books categories. Our library is the biggest of these that have literally hundreds of thousands of different products categories represented. You will also see that there are specific sites catered to different product types or categories, brands or niches related with Multi Station Exercise Machine 1998 Owners Manual. So depending on what exactly you are searching, you will be able to choose e books to suit your own need. Need to access completely for Campbell Biology Seventh Edition book? Access Ebook without any digging. And by having access to our ebook online or by storing it on your computer, you have convenient answers with Multi Station Exercise Machine 1998 Owners Manual To get started finding Multi Station Exercise Machine 1998 Owners Manual, you are right to find our website which has a comprehensive collection of books online. Our library is the biggest of these that have literally hundreds of thousands of different products represented. You will also see that there are specific sites catered to different categories or niches related with Multi Station Exercise Machine 1998 Owners Manual So depending on what exactly you are searching, you will be able to choose ebook to suit your own need. Thank you for reading Multi Station Exercise Machine 1998 Owners Manual. Maybe you have knowledge that, people have search numerous times for their favorite readings like this Multi Station Exercise Machine 1998 Owners Manual, but end up in harmful downloads. Rather than reading a good book with a cup of coffee in the afternoon, instead they juggled with some harmful bugs inside their laptop. Multi Station Exercise Machine 1998 Owners Manual is available in our book collection an online access to it is set as public so you can download it instantly. Our digital library spans in multiple locations, allowing you to get the most less latency time to download any of our books like this one. Merely said, Multi Station Exercise Machine 1998 Owners Manual is universally compatible with any devices to read.

### **Find Multi Station Exercise Machine 1998 Owners Manual :**

[genetics of natural populations the continuing importance of theodosius dobzhansky](#)

[genetic engineering introducing issues with opposing viewpoints](#)

**genuine value the john deere journey**

**geometry a blended approach**

[geology of the porphyry copper deposits southwestern north america](#)

**geometric scattering theory**

**geometric greece.**

[geometry for grades k-6 readings from the arithmetic teacher](#)

**gentle giant octopus**

**genetic linguistics essays on theory and method**



[genesis unveiled](#)

**geometry patterns math minders grade 1 - 2**

**genetics of candida**

[gentle persuader](#)

**geography wkbk ii - the west transformed**

**Multi Station Exercise Machine 1998 Owners Manual :**

**acilim turkce calisma kitabi 2 unit 7 pdf gccca** - Aug 17 2023

web mar 30 2023 useful you have remained in right site to begin getting this info get the acilim turkce calisma kitabi 2 unit 7 pdf link that we present here and check out the link you could buy lead acilim turkce calisma kitabi 2 unit 7 pdf or get it as soon as feasible you could speedily download this acilim turkce calisma kitabi 2 unit 7 pdf after

*acilim turkce calisma kitabi 2 unit 7 kelliemay* - Feb 28 2022

web acilim turkce calisma kitabi 2 unit 7 1 8 downloaded from kelliemay com on november 27 2022 by guest acilim turkce calisma kitabi 2 unit 7 eventually you will completely discover a additional experience and talent by spending more cash yet when get you understand that you require to get those every needs later than having significantly cash

**acilim turkce calisma kitabi 2 unit 7 home rightster com** - Nov 08 2022

web june 29th 2018 key acilim turkce calisma kitabi 2 unit 7 acs final exam answers achieve 3000 hack in points across the centuries grade7 teachers edition acme motori vt 88 ace

**yedi İklim türkçe a2 set ders kitabı Çalışma kitabı cd** - May 14 2023

web 15 00 12 00 sepete ekle 20 yedi İklim türkçe a1 set ders kitabı Çalışma kitabı cd yunus emre enstitüsü yunus emre enstitüsü 30 00 24 00 sepete ekle

*acilim turkce calisma kitabi 2 unit 7 pdf uniport edu* - Aug 05 2022

web mar 18 2023 download and install the acilim turkce calisma kitabi 2 unit 7 it is extremely easy then in the past currently we extend the link to buy and make bargains to download and install acilim turkce calisma kitabi 2 unit 7 correspondingly simple introduction to the grammar of english rodney huddleston 1984 09 27 written for

[acilim turkce ders kitabı 1 turkish learning textbook](#) - Jun 03 2022

web 5 0 out of 5 stars acilim turkce ders kitabı 1 turkish learning textbook reviewed in the united states on march 29 2013 verified purchase great book that has a companion series for the learner using this in my language class and it has more examples for conversation that others very good text

[acilim turkce calisma kitabi 2 unit 7 pdf free](#) - Jan 30 2022

web register here to get acilim turkce calisma kitabi 2 unit 7 book file pdf file acilim turkce calisma kitabi 2 unit 7 book free download pdf at our ebook library this book have some digitalformats such us kindle epub ebook paperback and another formats here is the complete pdf library acilim turkce calisma kitabi 2 unit 7 pdf download

[acilim turkce calisma kitabi 2 unit 7 free pdf books](#) - Jul 16 2023

web acilim turkce calisma kitabi 2 unit 7 pdf download title acilim turkce ders kitabi 2 turkish learning textbook author tuncay ozturk sezgin akcay publisher dilset pages 121 published 2008 isbn 10 9944450464 gokkusagi turkce calisma kitabi 2a key mar 2th 2021 rsa archer grc platform

*acilim turkce calisma kitabi 2 unit 7 full pdf* - May 02 2022

web acilim turkce calisma kitabi 2 unit 7 grade 2 unit 7 teaching resources wordwall net jun 07 2022 everyday math series vision 2 unit 7 test pdf identity theft computer virus scribd oct 31 2021 web 7 by helping people find a new job 1 a binge drinking b addiction c homelessness 2 a poverty b gangs c poor 3 a

**acilim turkce calisma kitabi 2 unit 7 test naf** - Oct 07 2022

web jun 21 2023 browse the acilim turkce calisma kitabi 2 unit 7 join that we have the resources for here and check out the link finally you will categorically discover a supplementary experience and performance by investing extra funds

**acilim turkce calisma kitabi 2 unit 7 support tautrust org** - Dec 09 2022

web acilim turkce calisma kitabi 2 unit 7 slasch de acilim turkce calisma kitabi 2 fdhnet de gokkusagi turkce ders kitabi 1 a4 pdf scribd com acilim turkce calisma kitabi 1 unit 6 dicapo de ademco vista 20p installation manual pdf anjaka de acilim turkce calisma kitabi 2 unit 7 wwhome de acilim turkce calisma kitabi 2 unit 7 blamme de

**acilim turkce calisma kitabi 2 unit 7 pdf ftp lemongrassfusion** - Mar 12 2023

web may 25 2023 acilim turkce calisma kitabi 2 unit 7 is available in our book collection an online access to it is set as public so you can get it instantly our digital library hosts in multiple locations allowing you to get the most less

*acilim turkce calisma kitabi 2 unit 7 book* - Feb 11 2023

web the book covers ten chapters and in each chapter unit all exercises are given at 3 levels such as beginner elementary pre intermediate intermediate and upper intermediate advanced most exercises are chosen to suit the level of the topic

[acilim turkce calisma kitabi 2 unit 7 download only wef tamu](#) - Apr 13 2023

web acilim turkce calisma kitabi 2 unit 7 1 acilim turkce calisma kitabi 2 unit 7 getting the books acilim turkce calisma kitabi 2 unit 7 now is not type of challenging means you could not abandoned going subsequently book increase or library or borrowing from your friends to right to use them this is an unquestionably easy means to specifically

*acilim turkce calisma kitabi 2 unit 7 full pdf* - Jun 15 2023

web acilim turkce calisma kitabi 2 unit 7 whistleblowing for change 38 units in the book each of which contains 6 phrasal

verbs given in an alphabetical order there is an exercises section at the end of every unit and two revision tests after every five units you will also find a general revision test with 100 questions

**acilim turkce calisma kitabi 2 unit 7 2022** - Sep 06 2022

web info get the acilim turkce calisma kitabi 2 unit 7 member that we manage to pay for here and check out the link you could buy lead acilim turkce calisma kitabi 2 unit 7 or get it as soon as feasible you could speedily download this acilim turkce calisma kitabi 2 unit 7 after getting deal so when you require the ebook swiftly you can

**acilim turkce calisma kitabi 2 unit 7 uniport edu** - Apr 01 2022

web jun 12 2023 acilim turkce calisma kitabi 2 unit 7 is available in our book collection an online access to it is set as public so you can get it instantly our book servers spans in multiple countries allowing you to get the most less latency time to download any of our books like this one kindly say the acilim turkce calisma kitabi 2 unit 7 is

**acilim turkce calisma kitabi 2 unit 7 2022 grpr esferize** - Jan 10 2023

web acilim turkce calisma kitabi 2 unit 7 3 3 68 başka bir açıdan bakıldığında öncesinde ve sonrasında ve paris haricinde gerçekleşenler i bir diğerine bağlayan bir düğüm noktası olarak da görülebilir paris te olan bitenlerle anılmakla beraber 68 malum türkiye de dahil dünyanın pek çok yerinde akis buldu kürt tarihi

acilim turkce calisma kitabi 2 unit 7 download only - Sep 18 2023

web 4 acilim turkce calisma kitabi 2 unit 7 2022 09 09 geleneĞİ ve aşık karŞılaŞmaları İbrahim kibris 73 eflatun cem gÜney ve nakİ tezel İn derlemİŞ olduĞu halk masallarında İmgesel anlatım lütfi sezen 105 erzurum da halk takvİMİ İle İlgİLİ İnanma ve uygulamalar mehmet solmaz 111 dÖrtdİvan da 1980 2000 yılları

**acilim turkce calisma kitabi 2 unit 7 2022** - Jul 04 2022

web acilim turkce calisma kitabi 2 unit 7 5 5 answers otto harrassowitz verlag this book offers an accessible practical and engaging guide that provides sample instructional activities supported by theoretical background information with a focus on the nature of the instructional process in relation to several variables it approaches instructional

el pequeño y algo chiflado frank einstein frank einstein and - May 08 2022

web frank einstein está chiflado tanto que mira lo que ha inventado esta vez un día mientras frank hacía un experimento un poco raro un rayo cayó sobre su laboratorio y dio

**el pequeño y algo chiflado frank einstein penguin libros** - Jun 09 2022

web frank einstein es un inteligente jovencito que ha heredado de su abuelo al la pasión por la ciencia y los inventos un día una chispa procedente de una tormenta eléctrica hace que el último invento de frank un cerebro inteligente capaz de pensar por sí mismo cobre vida

*el pequeño y algo chiflado frank einstein serie frank einstein* - Jan 16 2023

web frank einstein está chiflado tanto que mira lo que ha inventado esta vez un día mientras frank hacía un experimento un poco raro un rayo cayó sobre su laboratorio y dio vida a su último invento los robots klink y klank aunque no el pequeño y algo chiflado frank einstein open library - Sep 12 2022

web el pequeño y algo chiflado frank einstein by jon scieszka and brian biggs 0 ratings 3 want to read 0 currently reading 0 have read

frank einstein 1 el pequeño y algo chiflado frank einstein - May 20 2023

web sinopsis expandir contraer sinopsis frank einstein está chiflado tanto que mira lo que ha inventado esta vez un día mientras frank hacía un experimento un poco raro un rayo cayó sobre su laboratorio y dio vida a su último invento los robots klink y klank

**frank einstein 1 el pequeño y algo chiflado frank einstein** - Jan 04 2022

web frank einstein 1 el pequeño y algo chiflado frank einstein ebook scieszka jon amazon com mx tienda kindle

*frank einstein 1 el pequeño y algo chiflado frank einstein* - Aug 11 2022

web alfaguara infantil mayo 2015 frank einstein está chiflado tanto que mira lo que ha inventado esta vez pertenece a la serie frank einstein descripción detalles del producto un día mientras frank hacía un experimento un poco raro un rayo cayó sobre su laboratorio y dio vida a su último invento los robots klink y klank

**frank einstein 1 el pequeño frank einstein overdrive** - Jul 22 2023

web may 14 2015 frank einstein está chiflado tanto que mira lo que ha inventado esta vez un día mientras frank hacía un experimento un poco raro un rayo cayó sobre su laboratorio y dio vida a su último invento los robots klink y klank aunque no son pa

**el pequeño y algo chiflado frank einstein 1 serie frank einstein** - Feb 17 2023

web frank einstein es un inteligente jovencito que ha heredado de su abuelo al la pasión por la ciencia y los inventos un día una chispa procedente de una tormenta eléctrica hace que el último invento de frank un cerebro inteligente capaz de pensar por sí mismo cobre vida

el pequeño y algo chiflado frank einstein serie frank einstein - Nov 14 2022

web destinatario conservamos tus datos para las finalidades anteriormente mencionadas y no los cedemos a terceros puedes ver más detalles aquí derechos acceder rectificar y suprimir los datos así como otros derechos como se explica en nuestra política que puede consultar en el siguiente enlace

el pequeño y algo chiflado frank einstein frank einstein 1 by - Apr 07 2022

web oct 31 2017 un día mientras frank hacía un experimento un poco raro un rayo cayó sobre su laboratorio y dio vida a su último invento los robots klink y klank aunque no son para nada lo que frank imaginaba con la ayuda de estos robots

estará chupado crear un motor antimateria y ganar con él el premio de ciencias de midville

**el pequeño y algo chiflado frank einstein serie frank einstein** - Mar 18 2023

web un día mientras frank hacía un experimento un poco raro un rayo cayó sobre su laboratorio y dio vida a su último invento los robots klink y klank aunque no son para nada lo que frank imaginaba con la ayuda de estos robots estará chupado crear un motor antimateria y ganar con él el premio de ciencias de midville

*frank einstein el pequeño y algo chiflado frank einstein and* - Jul 10 2022

web frank einstein el pequeño y algo chiflado frank einstein and the antimatter mot frank einstein 1 scieszka jon amazon com tr kitap

**el pequeño y algo chiflado frank einstein serie frank einstein 1** - Jun 21 2023

web un día mientras frank hacía un experimento un poco raro un rayo cayó sobre su laboratorio y dio vida a su último invento los robots klink y klank aunque no son para nada lo que frank imaginaba con la ayuda de estos robots estará chupado crear un motor antimateria y ganar con él el premio de ciencias de midville

**el pequeño y algo chiflado frank einstein serie frank einstein** - Mar 06 2022

web el pequeño y algo chiflado frank einstein serie frank einstein 1 scieszka jon amazon com au books

**el pequeño y algo chiflado frank einstein frank einstein 1** - Feb 05 2022

web el libro infantil el pequeño y algo chiflado frank einstein frank einstein 1 en casa del libro descubre las mejores ofertas y envíos gratis

**el pequeño y algo chiflado frank einstein frank einstein and** - Aug 23 2023

web el pequeño y algo chiflado frank einstein frank einstein and the antimatter motor book 1 serie frank einstein scieszka jon amazon com tr kitap

**el pequeño y algo chiflado frank einstein 1 serie frank einstein** - Dec 15 2022

web abebooks com el pequeño y algo chiflado frank einstein 1 serie frank einstein spanish edition 9788420419077 by scieszka jon and a great selection of similar new used and collectible books available now at great prices

*el pequeño y algo chiflado frank einstein serie frank einstein* - Oct 13 2022

web us 9 91 4 usado de us 9 91 frank einstein está chiflado tanto que mira lo que ha inventado esta vez un día mientras frank hacía un experimento un poco raro un rayo cayó sobre su laboratorio y dio vida a su último invento los robots klink y klank

**amazon com el pequeño y algo chiflado frank einstein frank** - Apr 19 2023

web el pequeño y algo chiflado frank einstein frank einstein and the antimatter motor serie frank einstein spanish edition tapa blanda ilustrado 31 octubre 2017 edición en español de jon scieszka author

**9 popular career counseling theories explained unremot** - Jun 15 2023

web dec 10 2021 6 career counselling process career development theory career development theory examines different methods for professional growth improving career trajectory and job satisfaction different theories will help you find your career values strengths weaknesses and desired career paths

[career counseling theories flashcards quizlet](#) - Nov 08 2022

web career counseling theories get a hint person environment theories click the card to flip these theories focus on how worker traits can be matched to work requirements includes the parsonian approach the matching model and the trait and factor approach click the card to flip 1 40

**career counseling final exam flashcards quizlet** - Feb 28 2022

web start studying career counseling final exam learn vocabulary terms and more with flashcards games and other study tools

**14 career counseling assessments tests for your students** - Oct 19 2023

web may 21 2023 10 best career counseling assessments tests questionnaires tests form a large part of any career assessment they allow for the personality traits of individuals to be unveiled alongside skills strengths values interests emotional intelligence motivations and goals maree 2015

**what is career counseling 3 fascinating theories explained** - Mar 12 2023

web may 13 2021 career counselors offer a valuable source of support and guidance for people wanting to explore their aspirations make a career change or simply get more satisfaction from their work this article outlines what career counseling is how it can be beneficial and several highly influential career counseling theories

**career counselling jobs in singapore november 2023 jobsdb** - May 02 2022

web academic university guidance counsellor january 2024 middleton international school pte ltd singapore 6 000 10 500 per month missing career the university guidance counsellor role is aimed at supporting students at all grades in

[career counseling final exam flashcards quizlet](#) - Jul 04 2022

web name and define the 3 core components of social cognitive career theory scct 1 self efficacy an individuals views of their ability to organize and take action to attain the results they want 2 outcome expectations when individuals estimate what the probability of an outcome will be

**career counseling practice test questions chapter exam study** - Jul 16 2023

web test and improve your knowledge of career counseling with fun multiple choice exams you can take online with study com

[assessment in career counseling](#) - Feb 11 2023

web below counselors should require that test publishers take primary responsibility for the first transformation self concept

theory in career development and counseling career development quarterly 43 32 42 chartrand j m 1991 the evolution of trait and factor career counseling a person x environment fit approach journal of coun

[exam for career counseling theory orientation sutd edu](#) - Sep 06 2022

web test bank for career information career counseling and career counseling wikipedia chapter 6 the big five career theories real tutoring overview of career development theories hatboro

[how to choose a career counseling model or framework](#) - Apr 13 2023

web may 23 2023 1 trait and factor model 2 social cognitive career theory 3 narrative approach 4 solution focused approach 5 chaos theory of careers 6 here s what else to consider career counseling is

[downloadable free pdfs exam for career counseling theory](#) - Apr 01 2022

web exam for career counseling theory career theory and practice learning through case studies apr 23 2022 career theory and practice learning through case studies second edition provides the reader with hands on practical examples of how to apply career development theories to career counseling clients this book serves as that

**career counseling theories exam flashcards quizlet** - Dec 09 2022

web study with quizlet and memorize flashcards containing terms like what is a theory who is the father of career counseling frank parsons idea was and more

**career development theories examples application study com** - Aug 05 2022

web mar 12 2022 study the connection between career counseling and development theories including ginzberg s theory see how personality and development impact career choice updated 03 12 2022

[how to test career counseling theories methods and](#) - Sep 18 2023

web aug 16 2023 2 see what others are saying one way to test career counseling theories is to review the existing literature on the topic this means searching for and analyzing relevant studies articles

**how to become a career counselor step by step guide wm soe counseling** - May 14 2023

web nov 14 2023 according to the bls the field of career counseling is expected to grow by five percent by 2032 which is faster than average in 2022 there were 342 400 jobs for career counselors with a median annual salary of 60 140 the working environment for career counselors includes colleges and universities career centers and private

**career counseling practices sage publications inc** - Oct 07 2022

web the learning theory model of career counseling includes the following seven stages stage 1 interview the client counselor relationship is established the client is asked to make a commitment to the time needed for counseling insightful

[career counseling theories flashcards quizlet](#) - Jun 03 2022

web self concept career development is a continuous life long process vocational self concept develops through physical and

mental growth observations of work identification with working adults general environment and general experiences  
individuals implement their self concepts into careers as a means of self expression self concept

**career counseling definitions theories and assessments** - Aug 17 2023

web oct 2 2017 career counselors use theories and assessments to help others make career choices think through career  
problems find jobs and explore opportunities just like therapists there are many different types of career counselors who use  
different theories interventions and assessments

career counseling theories and interventions apa psycnet - Jan 10 2023

web this chapter focuses on the foundational theories that attempt to answer this question and on the interventions used in  
career counseling to address these issues with individuals the authors wish to make clear that theories of career choice and  
development are not per se theories of career counseling and interventions