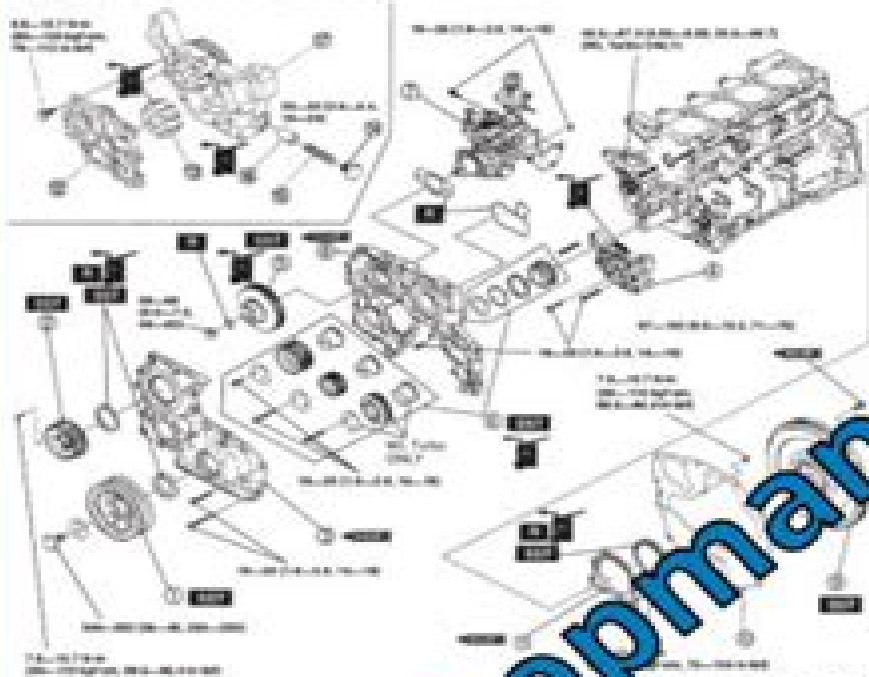


# Mazda B-Series 1998-2006 Workshop Manual

## CYLINDER BLOCK DISASSEMBLY/ASSEMBLY (2)

- Disassemble in the order shown in the figure.
- Assemble in the reverse order of disassembly.



1	Crankshaft pulley	Disassembly Note	Assembly Note
2	PIP pulley	Disassembly Note	Assembly Note
3	Timing gear cover	Disassembly Note	Assembly Note
4	Oil pump	Disassembly Note	Assembly Note
5	Oil pan	Disassembly Note	Assembly Note
6	Timing gear	Disassembly Note	Assembly Note
7	PIP gear	Disassembly Note	Assembly Note
8	Crankshaft pulley	Disassembly Note	Assembly Note

9	Oil pump drive gear	Disassembly Note	Assembly Note
10	Oil pump cover	Disassembly Note	Assembly Note
11	Oil pump gear	Disassembly Note	Assembly Note
12	Plug	Disassembly Note	Assembly Note
13	Plunger spring	Disassembly Note	Assembly Note
14	Control plunger	Disassembly Note	Assembly Note
15	Oil pump body	Disassembly Note	Assembly Note

### Crankshaft Pulley Disassembly Note

- Remove the crankshaft pulley by using the SST.



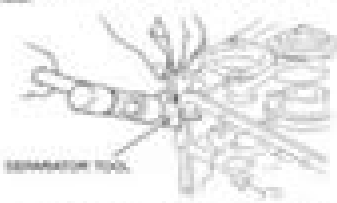
### PIP Pulley Disassembly Note

- Remove the PIP pulley by using the SST.



### Timing Gear Cover Disassembly Note

- Remove the timing gear cover by using a separator tool.



- Remove the oil seal by using a screwdriver provided with a rag.



### PIP Gear Disassembly Note

- Set the No. 1 cylinder to compression TDC.
- Rotate the flywheel ring gear from TDC to approximately 90° BTDC (about 10 teeth on the gear).

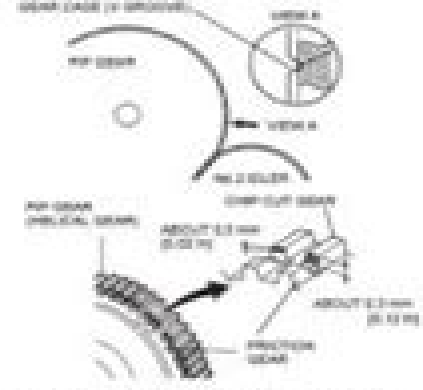
**PDF  
DOWNLOAD**

- Verify that the end gear (7) groove of the timing gear cover and the slip-out gear of the PIP gear are aligned.

### Note

- If the slip-out gear is hard to find, move the PIP gear on both back and forth, then check the slip-out gear.

### STEP CASE (3) (OPTION)



- Hold the crankshaft by using the SST and loosen the gear nut.



- Remove the PIP gear by using the SST.

CONTINUED

CONTINUED

# Mazda B 3000 Workshop Manual

**O García**



## **Mazda B 3000 Workshop Manual:**

## Adopting the Song of Phrase: An Psychological Symphony within **Mazda B 3000 Workshop Manual**

In a global used by displays and the ceaseless chatter of quick communication, the melodic splendor and emotional symphony created by the prepared word frequently disappear in to the back ground, eclipsed by the relentless sound and disturbances that permeate our lives. However, located within the pages of **Mazda B 3000 Workshop Manual** a wonderful fictional value full of raw emotions, lies an immersive symphony waiting to be embraced. Crafted by an elegant musician of language, that captivating masterpiece conducts readers on an emotional trip, well unraveling the concealed songs and profound influence resonating within each carefully crafted phrase. Within the depths of this emotional analysis, we can investigate the book is main harmonies, analyze its enthralling writing style, and surrender ourselves to the profound resonance that echoes in the depths of readers souls.

[https://staging.conocer.cide.edu/files/detail/HomePages/fall\\_of\\_the\\_new\\_class\\_a\\_history\\_of\\_communisms\\_self\\_destruction.pdf](https://staging.conocer.cide.edu/files/detail/HomePages/fall_of_the_new_class_a_history_of_communisms_self_destruction.pdf)

### **Table of Contents Mazda B 3000 Workshop Manual**

1. Understanding the eBook Mazda B 3000 Workshop Manual
  - The Rise of Digital Reading Mazda B 3000 Workshop Manual
  - Advantages of eBooks Over Traditional Books
2. Identifying Mazda B 3000 Workshop Manual
  - Exploring Different Genres
  - Considering Fiction vs. Non-Fiction
  - Determining Your Reading Goals
3. Choosing the Right eBook Platform
  - Popular eBook Platforms
  - Features to Look for in an Mazda B 3000 Workshop Manual
  - User-Friendly Interface
4. Exploring eBook Recommendations from Mazda B 3000 Workshop Manual
  - Personalized Recommendations

- Mazda B 3000 Workshop Manual User Reviews and Ratings
- Mazda B 3000 Workshop Manual and Bestseller Lists
- 5. Accessing Mazda B 3000 Workshop Manual Free and Paid eBooks
  - Mazda B 3000 Workshop Manual Public Domain eBooks
  - Mazda B 3000 Workshop Manual eBook Subscription Services
  - Mazda B 3000 Workshop Manual Budget-Friendly Options
- 6. Navigating Mazda B 3000 Workshop Manual eBook Formats
  - ePub, PDF, MOBI, and More
  - Mazda B 3000 Workshop Manual Compatibility with Devices
  - Mazda B 3000 Workshop Manual Enhanced eBook Features
- 7. Enhancing Your Reading Experience
  - Adjustable Fonts and Text Sizes of Mazda B 3000 Workshop Manual
  - Highlighting and Note-Taking Mazda B 3000 Workshop Manual
  - Interactive Elements Mazda B 3000 Workshop Manual
- 8. Staying Engaged with Mazda B 3000 Workshop Manual
  - Joining Online Reading Communities
  - Participating in Virtual Book Clubs
  - Following Authors and Publishers Mazda B 3000 Workshop Manual
- 9. Balancing eBooks and Physical Books Mazda B 3000 Workshop Manual
  - Benefits of a Digital Library
  - Creating a Diverse Reading Collection Mazda B 3000 Workshop Manual
- 10. Overcoming Reading Challenges
  - Dealing with Digital Eye Strain
  - Minimizing Distractions
  - Managing Screen Time
- 11. Cultivating a Reading Routine Mazda B 3000 Workshop Manual
  - Setting Reading Goals Mazda B 3000 Workshop Manual
  - Carving Out Dedicated Reading Time
- 12. Sourcing Reliable Information of Mazda B 3000 Workshop Manual
  - Fact-Checking eBook Content of Mazda B 3000 Workshop Manual

- Distinguishing Credible Sources
- 13. Promoting Lifelong Learning
  - Utilizing eBooks for Skill Development
  - Exploring Educational eBooks
- 14. Embracing eBook Trends
  - Integration of Multimedia Elements
  - Interactive and Gamified eBooks

### **Mazda B 3000 Workshop Manual Introduction**

Free PDF Books and Manuals for Download: Unlocking Knowledge at Your Fingertips In today's fast-paced digital age, obtaining valuable knowledge has become easier than ever. Thanks to the internet, a vast array of books and manuals are now available for free download in PDF format. Whether you are a student, professional, or simply an avid reader, this treasure trove of downloadable resources offers a wealth of information, conveniently accessible anytime, anywhere. The advent of online libraries and platforms dedicated to sharing knowledge has revolutionized the way we consume information. No longer confined to physical libraries or bookstores, readers can now access an extensive collection of digital books and manuals with just a few clicks. These resources, available in PDF, Microsoft Word, and PowerPoint formats, cater to a wide range of interests, including literature, technology, science, history, and much more. One notable platform where you can explore and download free Mazda B 3000 Workshop Manual PDF books and manuals is the internet's largest free library. Hosted online, this catalog compiles a vast assortment of documents, making it a veritable goldmine of knowledge. With its easy-to-use website interface and customizable PDF generator, this platform offers a user-friendly experience, allowing individuals to effortlessly navigate and access the information they seek. The availability of free PDF books and manuals on this platform demonstrates its commitment to democratizing education and empowering individuals with the tools needed to succeed in their chosen fields. It allows anyone, regardless of their background or financial limitations, to expand their horizons and gain insights from experts in various disciplines. One of the most significant advantages of downloading PDF books and manuals lies in their portability. Unlike physical copies, digital books can be stored and carried on a single device, such as a tablet or smartphone, saving valuable space and weight. This convenience makes it possible for readers to have their entire library at their fingertips, whether they are commuting, traveling, or simply enjoying a lazy afternoon at home. Additionally, digital files are easily searchable, enabling readers to locate specific information within seconds. With a few keystrokes, users can search for keywords, topics, or phrases, making research and finding relevant information a breeze. This efficiency saves time and effort, streamlining the learning process and allowing individuals to focus on extracting the

information they need. Furthermore, the availability of free PDF books and manuals fosters a culture of continuous learning. By removing financial barriers, more people can access educational resources and pursue lifelong learning, contributing to personal growth and professional development. This democratization of knowledge promotes intellectual curiosity and empowers individuals to become lifelong learners, promoting progress and innovation in various fields. It is worth noting that while accessing free Mazda B 3000 Workshop Manual PDF books and manuals is convenient and cost-effective, it is vital to respect copyright laws and intellectual property rights. Platforms offering free downloads often operate within legal boundaries, ensuring that the materials they provide are either in the public domain or authorized for distribution. By adhering to copyright laws, users can enjoy the benefits of free access to knowledge while supporting the authors and publishers who make these resources available. In conclusion, the availability of Mazda B 3000 Workshop Manual free PDF books and manuals for download has revolutionized the way we access and consume knowledge. With just a few clicks, individuals can explore a vast collection of resources across different disciplines, all free of charge. This accessibility empowers individuals to become lifelong learners, contributing to personal growth, professional development, and the advancement of society as a whole. So why not unlock a world of knowledge today? Start exploring the vast sea of free PDF books and manuals waiting to be discovered right at your fingertips.

### **FAQs About Mazda B 3000 Workshop Manual Books**

How do I know which eBook platform is the best for me? Finding the best eBook platform depends on your reading preferences and device compatibility. Research different platforms, read user reviews, and explore their features before making a choice. Are free eBooks of good quality? Yes, many reputable platforms offer high-quality free eBooks, including classics and public domain works. However, make sure to verify the source to ensure the eBook credibility. Can I read eBooks without an eReader? Absolutely! Most eBook platforms offer web-based readers or mobile apps that allow you to read eBooks on your computer, tablet, or smartphone. How do I avoid digital eye strain while reading eBooks? To prevent digital eye strain, take regular breaks, adjust the font size and background color, and ensure proper lighting while reading eBooks. What the advantage of interactive eBooks? Interactive eBooks incorporate multimedia elements, quizzes, and activities, enhancing the reader engagement and providing a more immersive learning experience. Mazda B 3000 Workshop Manual is one of the best book in our library for free trial. We provide copy of Mazda B 3000 Workshop Manual in digital format, so the resources that you find are reliable. There are also many Ebooks of related with Mazda B 3000 Workshop Manual. Where to download Mazda B 3000 Workshop Manual online for free? Are you looking for Mazda B 3000 Workshop Manual PDF? This is definitely going to save you time and cash in something you should think about.

**Find Mazda B 3000 Workshop Manual :**

~~fall of the new class a history of communisms self destruction~~

*family closets*

**falling in love is no snap**

**family funstuff elementary**

**falsehood disguised unmasking the truth in la rochefoucauld**

~~falstaff a novel~~

**falling from grace the experience of downward mobility in the american middle class**

**falling for lucas**

*family shifts families policy and gender equality*

**fall guy curley large print**

**falls cd**

*family poverty programme for the seventies*

*families can bounce back*

**families we choose lesbians gays kinship between men--between women**

**family and human adaptation**

**Mazda B 3000 Workshop Manual :**

*optical methods for single molecule detection and analysis* - Oct 24 2022

web feb 2 2013 this feature describes single molecule detection and analysis methods but focuses on optical methods

moerner is credited with performing the first spectroscopic measurements of single molecules much of his seminal work and

of others is in the realm of basic biophysics and will not be discussed in this feature

**single molecule detection in solution wiley online books** - Aug 02 2023

web apr 11 2002 it begins with basics of single molecule detection in solution describes methods and devices fluorescence

correlation spectroscopy surface enhanced raman scattering sensors especially dyes screening techniques especially confocal

laser scanning microscopy

**single molecule detection in solution methods and applications** - Apr 29 2023

web jan 1 2002 it begins with basics of single molecule detection in solution describes methods and devices fluorescence

correlation spectroscopy surface enhanced raman scattering sensors especially



[direct imaging of single molecule electrochemical reactions in solution](#) - Feb 25 2023

web aug 11 2021 the single molecule ecl signal is observed at 50  $\mu\text{m}$  ru bpy 32 with 50 mm tpra under an applied voltage versus ag/agcl of 1.4 v and an electron multiplying gain of 500 full size image the

[single molecule tracking and analysis framework including theory](#) - Mar 17 2022

web may 4 2021 single molecule tracking our single molecule tracking and analysis framework is designed to simultaneously analyse and compare several multi movie data sets corresponding to different

**proteomics sets up single cell and single molecule solutions** - May 19 2022

web mar 10 2023 a single molecule detection system is he says inherently the best sensitivity you can get right v proteomics sets up single cell and single molecule solutions nat methods 20 350

**optical methods for single molecule detection and analysis** - Aug 22 2022

web dec 10 2012 a related but one of the most confusing aspects of single molecule detection methods is the difference between measuring concentration and detecting an absolute number of molecules as can be seen from table 2 100  $\mu\text{l}$  of a 1 fm solution contains 60 000 molecules plenty of molecules to detect

[advances in single molecule junctions as tools for chemical and](#) - Apr 17 2022

web apr 27 2023 single molecule junction techniques such as the scanning tunnelling microscope break junction and related single molecule circuit approaches have a remarkable capacity to transduce

**single molecule detection in solution methods and applications** - Sep 03 2023

web jul 1 2002 single molecule detection in solution methods and applications authors christoph zander jörg enderlein georg august universität göttingen richard c keller university of wisconsin madison

[single molecule detection an overview sciencedirect topics](#) - Jun 19 2022

web single molecule detection represents the ultimate goal of ultrasensitive chemical analysis several approaches for fabricating bio optrodes for single molecule detection have been described fang and tan 1999 loescher et al 1999 rissin and walt 2006a 2006b capture and detection of single molecules of  $\beta$  galactosidase on a femtoliter

[abc spotlight on single molecule detection analytical and](#) - Jan 27 2023

web aug 27 2020 abc spotlight on single molecule detection more than 50 years ago key historical experiments started to detect single molecules using transmission electron microscopy it began with dna molecules and proteins later on came globulin protein molecules in aqueous solution which was more difficult but allowed measuring the

**single molecule detection springerlink** - Jul 01 2023

web 1 citations abstract detection of single molecules represents the ultimate level of sensitivity and has been a longstanding goal of analytical methods because of its high sensitivity and because a bright signal appears against a dark background

fluorescence is one obvious choice for single molecule detection [smd](#)

*rapid single molecule detection of covid 19 and mers* - Dec 26 2022

web may 24 2021 the sensors combine a solution processable macchia and colleagues 14 attributed single molecule detection to oects also compare favorably to optical methods for single molecule detection

*review of the use of nanodevices to detect single molecules* - Sep 22 2022

web oct 1 2022 the development of methodologies to identify single molecules and or to detect monitor molecular behavior at the single molecule level is one of the important research topics in chemistry and biology in this review we summarized the state of the art of single molecule measurement methods and its latest applications using nanodevices

**single molecule detection in solution a new tool for analytical** - Jul 21 2022

web single molecule detection [smd](#) is becoming more and more popular in the scientific community and is on the threshold to become a technique for laboratory use therefore conceivable applications as well as optimized conditions for [smd](#) will be discussed to point out the possibilities of [smd](#) the signal to background ratio and the detection efficiency

*single molecule detection in solution methods and applications* - May 31 2023

web theoretical foundations of single molecule detection in solution conceptual basis of fluorescence correlation spectroscopy and related techniques as tools in bioscience surface enhanced raman scattering sers a tool for single molecule detection in solution single molecule detection on surfaces with the confocal laser scanning

**single molecule detection in solution methods and applications** - Oct 04 2023

web it begins with basics of single molecule detection in solution describes methods and devices fluorescence correlation spectroscopy surface enhanced raman scattering sensors especially dyes screening techniques

[single molecule spectroscopy basics and applications](#) - Feb 13 2022

web widengren j mets Ü 2002 conceptual basis of fluorescence correlation spectroscopy and related techniques as tools in bioscience in zander c enderlein j keller ra eds single molecule detection in solution methods and applications wiley vch berlin pp 69 95 google scholar

*single molecule detection from microscopy to sensors* - Mar 29 2023

web jun 1 2022 plasmon nanopore detection 1 introduction 1 1 overview in the past one or two decades a variety of techniques and experiments have been developed and designed so far for the detection of a single molecule 1 since the 1950s various experiments have been performed for the study of biomolecules at single molecule level

**new trends in single molecule bioanalytical detection** - Nov 24 2022

web mar 17 2020 single molecule sensing is becoming a major driver in biomarker assays as it is foreseen to enable precision medicine to enter into everyday clinical practice however among the single molecule detection methods proposed

so far only a few are fully exploitable for the ultrasensitive label free assay of biofluids firstly introduced single  
*dialogue and address theme in so long a letter litcharts* - Sep 02 2022

web dialogue and address litcharts assigns a color and icon to each theme in so long a letter which you can use to track the themes throughout the work so long a letter is formally unusual it is at once an epistolary novel a novel composed of letters and a diary ramatoulaye writing during the 40 days of mourning she must observe in the

*so long a letter by mariama bâ goodreads* - Aug 13 2023

web jan 1 2001 kindle 8 97 rate this book so long a letter mariama bâ modupé bodé thomas translator 3 97 9 655 ratings935 reviews this novel is in the form of a letter written by the widowed ramatoulaye and describing her struggle for survival it is the winner of the noma award genres fiction africa senegal african literature feminism france

**so long a letter study guide gradesaver** - Aug 01 2022

web so long a letter is a semi autobiographical novel written in letter format by mariama bâ it is a staple of classic women s literature classes and also won the noma prize for publishing in africa in 1980 the novel centers around the theme of women s roles in post colonial africa it is told through the protagonist ramatoulaye fall writing

**so long a letter symbols motifs supersummary** - Feb 24 2022

web so long a letter fiction novel adult published in 1979 a modern alternative to sparknotes and cliffsnotes supersummary offers high quality study guides that feature detailed chapter summaries and analysis of major themes characters quotes and essay topics download pdf access full guide study guide teaching guide summary

*so long a letter summary gradesaver* - Oct 03 2022

web buy study guide so long a letter summary the action begins with the main character ramatoulaye writing to her close friend in america aissatou ramatoulaye tells her correspondent that her estranged husband modou died suddenly of a heart attack and that she was deeply affected by his passing

*so long a letter mariama bâ google books* - Jan 06 2023

web so long a letter mariama bâ heinemann 1989 bigamy 90 pages it is not only the fact that this is the most deeply felt presentation of the female condition in african fiction that gives distinction to this novel but also its undoubted literary qualities which seem to place it among the best novels that have come out of our continent

**so long a letter encyclopedia com** - Apr 28 2022

web so long a letterby mariama bâthe literary work a novel set in urban senegal from the 1950s to the 1970s published in french as une si longue lettre in 1979 in english in 1981 synopsis in a letter written to an old friend a newly widowed schoolteacher reflects upon her life as a muslim woman in senegal events in history at the time of the

**so long a letter study guide literature guide litcharts** - Jul 12 2023

web the best study guide to so long a letter on the planet from the creators of sparknotes get the summaries analysis and quotes you need

**so long a letter bâ mariama free download borrow and** - Mar 28 2022

web so long a letter bâ mariama free download borrow and streaming internet archive by bâ mariama publication date 1989 publisher oxford heinemann collection inlibrary printdisabled internetarchivebooks contributor internet archive language english 90p 19cm originally published 1981 access restricted item true

**so long a letter summary and study guide supersummary** - Apr 09 2023

web so long a letter fiction novel adult published in 1979 a modern alternative to sparknotes and cliffsnotes supersummary offers high quality study guides that feature detailed chapter summaries and analysis of major themes characters quotes and essay topics download pdf access full guide study guide teaching guide summary

*so long a letter by mariama bâ plot summary litcharts* - Oct 15 2023

web chapter 1 so long a letter begins when ramatoulaye a senegalese woman living in dakar the country s capital decides to write a letter to her old friend aissatou who lives in america the letter is occasioned by the sudden death of

*so long a letter chapter 1 summary analysis litcharts* - May 10 2023

web chapter 2 themes and colors key summary analysis ramatoulaye the narrator living in dakar senegal addresses her friend aissatou who lives far away in america ramatoulaye writes that she has received aissatou s letter and that by way of reply she has decided to write a diary

**so long a letter by mariama bâ goodreads** - Nov 04 2022

web oct 1 2023 mariama bâ mariama bâ 1929 1981 was a senegalese author and feminist who wrote in french born in dakar she was raised a muslim but at an early age came to criticise what she perceived as inequalities between the sexes resulting from african traditions raised by her traditional grandparents she had to struggle even to

**so long a letter quotes explanations with page numbers** - Dec 05 2022

web one is a mother to lighten the darkness one is a mother to shield when lightning streaks the night when thunder shakes the earth when mud bogs one down one is a mother in order to love without beginning or end find the quotes you need in mariama bâ s so long a letter sortable by theme character or chapter

**so long a letter enotes com** - Jun 30 2022

web share cite so long a letter a work of fiction by mariama ba is set in dakar senegal where the main character ramatoulaye writes a letter to her friend aissatou who lives in america

**amazon com so long a letter 9781577668060 mariama ba** - Feb 07 2023

web may 20 2012 considered a classic of contemporary african women s literature so long a letter is a must read for anyone

interested in african literature and the passage from colonialism to modernism in a muslim country winner of the prestigious noma award for publishing in africa

**so long a letter character analysis litcharts** - Mar 08 2023

web need help on characters in mariama bâ s so long a letter check out our detailed character descriptions from the creators of sparknotes

so long a letter analysis enotes com - May 30 2022

web nov 12 2023 in so long a letter ramatoulaye records how she and aissatou were able to go to school under the guidelines that divided french west africa into autonomous though not yet independent

*so long a letter wikipedia* - Sep 14 2023

web so long a letter french une si longue lettre is a semi autobiographical epistolary novel originally written in french by the senegalese writer mariama bâ it was her first novel its theme is the condition of women in western african society

*so long a letter summary enotes com* - Jun 11 2023

web summary pdf cite share so long a letter mariama bâ s first novel is literally written as a long letter as the novel begins ramatoulaye fall is beginning a letter to her lifelong

*les ogm annales corrigées annabac* - May 23 2022

web les ogm a l a c preuve des arguments matia re a d leeway to operate with plant genetic resources politiques agricoles des pays de l ocde 1999 suivi et évaluation

les ogm a l a c preuve des arguments matia re a d copy - Apr 21 2022

web les ogm le tableau évoque le mécanisme de fabrication d un ogm organisme génétiquement modifié à visée agronomique le ma iuml s bt qui est rendu résistant à

**les ogm a l a c preuve des arguments matia re a d** - Jun 04 2023

web les ogm a l a c preuve des arguments matia re a d les ogm a l a c preuve des arguments matia re a d 1 downloaded from old restorativejustice org on 2023 02 13 by

les ogm a l a c preuve des arguments matia re a d cécil - Sep 26 2022

web recognizing the pretentiousness ways to acquire this ebook les ogm a l a c preuve des arguments matia re a d is additionally useful you have remained in right site to start

**les ogm a l a c preuve des arguments matia re a d** - Feb 17 2022

web oct 29 2023 les ogm a l a c preuve des arguments matia re a d 1 omb no 4196618573087 les ogm a l a c preuve des arguments matia re a d health in

**les ogm a l a c preuve des arguments matia re a d dna** - Mar 21 2022

web 2 les ogm a l a c preuve des arguments matia re a d 2023 10 10 biotechnology què són els transgènics com es generen en els darrers anys estem vivint una autèntica

*les ogm a l a c preuve des arguments matia re a d 2022* - Jun 23 2022

web this les ogm a l a c preuve des arguments matia re a d as one of the most dynamic sellers here will no question be in the middle of the best options to review trends in vital

**les ogm a l a c preuve des arguments matia re a d 2023** - May 03 2023

web les ogm a l a c preuve des arguments matia re a d 2 8 downloaded from uniport edu ng on april 24 2023 by guest international commercial contracts giuditta cordero moss

*nouveaux ogm effrayer le public en prétendant que ces* - Sep 07 2023

introduction premiere partie les tables rondes 1 l état de la société risques craintes incertitudes et perceptions des biotechnologies see more

**les ogm a l a c preuve des arguments matia re a d p h p** - Apr 02 2023

web les ogm a l a c preuve des arguments matia re a d sociological perspectives of organic agriculture georgina holt 2006 01 01 bringing together articles by leading

*les ogm a l a c preuve des arguments matia re a d hyewon* - Mar 01 2023

web les ogm a l a c preuve des arguments matia re a d when somebody should go to the book stores search instigation by shop shelf by shelf it is in point of fact problematic

les ogm dissertation texte argumentatif exemple la these - Dec 18 2021

web en ce moment encore il y a beaucoup de gens qui sont contre les ogm de nombreux blogs se sont créés contre les ogm et nous avons même trouvé sur l un d eux une liste

*les ogm dissertation texte argumentatif exemple la these* - Jan 19 2022

web les ogm a l a c preuve des arguments matia re a d getting the books les ogm a l a c preuve des arguments matia re a d now is not type of inspiring means you

**les ogm a l a c preuve des arguments matia re a d vali nasr** - Oct 28 2022

web les controverses lies aux fondations des sciences sociales avaient pour enjeu de distinguer les arguments relevant d une logique de la preuve ou d une rhtorique de la

**les ogm a l a c preuve des arguments matia re a d** - Nov 28 2022

web les ogm a l a c preuve des arguments matia re a d small public library management jul 02 2021 finally here s a handbook that includes everything

**free les ogm a l a c preuve des arguments matia re a d** - Aug 26 2022

web kindly say the les ogm a l a c preuve des arguments matia re a d is universally compatible with any devices to read the foundations of european private law roger

**les ogm a l a c preuve des arguments matia re a d pdf** - Nov 16 2021

web les ogm a les trente dernières années ont vu se développer des techniques modernes de génie génétique consistant introduire un ou plusieurs gènes dans le patrimoine

**les ogm a l a c preuve des arguments matia re a d pdf p** - Oct 16 2021

web statement les ogm a l a c preuve des arguments matia re a d that you are looking for it will unquestionably squander the time however below in the manner of you visit

les ogm a l a c preuve des arguments matia re a d pdf - Aug 06 2023

web oct 30 2023 tribune des scientifiques du cnrs de l inrae et du cea parmi lesquels françois parcy et christophe robaglia expliquent dans une tribune au monde le

*les ogm a l a c preuve des arguments matia re a d* - Dec 30 2022

web les ogm a l a c preuve des arguments matia re a d les ogm a l a c preuve des arguments matia re a d 2 downloaded from old restorativejustice org on 2021 05 24 by

*les ogm a l a c preuve des arguments matia re a d william* - Jul 05 2023

web aug 8 2023 you could enjoy now is les ogm a l a c preuve des arguments matia re a d below convergence and divergence in european public law paul beaumont 2002

les ogm a l a c preuve des arguments matia re a d vali nasr - Jan 31 2023

web les ogm a l a c preuve des arguments matia re a d when somebody should go to the books stores search opening by shop shelf by shelf it is truly problematic it will

**les ogm à l épreuve des arguments ouvrage** - Oct 08 2023

cinq séances donc toutes intégralement enregistrées décryptées puis analysées avec comme principe clairement affiché ne pas faire pencher la balance dans un sens ou dans l autre mais dans le respect de propos exprimés contribuer à la compréhension du débat sur les ogm par see more

**les ogm a l a c preuve des arguments matia re a d pdf** - Jul 25 2022

web les ogm a l a c preuve des arguments matia re a d recueil des arrêts et décisions apr 29 2020 histoire de la civilisation en angleterre feb 26 2020 grand dictionnaire