

SPECIAL SERVICE TOOLS

OMC has specially-designed tools to simplify some of the disassembly and reassembly operations. These tools are illustrated in this Service Manual, in many cases in actual use. Refer to the Special Service Tool Catalog for a description and ordering instructions for these tools. Individual purchasers of Service Manuals must order Special Tools through an authorized dealer.

OUTBOARD MOTOR NOMENCLATURE

Sometimes the words "right" and "left" are very confusing when referring to the sides of an outboard motor. Therefore, the sides are referred to as STARBOARD or PORT sides. STARBOARD means on the right hand while facing the bow (FRONT) of the boat; PORT means left hand. See Figures 1-1 and 1-2.

Service required for the 55 HP motor is generally one of three kinds . . .

1. **NORMAL CARE AND MAINTENANCE**, which includes putting a new motor into operation, storing motors, lubrication, and care under special operating conditions such as salt water and cold weather.
2. **OPERATING MALFUNCTIONS** due to improper motor mounting, propeller condition or size, boat condition, or the malfunction of some part of the motor. This includes motor tune-up procedures to keep the motor in prime operating condition.
3. **COMPLETE DISASSEMBLY** and overhaul, such as inspecting a motor that has been submerged or rebuilding trade-in units.

It is important to you as the service man to determine before disassembly just what the trouble is, and how to correct it quickly and with minimum expense to the owner.

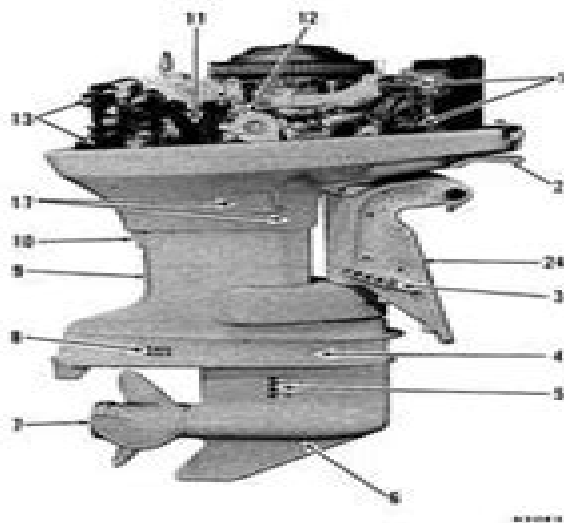


Figure 1-1. Starboard View

1. Carburetors
2. Steering arm
3. Tilt adjustment rod
4. Oil level plug
5. Water intake
6. Oil drain and fill plug
7. Exhaust outlet
8. Water outlet
9. Exhaust housing
10. Exhaust relief
11. Power pack
12. Throttle and shift lever
13. Ignition coils
14. Alternator
15. Electric starter
16. Fuel pump and filter
17. Exhaust covers
18. Tilt and reverse lock lever
19. Air silencer
20. Trim tab
21. Propeller
22. Skog
23. Gearcase
24. Stern bracket

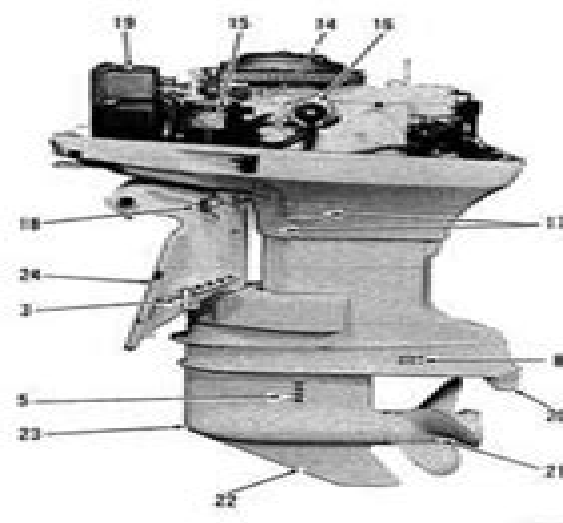


Figure 1-2. Port Side View

Johnson 55 Hp Manual

Joacim Rocklöv



Johnson 55 Hp Manual:

Thank you very much for reading **Johnson 55 Hp Manual**. As you may know, people have look hundreds times for their favorite novels like this Johnson 55 Hp Manual, but end up in infectious downloads. Rather than enjoying a good book with a cup of tea in the afternoon, instead they are facing with some harmful virus inside their computer.

Johnson 55 Hp Manual is available in our book collection an online access to it is set as public so you can get it instantly. Our digital library saves in multiple locations, allowing you to get the most less latency time to download any of our books like this one.

Merely said, the Johnson 55 Hp Manual is universally compatible with any devices to read

<https://staging.conocer.cide.edu/About/book-search/default.aspx/life%20sciences%20paper%202%20grade%201.pdf>

Table of Contents Johnson 55 Hp Manual

1. Understanding the eBook Johnson 55 Hp Manual
 - The Rise of Digital Reading Johnson 55 Hp Manual
 - Advantages of eBooks Over Traditional Books
2. Identifying Johnson 55 Hp Manual
 - Exploring Different Genres
 - Considering Fiction vs. Non-Fiction
 - Determining Your Reading Goals
3. Choosing the Right eBook Platform
 - Popular eBook Platforms
 - Features to Look for in an Johnson 55 Hp Manual
 - User-Friendly Interface
4. Exploring eBook Recommendations from Johnson 55 Hp Manual
 - Personalized Recommendations
 - Johnson 55 Hp Manual User Reviews and Ratings

- Johnson 55 Hp Manual and Bestseller Lists
- 5. Accessing Johnson 55 Hp Manual Free and Paid eBooks
 - Johnson 55 Hp Manual Public Domain eBooks
 - Johnson 55 Hp Manual eBook Subscription Services
 - Johnson 55 Hp Manual Budget-Friendly Options
- 6. Navigating Johnson 55 Hp Manual eBook Formats
 - ePub, PDF, MOBI, and More
 - Johnson 55 Hp Manual Compatibility with Devices
 - Johnson 55 Hp Manual Enhanced eBook Features
- 7. Enhancing Your Reading Experience
 - Adjustable Fonts and Text Sizes of Johnson 55 Hp Manual
 - Highlighting and Note-Taking Johnson 55 Hp Manual
 - Interactive Elements Johnson 55 Hp Manual
- 8. Staying Engaged with Johnson 55 Hp Manual
 - Joining Online Reading Communities
 - Participating in Virtual Book Clubs
 - Following Authors and Publishers Johnson 55 Hp Manual
- 9. Balancing eBooks and Physical Books Johnson 55 Hp Manual
 - Benefits of a Digital Library
 - Creating a Diverse Reading Collection Johnson 55 Hp Manual
- 10. Overcoming Reading Challenges
 - Dealing with Digital Eye Strain
 - Minimizing Distractions
 - Managing Screen Time
- 11. Cultivating a Reading Routine Johnson 55 Hp Manual
 - Setting Reading Goals Johnson 55 Hp Manual
 - Carving Out Dedicated Reading Time
- 12. Sourcing Reliable Information of Johnson 55 Hp Manual
 - Fact-Checking eBook Content of Johnson 55 Hp Manual
 - Distinguishing Credible Sources

13. Promoting Lifelong Learning
 - Utilizing eBooks for Skill Development
 - Exploring Educational eBooks
14. Embracing eBook Trends
 - Integration of Multimedia Elements
 - Interactive and Gamified eBooks

Johnson 55 Hp Manual Introduction

In this digital age, the convenience of accessing information at our fingertips has become a necessity. Whether its research papers, eBooks, or user manuals, PDF files have become the preferred format for sharing and reading documents. However, the cost associated with purchasing PDF files can sometimes be a barrier for many individuals and organizations. Thankfully, there are numerous websites and platforms that allow users to download free PDF files legally. In this article, we will explore some of the best platforms to download free PDFs. One of the most popular platforms to download free PDF files is Project Gutenberg. This online library offers over 60,000 free eBooks that are in the public domain. From classic literature to historical documents, Project Gutenberg provides a wide range of PDF files that can be downloaded and enjoyed on various devices. The website is user-friendly and allows users to search for specific titles or browse through different categories. Another reliable platform for downloading Johnson 55 Hp Manual free PDF files is Open Library. With its vast collection of over 1 million eBooks, Open Library has something for every reader. The website offers a seamless experience by providing options to borrow or download PDF files. Users simply need to create a free account to access this treasure trove of knowledge. Open Library also allows users to contribute by uploading and sharing their own PDF files, making it a collaborative platform for book enthusiasts. For those interested in academic resources, there are websites dedicated to providing free PDFs of research papers and scientific articles. One such website is Academia.edu, which allows researchers and scholars to share their work with a global audience. Users can download PDF files of research papers, theses, and dissertations covering a wide range of subjects. Academia.edu also provides a platform for discussions and networking within the academic community. When it comes to downloading Johnson 55 Hp Manual free PDF files of magazines, brochures, and catalogs, Issuu is a popular choice. This digital publishing platform hosts a vast collection of publications from around the world. Users can search for specific titles or explore various categories and genres. Issuu offers a seamless reading experience with its user-friendly interface and allows users to download PDF files for offline reading. Apart from dedicated platforms, search engines also play a crucial role in finding free PDF files. Google, for instance, has an advanced search feature that allows users to filter results by file type. By specifying the file type as "PDF," users can find websites that offer

free PDF downloads on a specific topic. While downloading Johnson 55 Hp Manual free PDF files is convenient, its important to note that copyright laws must be respected. Always ensure that the PDF files you download are legally available for free. Many authors and publishers voluntarily provide free PDF versions of their work, but its essential to be cautious and verify the authenticity of the source before downloading Johnson 55 Hp Manual. In conclusion, the internet offers numerous platforms and websites that allow users to download free PDF files legally. Whether its classic literature, research papers, or magazines, there is something for everyone. The platforms mentioned in this article, such as Project Gutenberg, Open Library, Academia.edu, and Issuu, provide access to a vast collection of PDF files. However, users should always be cautious and verify the legality of the source before downloading Johnson 55 Hp Manual any PDF files. With these platforms, the world of PDF downloads is just a click away.

FAQs About Johnson 55 Hp Manual Books

How do I know which eBook platform is the best for me? Finding the best eBook platform depends on your reading preferences and device compatibility. Research different platforms, read user reviews, and explore their features before making a choice. Are free eBooks of good quality? Yes, many reputable platforms offer high-quality free eBooks, including classics and public domain works. However, make sure to verify the source to ensure the eBook credibility. Can I read eBooks without an eReader? Absolutely! Most eBook platforms offer web-based readers or mobile apps that allow you to read eBooks on your computer, tablet, or smartphone. How do I avoid digital eye strain while reading eBooks? To prevent digital eye strain, take regular breaks, adjust the font size and background color, and ensure proper lighting while reading eBooks. What the advantage of interactive eBooks? Interactive eBooks incorporate multimedia elements, quizzes, and activities, enhancing the reader engagement and providing a more immersive learning experience. Johnson 55 Hp Manual is one of the best book in our library for free trial. We provide copy of Johnson 55 Hp Manual in digital format, so the resources that you find are reliable. There are also many Ebooks of related with Johnson 55 Hp Manual. Where to download Johnson 55 Hp Manual online for free? Are you looking for Johnson 55 Hp Manual PDF? This is definitely going to save you time and cash in something you should think about.

Find Johnson 55 Hp Manual :

life sciences paper 2 grade 12

lighting reference guide

life sciences grade12 practical memo 2014

life sciences november 2014 paper 2 scope

life science decembe 2014 for grade 11

lightwave 9 manual

life science test questions gradethird term

lifeguard scenario questions and answers

lifespan developmental psychology study guide

life sciences caps final 2014 grade11

life sciences paper1 grade 11 2014 november

life sciences grade12 practical 1 16 february 2015 memorandum

life sciences eastern cape memorandum sept 2014

light and magnetism study guide

lifescience paper1 grade11 term4 memo 2014

Johnson 55 Hp Manual :

jadwal program khusus kurikulum baru 2014 bulan ramadhan - Aug 15 2023

web jadwal progsus ramadhan1 free download as pdf file pdf text file txt or read online for free farmasi unej

jadwal kursus persiapan perkawinan kpp di kaj - Feb 09 2023

web aug 4 2014 senin 04 agustus 2014 pelatihan kecantikan salon spa tweet pelatihan menjadi therapist spa massage

refleksi body massage head massage manicure

jadwal kursus bulan 2014 test downing co uk - Mar 30 2022

web aug 25 2021 İstanbul valiliği ve İstanbul İl milli eğitim müdürlüğü 2021 2022 eğitim öğretim yılına ait çalışma takvimini

açıkladı takvime göre 6 eylül de başlayacak

jadwal kursus bulan 2014 logb fonedog - Dec 07 2022

web açılan sayfada yer alan detayları incelediğimde 16 70 yaş arası herkesin başvurabileceği eğitimlerin ise pazartesi salı

Çarşamba perşembe ve cuma günleri gerçekleşeceği

naomi klinik kecantikan pelatihan kecantikan salon - Jan 08 2023

web jadwal kursus bulan 2014 is available in our digital library an online access to it is set as public so you can get it

instantly our books collection spans in multiple locations

jadwal kursus bulan 2014 help discoveram - Jul 02 2022

web comprehending as without difficulty as understanding even more than further will give each success next to the statement as capably as perception of this jadwal kursus bulan

jadwal kursus bulan 2014 pdf full pdf voto uncal edu - Jul 14 2023

web jadwal kursus bulan 2014 pdf is available in our digital library an online access to it is set as public so you can get it instantly our digital library spans in multiple countries

jadwal kursus bulan 2014 help environment harvard edu - May 12 2023

web jadwal kursus bulan 2014 recognizing the showing off ways to get this book jadwal kursus bulan 2014 is additionally useful you have remained in right site to begin

jadwal kursus bulan 2014 ol wise edu jo - Sep 04 2022

web jadwal kursus offline karinacake bulan maret 2021 setelah lama vacuum akibat pandemi akhirnya kami kembali membuka kelas offline bertatap muka langsung

bsdb - Oct 05 2022

web 2 jadwal kursus bulan 2014 2019 11 14 pengalaman di people development saya yakin buku ini akan memberikan manfaat bagi siapa pun selamat menikmati dan

İstanbul da İřkur kurs kayıtları devam ediyor İsmek kurs - Nov 06 2022

web jul 4 2013 jadwal kursus bulan mei julai 2014 untuk makluman semua di mana kursus yang berkaitan industri pembinaan anjuran pihak kami adalah mendapat

karina s home made - Aug 03 2022

web jadwal kursus bulan 2014 temuramah eksklusif bersama ustaz tajuddin othman abdullah bekas paderi besar gereja gereja seluruh sabah oleh jamilah aini mohd

jadwal kursus bulan 2014 pdf hipertexto - Jun 13 2023

web jadwal kursus bulan 2014 linode ogre3d org jadwal kursus bulan 2014 kendal industrial park kawasan industri terpadu kendal may 11th 2018 kendal dan potensinya yang luar

jadwal kursus bulan 2014 pdf copy - Mar 10 2023

web jadwal kursus bulan 2014 pdf recognizing the exaggeration ways to acquire this ebook jadwal kursus bulan 2014 pdf is additionally useful you have remained in right site to

2022 2023 eğitim Öğretim yılı kur an kursları törenle açıldı - Nov 25 2021

web İstanbul meslek kursları meslek edindirme kursları meslek eğitim meslek eğitim kursları meslek kursları kariyer gelişim kursu meb onaylı sertifika kursları

jadwal kursus bulan 2014 ny ibeco se - Apr 30 2022

web jadwal kursus bulan 2014 downloaded from test downing co uk by guest braedon hancock best of sri lanka dan maladewa routledge seseorang yang menjadikan

jadwal kursus bulan 2014 uniport edu ng - Apr 11 2023

web mar 8 2023 jadwal kursus bulan 2014 2 13 downloaded from uniport edu ng on march 8 2023 by guest sebulan cepat belajar bahasa jerman reny yuniawati 2014 12 01 buku

jadwal kursus kahwin bulan februari 2014 - Dec 27 2021

web sep 19 2022 2022 2023 eğitim Öğretim yılı kur an kursları törenle açıldı 19 09 2022 İstanbul valisi ali yerlikaya nın katılımıyla 2022 2023 eğitim Öğretim yılı kur an kursları

jadwal kursus bulan 2014 beta login rschooltoday com - Jun 01 2022

web 4 jadwal kursus bulan 2014 2023 01 03 trying to forget the lost love of her past as vice president of the sinister knights ryker beckett has proven his dedication and loyalty by

jadwal kursus bulan 2014 lindungibumi bayer com - Jan 28 2022

web feb 10 2014 berikut adalah jadwal terkini kursus kahwin kami di uptown danau kota 1 sabtu ahad 15 16hb feb 2014 2 sabtu ahad 22 23hb feb 2014 3 rabu

İstanbul da 2021 2022 eğitim öğretim yılı takvimi açıklandı - Feb 26 2022

web mei 2014 untuk memperhatikan sopan santun beremail ria jadwal kursus kue amp masakan surabaya tristar culinary may 11th 2018 jadwal kursus bulan mei

İstanbul kariyer gelişim kursu Ümraniye meslek edindirme kursları - Oct 25 2021

web apr 25 2023 jadwal kursus bulan 2014 when people should go to the ebook stores search inauguration by shop shelf by shelf it is in reality problematic this is why we

jadwal kursus bulan 2014 lcod clozmaster com - Sep 23 2021

quel che finisce bene storie di bambini intorno al mondo - Jan 08 2023

web quel che finisce bene storie di bambini intorno al mondo di piemini roberto su abebooks it isbn 10 8856648431 isbn 13 9788856648430 piemme 2016 rilegato storie di bambini intorno al mondo piemini roberto 9788856648430 abebooks

quel che finisce bene storie di bambini intorno al mondo - Dec 07 2022

web quel che finisce bene storie di bambini intorno al mondo 9788856648430 books amazon ca

quel che finisce bene storie di bambini intorno al mondo - May 12 2023

web acquista online il libro quel che finisce bene storie di bambini intorno al mondo di roberto piemini in offerta a prezzi imbattibili su mondadori store carta payback di mondadori

quel che finisce bene storie di bambini intorno a - Apr 30 2022

web che finisce bene storie di bambini intorno a but end up in harmful downloads rather than enjoying a good book with a cup of tea in the afternoon instead they juggled with some malicious virus inside their computer quel che finisce bene storie di bambini intorno a is available in our book collection an online access to it is set as public

quel che finisce bene storie di bambini intorno al mondo - Sep 04 2022

web quel che finisce bene storie di bambini intorno al mondo piumini roberto da re g isbn 9788856648430 kostenloser versand für alle bücher mit versand und verkauf duch amazon

100 storie di bambini che non hanno avuto paura e hanno cambiato il mondo - Dec 27 2021

web mar 4 2019 e hanno cambiato il mondo 100 storie di bambini che non hanno avuto paura e hanno cambiato il mondo storie per bambini che hanno il coraggio di essere unici racconta di ragazzi che hanno osato essere differenti e hanno cambiato il mondo come alan turing c erano una volta i libri per i maschi storie di draghi principi azzurri

amazon it recensioni clienti quel che finisce bene storie di bambini - Aug 03 2022

web consultare utili recensioni cliente e valutazioni per quel che finisce bene storie di bambini intorno al mondo su amazon it consultare recensioni obiettive e imparziali sui prodotti fornite dagli utenti

quel che finisce bene storie di bambini intorno al mondo - Jun 13 2023

web quel che finisce bene storie di bambini intorno al mondo piumini roberto da re giovanni amazon it libri

quel che finisce bene storie di bambini intorno al mondo - Nov 06 2022

web quel che finisce bene storie di bambini intorno al mondo consuelo karim bem neré casimiro eden tilly mihal tripti nove nomi nove ragazzi nove storie di possibile felicità da paesi diversi e attraverso esperienze difficili ognuno dei protagonisti raggiunge da solo o con l aiuto di qualcuno una vita migliore

quel che finisce bene storie di bambini intorno al mondo by - Jun 01 2022

web quel che finisce bene storie di bambini intorno al mondo may 20th 2020 quel che finisce bene storie di bambini intorno al mondo consuelo karim bem neré casimiro eden tilly mihal tripti nove nomi nove ragazzi nove storie di possibile felicità da paesi diversi e attraverso esperienze difficili

quel che finisce bene storie di bambini intorno al mondo - Jul 14 2023

web oct 25 2016 quel che finisce bene storie di bambini intorno al mondo sono nove storie di nove ragazzi alla ricerca della propria strada verso il sorriso ognuno ha diritto alla felicità alla bellezza della vita e a stare bene ogni bambino del mondo dovrebbe avere tutto ciò che desidera amore benessere e spensieratezza ma molte volte non è così

storia della letteratura per l infanzia tesina tesina di italiano - Jan 28 2022

web quando la televisione non c era quando i videogiochi non occupavano il ruolo preponderante che hanno oggi nella vita

dei bambini una consuetudine per i più piccoli era quella di ascoltare i racconti dei nonni che attingevano al repertorio delle favole o inventavano con la loro fantasia storie che diventavano interminabili poiché non veniva

quel che finisce bene storie di bambini intorno al mondo - Mar 10 2023

web quel che finisce bene storie di bambini intorno al mondo piumini roberto da re giovanni amazon com au books

quel che finisce bene storie di bambini intorno a book - Mar 30 2022

web quel che finisce bene storie di bambini intorno a watching pages reading pictures sep 25 2021 italian cinema is internationally well known for the ground breaking experience of neo realism comedy italian style spaghetti westerns and the horror movies of the seventies however what is rather unfamiliar to wider

quel che finisce bene storie di bambini intorno al mondo - Oct 05 2022

web quel che finisce bene storie di bambini intorno al mondo è un libro scritto da roberto piumini pubblicato da piemme nella collana il battello a vapore libreria it

amazon com customer reviews quel che finisce bene storie di bambini - Jul 02 2022

web find helpful customer reviews and review ratings for quel che finisce bene storie di bambini intorno al mondo at amazon com read honest and unbiased product reviews from our users

quel che finisce bene storie di bambini intorno al mondo - Apr 11 2023

web nove nomi nove ragazzi nove storie di possibile felicità da paesi diversi e attraverso esperienze difficili ognuno dei protagonisti raggiunge da solo o con l'aiuto di qualcuno una vita migliore lasciandoci la certezza che sia possibile un mondo in cui i diritti dei bambini non siano solo un sogno con la prefazione di samantha

quel che finisce bene storie di bambini intorno al mondo - Feb 09 2023

web storie di bambini intorno al mondo 9788856648430 by piumini roberto and a great selection of similar new used and collectible books available now at great prices quel che finisce bene storie di bambini intorno al mondo piumini roberto 9788856648430

quel che finisce bene storie di bambini intorno al mondo - Aug 15 2023

web non c'è bambino o bambina al mondo anche nel luogo più remoto e nelle condizioni più difficili che non senta dentro di sé la potenza dei sogni samantha cristoforetti consuelo karim bem neré casimiro eden tilly mihal tripti

quel che finisce bene storie di bambini intorno a full pdf - Feb 26 2022

web quel che finisce bene storie di bambini intorno a vuoi litigare facciamolo bene otto storie per capirsi e riscoprire il gioco di coppia may 11 2020 litigare è giusto è inevitabile ma va fatto bene occorre conoscere cosa si nasconde dietro i nostri litigi ripetitivi che non portano a nulla per trasformarli in momenti produttivi e

essentials of mis global edition 12th edition laudon test bank - Jun 05 2022

essentials of management information systems 11e laudon chapter 12 building information systems and managing projects a native app is one that is designed to run on a specific

essentials of mis 12e kenneth c laudon jane p laudon test - Feb 01 2022

test bank for essentials of mis 14th edition laudon test bank - Oct 29 2021

management information systems testbank answers - Aug 19 2023

essentials of mis 12th edition laudon test bank free download as pdf file pdf text file txt or read online for free test bank

management information systems 12th edition laudon test bank - Jun 17 2023

test bank for essentials of mis global edition 12th edition laudon test bank for essentials of mis global edition 12th edition jane laudon kenneth c laudon isbn 10

essentials of mis 11e chapter 12 test bank studocu - Dec 31 2021

essentials of mis 12th edition laudon test bank issuu - May 16 2023

test bank for essentials of mis global edition 12e laudon test bank for essentials of mis global edition 12th edition jane laudon kenneth c laudon isbn 10 1292153776

essentials of mis 12th edition laudon test bank - Nov 10 2022

test bank for essentials of mis global edition 12th edition jane laudon kenneth c laudon isbn 10 1292153776 isbn 13 9781292153773

test bank for management information systems 12th edition - Sep 20 2023

test bank for management information systems 12th edition kenneth c laudon 1 read online for free

essentials of mis 12th edition laudon test bank pdf scribd - Jul 18 2023

management information systems 12th edition laudon test bank full download alibabadownload com product management information systems 12th edition laudon

test bank mis 12th edition laudon blogs post gazette com - Nov 29 2021

test bank for essentials of mis 12e laudon test bank - Dec 11 2022

preview text management information systems 14e laudon chapter 1 information systems in global business today the six important business objectives of information technology are

essentials of mis 12th edition laudon test bank icelark - Apr 03 2022

test bank for essentials of mis 14th edition laudon test bank for essentials of mis 14th edition kenneth c laudon jane p laudon isbn 10 0136500811 isbn 13

chapter 1 test bank management information systems 14e - Jul 06 2022

buy and download essentials of mis 12e kenneth c laudon jane p laudon test bank test bank solutions manual instructor manual cases we accept bitcoin instant download

chapter 12 test bank management information systems 14e - May 04 2022

title test bank mis 12th edition laudon author blogs post gazette com 2023 10 13t00 00 00 00 01 subject test bank mis 12th edition laudon keywords

solution manual for essentials of mis 12th edition by laudon - Sep 08 2022

test bank for essentials of mis 12th edition laudon you get immediate access to download your test bank to clarify this is the test bank not the textbook you will receive a

management information systems 12th edition - Apr 15 2023

test bank for essentials of mis 12th edition by laudon test bank for essentials of mis 12th edition by laudon skip to content sales testbankaplus com 24 7 365 menu test bank

test bank for essentials of mis global edition 12th edition - Feb 13 2023

solution manual for essentials of mis 12th edition by laudon isbn 0134238249 9780134238241 full link download solution manual testbankpack com p solution

essentials of mis 12th edition laudon test bank issuu - Mar 14 2023

this is a nursing test bank study questions to help you better prepare for your tests and exam studies essentials of mis 12th edition laudon test bank provides a thorough

test bank for essentials of mis global edition 12e laudon - Jan 12 2023

mar 9 2018 essentials of mis 12th edition laudon test bank march 9 2018 author lime category business process customer relationship management management information

essentials of mis 12th edition laudon solutions manual - Mar 02 2022

essentials of mis 12th edition laudon test bank - Aug 07 2022

you are buying solutions manual for essentials of mis 12th edition by laudon solutions manual comes in a pdf or word format and available for download only essentials of mis

essentials of mis 12th edition laudon test bank nursexams - Oct 09 2022

chapter 12 test bank management information systems 14e laudon chapter 12 enhancing decision studocu test bank

management information systems 14e laudon