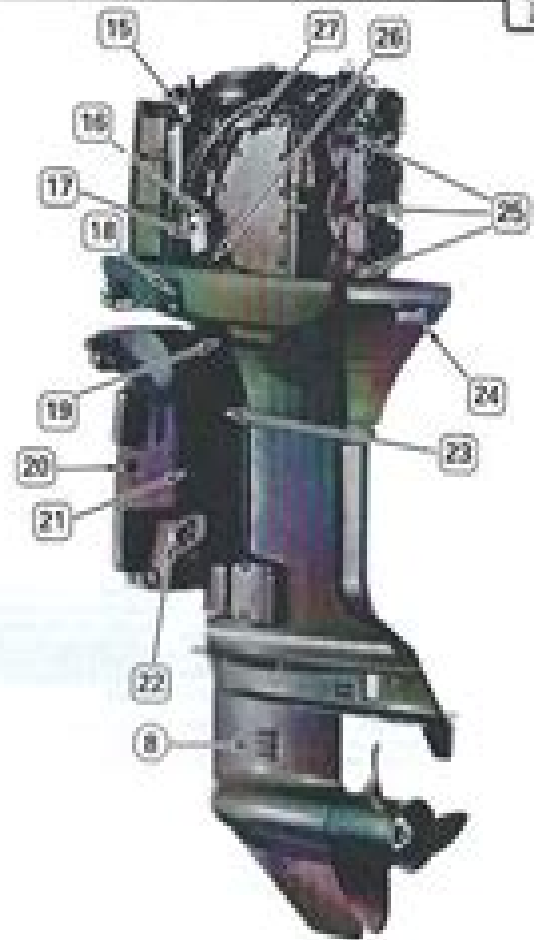


| Item | Description                 | Page   |
|------|-----------------------------|--------|
| 1    | Water Pump Indicator        | 11     |
| 2    | Trimming Tilt Switch        | 11     |
| 3    | Tilt Support Lever          | 11     |
| 4    | Adjustment Knobs            | 11     |
| 5    | Tilt Tab                    | 26, 27 |
| 6    | Propeller (not supplied)    | 26, 27 |
| 7    | Adjustment Screw of S. Plug | 26     |

| Item | Description              | Page |
|------|--------------------------|------|
| 8    | Water Intake             | 11   |
| 9    | Adjustment Level Plug    | 11   |
| 10   | Power Trim Tilt Pedestal | 11   |
| 11   | Tilt Lock Switch         | 11   |
| 12   | Power Switch             | 11   |
| 13   | Remote Control           | 11   |
| 14   | Cle and Lanyard Assembly | 11   |



| Item | Description       | Page |
|------|-------------------|------|
| 15   | Water Muff Filter | 11   |
| 16   | Water Pump Filter | 11   |
| 17   | Water Pump Filter | 11   |
| 18   | Water Pump Filter | 11   |
| 19   | Water Pump Filter | 11   |
| 20   | Water Pump Filter | 11   |
| 21   | Water Pump Filter | 11   |
| 22   | Water Pump Filter | 11   |
| 23   | Water Pump Filter | 11   |
| 24   | Water Pump Filter | 11   |
| 25   | Water Pump Filter | 11   |
| 26   | Water Pump Filter | 11   |
| 27   | Water Pump Filter | 11   |
| 28   | Water Pump Filter | 11   |

| Item | Description                   | Page |
|------|-------------------------------|------|
| 1    | Oil Control Valve             | 11   |
| 2    | Model and Serial Number Plate | 11   |
| 3    | Engine Cover Latch            | 11   |
| 4    | Spark Plug                    | 11   |
| 5    | Water Pressure Tap            | 11   |
| 6    | Fuel                          | 11   |

# Johnson 70 Hp Outboard Motor Manual

**Christian G. Meyer**



## Johnson 70 Hp Outboard Motor Manual:

**Johnson/Evinrude Four-stroke outboard Motor Shop Manual** Penton Staff,2000-05-24 5 HP 1997 2001 6 HP 1997 2001 8 HP 1995 2001 9 9 HP 211cc 1997 1998 9 9 HP 305cc 1995 2001 15 HP 1995 2001 40 HP 1999 2001 50 HP 1999 2001 70 HP 1999 2001 Johnson's Marine Manual ,1920 **Boating** ,1973-07 Index of Technical Publications United States. Department of the Army,1977 Outboard Motor Service Manual Intertec Publishing,1987 Detailed tips on periodic servicing troubleshooting general maintenance and repair are explicitly outlined in this manual Repair is easy with the specifications and step by step repair procedures included for hundreds of models Volume II covers models with 30hp and above **Index of Supply Manuals, Corps of Engineers** United States. Department of the Army,1955 **Field & Stream** ,1975-12 FIELD STREAM America s largest outdoor sports magazine celebrates the outdoor experience with great stories compelling photography and sound advice while honoring the traditions hunters and fishermen have passed down for generations *Field Manuals* United States. War Department,1946 **Field & Stream** ,1973-12 FIELD STREAM America s largest outdoor sports magazine celebrates the outdoor experience with great stories compelling photography and sound advice while honoring the traditions hunters and fishermen have passed down for generations Boating ,1961-01

**Outboard Motor Service Manual: Motors below 30 hp** ,1979 **Johnson's New Handy Manual on Plumbing, Heating, Ventilating, and Mechanical Refrigeration** John Weeks Johnson,1920 **Popular Mechanics** ,1980-11 Popular Mechanics inspires instructs and influences readers to help them master the modern world Whether it s practical DIY home improvement tips gadgets and digital technology information on the newest cars or the latest breakthroughs in science PM is the ultimate guide to our high tech lifestyle Popular Mechanics ,1980-11 Popular Mechanics inspires instructs and influences readers to help them master the modern world Whether it s practical DIY home improvement tips gadgets and digital technology information on the newest cars or the latest breakthroughs in science PM is the ultimate guide to our high tech lifestyle Field & Stream ,1978-12 FIELD STREAM America s largest outdoor sports magazine celebrates the outdoor experience with great stories compelling photography and sound advice while honoring the traditions hunters and fishermen have passed down for generations **MotorBoating** ,1979-12 **MotorBoating** ,1979-06

**MotorBoating** ,1961-01 **Evinrude/Johnson Outboard Shop Manual** Editors of Haynes Manuals,2015-01-15 Evinrude Johnson 2 70 HP two stroke outboards including Jet Drive models manual Clymer Marine and PWC manuals are the 1 source for DIY maintenance troubleshooting and repair With step by step procedures combined with detailed photography and extensive use of exploded parts views Clymer manuals are a must have tool for the do it yourselfer Models Covered Evinrude Johnson 15 HP 1995 2007 ManualEvinrude Johnson 18 Jet 1995 2007 ManualEvinrude Johnson 2 HP 1995 2007 ManualEvinrude Johnson 20 HP 1995 2007 ManualEvinrude Johnson 25 HP 1995 2007 ManualEvinrude Johnson 28 Jet 1995 2007 ManualEvinrude Johnson 28 Special 1995 2007 ManualEvinrude Johnson 3 HP 1995 2007 ManualEvinrude Johnson 3 3

HP 1995 2007 ManualEvinrude Johnson 3 5 HP 1995 2007 ManualEvinrude Johnson 30 HP 1995 2007 ManualEvinrude  
Johnson 35 HP 1995 2007 ManualEvinrude Johnson 4 Deluxe 1995 2007 ManualEvinrude Johnson 4 HP 1995 2007  
ManualEvinrude Johnson 40 HP 1995 2007 ManualEvinrude Johnson 48 Special 1995 2007 ManualEvinrude Johnson 50 HP  
1995 2007 ManualEvinrude Johnson 50 Special 1995 2007 ManualEvinrude Johnson 6 HP 1995 2007 ManualEvinrude  
Johnson 60 HP 1995 2007 ManualEvinrude Johnson 70 HP 1995 2007 ManualEvinrude Johnson 8 HP 1995 2007  
ManualEvinrude Johnson 9 9 HP 1995 2007 Boating ,1962-01

Delve into the emotional tapestry woven by in Experience **Johnson 70 Hp Outboard Motor Manual** . This ebook, available for download in a PDF format ( PDF Size: \*), is more than just words on a page; itis a journey of connection and profound emotion. Immerse yourself in narratives that tug at your heartstrings. Download now to experience the pulse of each page and let your emotions run wild.

[https://staging.conocer.cide.edu/book/scholarship/Documents/kmart\\_basic\\_edition\\_shorts.pdf](https://staging.conocer.cide.edu/book/scholarship/Documents/kmart_basic_edition_shorts.pdf)

## **Table of Contents Johnson 70 Hp Outboard Motor Manual**

1. Understanding the eBook Johnson 70 Hp Outboard Motor Manual
  - The Rise of Digital Reading Johnson 70 Hp Outboard Motor Manual
  - Advantages of eBooks Over Traditional Books
2. Identifying Johnson 70 Hp Outboard Motor Manual
  - Exploring Different Genres
  - Considering Fiction vs. Non-Fiction
  - Determining Your Reading Goals
3. Choosing the Right eBook Platform
  - Popular eBook Platforms
  - Features to Look for in an Johnson 70 Hp Outboard Motor Manual
  - User-Friendly Interface
4. Exploring eBook Recommendations from Johnson 70 Hp Outboard Motor Manual
  - Personalized Recommendations
  - Johnson 70 Hp Outboard Motor Manual User Reviews and Ratings
  - Johnson 70 Hp Outboard Motor Manual and Bestseller Lists
5. Accessing Johnson 70 Hp Outboard Motor Manual Free and Paid eBooks
  - Johnson 70 Hp Outboard Motor Manual Public Domain eBooks
  - Johnson 70 Hp Outboard Motor Manual eBook Subscription Services
  - Johnson 70 Hp Outboard Motor Manual Budget-Friendly Options

6. Navigating Johnson 70 Hp Outboard Motor Manual eBook Formats
  - ePub, PDF, MOBI, and More
  - Johnson 70 Hp Outboard Motor Manual Compatibility with Devices
  - Johnson 70 Hp Outboard Motor Manual Enhanced eBook Features
7. Enhancing Your Reading Experience
  - Adjustable Fonts and Text Sizes of Johnson 70 Hp Outboard Motor Manual
  - Highlighting and Note-Taking Johnson 70 Hp Outboard Motor Manual
  - Interactive Elements Johnson 70 Hp Outboard Motor Manual
8. Staying Engaged with Johnson 70 Hp Outboard Motor Manual
  - Joining Online Reading Communities
  - Participating in Virtual Book Clubs
  - Following Authors and Publishers Johnson 70 Hp Outboard Motor Manual
9. Balancing eBooks and Physical Books Johnson 70 Hp Outboard Motor Manual
  - Benefits of a Digital Library
  - Creating a Diverse Reading Collection Johnson 70 Hp Outboard Motor Manual
10. Overcoming Reading Challenges
  - Dealing with Digital Eye Strain
  - Minimizing Distractions
  - Managing Screen Time
11. Cultivating a Reading Routine Johnson 70 Hp Outboard Motor Manual
  - Setting Reading Goals Johnson 70 Hp Outboard Motor Manual
  - Carving Out Dedicated Reading Time
12. Sourcing Reliable Information of Johnson 70 Hp Outboard Motor Manual
  - Fact-Checking eBook Content of Johnson 70 Hp Outboard Motor Manual
  - Distinguishing Credible Sources
13. Promoting Lifelong Learning
  - Utilizing eBooks for Skill Development
  - Exploring Educational eBooks
14. Embracing eBook Trends
  - Integration of Multimedia Elements

- Interactive and Gamified eBooks

### **Johnson 70 Hp Outboard Motor Manual Introduction**

In today's digital age, the availability of Johnson 70 Hp Outboard Motor Manual books and manuals for download has revolutionized the way we access information. Gone are the days of physically flipping through pages and carrying heavy textbooks or manuals. With just a few clicks, we can now access a wealth of knowledge from the comfort of our own homes or on the go. This article will explore the advantages of Johnson 70 Hp Outboard Motor Manual books and manuals for download, along with some popular platforms that offer these resources. One of the significant advantages of Johnson 70 Hp Outboard Motor Manual books and manuals for download is the cost-saving aspect. Traditional books and manuals can be costly, especially if you need to purchase several of them for educational or professional purposes. By accessing Johnson 70 Hp Outboard Motor Manual versions, you eliminate the need to spend money on physical copies. This not only saves you money but also reduces the environmental impact associated with book production and transportation. Furthermore, Johnson 70 Hp Outboard Motor Manual books and manuals for download are incredibly convenient. With just a computer or smartphone and an internet connection, you can access a vast library of resources on any subject imaginable. Whether you're a student looking for textbooks, a professional seeking industry-specific manuals, or someone interested in self-improvement, these digital resources provide an efficient and accessible means of acquiring knowledge. Moreover, PDF books and manuals offer a range of benefits compared to other digital formats. PDF files are designed to retain their formatting regardless of the device used to open them. This ensures that the content appears exactly as intended by the author, with no loss of formatting or missing graphics. Additionally, PDF files can be easily annotated, bookmarked, and searched for specific terms, making them highly practical for studying or referencing. When it comes to accessing Johnson 70 Hp Outboard Motor Manual books and manuals, several platforms offer an extensive collection of resources. One such platform is Project Gutenberg, a nonprofit organization that provides over 60,000 free eBooks. These books are primarily in the public domain, meaning they can be freely distributed and downloaded. Project Gutenberg offers a wide range of classic literature, making it an excellent resource for literature enthusiasts. Another popular platform for Johnson 70 Hp Outboard Motor Manual books and manuals is Open Library. Open Library is an initiative of the Internet Archive, a non-profit organization dedicated to digitizing cultural artifacts and making them accessible to the public. Open Library hosts millions of books, including both public domain works and contemporary titles. It also allows users to borrow digital copies of certain books for a limited period, similar to a library lending system. Additionally, many universities and educational institutions have their own digital libraries that provide free access to PDF books and manuals. These libraries often offer academic texts, research papers, and technical manuals, making them invaluable resources for students and researchers. Some notable examples include MIT OpenCourseWare,

which offers free access to course materials from the Massachusetts Institute of Technology, and the Digital Public Library of America, which provides a vast collection of digitized books and historical documents. In conclusion, Johnson 70 Hp Outboard Motor Manual books and manuals for download have transformed the way we access information. They provide a cost-effective and convenient means of acquiring knowledge, offering the ability to access a vast library of resources at our fingertips. With platforms like Project Gutenberg, Open Library, and various digital libraries offered by educational institutions, we have access to an ever-expanding collection of books and manuals. Whether for educational, professional, or personal purposes, these digital resources serve as valuable tools for continuous learning and self-improvement. So why not take advantage of the vast world of Johnson 70 Hp Outboard Motor Manual books and manuals for download and embark on your journey of knowledge?

### **FAQs About Johnson 70 Hp Outboard Motor Manual Books**

How do I know which eBook platform is the best for me? Finding the best eBook platform depends on your reading preferences and device compatibility. Research different platforms, read user reviews, and explore their features before making a choice. Are free eBooks of good quality? Yes, many reputable platforms offer high-quality free eBooks, including classics and public domain works. However, make sure to verify the source to ensure the eBook credibility. Can I read eBooks without an eReader? Absolutely! Most eBook platforms offer web-based readers or mobile apps that allow you to read eBooks on your computer, tablet, or smartphone. How do I avoid digital eye strain while reading eBooks? To prevent digital eye strain, take regular breaks, adjust the font size and background color, and ensure proper lighting while reading eBooks. What the advantage of interactive eBooks? Interactive eBooks incorporate multimedia elements, quizzes, and activities, enhancing the reader engagement and providing a more immersive learning experience. Johnson 70 Hp Outboard Motor Manual is one of the best book in our library for free trial. We provide copy of Johnson 70 Hp Outboard Motor Manual in digital format, so the resources that you find are reliable. There are also many Ebooks of related with Johnson 70 Hp Outboard Motor Manual. Where to download Johnson 70 Hp Outboard Motor Manual online for free? Are you looking for Johnson 70 Hp Outboard Motor Manual PDF? This is definitely going to save you time and cash in something you should think about.

### **Find Johnson 70 Hp Outboard Motor Manual :**

~~kmart basic edition shorts~~



[kobelco sk200 8 sk210lc 8 hydraulic excavator service repair manual](#)

[kissimmee vacation guide](#)

**knowing the moment**

**kodak easyshare dx6490 user manual**

[kmtc 2015 2016 applications](#)

[kmtc intake 2015march ftwitter](#)

**knot tying guide**

[kmtc nairobi 2015 2016 intake and fees structure](#)

[kissing frogs in cyberspace one english edition](#)

[kobelco 708crane operators manual](#)

[kitchenaid refrigerator kses25fkss01 manual](#)

[knight workbook solutions physics 16](#)

**kitchenaid gas cooktop user guide**

[knitting pattern hat in candle stitch in size child adult](#)

## **Johnson 70 Hp Outboard Motor Manual :**

**maus ii a survivor s tale and here my troubles began** - Jun 22 2022

web published september 1992 by pantheon reprint paperback 144 pages more details want to read rate this book 1 of 5 stars 2 of 5 stars 3 of 5 stars 4 of 5 stars 5 of 5 stars maus

*maus a survivor s tale book ii and here my troubles began* - Sep 06 2023

web a summary of book ii and here my troubles began chapter 1 mauschwitz in art spiegelman s maus a survivor s tale learn exactly what happened in this chapter

**maus a survivor s tale chapter 3 and here my troubles** - Jul 04 2023

web sep 1 1992 description the bestselling second installment of the graphic novel acclaimed as the most affecting and successful narrative ever done about the holocaust wall

**maus ii a survivor s tale and here my troubles** - Jan 30 2023

web maus ii a survivor s tale and here my troubles began author art spiegelman author summary a memoir of vladek spiegelman a jewish survivor of hitler s europe and

**maus ii and here my troubles began open library** - Nov 27 2022

web details or fastest delivery friday october 13 order within 5 hrs 34 mins details select delivery location in stock quantity

buy now payment secure transaction ships from  
[editions of maus ii a survivor s tale and here my troubles](#) - May 22 2022

web maus ii a survivor s tale and here my troubles began pantheon graphic library band 2 02 spiegelman art amazon com tr  
kitab

**maus ii a survivor s tale and here my troubles began** - Aug 25 2022

web maus ii a survivor s tale and here my troubles began school library binding illustrated sept 8 1992

[maus ii a survivor s tale and here my troubles began](#) - Oct 27 2022

web this long awaited sequel subtitled and here my troubles began moves us from the barracks of auschwitz to the  
bungalows of the catskills genuinely tragic and comic by

**maus a survivor s tale part ii and here my troubles began** - Apr 01 2023

web buy maus ii a survivor s tale and here my troubles began reprint by spiegelman art isbn 9780679729778 from amazon s  
book store everyday low prices and free

[maus ii a survivor s tale and here my troubles began](#) - Dec 29 2022

web dec 9 2022 this second volume subtitled and here my troubles began moves us from the barracks of auschwitz to the  
bungalows of the catskills genuinely tragic and comic

**maus a survivor s tale full book summary sparknotes** - Nov 15 2021

**maus ii a survivor s tale and here my troubles began** - Dec 17 2021

web full book summary maus a survivor s tale is the illustrated true story of vladek spiegelman s experiences during world  
war ii as told by his son artie it consists of

**maus ii a survivor s tale and here my troubles began** - Jun 03 2023

web sep 1 1992 maus is a haunting tale within a tale weaving the author s account of his tortured relationship with his  
aging father into an astonishing retelling of one of history s

**review maus ii a survivor s tale and here my troubles began** - Mar 20 2022

web maus is a haunting tale within a tale weaving the author s account of his tortured relationship with his aging father into  
an astonishing retelling of one of history s most

[maus ii a survivor s tale and here my troubles began](#) - Feb 28 2023

web maus ties together two powerful stories vladek s harrowing tale of survival against all odds delineating the paradox of  
daily life in the death camps and the author s account

**maus a survivor s tale i and ii 2 volume set unknown binding** - Jan 18 2022

web jan 1 1993 [maus ii a survivor s tale and here my troubles began](#) paperback january 1 1993 by art spiegelman author 4 8 out of 5 stars 3 392 ratings

**maus ii a survivor s tale and here my troubles began** - Apr 20 2022

web jan 28 2023 [about maus ii a survivor s tale and here my troubles began](#) acclaimed as a quiet triumph and a brutally moving work of art the first volume of art spiegelman s

[maus ii a survivor s tale and here my troubles began](#) - May 02 2023

web sep 1 1992 [maus a survivor s tale part ii and here my troubles began](#) library binding illustrated september 1 1992 by art spiegelman author 4 8 out of 5 stars

**maus ii a survivor s tale and here my troubles began** - Oct 07 2023

web jan 1 2001 [4 41 145 968 ratings 4 539 reviews](#) acclaimed as a quiet triumph and a brutally moving work of art the first volume of art spiegelman s maus introduced readers

**maus ii a survivor s tale and here my troubles began** - Sep 25 2022

web sep 1 1992 [maus i was the first half of the tale of survival of the author s parents charting their desperate progress from pre war poland auschwitz here is the](#)

**maus ii a survivor s tale and here my troubles began** - Aug 05 2023

web a summary of chapter 3 and here my troubles began in art spiegelman s maus a survivor s tale learn exactly what happened in this chapter scene or section of

**maus ii a survivor s tale and here my troubles began** - Jul 24 2022

web nov 15 1991 [here vladek is a bitter and needy old man a neurotic hoarder who may have driven his wife art s mother to suicide it s not a flattering picture nor is the artist s](#)

[maus ii a survivor s tale and here my troubles began](#) - Feb 16 2022

web [maus a survivor s tale i and ii 2 volume set on amazon com free shipping on qualifying offers](#) maus a survivor s tale i and ii 2 volume set maus ii a

**answer key to biostatistics burt gers full pdf data northitalia** - Jul 13 2023

web [answer key to biostatistics burt gers solved isbn13 978128402547basic biostatistics statistics answer key to pdf answer key to biostatistics burt basic biostatistics by b burt gerstman summary points and answer key to biostatistics burt gerstman free textbook pdf basic biostatistics gerstman](#)

**answer key to biostatistics burt gers download only** - Aug 14 2023

web [answer key to biostatistics burt gers biostatistics jun 07 2022](#) this new edition of the book will be produced in two versions the textbook will include a cd rom with two videotaped lectures by the authors this book translates biostatistics in

the health sciences literature with clarity and irreverence

**answer key to biostatistics burt gers full pdf textra com** - Jul 01 2022

web answer key to biostatistics burt gers 1 answer key to biostatistics burt gers analysis of variance design and regression pediatric and adolescent osteosarcoma research methodology essential dental public health burt lancaster essentials of pharmacoeconomics learning statistics with r handbook of statistical genetics salsa

**answer key to biostatistics burt gers download only** - Apr 10 2023

web answer key to biostatistics burt gerstman joomlaxe com basic biostatistics statistics for public health practice statistics exam 1 review solutions statistics for public health practice statistics

answer key to biostatistics burt gers pdf pdf support ortax - Sep 15 2023

web title answer key to biostatistics burt gers pdf pdf support ortax org created date 9 14 2023 9 51 47 pm

*answer key to biostatistics burt gers pdf pdf* - Aug 02 2022

web aug 21 2023 ease as evaluation answer key to biostatistics burt gers pdf what you next to read bayesian biostatistics donald a berry 2018 10 03 this work provides descriptions explanations and examples of the bayesian approach to statistics demonstrating the utility of bayesian methods for analyzing real world problems in the

*answer key to biostatistics burt gers* - May 11 2023

web this answer key to biostatistics burt gers by online you might not require more era to spend to go to the ebook launch as well as search for them in some cases you likewise do not discover the notice answer key to biostatistics burt gers that you are looking for it will unconditionally squander the time

**answer key to biostatistics burt gers pdf free** - Nov 05 2022

web key points comprehensive guide to biostatistics for medical students covers research methodology statistical tests data interpretation probability and more includes other statistical concepts such as demographics and life tables

*read free answer key to biostatistics burt gers* - Sep 03 2022

web answer key to biostatistics burt gers essentials of health policy and law jan 13 2021 given the prominent role played by policy and law in the health of all americans the aim of this book is to help readers understand the broad context of health policy and law the essential policy and legal

**basic biostatistics statistics for public health practice** - Mar 09 2023

web basic biostatistics is a concise introductory text that covers biostatistical principles and focuses on the common types of data encountered in public health and biomedical fields the text puts equal emphasis on exploratory and confirmatory statistical methods sampling

**answer key to biostatistics burt gers 2023** - Jan 07 2023

web answer key to biostatistics burt gers fractals graphics and mathematics education may 07 2022 fractal geometry is a recent edition to the collection of mathematical tools for describing nature and is the first to focus on roughness fractal geometry also appears in art music and literature most often without being

**answer key to biostatistics burt gers download only** - Jun 12 2023

web answer key to biostatistics burt gers how to do ecology jul 02 2021 the essential guide to successful ecological research now updated and expanded most books and courses in ecology cover facts and concepts but don t explain how to actually do ecological research how to do ecology provides nuts and

**answer key to biostatistics burt gers tracey wade copy** - Dec 06 2022

web answer key to biostatistics burt gers answer key to biostatistics burt gers 1 downloaded from resources jsheld com on 2020 02 29 by guest answer key to biostatistics burt gers right here we have countless book answer key to biostatistics burt gers and collections to check out we additionally provide variant types and as well

*answer key to biostatistics burt gers dummytext in* - Oct 04 2022

web mar 25 2023 harmful virus inside their computer answer key to biostatistics burt gers is clear in our digital library an online entry to it is set as public so you can download it instantly our digital library saves in combined countries allowing you to acquire the most less latency times to download any of our books gone this one

answer key to biostatistics burt gers oldshit fatwreck - Apr 29 2022

web answer key to biostatistics burt gers statistical analysis and data display common errors in statistics and how to avoid them exposed science health united states with urban and rural health chartbook basic biostatistics relieving pain in america mostly harmless econometrics environmental aspects of zoonotic diseases

**basic biostatistics statistics for public health practice** - Feb 25 2022

web feb 21 2014 basic biostatistics statistics for public health practice is a comprehensive textbook that covers the essential concepts and methods of biostatistics for public health students and practitioners it includes practical examples exercises and online resources to help you master the skills and applications of biostatistics

*answer key to biostatistics burt gers database grovemade* - Mar 29 2022

web 4 answer key to biostatistics burt gers 2020 10 31 econometric techniques are typically unnecessary and even dangerous the applied econometric methods emphasized in this book are easy to use and relevant for many areas of contemporary social science an irreverent review of econometric essentials a focus on tools that applied researchers use

answer key to biostatistics burt gers old syndeohro - May 31 2022

web answer key to biostatistics burt gers 3 3 and sampling variance correlation regression analysis spatial patterns spatial data reduction using factor analysis and cluster analysis new examples from physical geography and additional real world

examples updated in text and online exercises along with downloadable datasets

[biostatistics nuhs research support unit](#) - Feb 08 2023

web articles in singapore medical journal 1 randomised controlled trials rcts essentials vol 44 2 60 63 2003 2 randomised controlled

**basic biostatistics by b burt gerstman summary points and objectives** - Oct 16 2023

web biostatistics is more than a compilation of computational techniques identify the main types of measurement scales quantitative ordinal and categorical understand the layout of a data table observations variables values appreciate the essential nature of data quality gigo principle

**grb a text book of physical chemistry for competitions** - May 08 2023

web grb a text book of physical chemistry for competitions 1st year programme o p tandon a s singh search review text filters no one has reviewed this book yet be the first join the discussion add a quote start a discussion ask a question can t find what you re looking for

*buy grb a textbook of physical chemistry for neet all other* - Dec 03 2022

web grb a textbook of physical chemistry for neet all other competitive entrance examinations based on ncert paperback 1 august 2020 by dr o p tandon author dr a s singh author 4 4 564 ratings see all formats and editions

[chatgpt detector catches ai generated papers with nature](#) - Apr 26 2022

web nov 6 2023 a machine learning tool can easily spot when chemistry papers are written using the chatbot chatgpt according to a study published on 6 november in cell reports physical science 1 the

*download grb concept of physical chemistry for jee main* - Nov 02 2022

web a master book to develop basics of physical chemistry for jee main advanced download grb concept of physical chemistry for jee main advanced by dr p bahadur pdf download to buy the latest edition of this book click here

*accurately detecting ai text when chatgpt is told to write like a* - Mar 26 2022

web nov 6 2023 text analysis is conducted on articles from 13 chemistry journals vs chatgpt the classification method uses 20 text features and xgboost the model effectively discriminates human scientific writing from gpt 3 5 and gpt 4 ai text from prompts designed to obfuscate ai use is classified with 99 accuracy

[text physical chemistry grb cyberlab sutd edu sg](#) - Jan 04 2023

web text physical chemistry grb introduction to coordination chemistry mar 06 2021 at the heart of coordination chemistry lies the coordinate bond in its simplest sense arising from donation of a pair of electrons from a donor atom to an empty orbital on a central metalloid or metal metals overwhelmingly exist as their cations but these are rarely met

**grb physical chemistry grb publication free download** - Sep 12 2023

web oct 1 2020 a textbook of physical chemistry for competitions for jee main advanced all other engineering entrance examinations 2018 2019 paperback 1 addeddate 2020 10 01 11 49 08

**grb physical chemistry for competitions for iit** - Jul 30 2022

web grb a textbook of physical chemistry vol 1 vol 2 for jee main advanced and all other competitive entrance examinations combo set of 2 books paperback o p tandon a s singh o p tandon a s singh 52

5105 5106 5107 y21 sy - Apr 07 2023

web are you preparing for the n level science chemistry biology exam in 2021 if so you need to check out this syllabus document that outlines the aims objectives content and assessment of the subject you will also find useful information on the practical skills and data analysis required for the exam this syllabus is based on the o level science

*grb a textbook of physical chemistry for neet* - Oct 01 2022

web grb a textbook of physical chemistry for neet by dr o p tandon dr a s singh from flipkart com only genuine products 30 day replacement guarantee free shipping best book for physical chemistry for neet aspirants for neet 2021 read more vipul chaudhari certified buyer kalyan jun 2020 15 1 permalink report

text physical chemistry grb sgsbenelux internalpublications com - Feb 05 2023

web text physical chemistry grb unveiling the energy of verbal beauty an mental sojourn through text physical chemistry grb in a world inundated with displays and the cacophony of quick interaction the profound energy and mental resonance of verbal beauty frequently fade into obscurity eclipsed by the regular assault of noise and distractions

**text physical chemistry grb pdf cyberlab sutd edu sg** - Feb 22 2022

web text physical chemistry grb fast track objective arithmetic sep 05 2020 here comes the best seller since its first edition in 2012 fast track objective arithmetic has been great architect for building and enhancing aptitude skills in lakhs of aspirant across the country the first book of its

**grb a text book of physical chemistry for aipmt o p tandon** - May 28 2022

web grb a text book of physical chemistry for aipmt o p tandon by o p tandon from flipkart com only genuine products 30 day replacement guarantee free shipping cash on delivery explore plus login become a seller more cart grb a text book of physical chemistry for aipmt o p tandon paperback o p tandon

**grb physical chemistry iit jee by tandon google drive** - Oct 13 2023

web view details request a review learn more

grb a text book of physical chemistry for - Aug 31 2022

web grb a text book of physical chemistry for competitions 1st year programme by dr o p tandon dr a s singh from flipkart com only genuine products 30 day replacement guarantee free shipping cash on delivery explore plus login become a seller

more cart add to cart buy now

**grb physical chemistry pdf 70 36 mb pdf room** - Aug 11 2023

web mar 20 2021 grb physical chemistry free pdf download op tandon 995 pages year 2016 chemistry read online pdf room  
[pdf download grb a text book of physical chemistry](#) - Jun 09 2023

web the original purpose of the text is to guide students in the basic concepts of physical chemistry so that they become familiar with conceptual aspects and can read understand study and enjoy the subject to develop the best strategy for solving problems many students find difficulty in computational problems

**grb physical chemistry iit jee o p tandon archive org** - Mar 06 2023

web apr 2 2023 book by o p tandon addeddate 2023 04 02 05 50 17 identifier grb physical chemistry iit jee identifier ark ark 13960 s2rhv6z8cgw ocr tesseract 5 3 0 3 g9920

**ebook text physical chemistry grb cyberlab sutd edu sg** - Jun 28 2022

web advanced problems in physical chemistry has been conceived to meet the specific requirements of the students preparing for iit jee olympiad and other competitive examinations this book provides a comprehensive and systematic coverage of problems in physical chemistry and enables quick applications of

[pdf grb a textbook of physical chemistry for competitions for](#) - Jul 10 2023

web may 19 2020 download grb a textbook of physical chemistry for competitions for jee main advanced by dr a s singh and dr o p tandon for iit jee main and advanced examination learnengineering in collected the various jee joint entrance exam books this collection is very useful for jee candidates to crack their upcoming