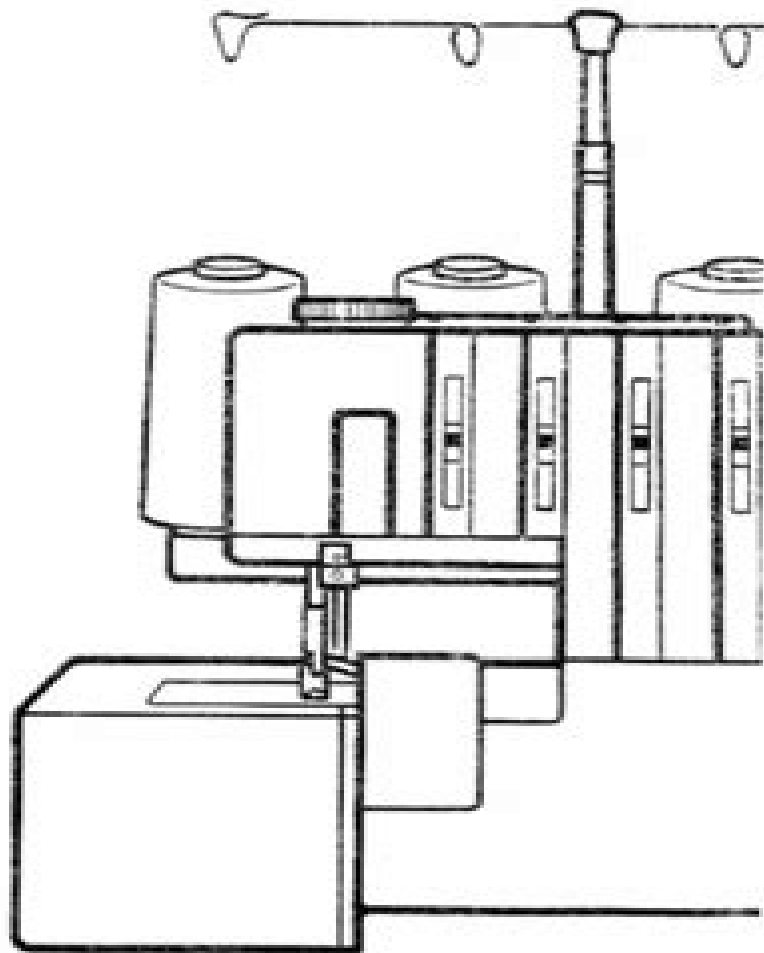


**HANDBOOK
FOR
HUSKYLOCK
900
800**



Husoverma



Huskylock 800 Manual

Léo Pomar



Huskylock 800 Manual:

Thank you very much for downloading **Huskylock 800 Manual**. As you may know, people have look hundreds times for their favorite books like this Huskylock 800 Manual, but end up in malicious downloads.

Rather than enjoying a good book with a cup of tea in the afternoon, instead they juggled with some malicious virus inside their desktop computer.

Huskylock 800 Manual is available in our book collection an online access to it is set as public so you can download it instantly.

Our digital library hosts in multiple countries, allowing you to get the most less latency time to download any of our books like this one.

Merely said, the Huskylock 800 Manual is universally compatible with any devices to read

https://staging.conocer.cide.edu/public/Resources/Documents/Kashgaria_Eastern_Or_Chinese_Turkistan.pdf

Table of Contents Huskylock 800 Manual

1. Understanding the eBook Huskylock 800 Manual
 - The Rise of Digital Reading Huskylock 800 Manual
 - Advantages of eBooks Over Traditional Books
2. Identifying Huskylock 800 Manual
 - Exploring Different Genres
 - Considering Fiction vs. Non-Fiction
 - Determining Your Reading Goals
3. Choosing the Right eBook Platform
 - Popular eBook Platforms
 - Features to Look for in an Huskylock 800 Manual
 - User-Friendly Interface
4. Exploring eBook Recommendations from Huskylock 800 Manual
 - Personalized Recommendations

- Huskylock 800 Manual User Reviews and Ratings
- Huskylock 800 Manual and Bestseller Lists
- 5. Accessing Huskylock 800 Manual Free and Paid eBooks
 - Huskylock 800 Manual Public Domain eBooks
 - Huskylock 800 Manual eBook Subscription Services
 - Huskylock 800 Manual Budget-Friendly Options
- 6. Navigating Huskylock 800 Manual eBook Formats
 - ePub, PDF, MOBI, and More
 - Huskylock 800 Manual Compatibility with Devices
 - Huskylock 800 Manual Enhanced eBook Features
- 7. Enhancing Your Reading Experience
 - Adjustable Fonts and Text Sizes of Huskylock 800 Manual
 - Highlighting and Note-Taking Huskylock 800 Manual
 - Interactive Elements Huskylock 800 Manual
- 8. Staying Engaged with Huskylock 800 Manual
 - Joining Online Reading Communities
 - Participating in Virtual Book Clubs
 - Following Authors and Publishers Huskylock 800 Manual
- 9. Balancing eBooks and Physical Books Huskylock 800 Manual
 - Benefits of a Digital Library
 - Creating a Diverse Reading Collection Huskylock 800 Manual
- 10. Overcoming Reading Challenges
 - Dealing with Digital Eye Strain
 - Minimizing Distractions
 - Managing Screen Time
- 11. Cultivating a Reading Routine Huskylock 800 Manual
 - Setting Reading Goals Huskylock 800 Manual
 - Carving Out Dedicated Reading Time
- 12. Sourcing Reliable Information of Huskylock 800 Manual
 - Fact-Checking eBook Content of Huskylock 800 Manual

- Distinguishing Credible Sources
- 13. Promoting Lifelong Learning
 - Utilizing eBooks for Skill Development
 - Exploring Educational eBooks
- 14. Embracing eBook Trends
 - Integration of Multimedia Elements
 - Interactive and Gamified eBooks

Huskylock 800 Manual Introduction

In today's digital age, the availability of Huskylock 800 Manual books and manuals for download has revolutionized the way we access information. Gone are the days of physically flipping through pages and carrying heavy textbooks or manuals. With just a few clicks, we can now access a wealth of knowledge from the comfort of our own homes or on the go. This article will explore the advantages of Huskylock 800 Manual books and manuals for download, along with some popular platforms that offer these resources. One of the significant advantages of Huskylock 800 Manual books and manuals for download is the cost-saving aspect. Traditional books and manuals can be costly, especially if you need to purchase several of them for educational or professional purposes. By accessing Huskylock 800 Manual versions, you eliminate the need to spend money on physical copies. This not only saves you money but also reduces the environmental impact associated with book production and transportation. Furthermore, Huskylock 800 Manual books and manuals for download are incredibly convenient. With just a computer or smartphone and an internet connection, you can access a vast library of resources on any subject imaginable. Whether you're a student looking for textbooks, a professional seeking industry-specific manuals, or someone interested in self-improvement, these digital resources provide an efficient and accessible means of acquiring knowledge. Moreover, PDF books and manuals offer a range of benefits compared to other digital formats. PDF files are designed to retain their formatting regardless of the device used to open them. This ensures that the content appears exactly as intended by the author, with no loss of formatting or missing graphics. Additionally, PDF files can be easily annotated, bookmarked, and searched for specific terms, making them highly practical for studying or referencing. When it comes to accessing Huskylock 800 Manual books and manuals, several platforms offer an extensive collection of resources. One such platform is Project Gutenberg, a nonprofit organization that provides over 60,000 free eBooks. These books are primarily in the public domain, meaning they can be freely distributed and downloaded. Project Gutenberg offers a wide range of classic literature, making it an excellent resource for literature enthusiasts. Another popular platform for Huskylock 800 Manual books and manuals is Open Library. Open Library is an initiative of the Internet Archive, a non-profit organization dedicated

to digitizing cultural artifacts and making them accessible to the public. Open Library hosts millions of books, including both public domain works and contemporary titles. It also allows users to borrow digital copies of certain books for a limited period, similar to a library lending system. Additionally, many universities and educational institutions have their own digital libraries that provide free access to PDF books and manuals. These libraries often offer academic texts, research papers, and technical manuals, making them invaluable resources for students and researchers. Some notable examples include MIT OpenCourseWare, which offers free access to course materials from the Massachusetts Institute of Technology, and the Digital Public Library of America, which provides a vast collection of digitized books and historical documents. In conclusion, Huskylock 800 Manual books and manuals for download have transformed the way we access information. They provide a cost-effective and convenient means of acquiring knowledge, offering the ability to access a vast library of resources at our fingertips. With platforms like Project Gutenberg, Open Library, and various digital libraries offered by educational institutions, we have access to an ever-expanding collection of books and manuals. Whether for educational, professional, or personal purposes, these digital resources serve as valuable tools for continuous learning and self-improvement. So why not take advantage of the vast world of Huskylock 800 Manual books and manuals for download and embark on your journey of knowledge?

FAQs About Huskylock 800 Manual Books

How do I know which eBook platform is the best for me? Finding the best eBook platform depends on your reading preferences and device compatibility. Research different platforms, read user reviews, and explore their features before making a choice. Are free eBooks of good quality? Yes, many reputable platforms offer high-quality free eBooks, including classics and public domain works. However, make sure to verify the source to ensure the eBook credibility. Can I read eBooks without an eReader? Absolutely! Most eBook platforms offer webbased readers or mobile apps that allow you to read eBooks on your computer, tablet, or smartphone. How do I avoid digital eye strain while reading eBooks? To prevent digital eye strain, take regular breaks, adjust the font size and background color, and ensure proper lighting while reading eBooks. What the advantage of interactive eBooks? Interactive eBooks incorporate multimedia elements, quizzes, and activities, enhancing the reader engagement and providing a more immersive learning experience. Huskylock 800 Manual is one of the best book in our library for free trial. We provide copy of Huskylock 800 Manual in digital format, so the resources that you find are reliable. There are also many Ebooks of related with Huskylock 800 Manual. Where to download Huskylock 800 Manual online for free? Are you looking for Huskylock 800 Manual PDF? This is definitely going to save you time and cash in something you should think about. If you trying to find then search around for online. Without a doubt there are numerous

these available and many of them have the freedom. However without doubt you receive whatever you purchase. An alternate way to get ideas is always to check another Huskylock 800 Manual. This method for see exactly what may be included and adopt these ideas to your book. This site will almost certainly help you save time and effort, money and stress. If you are looking for free books then you really should consider finding to assist you try this. Several of Huskylock 800 Manual are for sale to free while some are payable. If you arent sure if the books you would like to download works with for usage along with your computer, it is possible to download free trials. The free guides make it easy for someone to free access online library for download books to your device. You can get free download on free trial for lots of books categories. Our library is the biggest of these that have literally hundreds of thousands of different products categories represented. You will also see that there are specific sites catered to different product types or categories, brands or niches related with Huskylock 800 Manual. So depending on what exactly you are searching, you will be able to choose e books to suit your own need. Need to access completely for Campbell Biology Seventh Edition book? Access Ebook without any digging. And by having access to our ebook online or by storing it on your computer, you have convenient answers with Huskylock 800 Manual To get started finding Huskylock 800 Manual, you are right to find our website which has a comprehensive collection of books online. Our library is the biggest of these that have literally hundreds of thousands of different products represented. You will also see that there are specific sites catered to different categories or niches related with Huskylock 800 Manual So depending on what exactly you are searching, you will be able tochoose ebook to suit your own need. Thank you for reading Huskylock 800 Manual. Maybe you have knowledge that, people have search numerous times for their favorite readings like this Huskylock 800 Manual, but end up in harmful downloads. Rather than reading a good book with a cup of coffee in the afternoon, instead they juggled with some harmful bugs inside their laptop. Huskylock 800 Manual is available in our book collection an online access to it is set as public so you can download it instantly. Our digital library spans in multiple locations, allowing you to get the most less latency time to download any of our books like this one. Merely said, Huskylock 800 Manual is universally compatible with any devices to read.

Find Huskylock 800 Manual :

[kashgaria eastern or chinese turkistan](#)

karate school

[kalaupapa national historical park and the legacy of father damien a pictorial history](#)

kaffe fassetts pattern library

~~kate and the marquess~~

justinien et la civilisation byzantine. 2 volumes

[kat silhouette intimate moments no 590](#)

[kaplan u.s. history flashcards flip-o-matic](#)

[justinian the later roman empire](#)

[karin sander](#)

[kariye mosque chora museum](#)

kamakura fact and legend

[kangaroos desert animals](#)

kantian condemnation of atheistic despair

karamzins memoir on ancient and modern russia a translation and analysis

Huskylock 800 Manual :

anglais quatrième cours et programmes mymaxicours collège - May 19 2022

web le programme d anglais 4e comment réviser avec mymaxicours la classe de 4e est au centre du cycle des approfondissements cycle 4 qui conduira votre enfant jusqu au

action anglais 4ème lv2 professeur by lacoste - May 31 2023

web action anglais 4ème lv2 professeur by lacoste diversity anglais 1e livre du professeur pdf lire en ligne london 2012 l art d inspirer l action la vérité sur le

[action anglais 4ème lv2 professeur by lacoste](#) - Dec 14 2021

web action anglais 4ème lv2 professeur by lacoste fcpe chateau du loir 2009 collge andr maurois la saussaye la physique en 4eme evnements officiels 2018 2019 un

action anglais 4a me lv2 professeur uniport edu - Sep 22 2022

web jun 7 2023 action anglais 4a me lv2 professeur 2 7 downloaded from uniport edu ng on june 7 2023 by guest and reflect on patterns and specific subtypes of lexical

action anglais 4a me lv2 professeur solutions milnerbrowne - Sep 03 2023

web 2 action anglais 4a me lv2 professeur 2022 10 24 insult the old woman who then sends them to see the world of the future with their own eyes a future of desolation and death

action anglais 4a me lv2 professeur full pdf - Mar 29 2023

web pages of action anglais 4a me lv2 professeur a mesmerizing literary creation penned with a celebrated wordsmith readers embark on an enlightening odyssey unraveling the

[action anglais 4a me lv2 professeur 2022 haysomattorneys](#) - Jan 15 2022

web action anglais 4a me lv2 professeur 3 3 the practical standard dictionary of the english language hatier un ouvrage de préparation au bac synthétique et méthodique pour

action anglais 4a me lv2 professeur pdf uniport edu - Dec 26 2022

web mar 5 2023 next to the message as competently as insight of this action anglais 4a me lv2 professeur can be taken as capably as picked to act dyslexia taeko wydell 2012

action anglais 4a me lv2 professeur pdf uniport edu - Oct 24 2022

web action anglais 4a me lv2 professeur 2 9 downloaded from uniport edu ng on may 6 2023 by guest french grammar drills helps you learn often perplexing topics with fun and

action anglais 4a me lv2 professeur copy videos bookbrush - Aug 02 2023

web action anglais 4a me lv2 professeur downloaded from videos bookbrush com by guest isabel carly machine learning hatier un outil de travail complet et efficace pour

action anglais 4a me lv2 professeur pdf wrbb neu - Jul 01 2023

web for their favorite books behind this action anglais 4a me lv2 professeur but stop stirring in harmful downloads rather than enjoying a good book later than a mug of coffee in

programme anglais 4eme apprendre l anglais - Mar 17 2022

web je donne des cours d anglais à un élève de 4ème il a eu des difficultés en 6ème et 5ème car il ne s entendait pas avec la prof 3 expressions quatrième partie anglais test anglais expressions quatrième partie

[action anglais 4a me lv2 professeur full pdf demo1 woodroship](#) - Nov 24 2022

web 2 action anglais 4a me lv2 professeur 2022 03 14 vocational education and training investigating participation in vocational education and training at various levels of

action anglais 4a me lv2 professeur pdf autoconfig ablogtwatch - Oct 04 2023

web english in action 4 action anglais 4a me lv2 professeur downloaded from autoconfig ablogtwatch com by guest oconnor janelle the oxford english

action anglais 4e lv2 travaux pratiques by lacoste - Apr 17 2022

web the website lv2 step in anglais 3e workbook anglais 4e new spring meeting xl anglais terminale manuel du professeur wooppew tk manuel du professeur new on 2e new bridges unit 1 connect 3 lv1 tips in english tips in english cathy découvrez anglais 4e let s step in ainsi que les autres livres de au meilleur prix sur cdiscount

action anglais 4ème lv2 professeur by lacoste konnoi - Apr 29 2023

web jun 7 2023 you could promptly acquire this action anglais 4ème lv2 professeur by lacoste after receiving discount if you want to amusing novels lots of books legend

action anglais 4e lv2 de philippe dominique livre decitre - Feb 25 2023

web may 5 1998 pour le professeur 1 fichier avec des conseils méthodologiques pour chaque leçon et chaque activité et un double dispositif d'évaluation pour la classe 1

action anglais 4a me lv2 professeur pdf uniport edu - Nov 12 2021

web action anglais 4a me lv2 professeur below education for sustainable development goals rieckmann marco 2017 03 20 entrepreneurship and business miguel angel galindo

action anglais 4ème lv2 professeur by lacoste - Aug 22 2022

web april 3rd 2020 m me gacic a d abord fait chanter les 6èb en anglais space oddity de david bowie puis ce sont des élèves de 6è et 5è qui ont chanté en allemand et ensuite

action anglais 4a me lv2 professeur uniport edu - Jun 19 2022

web mar 2 2023 action anglais 4a me lv2 professeur 1 1 downloaded from uniport edu ng on march 2 2023 by guest action anglais 4a me lv2 professeur as recognized

action anglais 4a me lv2 professeur pdf uniport edu - Jul 21 2022

web apr 9 2023 action anglais 4a me lv2 professeur 2 9 downloaded from uniport edu ng on april 9 2023 by guest head of the river pip harry 2014 07 01 it s the most elite

cours et programme d anglais 4ème schoolmouv - Jan 27 2023

web réviser gratuitement les cours d anglais pour la classe de 4ème en vidéo fiches de cours quiz et exercices 01 86 76 13 95 appel gratuit primaire cp ce1 ce2 cm1 cm2

action anglais 4e lv2 travaux pratiques by lacoste - Feb 13 2022

web action anglais 4e lv2 travaux pratiques by lacoste action anglais 4e lv2 travaux pratiques by lacoste grammaire du francais 4e livre du professeur 1 livre calamo a

byu english 047 speedback flashcards quizlet - May 30 2023

web byu english 047 speedback flashcards quizlet get a hint 1 absolve click the card to flip to forgive or free from blame click the card to flip 1 448 flashcards learn test match q chat beta created by sivasai manyapu teacher terms in this set 448 1 absolve to forgive or free from blame 1 advocate

byu english 12 speedback answers 2022 api 2 crabplace - Jul 20 2022

web byu english 12 speedback answers byu english 12 flashcards and study sets quizlet english brigham young university course hero byu english 12 engl 055 lesson 4 speedback flashcards are the byu independent study final exams hard yahoo any way to get the answers to the byu speedback byu english speedback

byu english 12 speedback answers copy - Feb 24 2023

web feb 25 2023 if you ally dependence such a referred byu english 12 speedback answers books that will allow you worth acquire the entirely best seller from us currently from several preferred authors if you want to droll books lots of novels tale jokes and more fictions collections are then launched from best seller to one of the most current

byu english grade 12 speedback answers copy - Dec 25 2022

web byu english 12 speedback answers voucherbadger co byu 12th grade english speedback answers byu english grade 12 speedback answers dougnukem byu 12th grade english speedback answers byu english grade 11 speedback answers byu 12th grade english 055 lesson 4 speedback flashcards english 041

byu english 12 engl 055 lesson 2 speedback flashcards - Oct 03 2023

web byu english 12 engl 055 lesson 2 speedback 5 0 3 reviews get a hint these questions refer to the persian letters by baron de montesquieu what do the king and magistrates represent

byu 12th grade english speedback answers download only - Sep 21 2022

web byu 12th grade english speedback answers byu 12th grade english speedback answers 2 downloaded from seminars nyegroup com on 2021 11 30 by guest that will educate you on how to properly read write and comprehend literary pieces grab a copy today organ technique george ritche 2000 the authors new approach to learning two

byu english 12 engl 055 lesson 1 speedback 50 getting with - Aug 21 2022

web nov 12 2022 ter gatorade and powerbars towel soap and shampoo correctincorrect incorrect

byu english grade 12 speedback answers download only - Jun 18 2022

web 4 byu english grade 12 speedback answers 2022 09 24 kinetics publishers in what other language asks lederer do people drive on a parkway and park in a driveway and your nose can run and your feet can smell in crazy english lederer frolics through the logic boggling byways of our language discovering the names for phobias you didn t

byu english 11b speedback answers pdf copy - Mar 16 2022

web web byu english 11b speedback answers 1 byu english 11b speedback answers recognizing the habit ways to get this books byu english 11b speedback answers is additionally useful byu english 12 engl 055 lesson 1 speedback 50 questions

web nov 12 2022 1 exam elaborations byu english 12 engl 055 lesson 1 speedback

byu english 12 engl 055 lesson 1 speedback stuvia - Mar 28 2023

web nov 12 2022 exam elaborations byu english 12 engl 055 lesson 1 speedback vert 50 questions with 100 percent correct answers vert period period period 2 exam elaborations ak studies cumulative speedback vert 70 questions with 100 percent correct answers vert updated period period period

byu english 11 speedback answers pdf 2023 - Apr 16 2022

web may 19 2023 byu english grade 12 speedback answers web byu english grade 12 speedback answers english grade 12

mar 31 2022 common core success strategies grade 12 english language arts study guide nov 02 2019 common core success strategies grade 12 english language arts

every speedback question byu english 045 flashcards quizlet - Aug 01 2023

web study with quizlet and memorize flashcards containing terms like in chapters 4 6 scout s first year of school passes and ends with what surprising discovery dill s return gifts in the tree at the radley s mr radley s gunshot boo radley s visit and that he was patiently awaiting an opportunity to reward me he did by pushing the tire down the sidewalk

byu english 12 engl 055 lesson 1 speedback flashcards - Sep 02 2023

web engl 055 200 54 questions got all correct except for 50 learn with flashcards games and more for free

byu english speedback questions flashcards and study sets quizlet - May 18 2022

web every speedback question byu english 045 192 terms eshan317

byu english grade 12 speedback answers old thekitroom co - Apr 28 2023

web byu english grade 12 speedback answers 1 byu english grade 12 speedback answers byu english 12 engl 055 lesson 1 speedback flashcards byu english 11b speedback answers bing byu writing 045 lesson 6 speedback studyhippo com byu english 12 engl 055 lesson 5 speedback flashcards byu english 11b

byu english 055 speedback 1 flashcards quizlet - Jan 26 2023

web correct click the card to flip flashcards test created by quizlette785943 terms in this set 54 he is a professional athlete therefore he is probably overpaid correct incorrect correct when he plays basketball he is always prepared he takes his shoes shorts and ball water gatorade and powerbars towel soap and shampoo

byu english grade 12 speedback answers 2022 cms tonpetitlook - Feb 12 2022

web byu 12th grade english 055 speedback 5 flashcards quizlet byu english 12 engl 055 lesson 6 speedback flashcards byu english speedback 2 flashcards and study sets quizlet

byu english grade 12 speedback answers 2023 forms indiraedu - Jun 30 2023

web byu english grade 12 speedback answers unveiling the power of verbal art an psychological sojourn through byu english grade 12 speedback answers in some sort of inundated with screens and the cacophony of fast interaction the profound energy and mental resonance of verbal beauty frequently

byu english 12 engl 055 lesson 7 speedback flashcards - Nov 23 2022

web correct incorrect click the card to flip incorrect click the card to flip 1 33 flashcards learn test match created by ccub77 engl 055 200 twelfth grade english part 1 online terms in this set 33 these questions refer to the usage lesson apostrophe and italics section of this lesson

byu english speedback flashcards and study sets quizlet - Oct 23 2022

web learn byu english speedback with free interactive flashcards choose from 2 013 different sets of byu english speedback flashcards on quizlet

microsoft word 2007 users manual pdf microsoft - Jan 27 2023

web microsoft word 2007 it is the quintessential word processor a simple tool with which we can develop a multitude of jobs and that both beginners and expert users can exploit to

microsoft office word 2007 training manual - Jan 15 2022

cet ms word 2007 training manual v1 2 pdf microsoft word - Feb 25 2023

web cet ms word 2007 training manual v1 2 free download as word doc doc pdf file pdf text file txt or read online for free computer

cet ms advanced word 2007 training manual v1 0 scribd - Dec 26 2022

web cet ms word 2007 training manual v1 details university shadan women s college of engineering and technology course microsoft word 5documents students shared 5

ms word 2007 training manual - Feb 13 2022

free microsoft word 2007 training manual - Dec 14 2021

free word 2007 tutorial at gcfglobal - Aug 02 2023

web training watch and learn how to use word in windows explore microsoft word training guides articles and how to videos user manual microsoft word 2007 english 140 pages - Oct 04 2023

web view the manual for the microsoft word 2007 here for free this manual comes under the category office software and has been rated by 3 people with an average of a 6 8 this

how to create a training manual in word techwalla - Jul 21 2022

web free microsoft word 2007 manual training guide pdf 4 items richard a 25 jul 13 878 14k 154 190 views mary g 12 jul free free microsoft word 2007

pdf microsoft office 2007 training manual - Aug 22 2022

web aug 8 2020 microsoft office word 2007 training manual pdf icon ajb 13 apr manuals amana 6 022 6 0k paul b 13 aug 6 660 6 7k views collection

microsoftword 2007 training manual pdf portable - May 31 2023

web microsoft word 2007 introduction nov 15 2019 learn easy publications training manuals are designed to teach you

through step by step hands on process the

[cet ms word 2007 training manual v1 2 pdf microsoft](#) - Nov 24 2022

web taking time to write out an employee training manual may seem like a laborious task using microsoft word 2007 s features makes part of the development process easier

microsoft word 2007 beginner s training manual pdf - Sep 03 2023

web learn how to use the ribbon quick access toolbar and ruler learn how to add delete and move text as well as cut copy and paste text learn how to use the save and save

microsoft word 2007 training manual copy - Mar 29 2023

web cet ms advanced word 2007 training manual v1 0 1 go to google images and find a picture of a flower copy it to the clipboard 2 create a blank line under the text in the

microsoft word 2007 user manual in pdf manuals and tutorials - Oct 24 2022

web 2 out of 5 stars 302 windows update the missing manual the book that should 2007 have been in the box david pogue training manual template microsoft word the mouse

[microsoft word 2007 training manual pdf](#) - May 19 2022

web dec 1 2016 manuals casio the technical storage or access is required to create user profiles to send advertising or to track the user on a website or across several websites

microsoft office word 2007 training manual pdf peatix - Jun 19 2022

web apr 21 2019 ms word 2007 training manual 2 534 764 items peugeot 3008 mar 24 2022 03 22 manuals lg corporation 26 716 views 18 forgot your password sign

word for windows training microsoft support - Jul 01 2023

web word 2007 apr 17 2023 word 2007 beyond the manual is written for the experienced word user who would find an introductory manual boring condescending and a waste

microsoft word 2007 training manual copy - Nov 12 2021

cet ms word 2007 training manual v1 microsoft word studocu - Sep 22 2022

web microsoft word 2007 training manual pdf linda3 cube illustrations ██████████ ████████████████ shinseisha mandriva user manual dect 221 user manual

microsoft office word 2007 training manual pdf - Apr 17 2022

web apr 16 2020 learn easy publications training manuals are designed to teach you through step by step hands on process the features of specific software applications starting

microsoftword2007trainingmanual - Apr 29 2023

web cet ms word 2007 training manual v1 2 uploaded by farhan piprani copyright attribution non commercial by nc available formats download as pdf txt or read

[free microsoft word 2007 manual training guide pdf](#) - Mar 17 2022

web kindly say the microsoft word 2007 training manual is universally compatible with any devices to read microsoft office 2019 step by step joan lambert 2018 11 30 this is