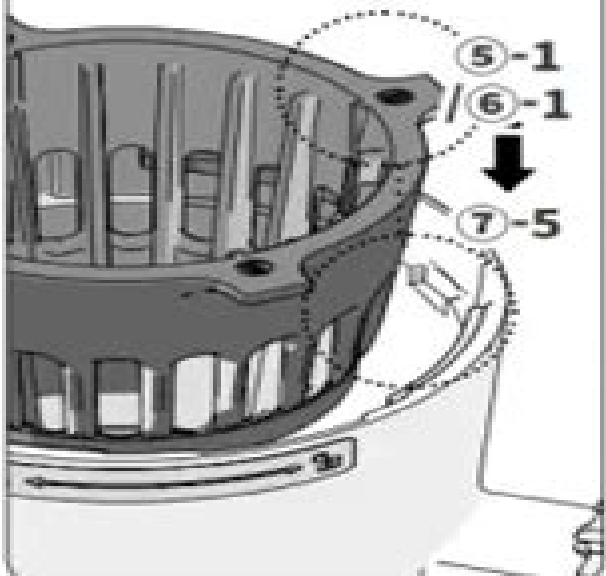
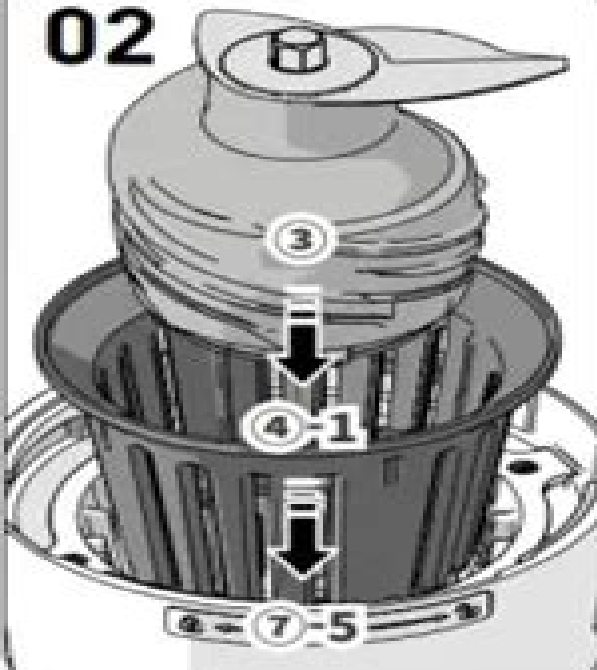


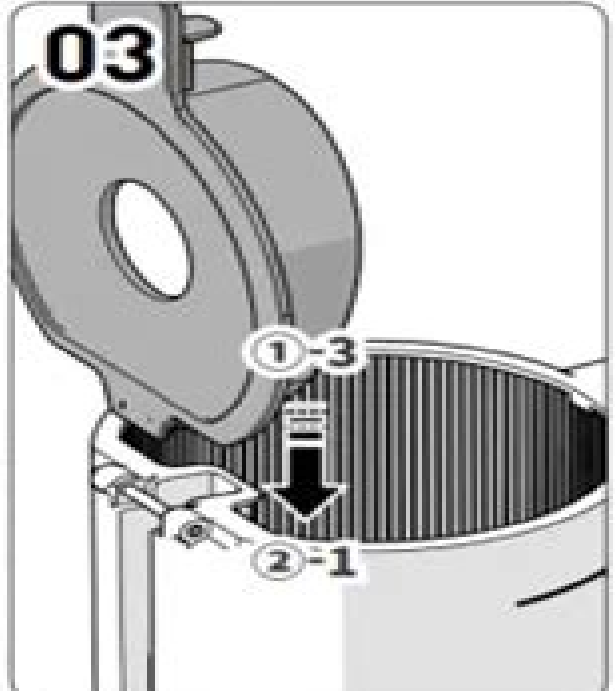
01



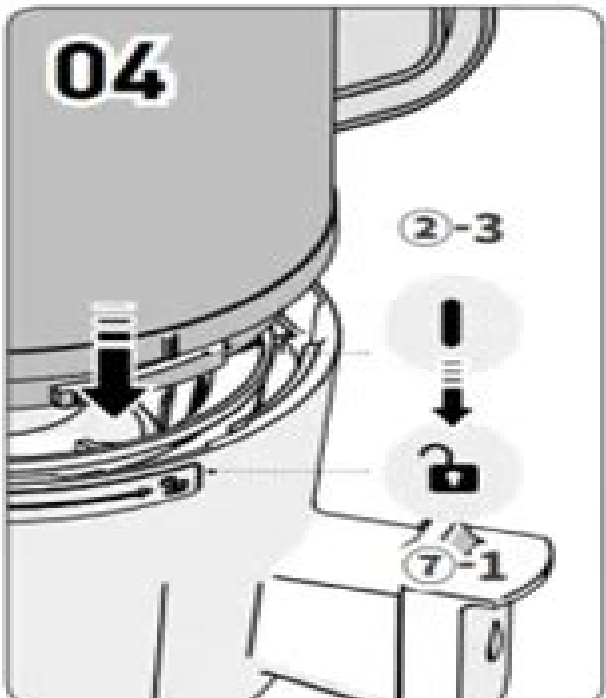
02



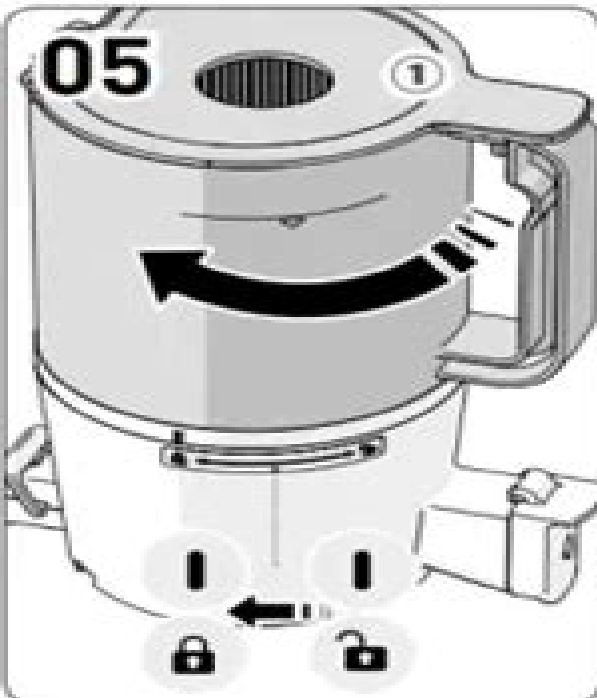
03



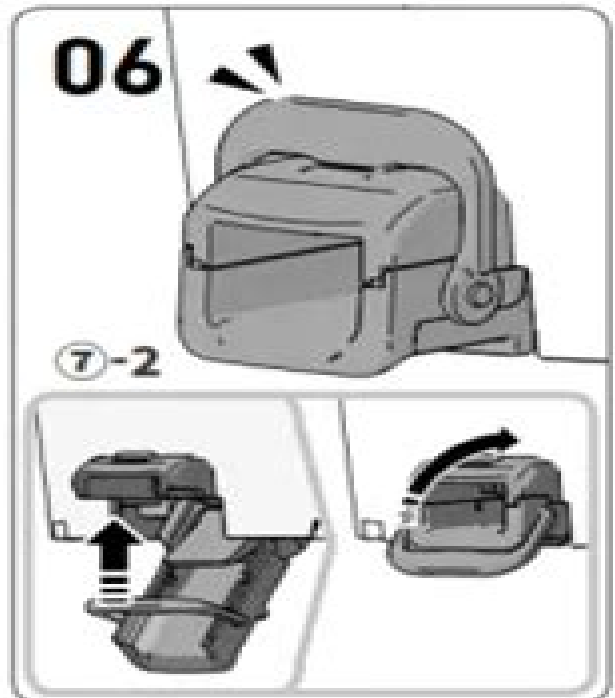
04



05



06



# Hurom Juicer Manual

**Brendan G. Carr**



## **Hurom Juicer Manual:**

## Whispering the Strategies of Language: An Emotional Quest through **Hurom Juicer Manual**

In a digitally-driven earth wherever displays reign great and quick connection drowns out the subtleties of language, the profound strategies and emotional nuances hidden within phrases usually get unheard. Yet, situated within the pages of **Hurom Juicer Manual** a charming literary treasure sporting with fresh feelings, lies an extraordinary journey waiting to be undertaken. Composed by a skilled wordsmith, this wonderful opus attracts readers on an introspective journey, softly unraveling the veiled truths and profound affect resonating within the very fabric of each and every word. Within the mental depths of this poignant evaluation, we will embark upon a heartfelt exploration of the book's primary subjects, dissect their charming writing model, and fail to the powerful resonance it evokes serious within the recesses of readers' hearts.

[https://staging.conocer.cide.edu/public/book-search/Download\\_PDFS/harrison\\_manual\\_of\\_medicine\\_files.pdf](https://staging.conocer.cide.edu/public/book-search/Download_PDFS/harrison_manual_of_medicine_files.pdf)

### **Table of Contents Hurom Juicer Manual**

1. Understanding the eBook Hurom Juicer Manual
  - The Rise of Digital Reading Hurom Juicer Manual
  - Advantages of eBooks Over Traditional Books
2. Identifying Hurom Juicer Manual
  - Exploring Different Genres
  - Considering Fiction vs. Non-Fiction
  - Determining Your Reading Goals
3. Choosing the Right eBook Platform
  - Popular eBook Platforms
  - Features to Look for in an Hurom Juicer Manual
  - User-Friendly Interface
4. Exploring eBook Recommendations from Hurom Juicer Manual
  - Personalized Recommendations
  - Hurom Juicer Manual User Reviews and Ratings

- Hurom Juicer Manual and Bestseller Lists
- 5. Accessing Hurom Juicer Manual Free and Paid eBooks
  - Hurom Juicer Manual Public Domain eBooks
  - Hurom Juicer Manual eBook Subscription Services
  - Hurom Juicer Manual Budget-Friendly Options
- 6. Navigating Hurom Juicer Manual eBook Formats
  - ePub, PDF, MOBI, and More
  - Hurom Juicer Manual Compatibility with Devices
  - Hurom Juicer Manual Enhanced eBook Features
- 7. Enhancing Your Reading Experience
  - Adjustable Fonts and Text Sizes of Hurom Juicer Manual
  - Highlighting and Note-Taking Hurom Juicer Manual
  - Interactive Elements Hurom Juicer Manual
- 8. Staying Engaged with Hurom Juicer Manual
  - Joining Online Reading Communities
  - Participating in Virtual Book Clubs
  - Following Authors and Publishers Hurom Juicer Manual
- 9. Balancing eBooks and Physical Books Hurom Juicer Manual
  - Benefits of a Digital Library
  - Creating a Diverse Reading Collection Hurom Juicer Manual
- 10. Overcoming Reading Challenges
  - Dealing with Digital Eye Strain
  - Minimizing Distractions
  - Managing Screen Time
- 11. Cultivating a Reading Routine Hurom Juicer Manual
  - Setting Reading Goals Hurom Juicer Manual
  - Carving Out Dedicated Reading Time
- 12. Sourcing Reliable Information of Hurom Juicer Manual
  - Fact-Checking eBook Content of Hurom Juicer Manual
  - Distinguishing Credible Sources

13. Promoting Lifelong Learning
  - Utilizing eBooks for Skill Development
  - Exploring Educational eBooks
14. Embracing eBook Trends
  - Integration of Multimedia Elements
  - Interactive and Gamified eBooks

### **Hurom Juicer Manual Introduction**

Free PDF Books and Manuals for Download: Unlocking Knowledge at Your Fingertips In today's fast-paced digital age, obtaining valuable knowledge has become easier than ever. Thanks to the internet, a vast array of books and manuals are now available for free download in PDF format. Whether you are a student, professional, or simply an avid reader, this treasure trove of downloadable resources offers a wealth of information, conveniently accessible anytime, anywhere. The advent of online libraries and platforms dedicated to sharing knowledge has revolutionized the way we consume information. No longer confined to physical libraries or bookstores, readers can now access an extensive collection of digital books and manuals with just a few clicks. These resources, available in PDF, Microsoft Word, and PowerPoint formats, cater to a wide range of interests, including literature, technology, science, history, and much more. One notable platform where you can explore and download free Hurom Juicer Manual PDF books and manuals is the internet's largest free library. Hosted online, this catalog compiles a vast assortment of documents, making it a veritable goldmine of knowledge. With its easy-to-use website interface and customizable PDF generator, this platform offers a user-friendly experience, allowing individuals to effortlessly navigate and access the information they seek. The availability of free PDF books and manuals on this platform demonstrates its commitment to democratizing education and empowering individuals with the tools needed to succeed in their chosen fields. It allows anyone, regardless of their background or financial limitations, to expand their horizons and gain insights from experts in various disciplines. One of the most significant advantages of downloading PDF books and manuals lies in their portability. Unlike physical copies, digital books can be stored and carried on a single device, such as a tablet or smartphone, saving valuable space and weight. This convenience makes it possible for readers to have their entire library at their fingertips, whether they are commuting, traveling, or simply enjoying a lazy afternoon at home. Additionally, digital files are easily searchable, enabling readers to locate specific information within seconds. With a few keystrokes, users can search for keywords, topics, or phrases, making research and finding relevant information a breeze. This efficiency saves time and effort, streamlining the learning process and allowing individuals to focus on extracting the information they need. Furthermore, the availability of free PDF books and manuals fosters a culture of continuous learning. By removing

financial barriers, more people can access educational resources and pursue lifelong learning, contributing to personal growth and professional development. This democratization of knowledge promotes intellectual curiosity and empowers individuals to become lifelong learners, promoting progress and innovation in various fields. It is worth noting that while accessing free Hurom Juicer Manual PDF books and manuals is convenient and cost-effective, it is vital to respect copyright laws and intellectual property rights. Platforms offering free downloads often operate within legal boundaries, ensuring that the materials they provide are either in the public domain or authorized for distribution. By adhering to copyright laws, users can enjoy the benefits of free access to knowledge while supporting the authors and publishers who make these resources available. In conclusion, the availability of Hurom Juicer Manual free PDF books and manuals for download has revolutionized the way we access and consume knowledge. With just a few clicks, individuals can explore a vast collection of resources across different disciplines, all free of charge. This accessibility empowers individuals to become lifelong learners, contributing to personal growth, professional development, and the advancement of society as a whole. So why not unlock a world of knowledge today? Start exploring the vast sea of free PDF books and manuals waiting to be discovered right at your fingertips.

### **FAQs About Hurom Juicer Manual Books**

How do I know which eBook platform is the best for me? Finding the best eBook platform depends on your reading preferences and device compatibility. Research different platforms, read user reviews, and explore their features before making a choice. Are free eBooks of good quality? Yes, many reputable platforms offer high-quality free eBooks, including classics and public domain works. However, make sure to verify the source to ensure the eBook credibility. Can I read eBooks without an eReader? Absolutely! Most eBook platforms offer web-based readers or mobile apps that allow you to read eBooks on your computer, tablet, or smartphone. How do I avoid digital eye strain while reading eBooks? To prevent digital eye strain, take regular breaks, adjust the font size and background color, and ensure proper lighting while reading eBooks. What the advantage of interactive eBooks? Interactive eBooks incorporate multimedia elements, quizzes, and activities, enhancing the reader engagement and providing a more immersive learning experience. Hurom Juicer Manual is one of the best book in our library for free trial. We provide copy of Hurom Juicer Manual in digital format, so the resources that you find are reliable. There are also many Ebooks of related with Hurom Juicer Manual. Where to download Hurom Juicer Manual online for free? Are you looking for Hurom Juicer Manual PDF? This is definitely going to save you time and cash in something you should think about.

**Find Hurom Juicer Manual :**

*harrison manual of medicine files*

*harman kardon avr 240 receivers owners manual*

hasil osn smp tahun 2015 kabupaten blora jawa tengah

harman kardon citation 11 amps owners manual

**hayden and mcneil lab manual**

*harpers pesto pasta salad recipe*

*harman kardon avr 260 user manual*

**hawking hwp102 owners manual**

*harrison compressor v5 service manual*

**harman kardon avr 55 manual**

**hasil osn sd tingkat provinsi jateng 2015**

~~hasil tue sma kabupaten kebumen 2015~~

hasil osn 2015 yogyakarta

**hatz z790 engine manual**

haskel air driven liquid pump assembly manual

**Hurom Juicer Manual :**

nedbank learnerships 2023 2024 south africa - May 28 2022

web nedbank learnership application nedbank learnerships applications online are available via their website interested applicants may have a look at current opportunities within their graduate program selecting any of the fields that they offer will re direct applicants to a term of use page

**nedbank cloud learnership programs 2023 2024 how to apply** - May 08 2023

web jul 6 2023 all the details regarding the nedbank learnership including application form how to apply online requirements and application deadline are all available right here on saonlineportal com benefits from learnerships

**nedbank learnerships 2023 2024 requirements application** - Dec 03 2022

web jul 17 2023 to apply for a nedbank learnership follow these general steps a research start by researching the available learnerships on the official nedbank website or other reliable sources understand the specific requirements duration and outcomes of each learnership to determine the best fit for your career aspirations



nedbank trainee learnership 2022 2023 application form - Aug 31 2022

web interested applicants can apply for the nedbank trainee learnerships programme 2022 provided they qualify and meet the requirements purpose to learn grow and develop skills and competencies while gathering experience in the various businesses during the one year contract period

**nedbank learnership 2024 2025 mytopschools** - Feb 22 2022

web sep 24 2023 nedbank learnerships forms for online application in order to apply for the itblp learnership you must complete an application form in your own handwriting you can get the application form from the nedbank website and more information on their learnership program

**nedbank learnerships opportunities 2023 2024 how to apply** - Aug 11 2023

web application for nedbank learnerships 2023 2024 how to apply prerequisites application form download in pdf eligibility application deadline selection procedure and application acceptance list for the nedbank learnerships program in 2023

*nedbank internship learnership application forms online* - Oct 01 2022

web nedbank is inviting young graduates to apply for nedbank learnership and to apply nedbank internship programme online applications are been done to apply for this nedbank internships use the following information to apply table of contents about the nedbank graduates programme how to apply apply online for the nedbank

nedbank learnership 2023 2024 - Sep 12 2023

web jul 3 2023 nedbank cloud learnership programme 2023 24 in johannesburg gauteng if you re looking for an opportunity to learn grow and develop your skills in the field of information technology it the cloud learnership in johannesburg might be the perfect fit for you this one year contract period allows you to gather experience across

*nedbank learnership and graduate programs apply here* - Jan 04 2023

web may 10 2023 how to apply for nedbank learnership go to the nedbank learnership and graduate program portal choose the program you want to apply for click on join fill out the application form submit other nedbank programs youth x it can be beneficial to learn from someone who has already walked the path you are about to take

*supporting learnerships and graduate development nedbank* - Jun 09 2023

web posted 11 08 2022 3 mins students are supported with training programmes learnerships and online resources are you a young person with ambition are you looking for employment opportunities that will develop your skills and use your talents to do good

*nedbank yes youth learnership programme 2023 2024* - Jun 28 2022

web jul 1 2023 minimum requirements you must be between 18 and 29 years old south african citizen by birth with a valid south african identity card or document and have a matric certificate grade 12 national senior certificate

*nedbank learnership 2023 2024 south african news - Apr 26 2022*

web jan 16 2023 vz about the nedbank learnership program every year the nedbank group ltd offers young graduates and unemployed people from different communities in excess of 200 nedbank learnership programmes these nedbank learnerships speak to the government s national skills development strategy to create skills and ease poverty

**graduate development programme nedbank** - Nov 02 2022

web graduate development programme nedbank continues to invest in the recruitment and development of graduates with a view of establishing a talent pipeline of young people who will become future leaders and fill scarce skill roles within the organisation

*nedbank learnerships select 2023 2024 how to apply - Jul 10 2023*

web feb 7 2023 nedbank learnerships application 2023 2024 how to apply for nedbank learnerships programme requirements application request pdf download eligibility application closing date selection operation and application acceptance list 2023

*youth opportunities as interns learners or apprentices nedbank - Feb 05 2023*

web jun 1 2023 applying for and enrolling in one of these programmes can give you a valuable glimpse into what your chosen career will entail which helps dispel any myths or unrealistic expectations you may have internships learnerships or apprenticeships all offer valuable workplace experience programmes and the one that is appropriate for you

*nedbank yes programme learnership 2023 application form - Mar 06 2023*

web application to apply for this opportunity you head to the link here there you can follow the dialogue to start your application another extra information about the learnership is that it opens at the offices of two locations which are gauteng nedbank lakeview campus roodepoort nedbank 135 rivonia campus sandton nedbank 105 west

**applications open for the nedbank yes internship programme** - Mar 26 2022

web mar 6 2023 how to apply click here to apply online for nedbank yes internships 2023 closing date monday 6th march 2023 internships opportunities nedbank invites south african unemployed graduates to apply for yes internship programme 2023 nedbank yes programme nedbank has said yes to creating

*nedbank learnerships programme 2023 2024 how to apply - Oct 13 2023*

web feb 7 2023 how to apply for nedbank learnership in order to apply for the itblp learnership you must complete an application form in your own handwriting you can get the application form from the nedbank website and more information on their learnership program the nedbank website address is nedbank co za

*nedbank south africa learnership 2024 2025 and how to apply - Jul 30 2022*

web oct 6 2023 nedbank south africa has been undergoing a learnership program annually for the past years we ve received

numerous requests from aspirants on various platforms yearning for legit information about how to apply for nedbank south africa learnership program and guidelines for 2024 2025

*nedbank learnership 2023 2024 newlearnerships* - Apr 07 2023

web may 3 2021 you can get the application form from the nedbank website and more information on their learnership program the nedbank website address is nedbank.co.za when applying for the learnership make sure that you specify the learnership post that you are applying for e.g. information technology learnership

**chemical change definition detailed explanation** - Nov 24 2021

web keenness of this chemical changes section 1 reinforcement chemical reactions can be taken as capably as picked to act an introduction to chemistry mark bishop 2002

**chemical change reversible and irreversible chemical** - Apr 29 2022

web sep 11 2023 an irreversible change is a change that cannot be reversed by any physical or chemical methods newer substances are formed when a substance undergoes a

section 1 reinforcement chemical changes answers copy - Dec 26 2021

web section 1 reinforcement chemical changes answers 1 section 1 reinforcement chemical changes answers classifying chemical reactions answers section 3

*chemical reactions chapter 1 section 1 flashcards quizlet* - Jan 07 2023

web the study of properties of matter element a substance that cannot be broken down into any other substances compound a substance made up of two or more elements chemically

**section 1 reinforcement classifying chemical changes answers** - Jul 01 2022

web acids and bases mcq pdf book with answers test 1 to solve mcq questions acid rain acidity needs water acidity or alkalinity acids properties and reactions amphoteric

chap 21 textbook glencoe chemical reactions pdf google sheets - Jul 13 2023

web chap 21 textbook glencoe chemical reactions pdf google sheets loading

**chemical change wikipedia** - Jan 27 2022

web chemists categorize chemical changes into three main classes inorganic chemical changes organic chemical changes and biochemical changes inorganic changes

**chemical changes section 1 reinforcement chemical reactions** - Mar 29 2022

web start getting this info acquire the chemical changes section 1 reinforcement chemical reactions link that we manage to pay for here and check out the link you could

chemical change reversible and irreversible changes - Feb 25 2022

web a reversible chemical reaction is a chemical reaction that can go in both directions the reactants can change into the products and the products can change back into the

**chemical changes section 1 reinforcement chemical reactions** - Sep 03 2022

web jul 28 2023 chemical changes section 1 reinforcement chemical reactions is available in our book collection an online access to it is set as public so you can get it instantly

*5 1 chemical changes and chemical reactions* - Aug 14 2023

web jul 22 2022 some chemical reactions are quite evident like the burning of gasoline and involve the production of heat or light in other types of chemical reactions gases are evolved color changes occur and clear solutions become cloudy with the ultimate

**chemical changes section 1 reinforcement chemical reactions** - May 31 2022

web 2 chemical changes section 1 reinforcement chemical reactions 2022 12 10 corrosion of steel in concrete understanding investigation and repair is a guide for

*chemical changes section 1 reinforcement chemical reaction* - Feb 08 2023

web aug 7 2023 chemical changes section 1 reinforcement chemical reaction 1 10 downloaded from uniport edu ng on august 7 2023 by guest chemical changes

**chapter 19 section 1 chemical changes flashcards quizlet** - Jun 12 2023

web chemical reaction a change in which one or more substances are converted into new substance reactants the starting substances that react products the new

section 1 chemical changes section 2 classifying chemical1 - Oct 04 2022

web showing 8 worksheets for section 1 chemical changes section 2 classifying chemical1 worksheets are section 1 reinforcement classifying chemical change

*chemical changes section 1 reinforcement chemical reactions* - Oct 24 2021

web chemical changes section 1 reinforcement chemical reactions is user friendly in our digital library an online entrance to it is set as public hence you can download it instantly

chemical changes equations section 1 section 2 directed - Mar 09 2023

web a is a change in which one or more substances are converted into new substances chemical reaction a chemical is a way to describe a chemical reaction using

**chemical changes section 1 reinforcement chemical reaction** - Nov 05 2022

web right here we have countless ebook chemical changes section 1 reinforcement chemical reaction and collections to check out we additionally give variant types and

[chemical changes section 1 reinforcement chemical reactions](#) - May 11 2023

web now is chemical changes section 1 reinforcement chemical reactions below port engineering gregory p tsinker 2004 02 16 this comprehensive book covers all major

[chemical changes section 1 reinforcement chemical reactions](#) - Apr 10 2023

web 2 chemical changes section 1 reinforcement chemical reactions 2023 04 19 from around the world are included which help to reinforce the principles outlined in earlier

**chemical changes section 1 reinforcement chemical reactions** - Sep 22 2021

*section chemical reactions 2 4 reinforcement salem* - Dec 06 2022

web on chemical reactions in a chemical reaction substances are changed into different substances by the breaking and forming of chemical bonds the substances that are

[chemical changes section 1 reinforcement chemical reactions](#) - Aug 02 2022

web chemical changes section 1 reinforcement chemical reactions downloaded from sam arabtravelers com by guest pranav gwendolyn cellulose based graft

**habiterra innovative building solutions** - Jul 20 2023

services contact harbiterra 0803 304 7735 habiterra offers a complete range of premium architectural infrastructural solutions security systems solutions and integrated logistics and procurement services the best guarantee for best value

[our alliance strategic partners allied kmwsh for](#) - Aug 09 2022

dan is the president and patent holder of habiterra building solutions inc habiterra has the design and license to use the technology for low cost housing in developing countries on a global scale dan is the ip holder jointly with muayad alsamaradee

[habiterra building solutions inc facebook](#) - Jun 07 2022

habiterra building solutions inc 18 likes building materials

**about habiterra building solutions** - Aug 21 2023

about habiterra building solutions inc soluciones constructivas habiterra the perfect replacement for the standard cmu easy to produce with your current equipment block are fully interlocking mortarless and self aligning the habiterra block is a suitable replacement for the standard cmu

*habitera overview news competitors zoominfo com* - Dec 13 2022

habitera is a health and wellness company that combines the science of nutrition with the psychology of habit formation to enable people everywhere to realize healthier lifestyles our flagship weight loss program helps you lose weight for the last time by building healthy habits

*hamza chergui hali human resources recruiter linkedin* - Mar 04 2022

as a recent mba graduate and an ambitious hr recruiter intern i bring a fresh perspective and a strong business management foundation to human resources my academic journey has equipped me with the latest industry knowledge and a keen understanding of organizational dynamics during my internship i have had the opportunity to actively engage in the end to habiterra building solutions inc west vancouver british c - Nov 12 2022

habiterra building solutions inc in west vancouver is a company that specializes in concrete block product moulding machinery our records show it was established in british columbia company address 200 100 park royal west vancouver british columbia v7v 1a2 phone number information not available company website habiterra ca

**habiterra building solutions inc** - Sep 22 2023

welcome to habiterra building solutions inc

*thinking outside the system concrete construction magazine* - Oct 11 2022

aug 25 2009 his team at habiterra building solutions believe they have developed a block building system that could become the preferred building material for folks who want to build their own homes and structures while their target may be the entry level home market he has a greater purpose in mind

**habiterra building solutions inc home facebook** - Apr 05 2022

habiterra building solutions inc building materials community see all 18 people like this 23 people follow this about see all contact habiterra building solutions inc on messenger

**contact information habiterra building solutions** - Mar 16 2023

north saanich british columbia canada v8l 5r7 telephone 250 889 2584 fax 250 656 2279 email dan habiterra ca website studiodb3 ca henry kamphof director of housing and policy development 13 915 glen vale

**habiterra building solutions company profile datanyze** - Feb 15 2023

habiterra building solutions profile and history habiterra building solutions inc is a company that operates in the health wellness and fitness industry it employs 1 5 people and has 1m 5m of revenue the company is headquartered in

*habiterra building solutions inc dun bradstreet* - Jun 19 2023

industry cement and concrete product manufacturing nonmetallic mineral product manufacturing manufacturing blocks concrete drystack interlocking see other industries within the manufacturing sector aerospace product and parts manufacturing agriculture construction and mining machinery manufacturing alumina and aluminum

**habiterra building solutions employee directory zoominfo com** - Sep 10 2022

habiterra building solutions employee directory habiterra building solutions corporate office is located in 10973 madrona dr north saanich british columbia v8l 5r7 canada and has 3 employees

*habiterra building solutions inc - Apr 17 2023*

habiterra building solutions inc registered canadian incorporation 2000 propósito habiterra tiene como objetivo construir refugios habitacionales los cuales puedan satisfacer el derecho básico del ser humano de poseer una vivienda digna así como dotar de vivienda a

**habiterra linkedin** - Jan 14 2023

habiterra building solutions inc henry kamphof president at habiterra janelle laros architectural designer see all employees welcome back habiterra 16 followers on linkedin

*consera off site building solutions şirketi İstanbul linkedin - Feb 03 2022*

consera off site building solutions şirketinde technical office coordinator İstanbul seyrantepe merkez ofisimizde görevlendirilmek üzere İnşaat teknik satınalma uzmanı alınacaktır Şirketimizin tüm satın alma faaliyetlerinde organizasyonel ve operasyonel sorumluluk alarak mal ve hizmet satın alımlarında görev alacak

**habiterra building solutions inc official mapquest** - May 06 2022

get directions reviews and information for habiterra building solutions inc in west vancouver bc

**about us smart capital associates** - Jul 08 2022

habiterra building solutions inc an international building technology company having over 30 worldwide licensees he held senior canadian government housing development and management positions directed the development of residential commercial and office projects more than 1 5 billion involving over 150 projects

**mission statement habiterra habiterra building solutions** - May 18 2023

low energy cost ecologically safe solution to affordable housing emergency shelter habiterra is an innovative new building system which uses high technology to solve a low technology problem how to build cost effective stable structures and build them efficiently