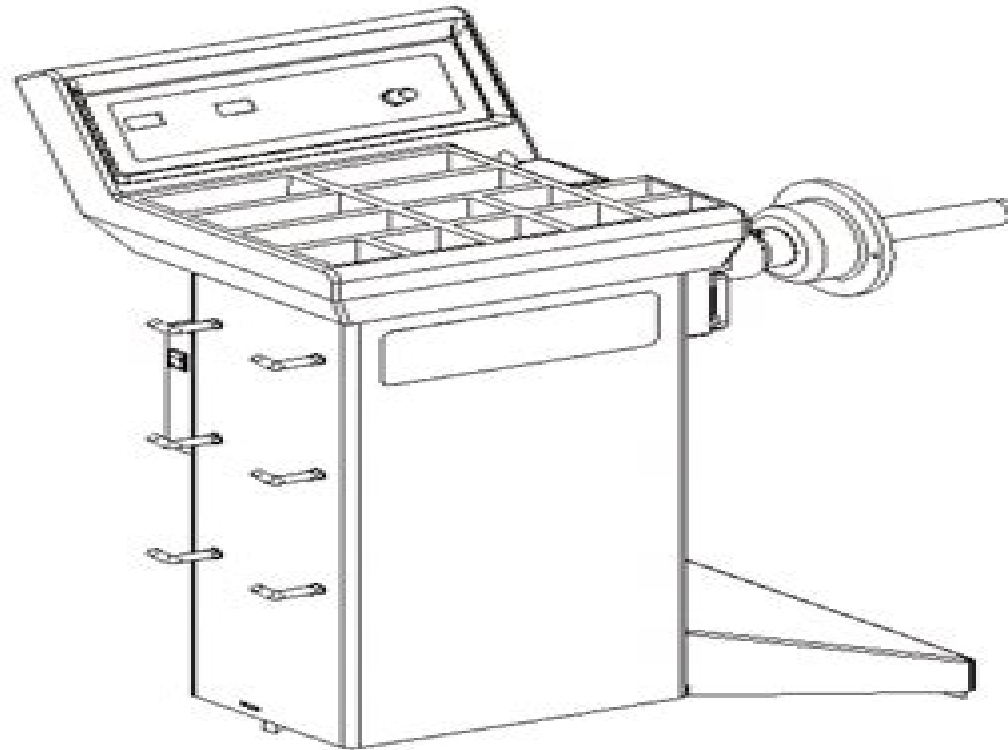


Service Manual

DSP 7700 Wheel Balancer



Hunter Wheel Balancer Instruction Manual

VM Jensen



Hunter Wheel Balancer Instruction Manual:

Hunter Wheel Balancer Instruction Manual Book Review: Unveiling the Power of Words

In some sort of driven by information and connectivity, the power of words has be evident than ever. They have the ability to inspire, provoke, and ignite change. Such is the essence of the book **Hunter Wheel Balancer Instruction Manual**, a literary masterpiece that delves deep into the significance of words and their impact on our lives. Written by a renowned author, this captivating work takes readers on a transformative journey, unraveling the secrets and potential behind every word. In this review, we will explore the book is key themes, examine its writing style, and analyze its overall effect on readers.

<https://staging.conocer.cide.edu/data/book-search/index.jsp/matlab%20source%20code%20for%20wireless%20sensor%20net%20works.pdf>

Table of Contents Hunter Wheel Balancer Instruction Manual

1. Understanding the eBook Hunter Wheel Balancer Instruction Manual
 - The Rise of Digital Reading Hunter Wheel Balancer Instruction Manual
 - Advantages of eBooks Over Traditional Books
2. Identifying Hunter Wheel Balancer Instruction Manual
 - Exploring Different Genres
 - Considering Fiction vs. Non-Fiction
 - Determining Your Reading Goals
3. Choosing the Right eBook Platform
 - Popular eBook Platforms
 - Features to Look for in an Hunter Wheel Balancer Instruction Manual
 - User-Friendly Interface
4. Exploring eBook Recommendations from Hunter Wheel Balancer Instruction Manual
 - Personalized Recommendations
 - Hunter Wheel Balancer Instruction Manual User Reviews and Ratings

- Hunter Wheel Balancer Instruction Manual and Bestseller Lists
- 5. Accessing Hunter Wheel Balancer Instruction Manual Free and Paid eBooks
 - Hunter Wheel Balancer Instruction Manual Public Domain eBooks
 - Hunter Wheel Balancer Instruction Manual eBook Subscription Services
 - Hunter Wheel Balancer Instruction Manual Budget-Friendly Options
- 6. Navigating Hunter Wheel Balancer Instruction Manual eBook Formats
 - ePub, PDF, MOBI, and More
 - Hunter Wheel Balancer Instruction Manual Compatibility with Devices
 - Hunter Wheel Balancer Instruction Manual Enhanced eBook Features
- 7. Enhancing Your Reading Experience
 - Adjustable Fonts and Text Sizes of Hunter Wheel Balancer Instruction Manual
 - Highlighting and Note-Taking Hunter Wheel Balancer Instruction Manual
 - Interactive Elements Hunter Wheel Balancer Instruction Manual
- 8. Staying Engaged with Hunter Wheel Balancer Instruction Manual
 - Joining Online Reading Communities
 - Participating in Virtual Book Clubs
 - Following Authors and Publishers Hunter Wheel Balancer Instruction Manual
- 9. Balancing eBooks and Physical Books Hunter Wheel Balancer Instruction Manual
 - Benefits of a Digital Library
 - Creating a Diverse Reading Collection Hunter Wheel Balancer Instruction Manual
- 10. Overcoming Reading Challenges
 - Dealing with Digital Eye Strain
 - Minimizing Distractions
 - Managing Screen Time
- 11. Cultivating a Reading Routine Hunter Wheel Balancer Instruction Manual
 - Setting Reading Goals Hunter Wheel Balancer Instruction Manual
 - Carving Out Dedicated Reading Time
- 12. Sourcing Reliable Information of Hunter Wheel Balancer Instruction Manual
 - Fact-Checking eBook Content of Hunter Wheel Balancer Instruction Manual
 - Distinguishing Credible Sources

13. Promoting Lifelong Learning
 - Utilizing eBooks for Skill Development
 - Exploring Educational eBooks
14. Embracing eBook Trends
 - Integration of Multimedia Elements
 - Interactive and Gamified eBooks

Hunter Wheel Balancer Instruction Manual Introduction

Hunter Wheel Balancer Instruction Manual Offers over 60,000 free eBooks, including many classics that are in the public domain. Open Library: Provides access to over 1 million free eBooks, including classic literature and contemporary works. Hunter Wheel Balancer Instruction Manual Offers a vast collection of books, some of which are available for free as PDF downloads, particularly older books in the public domain. Hunter Wheel Balancer Instruction Manual : This website hosts a vast collection of scientific articles, books, and textbooks. While it operates in a legal gray area due to copyright issues, its a popular resource for finding various publications. Internet Archive for Hunter Wheel Balancer Instruction Manual : Has an extensive collection of digital content, including books, articles, videos, and more. It has a massive library of free downloadable books. Free-eBooks Hunter Wheel Balancer Instruction Manual Offers a diverse range of free eBooks across various genres. Hunter Wheel Balancer Instruction Manual Focuses mainly on educational books, textbooks, and business books. It offers free PDF downloads for educational purposes. Hunter Wheel Balancer Instruction Manual Provides a large selection of free eBooks in different genres, which are available for download in various formats, including PDF. Finding specific Hunter Wheel Balancer Instruction Manual, especially related to Hunter Wheel Balancer Instruction Manual, might be challenging as theyre often artistic creations rather than practical blueprints. However, you can explore the following steps to search for or create your own Online Searches: Look for websites, forums, or blogs dedicated to Hunter Wheel Balancer Instruction Manual, Sometimes enthusiasts share their designs or concepts in PDF format. Books and Magazines Some Hunter Wheel Balancer Instruction Manual books or magazines might include. Look for these in online stores or libraries. Remember that while Hunter Wheel Balancer Instruction Manual, sharing copyrighted material without permission is not legal. Always ensure youre either creating your own or obtaining them from legitimate sources that allow sharing and downloading. Library Check if your local library offers eBook lending services. Many libraries have digital catalogs where you can borrow Hunter Wheel Balancer Instruction Manual eBooks for free, including popular titles. Online Retailers: Websites like Amazon, Google Books, or Apple Books often sell eBooks. Sometimes, authors or publishers offer promotions or free periods for certain books. Authors Website Occasionally, authors provide excerpts or short stories for free on their websites.

While this might not be the Hunter Wheel Balancer Instruction Manual full book , it can give you a taste of the authors writing style.Subscription Services Platforms like Kindle Unlimited or Scribd offer subscription-based access to a wide range of Hunter Wheel Balancer Instruction Manual eBooks, including some popular titles.

FAQs About Hunter Wheel Balancer Instruction Manual Books

1. Where can I buy Hunter Wheel Balancer Instruction Manual books? Bookstores: Physical bookstores like Barnes & Noble, Waterstones, and independent local stores. Online Retailers: Amazon, Book Depository, and various online bookstores offer a wide range of books in physical and digital formats.
2. What are the different book formats available? Hardcover: Sturdy and durable, usually more expensive. Paperback: Cheaper, lighter, and more portable than hardcovers. E-books: Digital books available for e-readers like Kindle or software like Apple Books, Kindle, and Google Play Books.
3. How do I choose a Hunter Wheel Balancer Instruction Manual book to read? Genres: Consider the genre you enjoy (fiction, non-fiction, mystery, sci-fi, etc.). Recommendations: Ask friends, join book clubs, or explore online reviews and recommendations. Author: If you like a particular author, you might enjoy more of their work.
4. How do I take care of Hunter Wheel Balancer Instruction Manual books? Storage: Keep them away from direct sunlight and in a dry environment. Handling: Avoid folding pages, use bookmarks, and handle them with clean hands. Cleaning: Gently dust the covers and pages occasionally.
5. Can I borrow books without buying them? Public Libraries: Local libraries offer a wide range of books for borrowing. Book Swaps: Community book exchanges or online platforms where people exchange books.
6. How can I track my reading progress or manage my book collection? Book Tracking Apps: Goodreads, LibraryThing, and Book Catalogue are popular apps for tracking your reading progress and managing book collections. Spreadsheets: You can create your own spreadsheet to track books read, ratings, and other details.
7. What are Hunter Wheel Balancer Instruction Manual audiobooks, and where can I find them? Audiobooks: Audio recordings of books, perfect for listening while commuting or multitasking. Platforms: Audible, LibriVox, and Google Play Books offer a wide selection of audiobooks.
8. How do I support authors or the book industry? Buy Books: Purchase books from authors or independent bookstores. Reviews: Leave reviews on platforms like Goodreads or Amazon. Promotion: Share your favorite books on social media or recommend them to friends.

9. Are there book clubs or reading communities I can join? Local Clubs: Check for local book clubs in libraries or community centers. Online Communities: Platforms like Goodreads have virtual book clubs and discussion groups.
10. Can I read Hunter Wheel Balancer Instruction Manual books for free? Public Domain Books: Many classic books are available for free as they're in the public domain. Free E-books: Some websites offer free e-books legally, like Project Gutenberg or Open Library.

Find Hunter Wheel Balancer Instruction Manual :

[matlab source code for wireless sensor networks](#)

[matric 2015 economics paper 1 for march](#)

[mathxl for school answers key](#)

[maxxum 70service manual](#)

[matric march2common paper grade 12](#)

[matt moran beef cheeks recipe](#)

[matt barrett guide to greece](#)

[matric business studies exam 2014](#)

[mathworksheetland factoring trinomials](#)

[maths paper ieb grade 12](#)

[maths paper memo of june 2014](#)

[maths paper june 2grade12](#)

[matthews car mount manual](#)

[matrix 2003 to 2006 factory workshop service repair manual](#)

[maths question paper njuly 2014](#)

Hunter Wheel Balancer Instruction Manual :

Benson H Tongue Solutions Engineering Mechanics: Dynamics ... Solutions Manual · Study 101 · Textbook Rental · Used Textbooks · Digital Access ... Pin on Study Guides for textbooks Solutions Manual for Engineering Mechanics Dynamics 2nd Edition by Tongue ... a book with the title,'solution manual for business and financial purposes '. Solution manual for engineering mechanics dynamics 13th ... Mar 20, 2018 — Solution manual for engineering mechanics dynamics 13th edition by hibbeler ... ENGINEERING MECHANICS DYNAMICS 1ST EDITION BY TONGUE SOLUTIONS ... Full File at

[https://testbanku.eu/Solution-Manual-for- ...](https://testbanku.eu/Solution-Manual-for-...) Full file at <https://testbanku.eu/Solution-Manual-for-Engineering-Mechanics-Dynamics-2nd-Edition-by-Tongue>. 2.5. RELATIVE MOTION AND CONSTRAINTS CHAPTER 2 ... solution manual Dynamics:Analysis and Design of Systems in ... solution manual Dynamics:Analysis and Design of Systems in Motion Tongue 2nd Edition. \$38.00. 1. Add to Cart \$38.00. Description. Benson H Tongue | Get Textbooks Solutions Manual by Benson H. Tongue Paperback, 288 Pages, Published 1997 by ... Engineering Mechanics SI 2e, Engineering Mechanics: Statics SI 7e, Mechanics ... Engineering Mechanics: Dynamics - 2nd Edition Our resource for Engineering Mechanics: Dynamics includes answers to chapter exercises, as well as detailed information to walk you through the process step by ... Engineering Mechanics: Dynamics- Solutions Manual, Vol. ... Engineering Mechanics: Dynamics- Solutions Manual, Vol. 2, Chapters 17-21 [unknown author] on Amazon.com. *FREE* shipping on qualifying offers. Engineering Mechanics: Dynamics : Tongue, Benson H. Engineering Mechanics: Dynamics, 2nd Edition provides engineers with a conceptual understanding of how dynamics is applied in the field. The Gun Smith - Books Print length. 444 pages. Language. English. Publication date. June 29, 2019. Dimensions. 6 x 1.11 x 9 inches. ISBN-10. 1077045867. ISBN-13. 978-1077045866. See ... The Gun Smith by C.J. Petit - Kindle The Gun Smith - Kindle edition by Petit, C.J.. Download it once and read it ... English; File size: 2305 KB; Simultaneous device usage: Unlimited; Text-to ... The Gun Smith by C.J. Petit, Paperback ... Publication date: 06/29/2019. Pages: 446. Product dimensions: 6.00(w) x 9.00(h) ... English, English (United States). Active Filters. Active Filters 1 star Remove ... Shop Gunsmithing Books and Collectibles Browse and buy a vast selection of Gunsmithing Books and Collectibles on AbeBooks.com. gunsmith's manual Preparatory Guide on Becoming Gunsmith: An Introductory Manual to Learning and Discovering How to Become a professional Gunsmith In 5 Steps (Plus Skill by ... » Jim Batson Gunsmithing Collection Catalogs. The Gun Parts Corporation. The World Guide to Gun Parts 18th Edition ... Illustrated British Firearms Patents, by Stephen V. Grancsay and Merrill ... Gunsmith on Steam Build up your own arms manufacturing company. Find your factory, buy resources, produce a wide range of military equipment to sell to the highest bidder. Books and Guides - Gunsmithing Sep 14, 2023 — The Art of the English Trade Gun in North America by Nathan E. Bender. Call Number: Online Resource. ISBN: 9780786471157. Publication Date: 2018. Gunsmithing, Metal Work, Books Explore our list of Gunsmithing Books at Barnes & Noble®. Get your order fast and stress free with free curbside pickup. Health Promotion in Multicultural Populations Health Promotion in Multicultural Populations. A Handbook for Practitioners and Students. Third Edition. Edited by: Robert M. Huff - California State University ... Health Promotion in Multicultural Populations: A Handbook ... Health Promotion in Multicultural Populations: A Handbook for Practitioners and Students: 9781452276960: Medicine & Health Science Books @ Amazon.com. Health Promotion in Multicultural Populations - Sage Knowledge Health Promotion in Multicultural Populations: A Handbook for Practitioners and Students. Edition: Third Edition; Edited by: Robert M. Huff. Health Promotion in Multicultural Populations: A Handbook ... Health Promotion in Multicultural

Populations: A Handbook for Practitioners and Students (3rd ed.) is a 20-chapter book that provides health education and ... Health Promotion in Multicultural... by Kline, Michael V. Health Promotion in Multicultural Populations: A Handbook for Practitioners and Students. (40). \$82.85. Only 2 left in stock - order soon. Brief content ... Health Promotion in Multicultural Populations: A Handbook ... Using the Cultural Assessment Framework (CAF), this proven handbook includes a focus on six specific populations (Hispanic/Latino, African American, American ... Health promotion in multicultural populations - Falvey Library Health promotion in multicultural populations : a handbook for practitioners and students / ; Book · English · Los Angeles : Sage Publications, c2007. · 2nd ed. A Handbook for Practitioners and Students This second edition grounds readers in the understanding that health promotion programs in multicultural settings require an in-depth knowledge of the ... Health Promotion in Multicultural Populations 3rd edition Health Promotion in Multicultural Populations: A Handbook for Practitioners and Students 3rd Edition is written by Robert M. Huff; Michael V. Kline; ... Health Promotion in Multicultural Populations Using the Cultural Assessment Framework (CAF), this proven handbook includes a focus on six specific populations (Hispanic/Latino, African American, American ...