



SINCE

1886

## INSTALLATION INSTRUCTIONS FOR HUNTER CEILING FAN LIGHT KITS MODELS:

28330, 28331, 28332, 28333, 28334, 28335, 28336, 28337, 28338, 28339, 28340, 28341, 28342,  
28343, 28344, 28345, 28405, 28406, 28407, 28408, 28982, 28983, 28984, 28985, 28986, 28987

### CAUTIONS

Read entire text carefully before beginning installation and save these instructions.

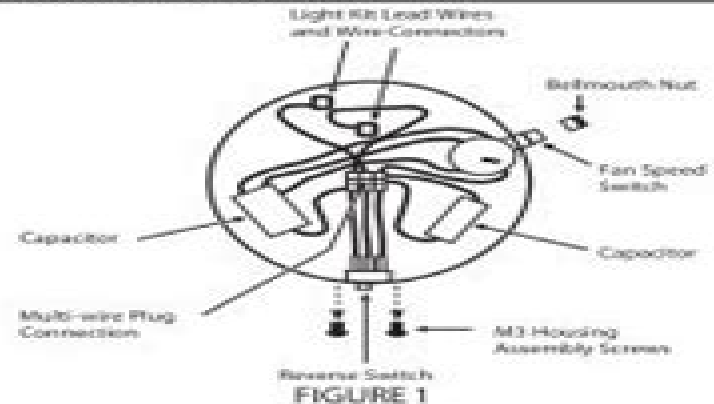
To reduce the risk of electrical shock, install this light kit only on Hunter ceiling fan models with removable switch housings.

### WARNING

- To avoid possible electrical shock, before installing light fixtures, disconnect power by turning off the circuit breakers both to the outlet box and to its associated wall switch location. If you cannot lock the circuit breakers in the off position, securely fasten a prominent warning device, such as a tag, to the service panel.

Connect house wiring to the fan before attaching the light fixture to the fan.

All wiring must be in accordance with national and local electrical codes and ANSI/NFPA 70. If you are unfamiliar with wiring, you should use a qualified electrician.



4. Locate and carefully remove the two capacitors from the switch housing.
5. You have now disconnected the wiring harness and its components from the switch housing and are ready to install them into the modular accessory light kit.

### STEP 1: REMOVING WIRING HARNESS

Before you can install the modular accessory light kit, you must remove the wiring harness and its components from the modular switch housing on the fans listed above. You must then install the wiring harness into the modular accessory light kit.

NOTE: Refer to Figure 1 for the steps listed below.

1. Locate the reversing switch and carefully remove the two screws holding the reversing switch to the switch housing. The reversing switch can now be removed from the switch housing.
2. Remove the patented breakaway connector from the fan pull chain.
3. Carefully loosen the bellmouth nut from the fan pull chain and remove the fan pull chain switch from the switch housing.

### STEP 2: INSTALLING WIRING HARNESS

NOTE: Refer to Figure 1 for steps listed below.

1. Locate the two wires in the lower switch housing labeled "Connect Light Here" or "For Light Use". One will be white, the other black with a white stripe. Unscrew the wire connectors counterclockwise to expose the bare metal leads.
2. Locate the white wire and the black wire coming from the light fixture.

Connect the black wire from the light fixture to the black wire with a white stripe from the lower switch housing.

Connect the white wire from the light fixture to the white wire from the lower switch housing.

To fasten the wires, twist the two bare leads together. Place a wire connector over the intertwined length of wire and twist clockwise until tight.

# Hunter Ceiling Fan Installation Manual

**Kathleen Armour**



## **Hunter Ceiling Fan Installation Manual:**

Right here, we have countless book **Hunter Ceiling Fan Installation Manual** and collections to check out. We additionally give variant types and as a consequence type of the books to browse. The okay book, fiction, history, novel, scientific research, as capably as various additional sorts of books are readily nearby here.

As this Hunter Ceiling Fan Installation Manual, it ends stirring being one of the favored ebook Hunter Ceiling Fan Installation Manual collections that we have. This is why you remain in the best website to see the incredible book to have.

[https://staging.conocer.cide.edu/public/publication/default.aspx/How\\_To\\_Get\\_Rid\\_Of\\_Maintenance\\_Required\\_Light\\_Toyota\\_Corolla\\_2010.pdf](https://staging.conocer.cide.edu/public/publication/default.aspx/How_To_Get_Rid_Of_Maintenance_Required_Light_Toyota_Corolla_2010.pdf)

## **Table of Contents Hunter Ceiling Fan Installation Manual**

1. Understanding the eBook Hunter Ceiling Fan Installation Manual
  - The Rise of Digital Reading Hunter Ceiling Fan Installation Manual
  - Advantages of eBooks Over Traditional Books
2. Identifying Hunter Ceiling Fan Installation Manual
  - Exploring Different Genres
  - Considering Fiction vs. Non-Fiction
  - Determining Your Reading Goals
3. Choosing the Right eBook Platform
  - Popular eBook Platforms
  - Features to Look for in an Hunter Ceiling Fan Installation Manual
  - User-Friendly Interface
4. Exploring eBook Recommendations from Hunter Ceiling Fan Installation Manual
  - Personalized Recommendations
  - Hunter Ceiling Fan Installation Manual User Reviews and Ratings
  - Hunter Ceiling Fan Installation Manual and Bestseller Lists
5. Accessing Hunter Ceiling Fan Installation Manual Free and Paid eBooks

- Hunter Ceiling Fan Installation Manual Public Domain eBooks
  - Hunter Ceiling Fan Installation Manual eBook Subscription Services
  - Hunter Ceiling Fan Installation Manual Budget-Friendly Options
6. Navigating Hunter Ceiling Fan Installation Manual eBook Formats
    - ePub, PDF, MOBI, and More
    - Hunter Ceiling Fan Installation Manual Compatibility with Devices
    - Hunter Ceiling Fan Installation Manual Enhanced eBook Features
  7. Enhancing Your Reading Experience
    - Adjustable Fonts and Text Sizes of Hunter Ceiling Fan Installation Manual
    - Highlighting and Note-Taking Hunter Ceiling Fan Installation Manual
    - Interactive Elements Hunter Ceiling Fan Installation Manual
  8. Staying Engaged with Hunter Ceiling Fan Installation Manual
    - Joining Online Reading Communities
    - Participating in Virtual Book Clubs
    - Following Authors and Publishers Hunter Ceiling Fan Installation Manual
  9. Balancing eBooks and Physical Books Hunter Ceiling Fan Installation Manual
    - Benefits of a Digital Library
    - Creating a Diverse Reading Collection Hunter Ceiling Fan Installation Manual
  10. Overcoming Reading Challenges
    - Dealing with Digital Eye Strain
    - Minimizing Distractions
    - Managing Screen Time
  11. Cultivating a Reading Routine Hunter Ceiling Fan Installation Manual
    - Setting Reading Goals Hunter Ceiling Fan Installation Manual
    - Carving Out Dedicated Reading Time
  12. Sourcing Reliable Information of Hunter Ceiling Fan Installation Manual
    - Fact-Checking eBook Content of Hunter Ceiling Fan Installation Manual
    - Distinguishing Credible Sources
  13. Promoting Lifelong Learning
    - Utilizing eBooks for Skill Development

- Exploring Educational eBooks
- 14. Embracing eBook Trends
  - Integration of Multimedia Elements
  - Interactive and Gamified eBooks

### **Hunter Ceiling Fan Installation Manual Introduction**

In this digital age, the convenience of accessing information at our fingertips has become a necessity. Whether its research papers, eBooks, or user manuals, PDF files have become the preferred format for sharing and reading documents. However, the cost associated with purchasing PDF files can sometimes be a barrier for many individuals and organizations. Thankfully, there are numerous websites and platforms that allow users to download free PDF files legally. In this article, we will explore some of the best platforms to download free PDFs. One of the most popular platforms to download free PDF files is Project Gutenberg. This online library offers over 60,000 free eBooks that are in the public domain. From classic literature to historical documents, Project Gutenberg provides a wide range of PDF files that can be downloaded and enjoyed on various devices. The website is user-friendly and allows users to search for specific titles or browse through different categories. Another reliable platform for downloading Hunter Ceiling Fan Installation Manual free PDF files is Open Library. With its vast collection of over 1 million eBooks, Open Library has something for every reader. The website offers a seamless experience by providing options to borrow or download PDF files. Users simply need to create a free account to access this treasure trove of knowledge. Open Library also allows users to contribute by uploading and sharing their own PDF files, making it a collaborative platform for book enthusiasts. For those interested in academic resources, there are websites dedicated to providing free PDFs of research papers and scientific articles. One such website is Academia.edu, which allows researchers and scholars to share their work with a global audience. Users can download PDF files of research papers, theses, and dissertations covering a wide range of subjects. Academia.edu also provides a platform for discussions and networking within the academic community. When it comes to downloading Hunter Ceiling Fan Installation Manual free PDF files of magazines, brochures, and catalogs, Issuu is a popular choice. This digital publishing platform hosts a vast collection of publications from around the world. Users can search for specific titles or explore various categories and genres. Issuu offers a seamless reading experience with its user-friendly interface and allows users to download PDF files for offline reading. Apart from dedicated platforms, search engines also play a crucial role in finding free PDF files. Google, for instance, has an advanced search feature that allows users to filter results by file type. By specifying the file type as "PDF," users can find websites that offer free PDF downloads on a specific topic. While downloading Hunter Ceiling Fan Installation Manual free PDF files is convenient, its important to note that copyright laws must be respected. Always ensure that the PDF

files you download are legally available for free. Many authors and publishers voluntarily provide free PDF versions of their work, but its essential to be cautious and verify the authenticity of the source before downloading Hunter Ceiling Fan Installation Manual. In conclusion, the internet offers numerous platforms and websites that allow users to download free PDF files legally. Whether its classic literature, research papers, or magazines, there is something for everyone. The platforms mentioned in this article, such as Project Gutenberg, Open Library, Academia.edu, and Issuu, provide access to a vast collection of PDF files. However, users should always be cautious and verify the legality of the source before downloading Hunter Ceiling Fan Installation Manual any PDF files. With these platforms, the world of PDF downloads is just a click away.

### **FAQs About Hunter Ceiling Fan Installation Manual Books**

How do I know which eBook platform is the best for me? Finding the best eBook platform depends on your reading preferences and device compatibility. Research different platforms, read user reviews, and explore their features before making a choice. Are free eBooks of good quality? Yes, many reputable platforms offer high-quality free eBooks, including classics and public domain works. However, make sure to verify the source to ensure the eBook credibility. Can I read eBooks without an eReader? Absolutely! Most eBook platforms offer web-based readers or mobile apps that allow you to read eBooks on your computer, tablet, or smartphone. How do I avoid digital eye strain while reading eBooks? To prevent digital eye strain, take regular breaks, adjust the font size and background color, and ensure proper lighting while reading eBooks. What the advantage of interactive eBooks? Interactive eBooks incorporate multimedia elements, quizzes, and activities, enhancing the reader engagement and providing a more immersive learning experience. Hunter Ceiling Fan Installation Manual is one of the best book in our library for free trial. We provide copy of Hunter Ceiling Fan Installation Manual in digital format, so the resources that you find are reliable. There are also many Ebooks of related with Hunter Ceiling Fan Installation Manual. Where to download Hunter Ceiling Fan Installation Manual online for free? Are you looking for Hunter Ceiling Fan Installation Manual PDF? This is definitely going to save you time and cash in something you should think about.

### **Find Hunter Ceiling Fan Installation Manual :**

[how to get rid of maintenance required light toyota corolla 2010](#)

[\*\*how to report a fraud\*\*](#)

[how to prepare for the ssatisee](#)

[how to heal the hurt by hating](#)

[how to replace canon projector lv 7265 lamp guide instruction](#)

[how to reset maint light on scion xb](#)

[how to reset cbr600rr cam chain tensioner](#)

[how to make a guide](#)

[how to reset maintenance required light on lexus ls430](#)

[how to get a love life english edition](#)

**how to make verizon ipad a hotspot**

**how to make a paper book for kids**

**how to get custom music on sims 3**

[how to kill a mockingbird worksheet answers](#)

[how to manually raise a power window](#)

### **Hunter Ceiling Fan Installation Manual :**

[general anesthesia in neonates and children agents and uptodate](#) - May 12 2023

web may 19 2022 pediatric anesthesia differs in important ways from anesthesia for adults this topic will discuss general principles of preanesthesia preparation induction and maintenance of general anesthesia and emergence from anesthesia for the healthy child undergoing routine surgery

**pediatric anesthesia concerns and management for orthopedic procedures** - Jun 01 2022

web nov 25 2019 anesthesiologists are presented with unique challenges when caring for pediatric patients undergoing orthopedic surgeries the anesthetic approach must consider a child s psychological development and frequent predilection to respiratory infections surgeries can range from simple ambulatory procedures to complex and

[a practice of anesthesia for infants and children sciencedirect](#) - Jun 13 2023

web presents must know information on standards techniques and the latest advances in pediatric anesthesia from global experts provides access to a video library of 70 pediatric anesthesia procedures 35 are new videos include demonstrations on managing the difficult pediatric airway cardiac assist devices in action new positioning devices

[pediatric anesthesia wikipedia](#) - Feb 26 2022

web pediatric anesthesia is a peer reviewed scientific journal published by john wiley and sons covering research on the use of anesthetics in children the current editor in chief is andrew davidson university of melbourne abstracting and indexing the journal is abstracted and indexed in



**anesthesia for pediatric surgical procedures springerlink** - Nov 06 2022

web oct 20 2022 an astute pediatric anesthesiologist must possess not only the knowledge of anesthesia as it pertains to pediatric patient care but must also understand developmental anesthesia for pediatric surgical procedures springerlink

**pediatric anesthesia outside of the operating room** - Sep 04 2022

web the text also covers specialized situations including a pediatric update on anesthesia sedation strategies for dental procedures electroconvulsive therapy cosmetic procedures ophthalmologic surgery procedures in the emergency department and infertility treatment

*anesthesia for innovative pediatric surgical procedures* - Dec 07 2022

web this article reviews the anesthetic considerations for these conditions and procedures keywords craniostosis endoscopic cranial suture release minimally invasive tethered cord release nuss procedure pectus excavatum tethered cord syndrome thoracic insufficiency syndrome vertical expandable prosthetic titanium rib veptr

*pediatric anesthesia procedures anesthesia illustr download* - Apr 30 2022

web pediatric anesthesia procedures anesthesia illustr 2019 05 18 siena bridget anesthesia unplugged second edition wolters kluwer india pvt ltd rev ed of pediatric anesthesia edited by george a gregory 4th ed c2002 pediatric anesthesia a guide for the non pediatric anesthesia provider part i jp medical ltd

**pediatric anesthesia springerlink** - Feb 09 2023

web aug 22 2019 pediatric ambulatory anesthesia care is required for several therapeutic and diagnostic procedures as well as imaging tests such as endoscopy and magnetic resonance imaging to ensure comfort and immobility

**pediatric anesthesia an overview sciencedirect topics** - Jul 02 2022

web pediatric anesthesia the pediatric anesthesia and neurodevelopment assessment study panda is a multicenter study investigating the neurodevelopment of children in the united states who have undergone general anesthesia prior to age three from mcdonald and avery s dentistry for the child and adolescent tenth edition 2016

**anesthesia and children the day of the procedure** - Jan 28 2022

web infants younger than 1 year of age may have solid food until 8 hours before anesthesia keep in mind that baby food and cereal are solid foods infant formula until 6 hours before anesthesia breast milk until 4 hours before anesthesia clear liquids until

*pediatricanesthesiap roceduresanesthesia illustr* - Dec 27 2021

web 4 4 pediatricanesthesiap roceduresanesthesiaillustr2022 03 21 and brain abscess with congenital heart diseases interesting topics like neuroanesthe sia in remote

**pediatric anesthesia wiley online library** - Jan 08 2023

web pediatric anesthesia advances the science and clinical practice of pediatric anesthesia pain management and peri operative medicine through dissemination of research education and quality improvement review our author guidelines and submit your manuscript to pediatric anesthesia

**pediatric anesthesia pmc national center for biotechnology** - Apr 11 2023

web jan 12 2019 anesthesiologists with mixed practice can deliver pediatric anesthesia for healthy children aged 3 years simple and routine procedures provided they have the adequate expertise and regular practice in pediatric anesthesia

**pediatric anesthesia airway management equipment and** - Mar 30 2022

web jun 4 2020 with a prologue to pediatric anesthesia this article focuses on the airway of a child equipment for pediatric anesthesia and other anesthetic considerations for children

**an overview of pediatric anesthesia springerlink** - Aug 03 2022

web aug 13 2019 pediatric anesthesia is very common 5 5 of children have an anesthetic each year and about half are preschool age the commonest indication for anesthesia is ent surgery but children often need anesthesia for procedures such as scans and dental treatment that an adult would tolerate without anesthesia

**pediatric anesthesia procedures oxford academic** - Aug 15 2023

web pediatric anesthesiology procedures is intended as a ready resource of common procedures in pediatric anesthesiology for both experts and novices it will be useful to both those with extensive training and experience as well as beginners and those with distant experience or training

statement on practice recommendations for pediatric anesthesia - Mar 10 2023

web oct 19 2011 the medical staff of individual patient care facilities should determine criteria for anesthetic care for pediatric patients anesthesia for pediatric patients may be provided and or directly and immediately supervised by a physician anesthesiologist with clinical privileges as noted below

**pediatric anesthesia procedures anesthesia illustr pdf ftp bonide** - Oct 05 2022

web pediatric anesthesia procedures anesthesia illustr smith s anesthesia for infants and children e book fundamentals of pediatric anesthesia principles and practice of pediatric anesthesia a guide to pediatric anesthesia essentials of regional anesthesia pediatric anesthesia a guide for the non pediatric anesthesia provider part ii

*index pediatric anesthesia procedures oxford academic* - Jul 14 2023

web pediatric anesthesia procedures anesthesia illustrated new york 2021 online edn oxford academic 1 jan 2021 doi org accessed 6 sept 2022

**ligji nr 03 l 225 pËr prokurorin e shtetit ekosova** - May 05 2023

web neni 1 qëllimi dhe fushëveprimi i ligjit ky ligj themelon dhe rregullon organizimin juridiksionin funksionimin

kompetencat dhe detyrat e prokurorit të shtetit neni 2 përkufizimet 1 shprehjet e përdorura në këtë ligj kanë këtë kuptim 1 1 prokurori i shtetit nënkupton institucionin e pavarur kompetent dhe përgjegjës për ndjekjen

*Прокуратура органдарының кадрлары Уикипедия* - Jul 27 2022

web Прокуратура органдарының қызметкерлігіне денсаулығына қарай жұмыс істеуге жарамды жоғары білімі бар азаматтар қабылдануы мүмкін Бұрын сотталған мемлекеттік қызметтен қуылған прокуратура қызметкерлері құқық

*Прокуратура органдарының жүйесі құрылымы және оларды* - Feb 19 2022

web Обылыс прокуроры Соңғысы прокуратура органдары жүйесінің бөлігі Қадағалау функцияларын іске асыратын бөлімшелер мен лауазымды адамдар прокурорлық қадағалау органдарының бір жүйесінде біріккен

**roli i prokurorit në shqyrtimin gjyqësor akademia e drejtësisë** - Apr 04 2023

web më datë 18 12 2018 në akademinë e drejtësisë në kuadër të programit të trajnimeve fillestare për prokurorët e sapo emëruar gjenerata vii është duke u zhvilluar trajnimi nga moduli kodi i procedurës penale nën moduli roli i prokurorit në shqyrtimin gjyqësor

*rritja e bashkëpunimit dhe koordinimit ndërmjet prokurorisë* - Feb 02 2023

web sore si dhe rikonfirmimin e rolit të prokurorit si drejtues i hetimeve paraprake këto masa vlerësohen si hapa të marrë për përmirësimin e bashkëpunimit dhe besimit reciprok mes policisë prokurorëve si dhe agjencive dhe organeve të tjera përkatëse për zbulimin dhe hetimin e çështjeve penale komplekse

seminar procedure penale prokurori publik i kosoves ppt - Jun 25 2022

web nov 15 2014 roli i prokurorit publik sa i përket qeshtësë se këqyrjes dhe rikonstruksionit prokurori publik ose gjykata mund të urdhërojë këqyrjen ose rikonstruksionin e vendit të ngjarjes për të shqyrtuar provat e mbledhura ose për të qartësuar faktet e rëndësishme për procedurën penale këqyrjen ose rikonstruksionin e tillë të vendit

ligji për prokurorinë e shtetit - Jan 01 2023

web 3urnxurul l 6kwhwlw gkh vhflol surnxuru sdud oljmlw vljxurq wudmwlw ws edudeduws remhnwly gkh sdsdudjm nlph ssu ws jmlwks shuvrwdw sdydusvlvkw jmlqlvs udfsv suhmdugkmhv nrpeswduh dsr

pdf roli drejtues i prokurorit osce - Oct 10 2023

web roli drejtues i prokurorit është një pozicion menaxherial që kryhet gjatë hetimit i cili përfshin organizimin e përgjithshëm të hetimit drejtimin e veprimeve hetimore dhe mbikëqyrjen e zhvillimit të çështjes duke siguruar zbatimin e duhur të të *organization for security and co operation in europe osce* - Jun 06 2023

web organization for security and co operation in europe osce

**udhëzim prokuroria rks org** - Nov 30 2022

web roli i prokurorit të shtetit në caktimin e dënimit nuk është përcaktuar sa duhet në kodin penal të republikës së Kosovës

tutje kprk dhe kodin e procedurës penale të republikës së kosovës

**details for roli i prokurorit të shtetit në procedurën penale kji** - Aug 08 2023

web roli i prokurorit të shtetit në procedurën penale hashim Çollaku by Çollaku hashim material type text language albanian publication details prishtinë kolegji aab 2013 edition botimi i dytë description 293 f 24 cm isbn 9789951494373 subject s procedura penale criminal procedure kosovë prokurorit prosecutors

**udhëzues pËr hetimin e korrupsionit dhe krimin** - Jul 07 2023

web roli i prokurorit 1 hyrje prokurori kryen funksione të ndryshme 1 nga njëra anë ai vepron si hetues në fakt si hetuesi kryesor për çështjet për të cilat ka nisur hetimi 2 si hetues vetë prokurori kryen veprime hetimore ose udhëzon o fi cerët agjentët e policisë gjyqësore të kryejnë veprime hetimore të caktuara

**roli i prokurorit** - Sep 09 2023

web 2 roli i prokurorit 2020 05 25 doctrine extensive extracts are included from a number of recent landmark rulings including decisions by the house of lords in b v dpp defence of mistake r v smith objective test for the defence of provocation r v hinks whether the recipient of a gift can be a thief and r v powell and daniels r v

*justicia ekosova* - Oct 30 2022

web së pari roli i prokurorit dhe i policisë ka ndryshuar ashtu që policisë i jepet më shumë autonomi gjatë fazës fillestare të zbulimit të krimin policia ka një autonomi të caktuar për ndërmarrjen e disa hapave fillestarë në hetimin e veprave penale sipas neneve 69 83 të kpp sipas nenit 69 paragrafri

*studime pasdiplomike cikli i dytë teza korrupsioni* - Mar 23 2022

web iv pËrmbajtja hyrje 1

*prokuroria e përgjithshme e shqipërisë wikipedia* - Mar 03 2023

web v t e prokuroria e përgjithshme e shqipërisë është një institucion kushtetues në shqipëri prokuroria ushtron ndjekjen penale si dhe përfaqëson akuzën në gjyq në emër të shtetit prokuroria i ushtron funksionet nëpërmjet prokurorëve në ushtrimin e kompetencave të tyre prokurorët u nënshtrohen kushtetutës dhe ligjeve

**akti i reagimit të prokurorisë llojet** - Apr 23 2022

web prokurori punësimi është një nga llojet e aktiviteteve publike që kanë për qëllim zbatimin e ligjit qëllimi i çdo profesionale në këtë fushë është për të siguruar sundimin e ligjit dhe respektimin e të drejtave lirive dhe interesave të njerëzve në të gjithë territorin e shtetit rus

roli i prokurorit të shtetit është shumë proaktiv siguri ekonomia - Sep 28 2022

web aug 20 2023 roli i prokurorit të shtetit është shumë proaktiv mitrovicë 18 tetor seria e tryezave të diskutimit drejtësia në zgjedhjet e 3 nëntorit vazhdoi sot në rajonin e mitrovicës e cila u organizua në bashkëpunim me ojq mundësia

**Прокурор Уикипедия** - Aug 28 2022

web Прокурор Прокурор жедел іздестіру қызметін анықтаудың тергеудің және сот шешімдерінің заңдылығын қадағалауды сондай ақ қылмыстық процестің барлық сатыларында қылмыстық ізге түсуді

*roli i prokurorit* - May 25 2022

web 4 roli i prokurorit 2023 05 25 law in the united states second edition is a concise presentation of the salient elements of the american legal system designed mainly for jurists of civil law backgrounds it focuses on features of american law likely to be least familiar to jurists from other legal traditions such as american common law the

[the book of ninja the bansenshukai japan s premier ninja](#) - Apr 17 2023

web oct 3 2013 bibtex endnote refman the book of ninja the ultimate ninjutsu manual was penned in 1676 by a ninja known as fujibayashi born in the post civil war era of

**the book of ninja the bansenshukai japan s premier ninja** - Feb 15 2023

web the first complete translation of the ultimate ninja manual the book of ninja provides a fully comprehensive guide to the ancient arts of the ninja including espionage warfare

**ninjas how japanese spies evolved into pop culture heroes** - Jan 02 2022

web nov 10 2023 according to the 17th century bansenshukai a 22 volume encyclopedia on the art of the ninja the ninjutsu discipline found inspiration in the guerrilla tactics of the

**9781780284934 the book of ninja the bansenshukai japan s** - Dec 01 2021

web the book of ninja the bansenshukai japan s premier ninja manual cummins antony minami yoshie published by watkins publishing edition illustrated 2013

**the book of ninja the bansenshukai japan s premier** - Jun 19 2023

web oct 1 2013 the book of ninja the bansenshukai japan s premier ninja manual antony cummins yoshie minami 4 04 146 ratings16 reviews the first complete

*the book of ninja the bansenshukai japan s premier ninja* - Mar 16 2023

web the book of ninja the bansenshukai japan s premier ninja manual ebook written by antony cummins read this book using google play books app on your pc android

**the book of ninja the bansenshukai japan s premier ninja** - Jul 20 2023

web oct 3 2013 known as the bansenhukai fujibayashi s book has now been translated into english by the historical ninjutsu research team and is widely considered to be the

[the book of ninja the bansenshukai japan s premier ninja](#) - Nov 12 2022

web the book of ninja the bansenshukai japan s premier ninja manual hardcover illustrated 1 november 2018 in 1676 a ninja

named fujibayashi collected and

**the book of ninja the bansenshukai japan s premier ninja** - Dec 13 2022

web in 1676 a ninja named fujibayashi collected and combined information from the ninja clans of iga regarded to be the homeland of the ninja and compiled it into an authoritative

the book of ninja the bansenshukai japan s premier ninja - Jul 08 2022

web nov 5 2013 overview the first complete translation of the ultimate ninja manual a comprehensive guide to the arts of the ninja including espionage warfare

*the book of ninja the bansenshukai japan s premier ninja* - Jan 14 2023

web the first abridged translation of the ultimate ninja manual a comprehensive guide to the arts of the ninja including espionage warfare assassination and more

*the book of ninja the bansenshukai japan s premier ninja* - Aug 21 2023

web the book of ninja the bansenshukai japan s premier ninja manual cummins ma antony minami yoshie amazon sg books

**the book of ninja the bansenshukai japan s premier ninja** - Sep 10 2022

web the book of ninja the bansenshukai japan s premier ninja manual by cummins antony minami yoshie and a great selection of related books art and collectibles

**the book of ninja the bansenshukai by cummins antony** - Oct 11 2022

web the book of ninja the bansenshukai japan s premier ninja manual hardcover illustrated 3 october 2013 by ma cummins antony author yoshie minami author

**the book of ninja the bansenshukai japan s premier ninja** - May 18 2023

web history military armed forces special elite forces the book of ninja the bansenshukai japan s premier ninja manual audible audiobook abridged antony

**the book of ninja the bansenshukai japan s premier ninja** - Apr 05 2022

web the book of ninja the bansenshukai japan s premier ninja manual cummins ma antony minami yoshie amazon com au books

*the book of ninja the bansenshukai japan s premier ninja* - Mar 04 2022

web the book of ninja the bansenshukai japan s premier ninja manual a book by antony cummins and yoshie minami

**the book of ninja the bansenshukai japan s premier pdf** - Oct 23 2023

web the book of ninja the bansenshukai japan s premier ninja manual free pdf download antony cummins 590 pages year 2013 japan

the book of ninja the bansenshukai japan s premier ninja - Jun 07 2022

web book of ninja the first complete translation of the bansenshukai japan s premier ninja manual cummins antony minami yoshie atsumi nakashima dr frw

*the book of ninja the bansenshukai japan s premier* - Sep 22 2023

web nov 5 2013 the book of ninja the bansenshukai japan s premier ninja manual hardcover illustrated november 5 2013 by antony cummins author yoshie minami

*book of ninja the first complete translation of the bansenshukai* - Feb 03 2022

web includes index the bansenshukai is a collection of ninja knowledge with the aim of saving this once hidden set of skills for future generations it was penned in 1676 by a

*the book of ninja the bansenshukai japan s premier ninja* - May 06 2022

web buy the book of ninja the bansenshukai japan s premier ninja manual illustrated by antony cummins isbn 8601404645242 from amazon s book store everyday low

**book of ninja the bansenshukai japan s premier ninja manual** - Aug 09 2022

web summary the bansenshukai is a collection of ninja knowledge with the aim of saving this once hidden set of skills for future generations it was penned in 1676 by a ninja known