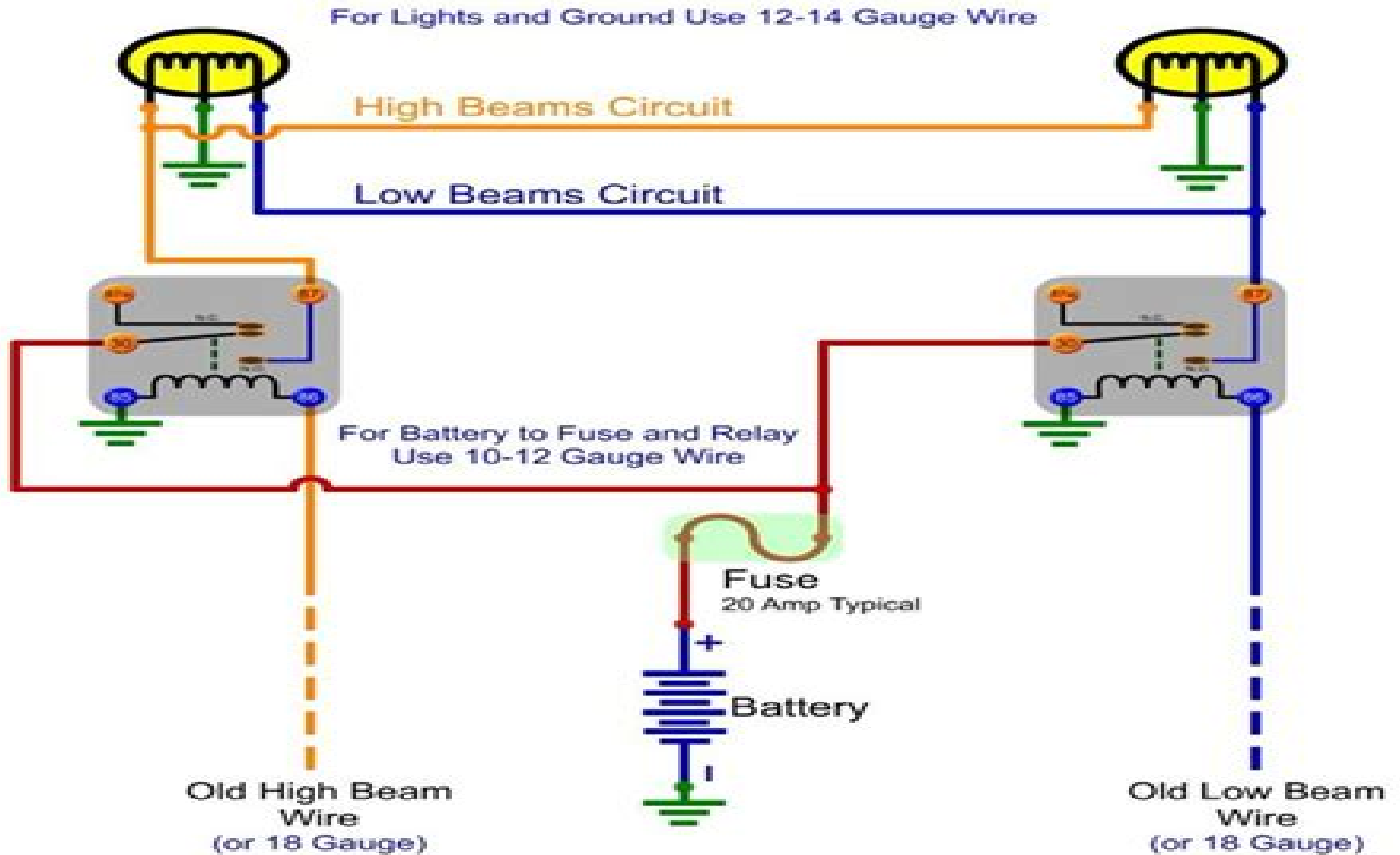


# Headlight Relay Conversion



# Headlight Wiring Diagram With Relay

**Camilla Rothe**



## Headlight Wiring Diagram With Relay:

Fuel your quest for knowledge with Authored by is thought-provoking masterpiece, Explore **Headlight Wiring Diagram With Relay** . This educational ebook, conveniently sized in PDF ( PDF Size: \*), is a gateway to personal growth and intellectual stimulation. Immerse yourself in the enriching content curated to cater to every eager mind. Download now and embark on a learning journey that promises to expand your horizons. .

[https://staging.conocer.cide.edu/results/browse/Documents/macbook\\_pro\\_manual\\_2014.pdf](https://staging.conocer.cide.edu/results/browse/Documents/macbook_pro_manual_2014.pdf)

## **Table of Contents Headlight Wiring Diagram With Relay**

1. Understanding the eBook Headlight Wiring Diagram With Relay
  - The Rise of Digital Reading Headlight Wiring Diagram With Relay
  - Advantages of eBooks Over Traditional Books
2. Identifying Headlight Wiring Diagram With Relay
  - Exploring Different Genres
  - Considering Fiction vs. Non-Fiction
  - Determining Your Reading Goals
3. Choosing the Right eBook Platform
  - Popular eBook Platforms
  - Features to Look for in an Headlight Wiring Diagram With Relay
  - User-Friendly Interface
4. Exploring eBook Recommendations from Headlight Wiring Diagram With Relay
  - Personalized Recommendations
  - Headlight Wiring Diagram With Relay User Reviews and Ratings
  - Headlight Wiring Diagram With Relay and Bestseller Lists
5. Accessing Headlight Wiring Diagram With Relay Free and Paid eBooks
  - Headlight Wiring Diagram With Relay Public Domain eBooks
  - Headlight Wiring Diagram With Relay eBook Subscription Services
  - Headlight Wiring Diagram With Relay Budget-Friendly Options

6. Navigating Headlight Wiring Diagram With Relay eBook Formats
  - ePub, PDF, MOBI, and More
  - Headlight Wiring Diagram With Relay Compatibility with Devices
  - Headlight Wiring Diagram With Relay Enhanced eBook Features
7. Enhancing Your Reading Experience
  - Adjustable Fonts and Text Sizes of Headlight Wiring Diagram With Relay
  - Highlighting and Note-Taking Headlight Wiring Diagram With Relay
  - Interactive Elements Headlight Wiring Diagram With Relay
8. Staying Engaged with Headlight Wiring Diagram With Relay
  - Joining Online Reading Communities
  - Participating in Virtual Book Clubs
  - Following Authors and Publishers Headlight Wiring Diagram With Relay
9. Balancing eBooks and Physical Books Headlight Wiring Diagram With Relay
  - Benefits of a Digital Library
  - Creating a Diverse Reading Collection Headlight Wiring Diagram With Relay
10. Overcoming Reading Challenges
  - Dealing with Digital Eye Strain
  - Minimizing Distractions
  - Managing Screen Time
11. Cultivating a Reading Routine Headlight Wiring Diagram With Relay
  - Setting Reading Goals Headlight Wiring Diagram With Relay
  - Carving Out Dedicated Reading Time
12. Sourcing Reliable Information of Headlight Wiring Diagram With Relay
  - Fact-Checking eBook Content of Headlight Wiring Diagram With Relay
  - Distinguishing Credible Sources
13. Promoting Lifelong Learning
  - Utilizing eBooks for Skill Development
  - Exploring Educational eBooks
14. Embracing eBook Trends
  - Integration of Multimedia Elements

- 
- Interactive and Gamified eBooks

## Headlight Wiring Diagram With Relay Introduction

Free PDF Books and Manuals for Download: Unlocking Knowledge at Your Fingertips In today's fast-paced digital age, obtaining valuable knowledge has become easier than ever. Thanks to the internet, a vast array of books and manuals are now available for free download in PDF format. Whether you are a student, professional, or simply an avid reader, this treasure trove of downloadable resources offers a wealth of information, conveniently accessible anytime, anywhere. The advent of online libraries and platforms dedicated to sharing knowledge has revolutionized the way we consume information. No longer confined to physical libraries or bookstores, readers can now access an extensive collection of digital books and manuals with just a few clicks. These resources, available in PDF, Microsoft Word, and PowerPoint formats, cater to a wide range of interests, including literature, technology, science, history, and much more. One notable platform where you can explore and download free Headlight Wiring Diagram With Relay PDF books and manuals is the internet's largest free library. Hosted online, this catalog compiles a vast assortment of documents, making it a veritable goldmine of knowledge. With its easy-to-use website interface and customizable PDF generator, this platform offers a user-friendly experience, allowing individuals to effortlessly navigate and access the information they seek. The availability of free PDF books and manuals on this platform demonstrates its commitment to democratizing education and empowering individuals with the tools needed to succeed in their chosen fields. It allows anyone, regardless of their background or financial limitations, to expand their horizons and gain insights from experts in various disciplines. One of the most significant advantages of downloading PDF books and manuals lies in their portability. Unlike physical copies, digital books can be stored and carried on a single device, such as a tablet or smartphone, saving valuable space and weight. This convenience makes it possible for readers to have their entire library at their fingertips, whether they are commuting, traveling, or simply enjoying a lazy afternoon at home. Additionally, digital files are easily searchable, enabling readers to locate specific information within seconds. With a few keystrokes, users can search for keywords, topics, or phrases, making research and finding relevant information a breeze. This efficiency saves time and effort, streamlining the learning process and allowing individuals to focus on extracting the information they need. Furthermore, the availability of free PDF books and manuals fosters a culture of continuous learning. By removing financial barriers, more people can access educational resources and pursue lifelong learning, contributing to personal growth and professional development. This democratization of knowledge promotes intellectual curiosity and empowers individuals to become lifelong learners, promoting progress and innovation in various fields. It is worth noting that while accessing free Headlight Wiring Diagram With Relay PDF books and manuals is convenient and cost-effective, it is vital to respect copyright laws and intellectual property rights. Platforms offering free downloads often operate within legal

boundaries, ensuring that the materials they provide are either in the public domain or authorized for distribution. By adhering to copyright laws, users can enjoy the benefits of free access to knowledge while supporting the authors and publishers who make these resources available. In conclusion, the availability of Headlight Wiring Diagram With Relay free PDF books and manuals for download has revolutionized the way we access and consume knowledge. With just a few clicks, individuals can explore a vast collection of resources across different disciplines, all free of charge. This accessibility empowers individuals to become lifelong learners, contributing to personal growth, professional development, and the advancement of society as a whole. So why not unlock a world of knowledge today? Start exploring the vast sea of free PDF books and manuals waiting to be discovered right at your fingertips.

### **FAQs About Headlight Wiring Diagram With Relay Books**

How do I know which eBook platform is the best for me? Finding the best eBook platform depends on your reading preferences and device compatibility. Research different platforms, read user reviews, and explore their features before making a choice. Are free eBooks of good quality? Yes, many reputable platforms offer high-quality free eBooks, including classics and public domain works. However, make sure to verify the source to ensure the eBook credibility. Can I read eBooks without an eReader? Absolutely! Most eBook platforms offer web-based readers or mobile apps that allow you to read eBooks on your computer, tablet, or smartphone. How do I avoid digital eye strain while reading eBooks? To prevent digital eye strain, take regular breaks, adjust the font size and background color, and ensure proper lighting while reading eBooks. What the advantage of interactive eBooks? Interactive eBooks incorporate multimedia elements, quizzes, and activities, enhancing the reader engagement and providing a more immersive learning experience. Headlight Wiring Diagram With Relay is one of the best book in our library for free trial. We provide copy of Headlight Wiring Diagram With Relay in digital format, so the resources that you find are reliable. There are also many Ebooks of related with Headlight Wiring Diagram With Relay. Where to download Headlight Wiring Diagram With Relay online for free? Are you looking for Headlight Wiring Diagram With Relay PDF? This is definitely going to save you time and cash in something you should think about.

### **Find Headlight Wiring Diagram With Relay :**

[macbook pro manual 2014](#)

[m14 5 mathsd sptzxx](#)

[macbeth unit short answer study guide](#)

[mac os x 10 5 leopard peachpit learning series robin williams](#)

[mac user guide for windows](#)

[ma premiegravere histoire de belgique documentaire histoire pour enfants](#)

[mac pro 15 service manual](#)

**m16 armorer manual**

**macbook air hard drive repair**

[m14 5 matme sl1 eng tz2 xx](#)

[m13 4 physi hp3 eng tzxx](#)

[m15 matsd sp2 eng tzxx](#)

**m n15 3 busmt bpeng tz0 xx cs**

[ma genealogie guide pratique pour tous](#)

[ma femme cette inconnue tome i roman](#)

### **Headlight Wiring Diagram With Relay :**

[intermediate cambridge university press assessment](#) - Mar 19 2023

web vocabulary in use intermediate stuart redman with ellen shaw p cm includes index isbn 0 521 63477 6 isbn 0 521 63478 4 pbk 1 vocabulary problems

**english vocabulary in use pre intermediate and intermediate with** - Aug 12 2022

web a2 listening are you a learner at a2 english level pre intermediate this section offers listening practice to help you understand common vocabulary and expressions in short

**english vocabulary in use pre intermediate and intermediate** - Mar 07 2022

web vocabulary in use high intermediate 100 units of vocabulary practice in north american english michael mccarthy cambridge university press 2010 english

[vocabulary intermediate and above b1 b2 level speakspeak](#) - Jul 11 2022

web mar 19 2013 a vocabulary list featuring intermediate practice answer a few questions on each word use this to prep for your next quiz vocabulary jam compete

**vocabulary in use high intermediate google books** - Dec 04 2021

**cambridge university press assessment in use** - Jul 23 2023

web test your english vocabulary in use pre intermediate and intermediate with answers



a2 listening learnenglish - May 09 2022

web exercises to help with grammar vocabulary listening reading and pronunciation exam levels first advanced proficiency  
ielts toefl authentic english listening and

*english vocabulary in use cambridge university press* - Nov 15 2022

web pre intermediate and intermediate with answers redman stuart free download borrow and streaming internet archive  
english vocabulary in use pre intermediate

english collocations in use intermediate book with answers - Nov 03 2021

*vocabulary in use intermediate student s book with answers* - Jun 10 2022

web english vocabulary in use pre intermediate and intermediate book with answers vocabulary reference and practice  
redman stuart amazon com tr kitap

*vocabulary in use intermediate with answers google books* - Apr 20 2023

web english vocabulary in use pre intermediate and intermediate the words you need to communicate with confidence

intermediate cambridge university press assessment - Jan 17 2023

web test your english vocabulary in use upper intermediate book with answers isbn 9781107638785 authors felicity o dell  
michael mccarthy english type british

**business vocabulary in use intermediate business vocabulary** - Jan 05 2022

web jun 14 2012 english vocabulary in use upper intermediate includes 100 units presenting vocabulary in typical contexts  
appropriate to b2 level this third edition has

*english vocabulary in use upper intermediate with answers and* - Oct 02 2021

*bbc learning english intermediate vocabulary* - Dec 16 2022

web 978 1 316 62831 7 english vocabulary in use pre intermediate and intermediate book with answers and enhanced ebook  
stuart redman lynda edwards 978 1 316

**intermediate vocabulary list vocabulary com** - Apr 08 2022

web vocabulary explanations and practice for intermediate b1 to b2 students and professionals looking to improve their  
knowledge and use of business english this book

**cambridge university press assessment vocabulary** - May 21 2023

web 978 1 316 62831 7 english vocabulary in use pre intermediate and intermediate book with answers and enhanced ebook  
stuart redman lynda edwards 978 1 316

---

*english vocabulary in use with answers series of 4 books* - Aug 24 2023

web are you a learner at b1 intermediate or b2 upper intermediate english level in this section you will find activities to help you learn the meaning pronunciation and spelling of

*english vocabulary in use pre intermediate* - Sep 25 2023

web business vocabulary in use intermediate book with answers and enhanced ebook 978 1 316 62997 0 clear explanations of business vocabulary plus exercises to practice

**b1 b2 vocabulary learnenglish** - Jun 22 2023

web apr 13 1999 vocabulary in use intermediate helps students who have mastered basic words and phrases to consolidate and expand their knowledge of english vocabulary

**contents** - Sep 13 2022

web apr 19 2010 usually ships within 2 to 3 days a three level vocabulary series for both self study and classroom use this best selling series gives students the support they need

**english vocabulary in use pre intermediate and intermediate** - Feb 18 2023

web english vocabulary in use pre intermediate and intermediate 3 contents thanks and acknowledgements 5 introduction 6 learning 1 learning vocabulary 8 2 keeping a

**vocabulary intermediate page one esl lounge student** - Feb 06 2022

web this book contains explanations and practice of english collocations for intermediate level b1 to b2 learners of english perfect for both self study and classroom activities learn

cambridge university press assessment vocabulary - Oct 14 2022

web upper intermediate exercises b2 level intermediate exercises a2 b1 level page 1 advanced vocabulary exercises c1 c2 level upper intermediate vocabulary

**microstrip antennas by bahl bhartia abebooks** - Dec 03 2022

web may 4 2023 edition availability 1 microstrip antennas 1980 artech house in english 0890060983 9780890060988 aaaa not in library

*microstrip antennas antenna library amazon co uk bahl i j* - Jun 28 2022

web nov 1 2000 based on bahl and bhartia s popular 1980 classic microstrip antennas this all new book provides the detail antenna engineers and designers need to design any

bahl bhartia microstrip antennas cyberlab sutd edu sg - Jul 30 2022

web details select delivery location used very good details sold by paper cavalier uk add to basket have one to sell sell on amazon see this image follow the author i j bahl

---

*microstrip antenna design handbook garg bhartia bahl itti piboon* - May 08 2023

web article bahl1982designom title design of microstrip antennas covered with a dielectric layer author inder j bahl and pawan k bhartia and stanislaw s stuchly

*i j bahl and p bhartia microstrip antennas artech house* - Dec 23 2021

web design analysis of a novel rectangular microstrip patch antenna with improved performance using matlab for pervasive wireless applications wireless and mobile

*i j bahl and p bhartia microstrip antennas artech house* - Nov 21 2021

**bahl bhartia microstrip antennas book** - Mar 26 2022

web oct 3 2016 bahl i j bhartia p microstrip antennas pdf file size 7 91 mb added by paramon 10 03 2016 01 30 info modified 10 22 2017 21 40 artech house publishers

**bahl i j bhartia p microstrip antennas sciarium** - Feb 22 2022

web oct 14 2019 microstrip and printed antenna design analysis of near field calculation of radiation patten using tte method cf angula spectmn of plane waves study of input

**microstrip antennas bahl j j bhartia p 9780890060988** - Aug 31 2022

web bahl bhartia microstrip antennas handbook of microstrip antennas dec 26 2022 the book reviews developments in the following fields circular microstrip antennas

*microstrip antennas by i j bahl open library* - Nov 02 2022

web jan 1 2005 bahl i j and p bhartia 1980 microstrip antennas feed give center frequency 2 425 ghz which it i s design handbook artech house approximately equal

*pdf design of microstrip antenna for wlan researchgate* - Oct 01 2022

web about this edition titlee microstrip antennas author s p bhartia et i j bahl publisher artech house publishers publishing year 1980 sate second hand good

*microstrip antenna design handbook ramesh garg google* - Apr 26 2022

web bahl bhartia microstrip antennas handbook of microstrip antennas may 03 2023 the book reviews developments in the following fields circular microstrip antennas

**design considerations in microstrip antenna fabrication** - Jan 04 2023

web microstrip antennas the artech house microwave library by j j bahl p bhartia and a great selection of related books art and collectibles available now at abebooks com microstrip antennas by bahl bhartia 16 results you searched for author bahl bhartia

---

**microstrip antennas covered with a dielectric layer** - Mar 06 2023

web frequency agile microstrip antennas inproceedings bhartia1982frequencyam title frequency agile microstrip antennas author prakash bhartia and inder j

*microstrip antennas i j bahl p bhartia google books* - Oct 13 2023

web microstrip antennas antenna library artech house microwave library authors i j bahl p bhartia edition 2 illustrated reprint publisher artech house 1980 isbn

microstrip antennas springerlink - Jul 10 2023

web jan 1 1980 microstrip antennas by j j bahl author p bhartia author see all formats and editions hardcover 40 97 6 used from 36 99 1 collectible from 71 19

*microstrip antenna design handbook ghent* - Sep 12 2023

web microstrip antennas prakash bhartia inder j bahl books on demand 1980 364 pages other editions view all about the author 1980 p bhartia ph d is director general

frequency agile microstrip antennas semantic scholar - Feb 05 2023

web it is found that for low dielectric substrate microstrip antennas the critical parameter affecting the change in resonant frequency is the error in antenna length while for high

microstrip antennas prakash bhartia inder j bahl google books - Aug 11 2023

web i j bahl p bhartia and s s stuchly design of microstrip antennas covered with a dielectric layer ieee trans antennas propag vol ap 30 no 2 pp 314 318 march

*microstrip antenna design handbook edition 1 hardcover* - May 28 2022

web based on the 1980 text microstrip antennas this volume offers information on designing any type of microstrip antenna in addition to addressing essential microchip antenna

*pdf microstrip antennas semantic scholar* - Jan 24 2022

web i j bahl and p bhartia microstrip antennas artech house dedham ma 1980 has been cited by the following article article design and performance evaluation of

*microstrip antennas bahl j j bhartia p 9780890060988* - Jun 09 2023

web bhartia bahl itti piboon microstrip antennas artech house dedham ma chapter 4 3 garg r bhartia p bahl i j ittipiboon p 2001 microstrip antenna design

**design of microstrip antennas covered with a dielectric layer** - Apr 07 2023

web microstrip antennas covered with a dielectric layer inproceedings bahl1980microstripac title microstrip antennas covered with a dielectric layer author inder j bahl and

*dodge durango iii gen 3 6l 5 7l 2011 2016 workshop manual wiring* - Mar 10 2023

web dodge durango iii gen 3 6l 5 7l 2011 2016 workshop manual wiring this manual includes the procedures for maintenance disassembling reassembling inspection and adjustment of components and diagnostics for guidance of experienced mechanics

**complete wiring diagram and harness pinouts link** - Jul 14 2023

web jul 25 2009 all detailed wiring diagrams and pinouts for every wire and connector on the 04 09 durango i would like to post it but it s 91mb i would love to see this thing as sticky in the technical section of this forum

*all the wiring info youll ever need for your 14 dodge durango* - Mar 30 2022

web jun 22 2020 keysense n a data bus white lt green security k line data keyless ignition node start stop button black 6 pin plug pin 5 can bus high gray can ihs gray white can c data data link connector black 16 pin plug pins 3 6 can bus low white can ihs yellow can c data data link connector black 16 pin plug pins 11 14 can

**transmission shift cable linkage dodge durango forum** - Apr 30 2022

web jan 19 2021 nmanpkr discussion starter jan 20 2021 1998 durango my eyelet on my gear selector cable seems to have fallen out i can select gears still but the connecting pin on the transmission selector level just floats inside the cable eyelet i have to select gear by feel as the dash doesn t line up with the gear because of the amount of play now

**dodge durango 2005 2005 chrysler durango wiring diagrams** - Nov 06 2022

web jul 4 2020 fig 2 dodge durango 2005 component locations integrated power module get access all wiring diagrams car fig 3 dodge durango 2005 component locations front of engine compartment get access all wiring diagrams car fig 4 dodge durango 2005 component locations front of engine compartment

[dodge durango workshop manual 2000 2003 onlymanuals](#) - Dec 27 2021

web check out our popular dodge durango manuals below dodge durango 4wd workshop manual v8 4 7l flex fuel 2008 dodge durango 4wd workshop manual v8 5 9l vin z 1998 dodge durango 2wd workshop manual v8 5 2l vin y 1999 dodge durango 4wd workshop manual v8 5 7l hybrid 2009 see all

**dodge durango 1998 2003 wiring diagrams electrical youtube** - Jan 28 2022

web jul 18 2022 717 views 1 year ago english wiring diagrams and electrical components locator for vehicles dodge durango 1998 2003 servicemanuals online more

**all wiring diagrams for dodge durango 2005 model** - Jun 13 2023

web jul 22 2020 automatic a c wiring diagram 1 of 2 for dodge durango 2005 get access all wiring diagrams car

**wiring diagram circuit 2013 dodge durango** - Jun 01 2022

web apr 27 2021 where can i get the circuit or wiring diagram for a 2013 dodge durango r t i am looking for the circuit that

shows everything that connects to the timp and ecm reply

**dodge car pdf manual electric wiring diagram fault** - Sep 04 2022

web dodge car manuals pdf download free caliber town n country journey nitro charger ram dodge car wiring diagrams 23

dodge fault codes dtc dodge car pdf manual electric wiring diagram fault codes dtc

**dodge durango factory service repair manuals cardiagn** - Feb 09 2023

web free online pdf for dodge durango workshop manuals dodge durango oem repair manuals dodge durango shop manuals

dodge durango electrical wiring diagrams ewd free online service and repair manuals

**transmission dodge durango 2004 system wiring diagrams** - Apr 11 2023

web apr 3 2020 transmission transfer case wiring diagram 3 7l 3 7l a t wiring diagram 4 7l 4 7l a t wiring diagram 1 of 2 4

7l a t wiring diagram 2 of 2 5 7l 5 7l a t wiring diagram 1 of 2 5 7l a t wiring diagram 2 of 2 transmission dodge durango 2004

system wiring diagrams

**dodge durango schematics and diagrams transmission and** - Aug 15 2023

web service manual transmission and transfer case schematics and diagrams hydraulic schematics hydraulic flow in park

hydraulic flow in neutral hydraulic flow in reverse hydraulic flow in drive first gear hydraulic flow in drive second gear

hydraulic flow in drive third gear converter

dodge wiring diagrams freeautomechanic - Aug 03 2022

web get dodge wiring diagrams for your car or truck engine electrical system troubleshooting schematics free dodge wiring diagrams

dodge factory service repair manuals cardiagn - Jan 08 2023

web also called 2011 2015 dodge durango dodge durango 2017 2020 service and repair manual this manual provides

information on diagnosis service procedures adjustments and specifications for the dodge durango third generation with 3 6l

pentastar v6 5 7l hemi v8 dodge durango electrical wiring diagrams 2017 dodge durango

**all wiring diagrams for dodge durango 2007** - Oct 05 2022

web jul 22 2020 4 7l flex fuel engine performance wiring diagram 4 of 6 for dodge durango 2007 get access all wiring

diagrams car 4 7l flex fuel engine performance wiring diagram 5 of 6 for dodge durango 2007

dodge durango hb 2005 2008 service repair manual wiring diagrams - Dec 07 2022

web dodge durango hb 2005 2008 service repair manual wiring diagrams manual contains step by step procedures detailed

illustrations diagrams and explanations that will guide you through your servicing and repairing of your motor vehicle

*wiring diagram testing help dodge durango forum* - Feb 26 2022

web nov 13 2020 good afternoon just picked up a 2000 durango with the 5 9l 4x4 from a local auction and running into a

---

few issues i was hoping to get some help with 2 questions im trying to understand what my results should shouldnt be when doing certain tests attached is the asd relay circuit

*2017 dodge durango system wiring diagrams free pdf* - May 12 2023

web this wiring diagram manual has been prepared to provide information on the electrical system of the 2017 dodge durango third generation index automatic a c circuit

dodge durango repair service manuals 60 pdf s - Jul 02 2022

web dodge durango service pdf s covering routine maintenance and servicing detailed dodge durango engine and associated service systems for repairs and overhaul pdf dodge durango transmission data service manual pdf dodge durango brakes and suspension pdf dodge durango wiring diagrams