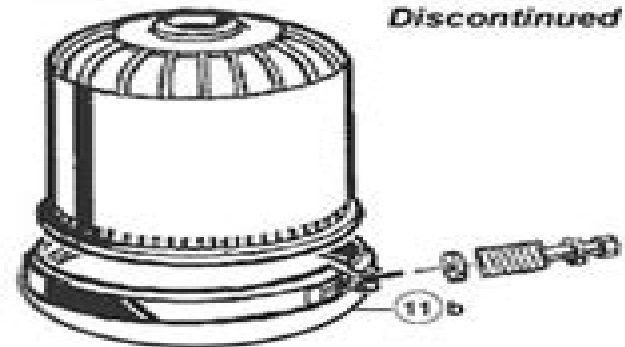


Models Made Before 2008

Discontinued



Hayward has discontinued the top, bottom, clamp and clamp nut on the old style Pro-Grid filters. The new style is not compatible (look closely at the clamp, the new one to the left is much thinner). All other parts are compatible.

Unfortunately if you are in need of one of these parts, replacement of the entire filter is the only option. There are some 3rd party manufacturers making obsolete Hayward parts, as of now none of these parts are in production. We are working closely with these manufacturers, as they become available we will post them here.

Hayward Filters Manual

L Manion



Hayward Filters Manual:

Embark on a breathtaking journey through nature and adventure with is mesmerizing ebook, Witness the Wonders in **Hayward Filters Manual** . This immersive experience, available for download in a PDF format (Download in PDF: *), transports you to the heart of natural marvels and thrilling escapades. Download now and let the adventure begin!

https://staging.conocer.cide.edu/public/detail/Download_PDFS/Interpersonal%20Skills%20For%20Healthcare%20Professionals.pdf

Table of Contents Hayward Filters Manual

1. Understanding the eBook Hayward Filters Manual
 - The Rise of Digital Reading Hayward Filters Manual
 - Advantages of eBooks Over Traditional Books
2. Identifying Hayward Filters Manual
 - Exploring Different Genres
 - Considering Fiction vs. Non-Fiction
 - Determining Your Reading Goals
3. Choosing the Right eBook Platform
 - Popular eBook Platforms
 - Features to Look for in an Hayward Filters Manual
 - User-Friendly Interface
4. Exploring eBook Recommendations from Hayward Filters Manual
 - Personalized Recommendations
 - Hayward Filters Manual User Reviews and Ratings
 - Hayward Filters Manual and Bestseller Lists
5. Accessing Hayward Filters Manual Free and Paid eBooks
 - Hayward Filters Manual Public Domain eBooks
 - Hayward Filters Manual eBook Subscription Services
 - Hayward Filters Manual Budget-Friendly Options

6. Navigating Hayward Filters Manual eBook Formats
 - ePub, PDF, MOBI, and More
 - Hayward Filters Manual Compatibility with Devices
 - Hayward Filters Manual Enhanced eBook Features
7. Enhancing Your Reading Experience
 - Adjustable Fonts and Text Sizes of Hayward Filters Manual
 - Highlighting and Note-Taking Hayward Filters Manual
 - Interactive Elements Hayward Filters Manual
8. Staying Engaged with Hayward Filters Manual
 - Joining Online Reading Communities
 - Participating in Virtual Book Clubs
 - Following Authors and Publishers Hayward Filters Manual
9. Balancing eBooks and Physical Books Hayward Filters Manual
 - Benefits of a Digital Library
 - Creating a Diverse Reading Collection Hayward Filters Manual
10. Overcoming Reading Challenges
 - Dealing with Digital Eye Strain
 - Minimizing Distractions
 - Managing Screen Time
11. Cultivating a Reading Routine Hayward Filters Manual
 - Setting Reading Goals Hayward Filters Manual
 - Carving Out Dedicated Reading Time
12. Sourcing Reliable Information of Hayward Filters Manual
 - Fact-Checking eBook Content of Hayward Filters Manual
 - Distinguishing Credible Sources
13. Promoting Lifelong Learning
 - Utilizing eBooks for Skill Development
 - Exploring Educational eBooks
14. Embracing eBook Trends
 - Integration of Multimedia Elements

- Interactive and Gamified eBooks

Hayward Filters Manual Introduction

Hayward Filters Manual Offers over 60,000 free eBooks, including many classics that are in the public domain. Open Library: Provides access to over 1 million free eBooks, including classic literature and contemporary works. Hayward Filters Manual Offers a vast collection of books, some of which are available for free as PDF downloads, particularly older books in the public domain. Hayward Filters Manual : This website hosts a vast collection of scientific articles, books, and textbooks. While it operates in a legal gray area due to copyright issues, its a popular resource for finding various publications. Internet Archive for Hayward Filters Manual : Has an extensive collection of digital content, including books, articles, videos, and more. It has a massive library of free downloadable books. Free-eBooks Hayward Filters Manual Offers a diverse range of free eBooks across various genres. Hayward Filters Manual Focuses mainly on educational books, textbooks, and business books. It offers free PDF downloads for educational purposes. Hayward Filters Manual Provides a large selection of free eBooks in different genres, which are available for download in various formats, including PDF. Finding specific Hayward Filters Manual, especially related to Hayward Filters Manual, might be challenging as theyre often artistic creations rather than practical blueprints. However, you can explore the following steps to search for or create your own Online Searches: Look for websites, forums, or blogs dedicated to Hayward Filters Manual, Sometimes enthusiasts share their designs or concepts in PDF format. Books and Magazines Some Hayward Filters Manual books or magazines might include. Look for these in online stores or libraries. Remember that while Hayward Filters Manual, sharing copyrighted material without permission is not legal. Always ensure youre either creating your own or obtaining them from legitimate sources that allow sharing and downloading. Library Check if your local library offers eBook lending services. Many libraries have digital catalogs where you can borrow Hayward Filters Manual eBooks for free, including popular titles. Online Retailers: Websites like Amazon, Google Books, or Apple Books often sell eBooks. Sometimes, authors or publishers offer promotions or free periods for certain books. Authors Website Occasionally, authors provide excerpts or short stories for free on their websites. While this might not be the Hayward Filters Manual full book , it can give you a taste of the authors writing style. Subscription Services Platforms like Kindle Unlimited or Scribd offer subscription-based access to a wide range of Hayward Filters Manual eBooks, including some popular titles.

FAQs About Hayward Filters Manual Books

1. Where can I buy Hayward Filters Manual books? Bookstores: Physical bookstores like Barnes & Noble, Waterstones, and independent local stores. Online Retailers: Amazon, Book Depository, and various online bookstores offer a wide range of books in physical and digital formats.
2. What are the different book formats available? Hardcover: Sturdy and durable, usually more expensive. Paperback: Cheaper, lighter, and more portable than hardcovers. E-books: Digital books available for e-readers like Kindle or software like Apple Books, Kindle, and Google Play Books.
3. How do I choose a Hayward Filters Manual book to read? Genres: Consider the genre you enjoy (fiction, non-fiction, mystery, sci-fi, etc.). Recommendations: Ask friends, join book clubs, or explore online reviews and recommendations. Author: If you like a particular author, you might enjoy more of their work.
4. How do I take care of Hayward Filters Manual books? Storage: Keep them away from direct sunlight and in a dry environment. Handling: Avoid folding pages, use bookmarks, and handle them with clean hands. Cleaning: Gently dust the covers and pages occasionally.
5. Can I borrow books without buying them? Public Libraries: Local libraries offer a wide range of books for borrowing. Book Swaps: Community book exchanges or online platforms where people exchange books.
6. How can I track my reading progress or manage my book collection? Book Tracking Apps: Goodreads, LibraryThing, and Book Catalogue are popular apps for tracking your reading progress and managing book collections. Spreadsheets: You can create your own spreadsheet to track books read, ratings, and other details.
7. What are Hayward Filters Manual audiobooks, and where can I find them? Audiobooks: Audio recordings of books, perfect for listening while commuting or multitasking. Platforms: Audible, LibriVox, and Google Play Books offer a wide selection of audiobooks.
8. How do I support authors or the book industry? Buy Books: Purchase books from authors or independent bookstores. Reviews: Leave reviews on platforms like Goodreads or Amazon. Promotion: Share your favorite books on social media or recommend them to friends.
9. Are there book clubs or reading communities I can join? Local Clubs: Check for local book clubs in libraries or community centers. Online Communities: Platforms like Goodreads have virtual book clubs and discussion groups.
10. Can I read Hayward Filters Manual books for free? Public Domain Books: Many classic books are available for free as they're in the public domain. Free E-books: Some websites offer free e-books legally, like Project Gutenberg or Open Library.

Find Hayward Filters Manual :

~~interpersonal skills for healthcare professionals~~

international whos who 199394 international whos who

international rice research 25 years of partnership

into eternity the nature of the universe and your contribution to it

interviews with black writers

interrupted lives four womens stories of internment during world war ii in the philippines

intimate friends dangerous rivals the turbulent relationship between freud and jung

international symposium on chinese archaic seals

interoperability of u.s. and nato allied air forces

intimate violence contemporary treatment innovations

into the labyrinth.

internet dating find your mate in 90 days

intifada the palestinian uprising against israel occupation

interpreting modern political philosophy from machiavelli to marx

internet explorer 5 explained babani computers

Hayward Filters Manual :

your free fresh start pack slimming world blog - Oct 08 2023

web dec 23 2022 our fresh start pack is filled with seven days of delicious recipes top tips and mindset shifting advice that ll inspire you to eat the food you love live the life you want and lose weight with slimming world best of all

the slimming world package slimming world blog - Aug 06 2023

web aug 30 2023 more than 1 900 recipes enjoy 24 7 access to a huge collection of delicious recipes on slimming world s members only website including hundreds of vegetarian and vegan options a handy weight loss planner record food and activity on our member website and app plus read motivational articles and amazing slimmer success stories

the slimming world starter pack everything you need to start - Jul 05 2023

web dec 17 2022 the slimming world starter pack is a great way to kick start your weight loss journey it contains everything you need to get started including a food diary a healthy eating plan and a list of delicious recipes plus you ll also receive a free membership to slimming world online where you can access even more support and motivation

[unofficial slimming world guide doing the plan without joining](#) - Jun 23 2022

web jan 29 2022 can you get slimming world books without joining a group the slimming world books are available for online slimming world members as well as those in groups the recipe books can be ordered from the website directly and the new starter pack is available online as part of the online membership options

amazon co uk slimming world starter pack - Jul 25 2022

web jan 6 2005 slimming world compatible food diet diary log journal weight loss wellness 7 week duration with stickers 2023 1 759 500 viewed in past week 895 8 06 with subscribe save discount save 5 on any 4 qualifying items get it tomorrow 11 may free delivery by amazon small business

pick up your free super charged member pack slimming world - Sep 07 2023

web dec 24 2021 discover two great ways to join slimming world here and if you re already a slimming world group member you can pick up a new pack for free when you attend group between 26th december 2021 and 15th january 2022 inclusive usually 10 14

slimming world starter pack official with special membership - Mar 21 2022

web slimming world starter pack official with special membership offer condition new quantity more than 10 available 58 sold price 19 99 buy it now add to basket watch this item this one s trending 58 have already sold breathe easy returns accepted postage may not post to united states

[slimming eats meal plans](#) - Jan 19 2022

web a selection of 7 day low calorie meal plans which includes breakfast lunch and dinner all with calculated calories printable food diary and shopping list

slimming world starter pack packs 2022 ebay - Nov 16 2021

web item location 4 results for slimming world starter pack packs 2022 save this search postage to ireland shop on ebay brand new 20 00 or best offer sponsored slimming world starter pack pre owned business eur 20 65 customs services and international tracking provided buy it now shessimplythebest 13 878 99 8

welcome to slimming world achieve your weight loss dreams slimming - Apr 02 2023

web fill up on everyday favourites like pasta potatoes fruit lean meat and veggie choices with no need to weigh or measure take control and become an expert in yourself we ll personalise our support to you helping you form healthy habits that last find a friendly welcoming and super supportive group

[amazon co uk slimming world books 2022 starter pack](#) - Apr 21 2022

web jan 6 2005 slimming world free foods 120 guilt free recipes for healthy appetites by slimming world 6 jan 2005 4 4 3 495 hardcover 1149 18 99 get it tomorrow 5 apr free delivery by amazon more buying choices 1 73 66 used new offers best

seller soup maker recipe book fast easy to follow nutritious delicious

slimming world 7 day meal plan full week printable - Dec 18 2021

web tuna toast add tuna and 30 grams of cheddar between 2 slices of wholemeal bread cook potatoes 30 grams of cheddar peppers carrots and corn and consume it with lettuce make a delicious cake in the oven with peppers spinach tomatoes and eggs a vegetable pasta lean skinless chicken with boiled bulgur and salad

slimming world explained the basics starter pack plus aldi - Aug 26 2022

web slimmingworld aldihaullike a lot of people i m on a health kick in january and trying to lose some weight i put on over christmas i d never tried slimmin

beginners guide to slimming world the starter pack youtube - Sep 26 2022

web oct 8 2017 0 00 10 33 beginners guide to slimming world the starter pack lucy s losing it it s lucy s life 444 subscribers subscribe 3 7k views 5 years ago hello today s video is all about the

slimming world starter pack 2020 amazon co uk - May 03 2023

web jan 1 2019 buy slimming world starter pack 2020 by slimming world isbn 9782990476409 from amazon s book store everyday low prices and free delivery on eligible orders

recipe this the ultimate guide to slimming world - May 23 2022

web by recipe this may 29 2017 this post contains affiliate links click here to read our full disclosure welcome to my ultimate guide to slimming world get ready for a full walk through of the slimming world diet plan including the free food the healthy extras the speed foods and of course the syns

slimming world food optimising starter pack paperback - Feb 17 2022

web product details asin b00k1xkvn2 publisher slimming world 1 jan 2014 language paperback customer reviews 3 4 3 4 out of 5 stars24 ratings about the author follow authors to get new release updates plus improved recommendations slimming world brief content visible double tap to read full content

7 ways to get off to a strong slimming start slimming world blog - Jan 31 2023

web jan 9 2023 by roxanne wells january 9 2023 we know that being at the beginning of your slimming journey or starting again after a setback can feel daunting so you ll always find the warmest of welcomes in a slimming world group as a new member you ll get everything you need to achieve the weight loss you want from week one

slimming world offers to help you slim and save slimming world - Jun 04 2023

web flash offer if you ve been a member of any slimming world group before you can get free membership saving 5 this offer s available between 29th october and 11th november 2023 simply show a previous membership card or pack no matter how old it is at your local group to redeem

slimming world starter pack 2019 golden anniversary edition - Dec 30 2022

web jan 1 2018 *slimming world starter pack 2019 golden anniversary edition paperback* 1 jan 2018 by *slimming world*
author *illustrator* 26 ratings see all formats and editions paperback 14 50 2 used from 12 49 brand new packs printed at the
end of 2018 for golden anniversary 2019 edition

slimming world going it alone guide free printable - Nov 28 2022

web jan 20 2017 if like me you plan on starting your *slimming world* journey alone or you just want to try the plan to see if it
s right for you before committing this guide should give you enough information to get on your way on the extra easy plan
don t forget to check this post out for my *slimming world essentials*

amazon co uk slimming world starter pack 2022 - Oct 28 2022

web 22 results for *slimming world starter pack 2022 results slimming world compatible food diary new year 2023 recipe diet*
journal planner 7 week countdown card with stickers pink always believe in yourself

discover slimming world online our digital only service - Mar 01 2023

web find out more about *slimming world online* lose weight your way with our super effective online weight loss programme
our convenient flexible digital only service will fit around you and your busy lifestyle it s rooted in psychology it s easy to use
wherever you are and it puts you in control

e din 8197 2021 05 1 5 2021 technical standard mystandards - Aug 07 2022

web jan 5 2021 e din 8197 2021 05 draft steel link chains reference profiles of hobs for sprockets for roller chains translate
name standard published on 1 5 2021

din 8197 profile help environment harvard edu - Mar 02 2022

web din 8197 profile this is likewise one of the factors by obtaining the soft documents of this din 8197 profile by online you
might not require more times to spend to go to the books instigation as competently as search for them in some cases you
likewise do not discover the broadcast din 8197 profile that you are looking for

din 8197 profile liululu - May 04 2022

web din 8197 profile pdf free download here hobbing cutters sn 22 2720 din 8197 pilsen tools pilsentools cz dokum k list e
hobbing cutters20 pdf manufacturing science and technology aemt2011 cad cam of the sprocket and the efficiency test
request keystone electronics 8197 pc screw

[din 8197 cie online store techstreet](#) - Jan 12 2023

web din 8197 steel link chains reference profiles of hobs for sprockets for roller chains standard by deutsches institut fur
normung e v german national standard 04 01 2022 view all product details

suchergebnisse din de - Dec 11 2022

web profile von zahnlückenfräsern für kettenräder für rollenkettensysteme ausgabe 2022 03 norm din 8197 stahlgelenkketten
bezugsprofile von wälzwerkzeugen für kettenräder für rollenkettensysteme ausgabe 2022 04

[fachdaten einzelsicht norm beuth de](#) - Sep 20 2023

web din 8197 2022 04 steel link chains reference profiles of hobs for sprockets for roller chains inform now

din 8192 1987 chain wheels for roller chains as specified in din - Jun 05 2022

web din 8192 1987 chain wheels for roller chains as specified in din 8187 dimensions these chain wheels are used to transmit power by means of roller chains according to din 8187 in chain drives according to din 8195

08504803097 kim olduğu bulundu dikkat neden arıyor öğrenin - Feb 01 2022

web jan 7 2022 ayrıca banka ve kurumsal firmalar da kullanmaktadır 0850 4803097 nolu telefon bilinmeyen numara sorgulama servisimize 07 01 2022 tarihinde kaydedilmiş ve 20274 defa sorgulanmıştır 850 480 30 97 tel no değerlendirmesi 12 yorum ve 5 üzerinden 2 2 puan aldı bu sonuca göre tehlikeli arama olarak kaydedilmiştir

[din 8197 en standard eu](#) - May 16 2023

web add to cart status standard released 2022 04 standard number din 8197 name steel link chains reference profiles of hobs for sprockets for roller chains

[din 8197 1980 06 beuth de](#) - Sep 08 2022

web din 8197 1980 06 stahlgelenkketten bezugsprofile von wälzwerkzeugen für kettenräder für rollenkettensysteme jetzt informieren

din 8197 ansi webstore - Nov 10 2022

web din 8197 2022 steel link chains reference profiles of hobs for sprockets for roller chains available for subscriptions content provider your alert profile lists the documents that will be monitored if the document is revised or amended you will be notified by email you may delete a document from your alert profile at any time

din 8197 1980 06 steel link chains reference profiles of hobs fo - Jun 17 2023

web din 8197 1980 06 superseded add to watchlist steel link chains reference profiles of hobs for sprockets for roller chains available format s hardcopy pdf

[fachdaten einzelsicht norm beuth de](#) - Apr 15 2023

web dieses dokument legt auch für die ketten 03 und 04 der zurückgezogenen norm din 8187 1 1996 03 die entsprechenden bezugsprofile fest gegenüber din 8197 1980 06 wurden folgende Änderungen vorgenommen a die ketten nummern wurden an din iso 606 angepasst b ketten nr

ubc 97 ve dbybhy 2007 yönetmeliklerinin karşılaştırmalı - Jul 06 2022

web bu çalışmanın temel amacı ubc 97 yönetmeliğinin çelik yapıların tasarımında uyguladığı kriterleri ortaya koyarak dbybhy

ile uygulamalı olarak birleşim noktalarının kontrolü ve boyutlandırılması bakımından karşılaştırılmasıdır ubc 97 yönetmeliğinin çelik yapıların boyutlandırılmasında kullandığı ubc asd97 ve ubc lrfd97 yönetmeliklerinin

din 8197 2022 04 1 4 2022 technical standard mystandards - Oct 09 2022

web jan 4 2022 din 8197 2022 04 steel link chains reference profiles of hobs for sprockets for roller chains translate name standard published on 1 4 2022

din 8197 techstreet - Feb 13 2023

web apr 1 2022 din 8197 steel link chains reference profiles of hobs for sprockets for roller chains standard by deutsches institut fur normung e v german national standard 04 01 2022 view all product details

din 8197 2022 04 normas aenor - Mar 14 2023

web din 8197 2022 04 steel link chains reference profiles of hobs for sprockets for roller chains chaînes articulées en acier profiles de revêtement d outils de laminage pour pignons pour chaînes à rouleau stahlgelenkketten bezugsprofile von wälzwerkzeugen für kettenräder für rollenkettten

simplex roller chains according to din 8187 1 european type - Jul 18 2023

web simplex roller chains according to din 8187 1 european type max max max max max max max max electrogalvanised or nickel plated chains on request in this case chains may only have 80 of the tensile strength

standard detayı tse - Apr 03 2022

web yürürlük durumu u yürürlükteki standard standard başlık esnek levhalar su yalıtımı için Çatı su yalıtımı için bitüm plastik ve kauçuk levhalar uv ışınması yüksek sıcaklık ve su kombinasyonuna uzun süreli maruz bırakma ile suni yaşlandırma metotları başlık İng flexible sheets for waterproofing

din 8197 2022 04 e normadoc - Aug 19 2023

web 1 din 8197 2022 04 e steel link chains reference profiles of hobs for sprockets for roller chains contents page 3 foreword 3

mri neuro protocols ara diagnostic imaging - Apr 08 2023

web magnetom espreo the world s first 1 5t open bore mri has changed open mr imaging mri forever with its compact length of only 125 cm and expanded 70 cm

magnetom espreo the first open bore mri - Mar 07 2023

web mri scanner protocols from recent models of general electric ge healthcare philips medical systems and siemens medical solutions are supported the tables below

mri protocol siemens espreo 1 ara diagnostic imaging - Jul 11 2023

web protocols breast mri breast mri breast mri on 1 5t magnetom sola sindre Øverstad department of radiology

radiumhospitalet oslo university hospital oslo norway

siemens com espree magnetom espree integrity medical - Oct 02 2022

web heart disease magnetom espree can help you evaluate the most complex pathologies efficiently combine the power and speed of magnetom espree with siemens syngo

siemens espree brochure open and tim 2 total md - Sep 01 2022

web from siemens medical systems 70 cm 125 cm 1 5t and tim a combination never seen before in mri magnetom espree s unique open bore design can

siemens magnetom espree 1 5t mri system - Mar 27 2022

web feb 18 2020 the serial port connects the controller to barcode readers printers operator interfaces and other simatic controllers rs232 rs422 and eia 485 formerly rs 485

single voxel spectroscopy siemens healthineers - May 09 2023

web nov 7 2023 hospital specific protocols siemens ge terminology other abbreviations cp mr1o espree gtn vil sequence fov mm slice mm

dti siemens healthineers - Jan 25 2022

tim planning suite siemens healthineers - Jun 29 2022

web magnetom espree 1 5t this webpage provides you with marketing tools to promote your magnetom espree click preview for more information on each marketing tool

protocols siemens healthineers - Oct 14 2023

web push button brain exam in 5 minutes download the protocols for 1 5 and 3t t1 psir for ms lesions in spinal cord download magnetom skyra edx file and phoenix images

breast protocols siemens healthineers - Sep 13 2023

web based on the cardiac dot engine we have prepared clinically optimized exam protocols for the siemens magnetom family of mri scanners including 3t magnetom vida and

scmr recommended protocols siemens healthineers - Aug 12 2023

web 1 install and save the mri sequence protocol to run for future cases as smith nephew knee label 116 protocol during the validation smith nephew uses a specific

protocols siemens healthineers usa - Dec 04 2022

web methods image acquisitions were performed with a 1 5 tesla magnetom espree scanner using the 12 channel head coil and spine coils of the total imaging matrix our standard

clinical neurological imaging on an open bore mri system - Nov 03 2022

web heart disease magnetom espreo can help you evaluate the most complex pathologies efficiently combine the power and speed of magnetom espreo with siemens syngo

breast mri siemens healthineers - Jun 10 2023

web single voxel spectroscopy single voxel spectroscopy svf shows increased choline signal in the lesion of the right temporal lobe proving malignancy software package with

siemens communication protocols and ports lab4sys.com - Feb 23 2022

web features measurement of up to 256 directions of diffusion weighting with up to 16 different b values up to 192 directions for magnetom essenza inline calculation of

adni mri scanner protocols - Feb 06 2023

web mr enterography protocol patient preparation 1 npo 2 hour prior to arriving 2 arrive 2 hours prior to exam time 3 oral contrast 1 liter volumen beginning 1 hour before

magnetom espreo 1.5t siemens healthineers usa - May 29 2022

web sep 10 2015 siemens espreo use 2 contiguous anterior coils upper lower abdomen i note for the siemens espreo separate series of the upper and lower abdomen

mre espreo mri tju.edu - Jan 05 2023

web download mri protocols access dicom images and application tips including videos on magnetom world

information for scheduling the exam mri tju.edu - Apr 27 2022

web the magnetom espreo 1.5t by siemens comes equipped with the shortest 1.5 tesla magnet that is available it can perform advanced clinical applications and comes

mri magnetom mr tip database - Jul 31 2022

web user interface of the rim planning suite for easy planning of extended field of view examinations easy planning of extended field of view examinations in an efficient way