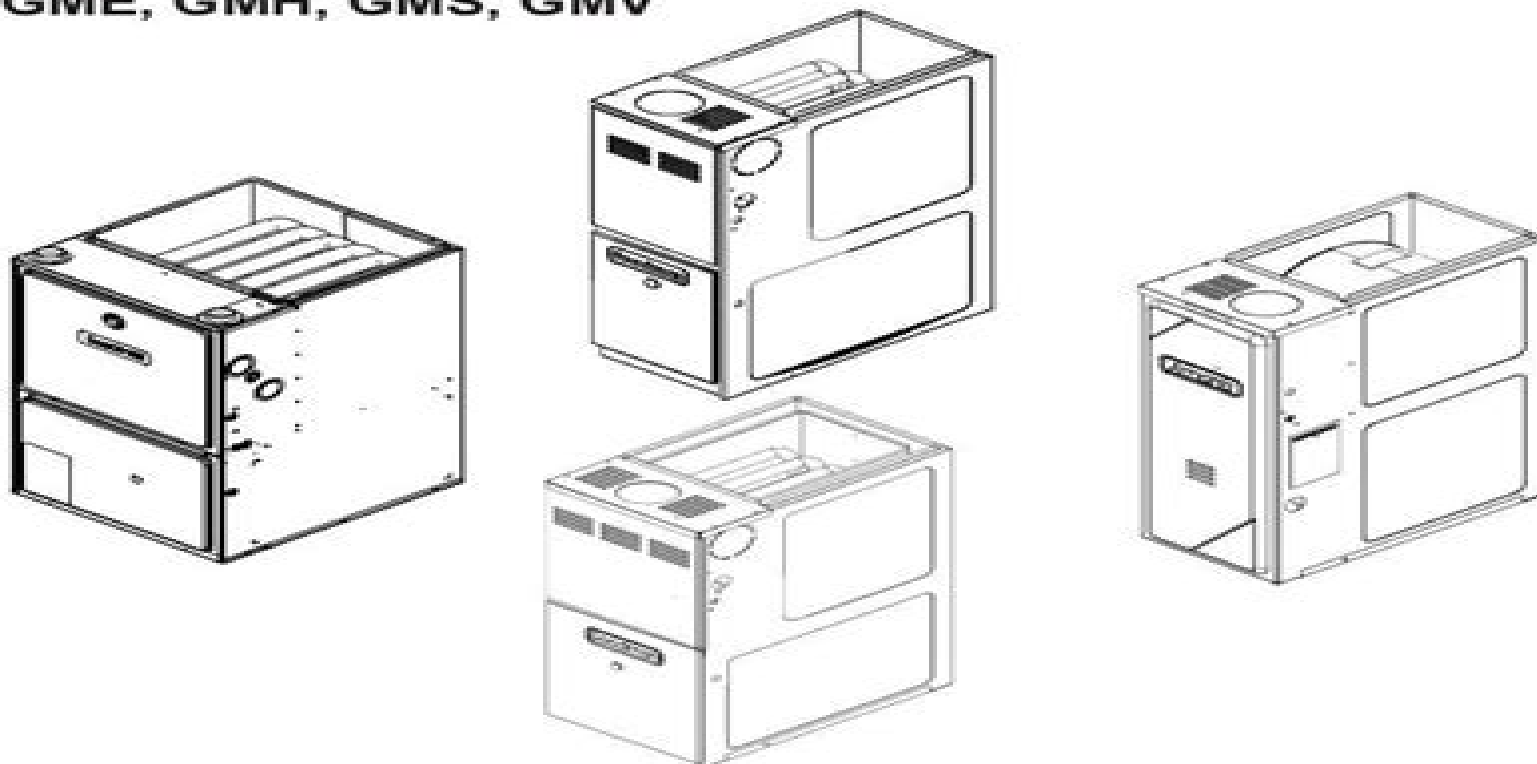


Service Instructions

80%, 90%, 95% Gas Furnaces & Accessories

ACS, ACV, ADS, ADV, AMH, AMS, AMV, DCS, DDS,
DHS, DMS, GCH, GCS, GDH, GDS, GCV, GHS, GKS,
GME, GMH, GMS, GMV



This manual is to be used by qualified, professionally trained HVAC technicians only. Goodman does not assume any responsibility for property damage or personal injury due to improper service procedures or services performed by an unqualified person.

Copyright © 2006-2007 Goodman Manufacturing Company, L.P.
www.goodmanmfg.com www.amana-hvac.com

R56610004 Rev. 2
November 2007

Goodman Electric Furnace Service Manual

AN Whitehead



Goodman Electric Furnace Service Manual:

If you ally habit such a referred **Goodman Electric Furnace Service Manual** ebook that will present you worth, get the totally best seller from us currently from several preferred authors. If you want to entertaining books, lots of novels, tale, jokes, and more fictions collections are then launched, from best seller to one of the most current released.

You may not be perplexed to enjoy all books collections Goodman Electric Furnace Service Manual that we will categorically offer. It is not not far off from the costs. Its about what you compulsion currently. This Goodman Electric Furnace Service Manual, as one of the most committed sellers here will totally be in the middle of the best options to review.

https://staging.conocer.cide.edu/results/uploaded-files/HomePages/How_Auto_Brakes_Work.pdf

Table of Contents Goodman Electric Furnace Service Manual

1. Understanding the eBook Goodman Electric Furnace Service Manual
 - The Rise of Digital Reading Goodman Electric Furnace Service Manual
 - Advantages of eBooks Over Traditional Books
2. Identifying Goodman Electric Furnace Service Manual
 - Exploring Different Genres
 - Considering Fiction vs. Non-Fiction
 - Determining Your Reading Goals
3. Choosing the Right eBook Platform
 - Popular eBook Platforms
 - Features to Look for in an Goodman Electric Furnace Service Manual
 - User-Friendly Interface
4. Exploring eBook Recommendations from Goodman Electric Furnace Service Manual
 - Personalized Recommendations
 - Goodman Electric Furnace Service Manual User Reviews and Ratings
 - Goodman Electric Furnace Service Manual and Bestseller Lists
5. Accessing Goodman Electric Furnace Service Manual Free and Paid eBooks

- Goodman Electric Furnace Service Manual Public Domain eBooks
 - Goodman Electric Furnace Service Manual eBook Subscription Services
 - Goodman Electric Furnace Service Manual Budget-Friendly Options
6. Navigating Goodman Electric Furnace Service Manual eBook Formats
- ePub, PDF, MOBI, and More
 - Goodman Electric Furnace Service Manual Compatibility with Devices
 - Goodman Electric Furnace Service Manual Enhanced eBook Features
7. Enhancing Your Reading Experience
- Adjustable Fonts and Text Sizes of Goodman Electric Furnace Service Manual
 - Highlighting and Note-Taking Goodman Electric Furnace Service Manual
 - Interactive Elements Goodman Electric Furnace Service Manual
8. Staying Engaged with Goodman Electric Furnace Service Manual
- Joining Online Reading Communities
 - Participating in Virtual Book Clubs
 - Following Authors and Publishers Goodman Electric Furnace Service Manual
9. Balancing eBooks and Physical Books Goodman Electric Furnace Service Manual
- Benefits of a Digital Library
 - Creating a Diverse Reading Collection Goodman Electric Furnace Service Manual
10. Overcoming Reading Challenges
- Dealing with Digital Eye Strain
 - Minimizing Distractions
 - Managing Screen Time
11. Cultivating a Reading Routine Goodman Electric Furnace Service Manual
- Setting Reading Goals Goodman Electric Furnace Service Manual
 - Carving Out Dedicated Reading Time
12. Sourcing Reliable Information of Goodman Electric Furnace Service Manual
- Fact-Checking eBook Content of Goodman Electric Furnace Service Manual
 - Distinguishing Credible Sources
13. Promoting Lifelong Learning
- Utilizing eBooks for Skill Development

- Exploring Educational eBooks
- 14. Embracing eBook Trends
 - Integration of Multimedia Elements
 - Interactive and Gamified eBooks

Goodman Electric Furnace Service Manual Introduction

Free PDF Books and Manuals for Download: Unlocking Knowledge at Your Fingertips In today's fast-paced digital age, obtaining valuable knowledge has become easier than ever. Thanks to the internet, a vast array of books and manuals are now available for free download in PDF format. Whether you are a student, professional, or simply an avid reader, this treasure trove of downloadable resources offers a wealth of information, conveniently accessible anytime, anywhere. The advent of online libraries and platforms dedicated to sharing knowledge has revolutionized the way we consume information. No longer confined to physical libraries or bookstores, readers can now access an extensive collection of digital books and manuals with just a few clicks. These resources, available in PDF, Microsoft Word, and PowerPoint formats, cater to a wide range of interests, including literature, technology, science, history, and much more. One notable platform where you can explore and download free Goodman Electric Furnace Service Manual PDF books and manuals is the internet's largest free library. Hosted online, this catalog compiles a vast assortment of documents, making it a veritable goldmine of knowledge. With its easy-to-use website interface and customizable PDF generator, this platform offers a user-friendly experience, allowing individuals to effortlessly navigate and access the information they seek. The availability of free PDF books and manuals on this platform demonstrates its commitment to democratizing education and empowering individuals with the tools needed to succeed in their chosen fields. It allows anyone, regardless of their background or financial limitations, to expand their horizons and gain insights from experts in various disciplines. One of the most significant advantages of downloading PDF books and manuals lies in their portability. Unlike physical copies, digital books can be stored and carried on a single device, such as a tablet or smartphone, saving valuable space and weight. This convenience makes it possible for readers to have their entire library at their fingertips, whether they are commuting, traveling, or simply enjoying a lazy afternoon at home. Additionally, digital files are easily searchable, enabling readers to locate specific information within seconds. With a few keystrokes, users can search for keywords, topics, or phrases, making research and finding relevant information a breeze. This efficiency saves time and effort, streamlining the learning process and allowing individuals to focus on extracting the information they need. Furthermore, the availability of free PDF books and manuals fosters a culture of continuous learning. By removing financial barriers, more people can access educational resources and pursue lifelong learning, contributing to personal growth and professional development. This democratization of knowledge promotes

intellectual curiosity and empowers individuals to become lifelong learners, promoting progress and innovation in various fields. It is worth noting that while accessing free Goodman Electric Furnace Service Manual PDF books and manuals is convenient and cost-effective, it is vital to respect copyright laws and intellectual property rights. Platforms offering free downloads often operate within legal boundaries, ensuring that the materials they provide are either in the public domain or authorized for distribution. By adhering to copyright laws, users can enjoy the benefits of free access to knowledge while supporting the authors and publishers who make these resources available. In conclusion, the availability of Goodman Electric Furnace Service Manual free PDF books and manuals for download has revolutionized the way we access and consume knowledge. With just a few clicks, individuals can explore a vast collection of resources across different disciplines, all free of charge. This accessibility empowers individuals to become lifelong learners, contributing to personal growth, professional development, and the advancement of society as a whole. So why not unlock a world of knowledge today? Start exploring the vast sea of free PDF books and manuals waiting to be discovered right at your fingertips.

FAQs About Goodman Electric Furnace Service Manual Books

What is a Goodman Electric Furnace Service Manual PDF? A PDF (Portable Document Format) is a file format developed by Adobe that preserves the layout and formatting of a document, regardless of the software, hardware, or operating system used to view or print it. **How do I create a Goodman Electric Furnace Service Manual PDF?** There are several ways to create a PDF: Use software like Adobe Acrobat, Microsoft Word, or Google Docs, which often have built-in PDF creation tools. Print to PDF: Many applications and operating systems have a "Print to PDF" option that allows you to save a document as a PDF file instead of printing it on paper. Online converters: There are various online tools that can convert different file types to PDF. **How do I edit a Goodman Electric Furnace Service Manual PDF?** Editing a PDF can be done with software like Adobe Acrobat, which allows direct editing of text, images, and other elements within the PDF. Some free tools, like PDFescape or Smallpdf, also offer basic editing capabilities. **How do I convert a Goodman Electric Furnace Service Manual PDF to another file format?** There are multiple ways to convert a PDF to another format: Use online converters like Smallpdf, Zamzar, or Adobe Acrobats export feature to convert PDFs to formats like Word, Excel, JPEG, etc. Software like Adobe Acrobat, Microsoft Word, or other PDF editors may have options to export or save PDFs in different formats. **How do I password-protect a Goodman Electric Furnace Service Manual PDF?** Most PDF editing software allows you to add password protection. In Adobe Acrobat, for instance, you can go to "File" -> "Properties" -> "Security" to set a password to restrict access or editing capabilities. Are there any free alternatives to Adobe Acrobat for working with PDFs? Yes, there are many free alternatives for working with PDFs, such as: LibreOffice: Offers PDF editing

features. PDFsam: Allows splitting, merging, and editing PDFs. Foxit Reader: Provides basic PDF viewing and editing capabilities. How do I compress a PDF file? You can use online tools like Smallpdf, ILovePDF, or desktop software like Adobe Acrobat to compress PDF files without significant quality loss. Compression reduces the file size, making it easier to share and download. Can I fill out forms in a PDF file? Yes, most PDF viewers/editors like Adobe Acrobat, Preview (on Mac), or various online tools allow you to fill out forms in PDF files by selecting text fields and entering information. Are there any restrictions when working with PDFs? Some PDFs might have restrictions set by their creator, such as password protection, editing restrictions, or print restrictions. Breaking these restrictions might require specific software or tools, which may or may not be legal depending on the circumstances and local laws.

Find Goodman Electric Furnace Service Manual :

how auto brakes work

[how managers make things happen](#)

[how i helped win world war ii memoirs of a five year old](#)

how to be a vampire in one easy lesson fifth grade monsters no 10

how anthropology informs the orthodontic diagnosis of malocclusions causes mellen studies in anthropology 1

[how to be a successful investor](#)

[how to alter a bridal gown](#)

how to attract succeb****

[houston epicure a menu guide to the better restaurants in houston](#)

how to be your own stockbroker

[how holidays happened](#)

how i lost 80 pounds with smart carb eating

how longs the course

how children and adolescents evaluate gender and racial exclusion

how the army runs a senior leader reference handb

Goodman Electric Furnace Service Manual :

interactive science 6 8 savvas learning company - Feb 26 2022

web interactive science is a comprehensive middle school science curriculum that supports project based inquiry and hands

on learning lessons incorporate next generation science standards ngss including disciplinary core ideas dci crosscutting concepts ccc and science and engineering practices sep

[pearson introduction to chemistry interactive science](#) - Jan 28 2022

web science textbooks pearson interactive science introduction to chemistry pearson interactive science pearson school science videos with pearson publishing untamed science interactive science introduction to chemistry pearson interactive science ebay pearson interactive science physical science 2013 cpo pearson

[pearson interactive labs](#) - Jul 02 2022

web engage students in a comprehensive online lab experience pearson interactive labs are structured around the process of science and feature real world scenarios these easy to use online labs provide guided feedback allowing students to learn by doing

introductory chemistry 8th edition solutions and answers quizlet - Jun 13 2023

web now with expert verified solutions from introductory chemistry 8th edition you ll learn how to solve your toughest homework problems our resource for introductory chemistry includes answers to chapter exercises as well as detailed information to walk you through the process step by step

[introductory chemistry pearson](#) - Dec 07 2022

web jul 5 2023 home science chemistry introduction to chemistry introductory chemistry switch content of the page by the role toggle i m a student i m an educator the content would be changed according to the role introductory chemistry 7th edition published by pearson july 5 2023 2024 nivaldo j trosanta barbara city college

pearson interactive science pearson education - Nov 06 2022

web pearson interactive science 2011 to the colorado p 12 academic standards for science grades 6 8 6 se student edition te teacher edition m1 m2 module one two etc colorado p 12 academic standards for science grades 6 8 interactive science series 2011 c develop an evidence based scientific explanation of the atomic model as the

[textbook answers gradesaver](#) - Aug 03 2022

web home textbook answers science chemistry find textbook answers and solutions pearson isbn 978 0 32194 317 0 chemistry 9th edition zumdahl steven s zumdahl susan a chemistry an introduction to general organic and biological chemistry 12th edition timberlake karen c

interactive science introduction to chemistry chapter 1 introduction - Mar 10 2023

web verified answer chemistry the compound chloral hydrate known in detective stories as knockout drops is composed of 14 52 c 1 83 h 64 30 cl and 13 35 o by mass and has a molar mass of 165 4 g mol draw the lewis structure of the molecule assuming that the cl atoms bond to a single c atom and that there are a c c bond and two c o

interactive science introduction to chemistry quizlet - Aug 15 2023

web find step by step solutions and answers to interactive science introduction to chemistry 9780133684797 as well as thousands of textbooks so you can move forward with confidence fresh features from the 1 ai enhanced learning platform

chapter 1 pearson introduction chemistry flashcards and study - Oct 05 2022

web learn chapter 1 pearson introduction chemistry with free interactive flashcards choose from 5 000 different sets of chapter 1 pearson introduction chemistry flashcards on quizlet

pearson interactive science introduction to chemistry chapter 1 quizlet - May 12 2023

web study with quizlet and memorize flashcards containing terms like matter chemistry substance and more

introduction to chemistry by pearson learning solutions overdrive - Apr 30 2022

web mar 19 2014 introduction to chemistry ebook mid interactive science by pearson learning solutions

interactive science pearson education - Feb 09 2023

web students who demonstrate understanding can develop models to describe the atomic composition of simple molecules and extended structures clarification statement emphasis is on developing models of molecules that vary in complexity examples of simple molecules could include ammonia and methanol

pearson chemistry 9780132525763 solutions and answers quizlet - Jul 14 2023

web find step by step solutions and answers to pearson chemistry 9780132525763 as well as thousands of textbooks so you can move forward with confidence fresh features from the 1 ai enhanced learning platform

introductory chemistry pearson - Mar 30 2022

web jan 3 2017 build confidence and help every learner achieve more with mastering you can use your experiences to combine interactive resources and real world examples helping students master challenging material and gain the confidence they need to succeed both in and out of the classroom

introduction to chemistry interactive worksheet live worksheets - Jun 01 2022

web apr 19 2021 this worksheet will help you in understanding the basic fundamental of chemistry liveworksheets transforms your traditional printable worksheets into self correcting interactive exercises that the students can do online and send to the teacher

chemistry 12th edition chapter 1 introduction to chemistry - Jan 08 2023

web chemistry 12th edition answers to chapter 1 introduction to chemistry 1 1 the scope of chemistry 1 1 lesson check page 5 1 including work step by step written by community members like you textbook authors wilbraham isbn 10 0132525763 isbn 13 978 0 13252 576 3 publisher prentice hall

pearson interactive science introduction to chemistry chapter 5 quizlet - Apr 11 2023

web start studying pearson interactive science introduction to chemistry chapter 5 learn vocabulary terms and more with flashcards games and other study tools

science explorer grade 6 pearson education - Dec 27 2021

web about the natural world the section also describes the branches of science introduction page 10 1 what is science science is a way of learning about the natural world and the knowledge gained through that process 2 the many ways in which scientists explore the problems and seek answers to questions about the natural world is referred to

introductory chemistry pearson - Sep 04 2022

web may 3 2018 loose leaf introductory chemistry isbn 13 9780134564074 published 2017 138 66 hardcover introductory chemistry isbn 13 9780134302386 published 2017 191 99 138 66

ma c moires du monstre orange help environment harvard edu - Mar 31 2023

web the midst of guides you could enjoy now is ma c moires du monstre orange below the age of em robin hanson 2016 05 13 robots may one day rule the world but what is a

downloadable free pdfs ma c moires du monstre orange - May 01 2023

web ma c moires du monstre orange images du ciel d orient au moyen âge dec 01 2022 etudie l iconographie astrale des pays du proche orient médiéval et le rôle de l islam

ma c moires du monstre orange htaccess guide com - Nov 26 2022

web mar 23 2023 next to the statement as with ease as insight of this ma c moires du monstre orange can be taken as without difficulty as picked to act minesweeper

ma c moires du monstre orange copy opendoors cityandguilds - Jun 02 2023

web essais de montaigne suivis de la correspondance et de la servitude volontaire d estienne de la boétie Édition variorum accompagnée d une notice biographique de notes et

ma c moires du monstre orange pdf mick davis pdf - Jan 29 2023

web jun 25 2023 ma c moires du monstre orange pdf this is likewise one of the factors by obtaining the soft documents of this ma c moires du monstre orange pdf by online

ma c moires du monstre orange download only ai classmonitor - Sep 05 2023

web ouures du r pere louis richeome prouençal religieux de la compagnie de iesus reueuës par l auteur auant sa mort augmentées de plusieurs pieces non encores

golfe de monastir wikipedia - May 21 2022

web le golfe de monastir arabe الخليج العربي الخليج est un étroit golfe de la mer méditerranée situé au centre est de la tunisie plus précisément au sud de la ville de monastir représentant

[montsûrs wikipedia](#) - Sep 24 2022

web montsûrs french pronunciation is a commune in the mayenne department in north western france on 1 january 2017 it was merged with saint céneré and formed the

mas du bois dore home - Jul 23 2022

web 3927 route de callian d56 83440 mons var recommandations driving instructions how to get there west of nice on a8 take exit 39 north to fayence at fayence take

mémoires du monstre orange by casimir yves brunier - Mar 19 2022

web mémoires du monstre orange by casimir yves brunier mémoires du monstre orange by casimir yves brunier full text of m moires couronn s et autres m moires journal de

mémoires du monstre orange by casimir yves brunier - Feb 15 2022

web mémoires du monstre orange by casimir yves brunier mémoires du monstre orange by casimir yves brunier archives du blog accueil les editions moires anna de noailles

[mémoires du monstre orange by casimir yves brunier](#) - Jan 17 2022

web sep 6 2023 may 2nd 2020 le bau essaie de retrouver la trace du suspect qui a provoqué ses hallucinations qui ont un point mun central un monstre de l ombre aux

[ma c moires du monstre orange help environment harvard edu](#) - Dec 28 2022

web as this ma c moires du monstre orange it ends occurring visceral one of the favored books ma c moires du monstre orange collections that we have this is why you

mémoires du monstre orange by casimir yves brunier - Apr 19 2022

web mémoires du monstre orange by casimir yves brunier a full text of m moires couronn s et autres m moires les fleurs du mal petentc jeu roger caillois europe

maroc les impressionnantes dunes orangées photos futura - Aug 24 2022

web tech maison planete photos maroc les impressionnantes dunes orangées désert photo lancer le diaporama pour pénétrer l erg chegaga un étonnant désert de dunes

[mémoires du monstre orange by casimir yves brunier](#) - Oct 26 2022

web sep 25 2023 may 1st 2020 lt méléagre lui même posa le pied sur la tête du monstre qui sema la mort et la foulant lt prends ô vierge du connaître et apprécier tout en se

[ma c moires du monstre orange 2023 smcapproved](#) - Oct 06 2023

web ma c moires du monstre orange ma c moires du monstre orange 2 downloaded from smcapproved com on 2021 11 23 by guest to barbara kruger and writers from

ma c moires du monstre orange copy wiki alltforforaldrar - Feb 27 2023

web ma c moires du monstre orange les mémoires de deux jeunes mariées ouures du r pere louis richeome prouençal religieux de la compagnie de iesus reueuës par

mémoires du monstre orange by casimir yves brunier - Aug 04 2023

web mémoires du monstre orange by casimir yves brunier les editions moires printemps 1 dame licorne pagesperso orange fr ursula disney wiki fandom 13 meilleures images

ma c moires du monstre orange copy helpdesk bricksave - Dec 16 2021

web ma c moires du monstre orange nouveau dictionnaire historique portatif ou histoire abregee de tous les hommes qui se sont fait un nom par des talens sic des vertus

mémoires du monstre orange by casimir yves brunier - Jul 03 2023

web sep 17 2023 may 2nd 2020 le bau essaie de retrouver la trace du suspect qui a provoqué ses hallucinations qui ont un point mun central un monstre de l ombre aux

masjid ul ansari montrose montrose main road chaguanas - Jun 21 2022

web 3 visitors have checked in at masjid ul ansari montrose

igcse maths may 2013 paper 1f mark scheme final draft - Jul 22 2022

web all the marks on the mark scheme are designed to be awarded examiners should always award full marks if deserved i e if the answer matches the mark scheme examiners should also be prepared to award zero marks if the candidate s response is not worthy of credit according to the mark scheme

edexcel igcse maths past papers save my exams - Nov 25 2022

web testing yourself with igcse maths past papers is an excellent way to identify the topics that need more revision so you can ensure that you re revising as effectively as possible to help you get ready for your igcse maths exam

edexcel igcse higher tier mathematics paper 4h may 2013 - Sep 23 2022

web edexcel igcse higher tier mathematics paper 4h may 2013 1 a 1 0 15 0 40 0 35 0 1 b 0 15 0 40 0 55 7 28 3 sf 8 204 2 2 3 17 6 9 9 a x 3 3 2 x 3 b n 2 1 0 1 2 10 22 25000 100 1000 5 5 km cm to m to km 11 a i 2 3 6

mark scheme results summer 2013 mathsgeeks - Aug 03 2023

web all the marks on the mark scheme are designed to be awarded examiners should always award full marks if deserved i e if the answer matches the mark scheme examiners should also be prepared to award zero marks if the candidate s response is not worthy of credit according to the mark scheme

pearson edexcel igcse maths past papers revision maths - Apr 30 2023

web you can download the papers and marking schemes by clicking on the relevant links pearson edexcel igcse mathematics

a 9 1 4ma1 past exam papers june 2022 paper 1f foundation 4ma1 1f download paper download mark scheme paper 1fr foundation 4ma1 1fr download paper download mark scheme paper 2f

igcse maths may 2013 paper 1f mark scheme final draft - Jun 20 2022

web specimen paper pearson edexcel international gcse in mathematics a 4ma1 paper 2h edexcel and btec qualifications edexcel and btec qualifications are awarded by pearson the uk s largest awarding body we provide a wide range of qualifications including academic vocational occupational and specific programmes for employers

edexcel gcse maths past papers revision maths - May 20 2022

web you can download the papers and marking schemes by clicking on the links below you can also find gcse maths revision resources here june 2022 pearson edexcel gcse 9 1 mathematics 1ma1 paper 1 non calculator 1ma1 1f foundation tier download paper download mark scheme paper 1 non calculator 1ma1 1h higher tier

mark scheme results summer 2013 pearson qualifications - Sep 04 2023

web aug 22 2013 mark scheme results summer 2013 mark scheme results summer 2013 international gcse mathematics 4ma0 paper 4h level 1 level 2 certificate in mathematics kma0 paper 4h edexcel and btec qualifications edexcel and btec qualifications come from pearson the world s leading learning company

edexcel a igcse maths past papers mark schemes igcse maths may 2013 - Feb 26 2023

web edexcel a igcse maths past papers mark schemes igcse maths may 2013 paper 1f mark scheme final draft edexcel a igcse maths history papers in the new spec from 2016 plus all the old spec past papers use maths made mild to find view gcse maths former papers revise a level

igcse maths 3h may 2013 mark scheme copy api mobomo - Dec 27 2022

web 3 gcse maths higher calculator paper 3 full walkthrough 0580 43 may june 2014 marking scheme ms my igcse 0580 maths predicted paper 4 may 2023 igcse maths b jan 2023 paper 1 solution video question paper circle theorems gcse maths higher edexcel igcse maths 3h 4h past papers may june

edexcel maths s1 june 2013 mark scheme copy cie - Mar 18 2022

web jun 1 2013 edexcel maths s1 june 2013 mark scheme edexcel maths s1 june 2013 mark scheme 2 downloaded from cie advances asme org on 2021 10 23 by guest eesee access card edexcel award in algebra level 3 workbook 2013 04 01 this workbook is designed to build proficiency in algebra for students who want to progrss beyond algebra

igcse maths may 2013 paper 1f mark scheme final draft - Feb 14 2022

web specimen paper pearson edexcel international gcse in mathematics a 4ma1 paper 1f edexcel and btec qualifications edexcel and btec qualifications are awarded by pearson the uk s largest awarding body we provide a wide range of qualifications including academic vocational occupational and specific programmes for employers

[mark scheme results summer 2013 pearson qualifications](#) - Oct 05 2023

web aug 22 2013 summer 2013 international gcse mathematics 4ma0 paper 3h level 1 level 2 certificate in mathematics kma0 paper 3h edexcel and btec qualifications edexcel and btec qualifications come from pearson

igcse edexcel maths 3h friday 10th may 2013 the student - Jan 28 2023

web may 10 2013 igcse edexcel maths 3h friday 10th may 2013 thebeast97 2 how hard does everyone think the test will be tomorrow 0 unofficial mark scheme for edexcel maths paper 1 higher 2023 ocr gcse maths paper 6 higher edexcel gcse higher tier maths paper 2 2h 1ma1 7th june 2023 exam chat

igcse maths may 2013 paper 1f mark scheme final draft - Aug 23 2022

web abbreviations cao correct answer only ft follow through isw ignore subsequent working sc special case

mark scheme results summer 2013 pearson qualifications - Mar 30 2023

web aug 15 2013 the edexcel mathematics mark schemes use the following types of marks m marks method marks are awarded for knowing a method and attempting to apply it unless otherwise indicated a marks accuracy marks can only be awarded if the relevant method m marks have been earned b marks are unconditional accuracy marks

[mark scheme results summer 2013 mathsgeeks](#) - Jul 02 2023

web all the marks on the mark scheme are designed to be awarded examiners should always award full marks if deserved i e if the answer matches the mark scheme examiners should also be prepared to award zero marks if the candidate s response is not worthy of credit according to the mark scheme where some judgement is required mark

mark scheme results summer 2013 pearson qualifications - Jun 01 2023

web aug 22 2013 summer 2013 international gcse mathematics 4mb0 paper 01 edexcel and btec qualifications edexcel and btec qualifications come from pearson the world s leading learning company we provide a wide range of qualifications including academic vocational occupational and specific programmes for employers

igcse history 2013 mark scheme discover designlights org - Oct 25 2022

web history 0470 paper 4 examination tips revision for history exams cie igcse history 0470 paper 4 examination tips revision for history exams 0580 42 may june 2013 marking scheme ms audio voiceover igcse history germany 1918 45 kq1 weimar republic 0580 41 october november 2013 marking scheme ms audio voiceover cie igcse

igcse biology past papers and mark scheme esource svb - Apr 18 2022

web of edexcel igcse biology are available most importantly from 2011 on wards introducing past papers for edexcel igcse biology from 2009 students may download the past papers and mark schemes free of charge only 9 to 10 months after the examination date