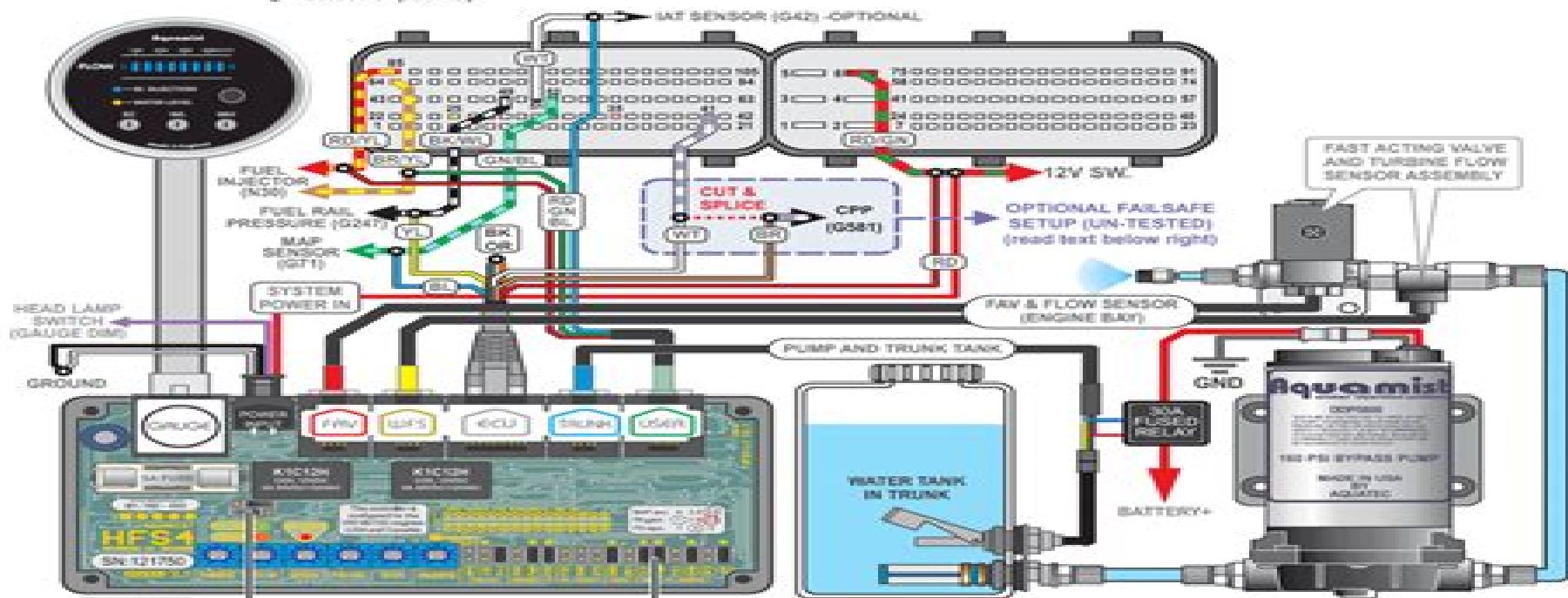


preliminary **HFS4-v3.1 for VW MK7 & Audi S3 engines (US model)_{v1}**

● - solder or posi-tap



IDC SIGNAL PRE-SCALER:

The jumper-link above must be set to location (marked in RED) if they are not preset from factory.

Connecting the HFS4 to the factory ECU:

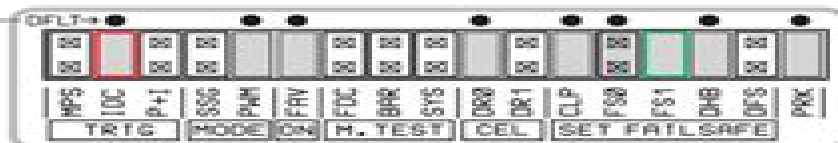
In order to extract the full capability the HFS4, the system needs to read a few signals from the factory ECU wires. This can be achieved as follows:

1. Strip wire insulation, solder and vinyl taped. This is the most secure method for those who have soldering skills.
2. POSI-TAP: An alternative secure way to tap without the use of tools. Tapped junction is well insulated.

They are available from:

<http://www.posi-products.com/posiplug.html>

CONFIGURATING THE JUMPER LINKS :



The "IDC" (marked in Red) jumper link is the recommended for used with the US model. This enables the system to be triggered by the IDC signal which is a more representative load signal than the single dimension boost pressure signal.

The FS1 (marked in green) is set from the factory for the MK7 and S3 engine. Upon failsafe activation, the ECU will reduce boost. This is done by the imposing a 5V to the Electronic wastegate signal to the ECU (G581).

If failsafe is required, you do not need to "splice and cut" the wires inside the shaded box in violet.

Golf Mkwiring Diagram

E Durkheim



Golf Mkwiring Diagram:

Embark on a breathtaking journey through nature and adventure with Explore with is mesmerizing ebook, Natureis Adventure: **Golf Mkwiring Diagram** . This immersive experience, available for download in a PDF format (*), transports you to the heart of natural marvels and thrilling escapades. Download now and let the adventure begin!

https://staging.conocer.cide.edu/files/uploaded-files/Download_PDFS/invaders_text_a_time_to_remember_series_a_time_to_remember_series.pdf

Table of Contents Golf Mkwiring Diagram

1. Understanding the eBook Golf Mkwiring Diagram
 - The Rise of Digital Reading Golf Mkwiring Diagram
 - Advantages of eBooks Over Traditional Books
2. Identifying Golf Mkwiring Diagram
 - Exploring Different Genres
 - Considering Fiction vs. Non-Fiction
 - Determining Your Reading Goals
3. Choosing the Right eBook Platform
 - Popular eBook Platforms
 - Features to Look for in an Golf Mkwiring Diagram
 - User-Friendly Interface
4. Exploring eBook Recommendations from Golf Mkwiring Diagram
 - Personalized Recommendations
 - Golf Mkwiring Diagram User Reviews and Ratings
 - Golf Mkwiring Diagram and Bestseller Lists
5. Accessing Golf Mkwiring Diagram Free and Paid eBooks
 - Golf Mkwiring Diagram Public Domain eBooks
 - Golf Mkwiring Diagram eBook Subscription Services
 - Golf Mkwiring Diagram Budget-Friendly Options

6. Navigating Golf Mkwiring Diagram eBook Formats
 - ePub, PDF, MOBI, and More
 - Golf Mkwiring Diagram Compatibility with Devices
 - Golf Mkwiring Diagram Enhanced eBook Features
7. Enhancing Your Reading Experience
 - Adjustable Fonts and Text Sizes of Golf Mkwiring Diagram
 - Highlighting and Note-Taking Golf Mkwiring Diagram
 - Interactive Elements Golf Mkwiring Diagram
8. Staying Engaged with Golf Mkwiring Diagram
 - Joining Online Reading Communities
 - Participating in Virtual Book Clubs
 - Following Authors and Publishers Golf Mkwiring Diagram
9. Balancing eBooks and Physical Books Golf Mkwiring Diagram
 - Benefits of a Digital Library
 - Creating a Diverse Reading Collection Golf Mkwiring Diagram
10. Overcoming Reading Challenges
 - Dealing with Digital Eye Strain
 - Minimizing Distractions
 - Managing Screen Time
11. Cultivating a Reading Routine Golf Mkwiring Diagram
 - Setting Reading Goals Golf Mkwiring Diagram
 - Carving Out Dedicated Reading Time
12. Sourcing Reliable Information of Golf Mkwiring Diagram
 - Fact-Checking eBook Content of Golf Mkwiring Diagram
 - Distinguishing Credible Sources
13. Promoting Lifelong Learning
 - Utilizing eBooks for Skill Development
 - Exploring Educational eBooks
14. Embracing eBook Trends
 - Integration of Multimedia Elements

- Interactive and Gamified eBooks

Golf Mkwiring Diagram Introduction

Golf Mkwiring Diagram Offers over 60,000 free eBooks, including many classics that are in the public domain. Open Library: Provides access to over 1 million free eBooks, including classic literature and contemporary works. Golf Mkwiring Diagram Offers a vast collection of books, some of which are available for free as PDF downloads, particularly older books in the public domain. Golf Mkwiring Diagram : This website hosts a vast collection of scientific articles, books, and textbooks. While it operates in a legal gray area due to copyright issues, its a popular resource for finding various publications. Internet Archive for Golf Mkwiring Diagram : Has an extensive collection of digital content, including books, articles, videos, and more. It has a massive library of free downloadable books. Free-eBooks Golf Mkwiring Diagram Offers a diverse range of free eBooks across various genres. Golf Mkwiring Diagram Focuses mainly on educational books, textbooks, and business books. It offers free PDF downloads for educational purposes. Golf Mkwiring Diagram Provides a large selection of free eBooks in different genres, which are available for download in various formats, including PDF. Finding specific Golf Mkwiring Diagram, especially related to Golf Mkwiring Diagram, might be challenging as theyre often artistic creations rather than practical blueprints. However, you can explore the following steps to search for or create your own Online Searches: Look for websites, forums, or blogs dedicated to Golf Mkwiring Diagram, Sometimes enthusiasts share their designs or concepts in PDF format. Books and Magazines Some Golf Mkwiring Diagram books or magazines might include. Look for these in online stores or libraries. Remember that while Golf Mkwiring Diagram, sharing copyrighted material without permission is not legal. Always ensure youre either creating your own or obtaining them from legitimate sources that allow sharing and downloading. Library Check if your local library offers eBook lending services. Many libraries have digital catalogs where you can borrow Golf Mkwiring Diagram eBooks for free, including popular titles. Online Retailers: Websites like Amazon, Google Books, or Apple Books often sell eBooks. Sometimes, authors or publishers offer promotions or free periods for certain books. Authors Website Occasionally, authors provide excerpts or short stories for free on their websites. While this might not be the Golf Mkwiring Diagram full book , it can give you a taste of the authors writing style. Subscription Services Platforms like Kindle Unlimited or Scribd offer subscription-based access to a wide range of Golf Mkwiring Diagram eBooks, including some popular titles.

FAQs About Golf Mkwiring Diagram Books

What is a Golf Mkwiring Diagram PDF? A PDF (Portable Document Format) is a file format developed by Adobe that

preserves the layout and formatting of a document, regardless of the software, hardware, or operating system used to view or print it. **How do I create a Golf Mkwiring Diagram PDF?** There are several ways to create a PDF: Use software like Adobe Acrobat, Microsoft Word, or Google Docs, which often have built-in PDF creation tools. Print to PDF: Many applications and operating systems have a "Print to PDF" option that allows you to save a document as a PDF file instead of printing it on paper. Online converters: There are various online tools that can convert different file types to PDF. **How do I edit a Golf Mkwiring Diagram PDF?** Editing a PDF can be done with software like Adobe Acrobat, which allows direct editing of text, images, and other elements within the PDF. Some free tools, like PDFescape or Smallpdf, also offer basic editing capabilities. **How do I convert a Golf Mkwiring Diagram PDF to another file format?** There are multiple ways to convert a PDF to another format: Use online converters like Smallpdf, Zamzar, or Adobe Acrobats export feature to convert PDFs to formats like Word, Excel, JPEG, etc. Software like Adobe Acrobat, Microsoft Word, or other PDF editors may have options to export or save PDFs in different formats. **How do I password-protect a Golf Mkwiring Diagram PDF?** Most PDF editing software allows you to add password protection. In Adobe Acrobat, for instance, you can go to "File" -> "Properties" -> "Security" to set a password to restrict access or editing capabilities. Are there any free alternatives to Adobe Acrobat for working with PDFs? Yes, there are many free alternatives for working with PDFs, such as: LibreOffice: Offers PDF editing features. PDFsam: Allows splitting, merging, and editing PDFs. Foxit Reader: Provides basic PDF viewing and editing capabilities. How do I compress a PDF file? You can use online tools like Smallpdf, ILovePDF, or desktop software like Adobe Acrobat to compress PDF files without significant quality loss. Compression reduces the file size, making it easier to share and download. Can I fill out forms in a PDF file? Yes, most PDF viewers/editors like Adobe Acrobat, Preview (on Mac), or various online tools allow you to fill out forms in PDF files by selecting text fields and entering information. Are there any restrictions when working with PDFs? Some PDFs might have restrictions set by their creator, such as password protection, editing restrictions, or print restrictions. Breaking these restrictions might require specific software or tools, which may or may not be legal depending on the circumstances and local laws.

Find Golf Mkwiring Diagram :

~~invaders text a time to remember series a time to remember series~~

~~[investing kit](#)~~

~~[investigation and prosecution of child abuse](#)~~

~~[inverse problems for ordinary differential equations dynamical solutions](#)~~

invariant subspaces

~~[iowa acceleration scale manual](#)~~

io-caterina-la-vita-di-una-donna-il-mistero-di-una-santa-le-scie

investment concepts analysis strategy

introductory circuit analysis by boylestad 10th edition experiments in circuit analysis lab manual

investment frontier new york businessmen and the economic development of the old northwest

invisible jewish magic picture

~~introductory statistics and elementary statistics~~

~~ion implantation in semiconductors silicon and germanium~~

invaluable mystery

ionospheric techniques phenomena

Golf Mkwiring Diagram :

Homelite Chainsaw Troubleshooting & Repair Find the most common problems that can cause a Homelite Chainsaw not to work - and the parts & instructions to fix them. Free repair advice! HOMELITE CHAINSAW WONT START - YouTube
Homelite Chainsaw won't start Here are the most common reasons your Homelite chainsaw isn't starting - and the parts & instructions to fix the problem yourself. Homelite XL (UT-10515B) Chainsaw Bar/Chain ... Aug 21, 2020 — I may need a more simplified method/video/document on how to troubleshoot the "duckbill" valve and/or general troubleshooting on the oiler - ...
Fixing a homelite chainsaw - YouTube Homelite Chainsaw Starts/Stops? Spark Arrestor #638514002 Homelite Chainsaw Disassembly - Chainsaw Repair Help How To Fix a Homelite chainsaw that won't start - YouTube Homelite Chainsaw Won't Start? Spark Plug Replacement #893 Pdf Essential Texts On International And European ... Jan 1, 2015 — Written by leading experts from inside and outside the Court and scholars from multiple disciplines, the essays combine theoretical inquiry ...
Essential texts on international and european criminal law 8th ... May 28, 2023 — 2015 by maklu. Read free Essential texts on international and european criminal law. 8th edition updated until 1 january. 2015 by maklu .pdf ... Essential Texts on International and European Criminal Law ... This volume comprises the principal policy documents and multilateral legal instruments on international and European criminal law, with a special focus on ... Essential Texts on International and European Criminal Law This book comprises the principal ... edition of essential texts on international and European criminal law. All texts have been updated until 13 January 2021. A Critical Introduction to International Criminal Law The book is suitable for students, academics and professionals from multiple fields wishing to understand contemporary theories, practices and critiques of ... Book orders 2015-17 - TED eTendering - European Union Essential Texts on International & European Criminal Law - 8th edition, Gert Vermeulen, Maklu, 978-9046607480. 144, Ethics for Police Translators and ... Essential Texts on International and European Criminal ... This volume comprises the principal policy documents and

multilateral legal instruments on international and European criminal law, with a special focus on ... Criminal Law - Open Textbook Library The book provides a basic introduction of criminal law, the US legal system and its constitutional protections before delving into traditional areas of ... The Routledge Handbook of Justice and ... EU Counter- terrorism Law. Oxford: Hart Publishing. Öberg, J. (2015). Subsidiarity and EU Procedural Criminal Law. *European Criminal Law Review*, 5(1), pp ... International Criminal Law by G Partin · Cited by 5 — This chapter provides information on the major electronic sources for researching international and transnational crime, as well as current ... USER MANUAL - SRV02 Rotary Servo Base Unit The Quanser SRV02 rotary servo plant, pictured in Figure 1.1, consists of a DC motor that is encased in a solid aluminum frame and equipped with a planetary ... SRV02 Position Control using QuaRC This laboratory guide contains pre-lab and in-lab exercises demonstrating how to design and implement a position controller on the Quanser SRV02 rotary ... Quanser SRV02 Workbook Jan 1, 2019 — Hakan Gurocak, Washington State University Vancouver, USA, for rewriting this manual to include embedded outcomes assessment. SRV02 Workbook - ... SRV02 User Manual SRV02 User Manual. 1. Presentation. 1.1. Description. The Quanser SRV02 rotary servo plant, pictured in Figure 1, consists of a DC motor that is encased in a. Quanser SRV02 Workbook Jan 1, 2019 — SRV02 Manual (Student).pdf. This laboratory guide contains pre-lab questions and lab experiments demonstrating how to model the Quanser. SRV02 ... SRV02 User Manual This module is designed to mount to a Quanser rotary servo plant (SRV02). The sensor shaft is aligned with the motor shaft. One end of a rigid link is mounted ... SRV02_Rotary Pendulum_User Manual.sxw The following table describes the typical setup using the complete Quanser solution. It is assumed that the ROTPEN is being used along with an SRV02, UPM and Q8 ... SRV02 Gyroscope User Manual The Quanser SRV02 and gyroscope system provides a great platform to study gyroscope properties along with control experiments that resemble real-life ... Rotary Servo Base Unit The Rotary Servo Base Unit is the fundamental element of the Quanser Rotary Control family. It is ideally suited to introduce basic control concepts and ... Control Systems Lab Solutions Quansers lab equipment for control systems are precise, robust, open architecture solutions for a wide range of teaching and research applications.