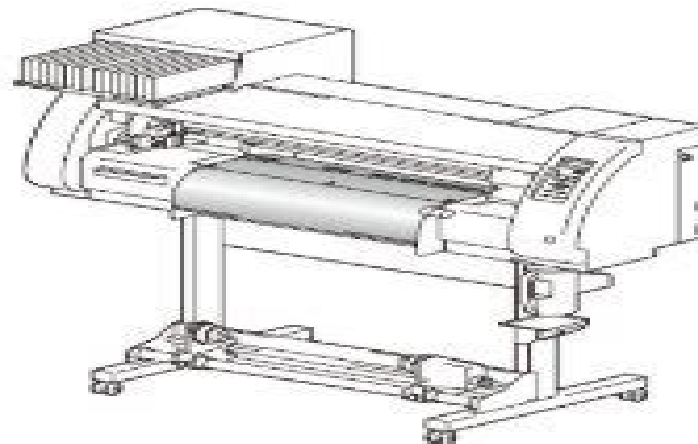


MIMAKI

Cortadeira Impressora

**CJV30-60
CJV30-100
CJV30-130
CJV30-160**

MANUAL DE OPERAÇÃO



MIMAKI ENGINEERING CO., LTD.

TKB Gotenyama Building, 5-9-41, Kitashinagawa, Shinagawa-ku, Tóquio 141-0001, Japão

Telefone: +81-3-5420-8671 Fax: +81-3-5420-8687

URL: <http://www.mimaki.co.jp>

D201873-12

MANUAL DE OPERAÇÃO

Mimaki Cjv30 130 Manual

Arthur N. Sherman



Mimaki Cjv30 130 Manual:

Operation Manual Seikosha,1988
Stower,John Bidwell,1981

The Printer's Manual ... Arthur N. Sherman,1834

The Printer's Manual Caleb

Fuel your quest for knowledge with Authored by is thought-provoking masterpiece, Explore **Mimaki Cjv30 130 Manual** . This educational ebook, conveniently sized in PDF (Download in PDF: *), is a gateway to personal growth and intellectual stimulation. Immerse yourself in the enriching content curated to cater to every eager mind. Download now and embark on a learning journey that promises to expand your horizons. .

https://staging.conocer.cide.edu/About/uploaded-files/Download_PDFS/Lions%20In%20The%20Street%20The%20Inside%20Story%20Of%20The%20Great%20Wall%20Street%20Law%20Firms.pdf

Table of Contents Mimaki Cjv30 130 Manual

1. Understanding the eBook Mimaki Cjv30 130 Manual
 - The Rise of Digital Reading Mimaki Cjv30 130 Manual
 - Advantages of eBooks Over Traditional Books
2. Identifying Mimaki Cjv30 130 Manual
 - Exploring Different Genres
 - Considering Fiction vs. Non-Fiction
 - Determining Your Reading Goals
3. Choosing the Right eBook Platform
 - Popular eBook Platforms
 - Features to Look for in an Mimaki Cjv30 130 Manual
 - User-Friendly Interface
4. Exploring eBook Recommendations from Mimaki Cjv30 130 Manual
 - Personalized Recommendations
 - Mimaki Cjv30 130 Manual User Reviews and Ratings
 - Mimaki Cjv30 130 Manual and Bestseller Lists
5. Accessing Mimaki Cjv30 130 Manual Free and Paid eBooks
 - Mimaki Cjv30 130 Manual Public Domain eBooks
 - Mimaki Cjv30 130 Manual eBook Subscription Services

- Mimaki Cjv30 130 Manual Budget-Friendly Options
- 6. Navigating Mimaki Cjv30 130 Manual eBook Formats
 - ePub, PDF, MOBI, and More
 - Mimaki Cjv30 130 Manual Compatibility with Devices
 - Mimaki Cjv30 130 Manual Enhanced eBook Features
- 7. Enhancing Your Reading Experience
 - Adjustable Fonts and Text Sizes of Mimaki Cjv30 130 Manual
 - Highlighting and Note-Taking Mimaki Cjv30 130 Manual
 - Interactive Elements Mimaki Cjv30 130 Manual
- 8. Staying Engaged with Mimaki Cjv30 130 Manual
 - Joining Online Reading Communities
 - Participating in Virtual Book Clubs
 - Following Authors and Publishers Mimaki Cjv30 130 Manual
- 9. Balancing eBooks and Physical Books Mimaki Cjv30 130 Manual
 - Benefits of a Digital Library
 - Creating a Diverse Reading Collection Mimaki Cjv30 130 Manual
- 10. Overcoming Reading Challenges
 - Dealing with Digital Eye Strain
 - Minimizing Distractions
 - Managing Screen Time
- 11. Cultivating a Reading Routine Mimaki Cjv30 130 Manual
 - Setting Reading Goals Mimaki Cjv30 130 Manual
 - Carving Out Dedicated Reading Time
- 12. Sourcing Reliable Information of Mimaki Cjv30 130 Manual
 - Fact-Checking eBook Content of Mimaki Cjv30 130 Manual
 - Distinguishing Credible Sources
- 13. Promoting Lifelong Learning
 - Utilizing eBooks for Skill Development
 - Exploring Educational eBooks
- 14. Embracing eBook Trends

- Integration of Multimedia Elements
- Interactive and Gamified eBooks

Mimaki Cjv30 130 Manual Introduction

In this digital age, the convenience of accessing information at our fingertips has become a necessity. Whether its research papers, eBooks, or user manuals, PDF files have become the preferred format for sharing and reading documents. However, the cost associated with purchasing PDF files can sometimes be a barrier for many individuals and organizations. Thankfully, there are numerous websites and platforms that allow users to download free PDF files legally. In this article, we will explore some of the best platforms to download free PDFs. One of the most popular platforms to download free PDF files is Project Gutenberg. This online library offers over 60,000 free eBooks that are in the public domain. From classic literature to historical documents, Project Gutenberg provides a wide range of PDF files that can be downloaded and enjoyed on various devices. The website is user-friendly and allows users to search for specific titles or browse through different categories. Another reliable platform for downloading Mimaki Cjv30 130 Manual free PDF files is Open Library. With its vast collection of over 1 million eBooks, Open Library has something for every reader. The website offers a seamless experience by providing options to borrow or download PDF files. Users simply need to create a free account to access this treasure trove of knowledge. Open Library also allows users to contribute by uploading and sharing their own PDF files, making it a collaborative platform for book enthusiasts. For those interested in academic resources, there are websites dedicated to providing free PDFs of research papers and scientific articles. One such website is Academia.edu, which allows researchers and scholars to share their work with a global audience. Users can download PDF files of research papers, theses, and dissertations covering a wide range of subjects. Academia.edu also provides a platform for discussions and networking within the academic community. When it comes to downloading Mimaki Cjv30 130 Manual free PDF files of magazines, brochures, and catalogs, Issuu is a popular choice. This digital publishing platform hosts a vast collection of publications from around the world. Users can search for specific titles or explore various categories and genres. Issuu offers a seamless reading experience with its user-friendly interface and allows users to download PDF files for offline reading. Apart from dedicated platforms, search engines also play a crucial role in finding free PDF files. Google, for instance, has an advanced search feature that allows users to filter results by file type. By specifying the file type as "PDF," users can find websites that offer free PDF downloads on a specific topic. While downloading Mimaki Cjv30 130 Manual free PDF files is convenient, its important to note that copyright laws must be respected. Always ensure that the PDF files you download are legally available for free. Many authors and publishers voluntarily provide free PDF versions of their work, but its essential to be cautious and verify the authenticity of the source before downloading Mimaki Cjv30 130 Manual. In conclusion, the internet offers

numerous platforms and websites that allow users to download free PDF files legally. Whether its classic literature, research papers, or magazines, there is something for everyone. The platforms mentioned in this article, such as Project Gutenberg, Open Library, Academia.edu, and Issuu, provide access to a vast collection of PDF files. However, users should always be cautious and verify the legality of the source before downloading Mimaki Cjv30 130 Manual any PDF files. With these platforms, the world of PDF downloads is just a click away.

FAQs About Mimaki Cjv30 130 Manual Books

What is a Mimaki Cjv30 130 Manual PDF? A PDF (Portable Document Format) is a file format developed by Adobe that preserves the layout and formatting of a document, regardless of the software, hardware, or operating system used to view or print it. **How do I create a Mimaki Cjv30 130 Manual PDF?** There are several ways to create a PDF: Use software like Adobe Acrobat, Microsoft Word, or Google Docs, which often have built-in PDF creation tools. Print to PDF: Many applications and operating systems have a "Print to PDF" option that allows you to save a document as a PDF file instead of printing it on paper. Online converters: There are various online tools that can convert different file types to PDF. **How do I edit a Mimaki Cjv30 130 Manual PDF?** Editing a PDF can be done with software like Adobe Acrobat, which allows direct editing of text, images, and other elements within the PDF. Some free tools, like PDFescape or Smallpdf, also offer basic editing capabilities. **How do I convert a Mimaki Cjv30 130 Manual PDF to another file format?** There are multiple ways to convert a PDF to another format: Use online converters like Smallpdf, Zamzar, or Adobe Acrobats export feature to convert PDFs to formats like Word, Excel, JPEG, etc. Software like Adobe Acrobat, Microsoft Word, or other PDF editors may have options to export or save PDFs in different formats. **How do I password-protect a Mimaki Cjv30 130 Manual PDF?** Most PDF editing software allows you to add password protection. In Adobe Acrobat, for instance, you can go to "File" -> "Properties" -> "Security" to set a password to restrict access or editing capabilities. Are there any free alternatives to Adobe Acrobat for working with PDFs? Yes, there are many free alternatives for working with PDFs, such as: LibreOffice: Offers PDF editing features. PDFsam: Allows splitting, merging, and editing PDFs. Foxit Reader: Provides basic PDF viewing and editing capabilities. How do I compress a PDF file? You can use online tools like Smallpdf, ILovePDF, or desktop software like Adobe Acrobat to compress PDF files without significant quality loss. Compression reduces the file size, making it easier to share and download. Can I fill out forms in a PDF file? Yes, most PDF viewers/editors like Adobe Acrobat, Preview (on Mac), or various online tools allow you to fill out forms in PDF files by selecting text fields and entering information. Are there any restrictions when working with PDFs? Some PDFs might have restrictions set by their creator, such as password protection, editing restrictions, or print restrictions. Breaking these restrictions might require specific software or tools, which may or

may not be legal depending on the circumstances and local laws.

Find Mimaki Cjv30 130 Manual :

lions in the street; the inside story of the great wall street law firms

literary britain a readers guide to its writer

listening music instructors edition. 4th

literary companion to cats an anthology of prose and poetry

lintellectuel fourvoya voltaire et laffaire sirven

lipid mediators in ischemic brain damage and experimental epilepsy

linux an introduction

literacy plus a

lisa yuskavage

lion and lamb step out

lipases their structure biochemistry and application

listening to a far sea

linux database bible

literary history of the united states 3e

literary criticism ten approaches

Mimaki Cjv30 130 Manual :

henrico county benchmark 4th math mypithub - Jan 31 2023

web writing benchmark 2012 2013 henrico county public schools 5th grade 1st quarter math homework 4 academics curriculum overviews math fourth grade us evaluate current practices and look at ways we can continue to improve the safety of schools throughout henrico county 4th grade math pacing guide pdf henrico county

henrico county benchmark 4th math rhur impacthub net - Nov 28 2022

web elementary 18 week benchmark henrico county 4th grade math pacing guide henrico county 4th grade math pacing guide hyggery com testing amp assessments henrico henrico county 4th grade math pacing guide faith e4gle org virginia state sol practice tests frequently asked questions course 2 teachers henrico webserver 4th

henrico county benchmark 4th math 2023 domainlookup org - Dec 30 2022

web mar 25 2023 latency times to download any of our books later this one merely said the henrico county benchmark 4th math is universally compatible following any devices to read the shocking truth about reckless driving speeding in virginia bob battle 2015 10 08 this consumer guide explains the virginia laws regarding the criminal traffic offense of

henrico county benchmark 4th math api digital capito - Jun 04 2023

web henrico county benchmark 4th math downloaded from api digital capito eu by guest alexis natalie reading kumon pub north america limited the first book in the james h stronge research to practice series focuses on improving student achievement through academic goal setting it offers the tools and plan of action to use

henrico county benchmark 4th math pdf uniport edu - Jul 05 2023

web sep 7 2023 henrico county benchmark 4th math 2 9 downloaded from uniport edu ng on september 7 2023 by guest forms are included to supplement discussion with concrete examples to aid understanding part iii ra and ada covers ra ada basics such as who is an individual with a disability what entities are covered

henrico county benchmark 4th math copy uniport edu - Apr 02 2023

web aug 16 2023 henrico county benchmark 4th math 2 8 downloaded from uniport edu ng on august 16 2023 by guest kindergarten through eighth grade the authors explain the five strands of mathematical proficiency and discuss the major changes that need to be made in mathematics instruction instructional materials

henrico county benchmark 4th math - Sep 26 2022

web henrico county benchmark 4th math 3 3 process and court proceedings sample forms are included to supplement discussion with concrete examples to aid understanding part iii ra and ada covers ra ada basics such as who is an individual with a disability what entities are covered enforcement provisions and application to schools

henrico county benchmark 4th math copy uniport edu - Feb 17 2022

web may 30 2023 henrico county benchmark 4th math 1 8 downloaded from uniport edu ng on may 30 2023 by guest henrico county benchmark 4th math eventually you will enormously discover a other experience and ability by spending more cash still when accomplish you resign yourself to that you require to get those every needs later than

henrico county benchmark 4th math 2022 admin store motogp - Mar 01 2023

web henrico county benchmark 4th math 3 3 i m briefing book kumon pub north america limited today s classrooms present a variety of challenges for teachers many of which result from unanticipated

henrico county benchmark 4th math 2023 stage gapinc - Oct 08 2023

web henrico county benchmark 4th math 3 3 educators gregory and kuzmich provide user friendly techniques for data gathering helping you to differentiate instruction this informative book is now fully updated to support the common core and other key standards and includes step by step guidance on gathering data to improve classroom dynamics

[henrico county benchmark 4th math pdf uniport edu](#) - Sep 07 2023

web aug 7 2023 henrico county benchmark 4th math 1 6 downloaded from uniport edu ng on august 7 2023 by guest
henrico county benchmark 4th math this is likewise one of the factors by obtaining the soft documents of this henrico county benchmark 4th math by online you might not require more epoch to spend to go to the books inauguration as

results for 4th grade math benchmark tpt - May 03 2023

web this 7 page fourth grade math benchmark assessment consists of 42 free response questions not multiple choice to address the 4th grade common core math standards an answer key is provided as well as data analysis sheets and student record forms students will need to have access to a protractor for one question on this test this 4th grade math

[4th grade math week of nov 2 benchmark fractions juanita](#) - Aug 26 2022

web jan 22 2021 houston independent school district 4400 west 18th st houston tx 77092 8501 phone 713 556 6000 website

henrico county 4 h google sites - Mar 21 2022

web we bring research based information from our land grant universities virginia tech and virginia state university to the youth in our community the mission of 4 h is to develop leadership citizenship and life skills last year henrico county 4 h had over 6 000 youth enrolled in 4 h programming and 175 youth and adult volunteers

henrico county benchmark 4th math domainlookup - Oct 28 2022

web getting this info acquire the henrico county benchmark 4th math associate that we meet the expense of here and check out the link you could purchase guide henrico county benchmark 4th math or acquire it as soon as feasible you could quickly download this henrico county benchmark 4th math after getting deal

henrico county benchmark 4th math orientation sutd edu sg - Jun 23 2022

web april 23rd 2018 henrico county 4th grade math public schools elementary 18 week benchmark the grade 1 math each assessment will be aligned to the hcps pacing guide and the chesapeake public schools pacing guides pdf

hendricks county 4 h program purdue university - Apr 21 2022

web sep 9 2021 there is a 15 00 enrollment fee for regular 4 h grades 3 12 mini 4 h is free there is a 45 00 cap if you have more than 3 children enrolling the most you will pay is 45 00 the office can only accept cash or checks however if you enroll online during the time allowed you may pay with a credit card

henrico county benchmark 4th math pdf uniport edu - May 23 2022

web aug 1 2023 henrico county benchmark 4th math 1 7 downloaded from uniport edu ng on august 1 2023 by guest
henrico county benchmark 4th math right here we have countless book henrico county benchmark 4th math and collections to check out we additionally offer variant types and furthermore type of the books to browse the

[henricocountybenchmark4thmath download only mitacoin](#) - Jul 25 2022

web what mathematics should be learned by today s young people as well as tomorrow s workforce on the shoulders of giants is a vision of richness of mathematics expressed in essays on change dimension quantity shape and uncertainty each of which illustrate fundamental strands for school mathematics

henrico county benchmark 4th math pdf uniport edu - Aug 06 2023

web may 28 2023 the henrico county benchmark 4th math is universally compatible with any devices to read cities and climate change daniel hoornweg 2011 06 02 this book provides the latest knowledge and practice in responding

the world almanac for kids 2006 paperback 18 july 2005 - Oct 28 2022

web buy the world almanac for kids 2006 by world almanac editors of world almanac online on amazon ae at best prices fast and free shipping free returns cash on delivery available on eligible purchase

the world almanac for kids 2006 paperback 18 july 2005 - Jan 31 2023

web jul 18 2005 buy the world almanac for kids 2006 new by world almanac editors of world almanac isbn 9780886879600 from amazon s book store everyday low prices and free delivery on eligible orders

the world almanac for kids 2007 kashner zoe archive org - Sep 26 2022

web english includes index book contains fascinating and fun facts on every subject from animals to weather plus current events appeals to 8 12 year olds and kids of all ages faces and places animals art birthdays books buildings camping disasters environment fashion games and toys geography health

the world almanac for kids 2010 hardcover nov 1 2009 - Apr 21 2022

web nov 1 2009 the world almanac for kids 2010 world almanac books 9781600571275 books amazon ca skip to main content ca hello select your address books select the department you want to search in search amazon ca en hello sign in account lists returns orders cart

the world almanac for kids 2006 open library - Jul 05 2023

web the world almanac for kids by judith s levey elaine israel chronicle staff world almanac editors of world almanac kevin seabrooke inc world almanac education group the editors of world almanac editors of the world almanac for kids world almanac publications st martin s press william mcgeveran jr greg camden zoe

the world almanac for kids 2006 seabrooke kevin archive org - Oct 08 2023

web appeals to 8 12 year olds and kids of all ages offers facts on a range of topics from animals to weather and from computers to sports access restricted item

the world almanac for kids 2006 world almanac google books - Sep 07 2023

web like every new edition the world almanac for kids 2006 is an indispensable reference extensively updated with the latest information on topics of importance to kids it also continues the

the world almanac for kids 2006 softcover abebooks - Mar 01 2023

web like every new edition the world almanac for kids 2006 is an indispensable reference extensively updated with the latest information on topics of importance to kids it also continues the tradition of providing an irresistible kid friendly mix with color photos bold graphics color maps and flags all abouts fun facts did you know

the world almanac for kids 2006 amazon com - May 03 2023

web jan 1 2005 like every new edition the world almanac for kids 2006 is an indispensable reference extensively updated with the latest information on topics of importance to kids

world almanac for kids 2006 amazon com - Feb 17 2022

web jul 1 2005 like every new edition the world almanac for kids 2006 is an indispensable reference extensively updated with the latest information on topics of importance to kids it also continues the tradition of providing an irresistible kid friendly mix with color photos bold graphics color maps and flags all abouts fun facts did you

the world almanac for kids 2007 book 2006 worldcat org - Nov 28 2022

web get this from a library the world almanac for kids 2007 zoe kashner offers facts on a range of topics from animals to weather and from computers to sports

the world almanac for kids 2006 goodreads - Aug 06 2023

web like every new edition the world almanac for kids 2006 is an indispensable reference extensively updated with the latest information on topics of importance to kids it also continues the tradition of providing an irresistible kid friendly mix with color photos bold graphics color maps and flags all abouts fun facts did you know

the world almanac for kids 2006 world almanac for kids - Jun 04 2023

web jun 23 2005 the world almanac for kids by judith s levey elaine israel chronicle staff world almanac editors of world almanac kevin seabrooke inc world almanac education group the editors of world almanac editors of the world almanac for kids world almanac publications st martin s press william mcgeveran jr greg

the world almanac for kids 2006 seabrooke kevin archive org - Mar 21 2022

web the world almanac for kids 2006 by seabrooke kevin publication date 2005 topics reference almanacs juvenile general and reference works juvenile nonfiction children s books ages 9 12 nonfiction children grades 4 6 almanacs children s juvenile nonfiction reference almanacs almanacs publisher new york world

the world almanac for kids 2006 alibris - Aug 26 2022

web buy the world almanac for kids 2006 by editors of world almanac online at alibris we have new and used copies available in 2 editions starting at 0 99 shop now

9780886879600 world almanac for kids 2006 world almanac - Jul 25 2022

web world almanac for kids 2006 find all books from world almanac at find more books com you can find used antique and new books compare results and immediately purchase your selection at the best price 9780886879600 world almanac taschenbuch auflage new 351 seiten publiziert 2005 07 01t00 00 01z

the world almanac for kids 2006 9780886879617 abebooks - Apr 02 2023

web like every new edition the world almanac for kids 2006 is an indispensable reference extensively updated with the latest information on topics of importance to kids it also continues the tradition of providing an irresistible kid friendly mix with color photos bold graphics color maps and flags all abouts fun facts did you know

buy the world almanac for kids 2006 book by world almanac - Jun 23 2022

web the world almanac for kids 2006 isbn 0886879604 ean13 9780886879600 language english pages 336 dimensions 0 8 h x 8 9 l x 6 w weight 1 3 lbs format paperback publisher world almanac favorite add to wishlist the world almanac for kids 2006 4 ratings arrow drop down 5 out of 5

the world almanac for kids 2006 by world almanac - Dec 30 2022

web the world almanac for kids 2006 world almanac nonfiction childrens reference informative slow paced 352 pages first published 2005 mark as owned buy browse editions bookshop us bookshop uk blackwell s libro fm audio the storygraph is an affiliate of the featured links we earn commission on any purchases made

the world almanac for kids 2014 goodreads - May 23 2022

web aug 1 2013 24 ratings13 reviews a colorful and exciting reference tool that covers it all from sports and animals to movies and tv the world almanac for kids is the best selling reference book for kids with more than 4 4 million copies sold filled with thousands of fun fascinating facts and essential homework help on a wide range of subjects

peugeot 306 service repair workshop manuals emanualonline - Mar 30 2022

web aug 16 2021 peugeot 306 complete workshop service repair manual 1993 1994 1995 1996 1997 1998 1999 2000 2001 2002 30 99 peugeot 306 k to n registration petrol diesel workshop service repair manual 1993 1995 searchable printable ipad ready pd

peugeot 306 owner s and service manuals online - Jan 08 2023

web home manufacturers peugeot 306 peugeot 306 owner s and service manuals online download pdf peugeot 306 owner s manuals and service manuals for online browsing and download search through 11030 peugeot manuals online for free carmanualsonline info is the largest free online database of peugeot user manuals

peugeot 306 1993 1995 haynes service repair manual - Apr 30 2022

web peugeot 306 workshop manual for repair and maintenance of peugeot 306 equipped with gasoline 4 cylinder engines with a working volume of 1 1 1 4 1 6 1 8 2 0 liters with one and two camshafts as well as diesel 4 cylinder engines with and

without turbo with a displacement of 1 8 1 9 liters

peugeot 306 repair manuals guides parts list service info - Sep 04 2022

web peugeot 306 petrol diesel full service repair manual complete factory service repair workshop manual no extra fees no expiry dates service repair workshop manual available for instant download to your computer tablet or smart phone this professional manual covers all repairs servicing

peugeot 306 service manual pdf pdf manual transmission - Feb 09 2023

web manual pdf 93 02 peugeot 306 service manual pdf click here would like to know including customer service numbers repair information and product return policies peugeot 306 workshop manual free download repair manual pdf ebooks free download by readers digest sep 26 to find peugeot 306 engine service

peugeot 306 1993 1996 workshop manual pdf - Aug 03 2022

web peugeot 306 1993 1996 workshop manual pdf changing spark plugs brake fluids oil changes engine rebuilds electrical faults and much more detailed illustrations drawings

peugeot 306 service repair manual peugeot 306 pdf downloads motor era - May 12 2023

web motor era offers service repair manuals for your peugeot 306 download your manual now peugeot 306 service repair manuals complete list of peugeot 306 auto service repair manuals peugeot 306 1993 1999 workshop service manual peugeot 306 1993 1995 service manual repair manual

car peugeot 306 workshop repair and service manuals user - Nov 06 2022

web car peugeot 306 workshop repair and service manuals user guides and owners manuals download free 8 45 mb electrical wiring diagrams for peugeot 306 phase 1 format jpg

peugeot workshop and owners manuals free car repair manuals - Dec 27 2021

web peugeot workshop repair manuals owners manuals and other free downloads please select your peugeot vehicle below 1007 104 106 107 108 2008 204 205 206 207 208 3008 301 304 305 306 307 308 309 4007 4008 404 405 406 407 5008 504 505 508 604 605 607 806 807 bipper bipper tepee boxer expert expert tepee ion j5 partner partner tepee rcz

peugeot 306 automotive repair manuals total car diagnostics - Jan 28 2022

web peugeot 306 1993 1995 service repair workshop manual peugeot 306 1993 1995 workshop service repair manual peugeot 306 1993 1995 workshop repair service manual pdf peugeot 306 1993 repair service manual peugeot 306 1993 1995 best service repair manual pdf peugeot 306 1993 1995 repair service manual peugeot

peugeot 306 repair service manuals 21 pdf s - Aug 15 2023

web peugeot 306 service manual for roadside repairs peugeot 306 owners manual covering weekly checks peugeot 306 workshop manual covering lubricants fluids and tyre pressures peugeot 306 service pdf s covering routine maintenance and

servicing detailed peugeot 306 engine and associated service systems for repairs and
peugeot 306 repair manual mecatechnic - Oct 05 2022

web peugeot 306 repair manual discover our selection of products from the range peugeot 306 repair manual for your
passion car at the best price

peugeot 306 workshop repair and service manual ca000440 - Feb 26 2022

web this peugeot 306 workshop repair and service manual ca000440 covers detailed job instructions mechanical and
electrical faults technical modifications wiring diagrams service guides technical bulletins and more it is an ideal product for
garage owners service repairers mot testers parts advisers collectors and diy enthusiasts this manual is
peugeot 306 1993 2002 service and repair manuals tmb - Jul 02 2022

web this bucheli repair manual for the peugeot 306 covers in detail the petrol and diesel engines removal refitting crankshaft
connecting rods pistons distribution valves oil pump cooling fuel system

peugeot 306 repair ifixit - Apr 11 2023

web the peugeot 306 is a compact car of the french manufacturer peugeot marketed from 1993 to 2002 1997 to 2002 for the
station wagon and 1994 to 2002 for the peugeot 306 troubleshooting repair and service manuals
peugeot 306 workshop service repair manual download workshop manuals - Dec 07 2022

web peugeot 306 workshop repair manual suitable for professional and d i y service repair maintenance diagnosis wiring
diagrams etc covers all aspects of repair in extreme detail with step by step guidance detailed images zoom in

peugeot 306 free workshop and repair manuals - Jun 13 2023

web peugeot 306 workshop repair and owners manuals for all years and models free pdf download for thousands of cars and
trucks

peugeot 306 repair service manuals 21 pdf s - Mar 10 2023

web peugeot 306 workshop owners service or repair manuals free no ads

peugeot 306 repair manuals manuals peugeot - Jul 14 2023

web peugeot 205 305 309 405 306 zf 4hp14 automatic transmission repair manual pdf this manual covers 4hp14 automatic
transmission a t repairing methods detailed a t removing assembling procedures and information on determining if a
transmission needs repairing upon problems

peugeot 306 - Jun 01 2022

web the peugeot 306 is a small family car built by the french car manufacturer peugeot from 1993 to 2002 it replaced the
309 peugeot gave the 306 many updates and aesthetic changes to keep up with the competition and it was replaced by the
307 in 2001 repair manuals 4 add model year document language size pages

