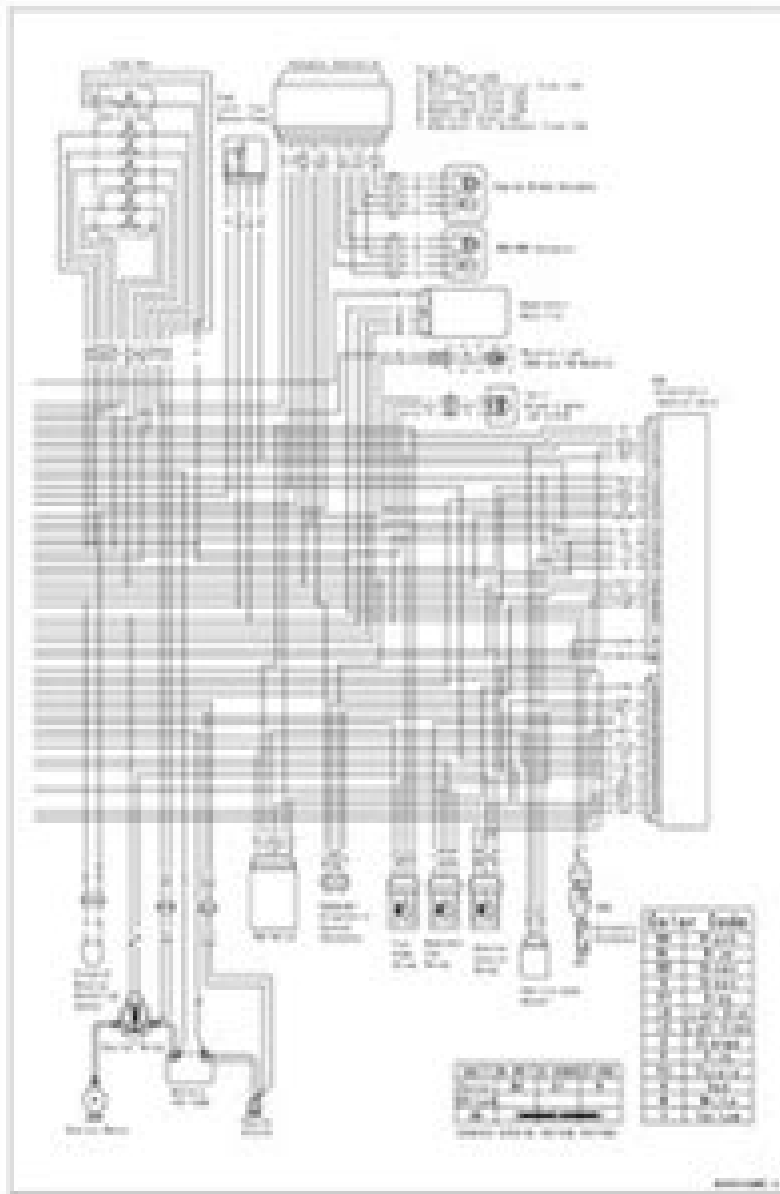


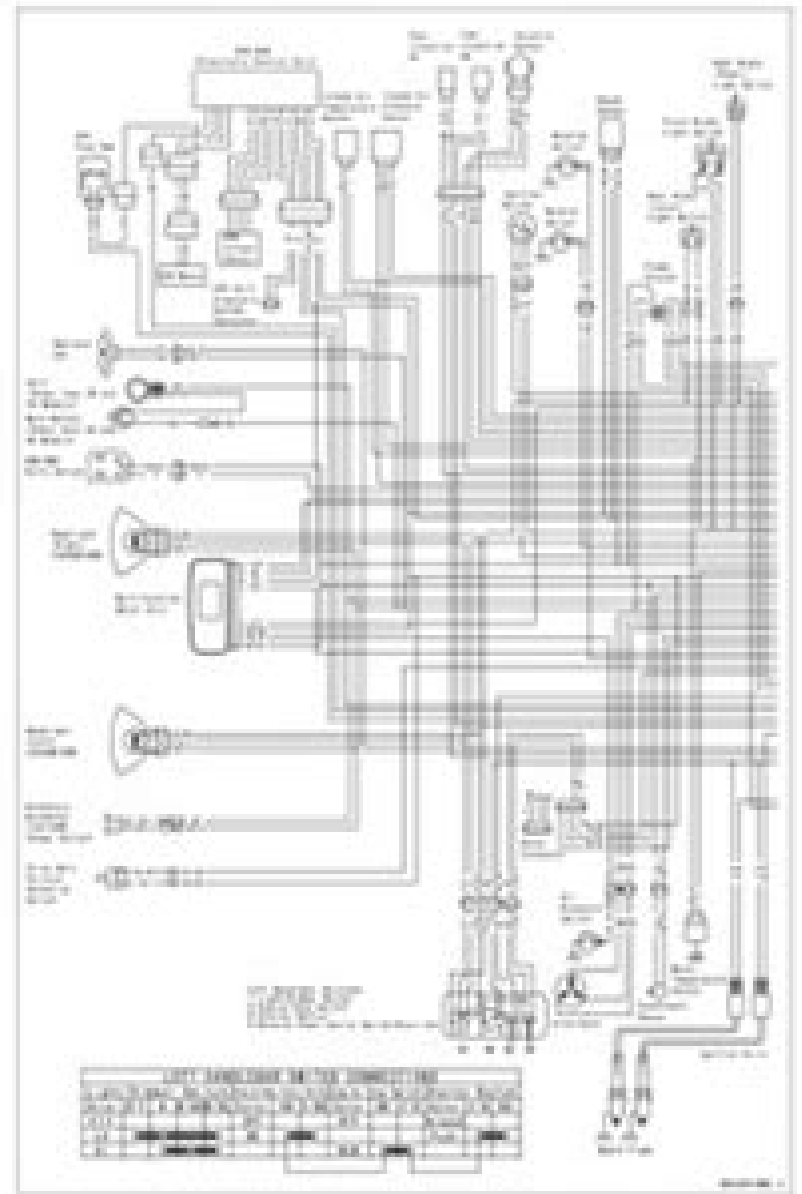
### ELECTRICAL SYSTEM 16-17

Wiring Diagram (RVF7500C - GEHC - HEJC - JE)



### 16-18 ELECTRICAL SYSTEM

Wiring Diagram (RVF7500FHFJF)



# Kawasaki Brute Force 2015 Manual

**Clemens Wendtner**



## **Kawasaki Brute Force 2015 Manual:**

This book delves into Kawasaki Brute Force 2015 Manual. Kawasaki Brute Force 2015 Manual is an essential topic that must be grasped by everyone, from students and scholars to the general public. The book will furnish comprehensive and in-depth insights into Kawasaki Brute Force 2015 Manual, encompassing both the fundamentals and more intricate discussions.

1. This book is structured into several chapters, namely:
    - Chapter 1: Introduction to Kawasaki Brute Force 2015 Manual
    - Chapter 2: Essential Elements of Kawasaki Brute Force 2015 Manual
    - Chapter 3: Kawasaki Brute Force 2015 Manual in Everyday Life
    - Chapter 4: Kawasaki Brute Force 2015 Manual in Specific Contexts
    - Chapter 5: Conclusion
  2. In chapter 1, the author will provide an overview of Kawasaki Brute Force 2015 Manual. This chapter will explore what Kawasaki Brute Force 2015 Manual is, why Kawasaki Brute Force 2015 Manual is vital, and how to effectively learn about Kawasaki Brute Force 2015 Manual.
  3. In chapter 2, this book will delve into the foundational concepts of Kawasaki Brute Force 2015 Manual. The second chapter will elucidate the essential principles that need to be understood to grasp Kawasaki Brute Force 2015 Manual in its entirety.
  4. In chapter 3, the author will examine the practical applications of Kawasaki Brute Force 2015 Manual in daily life. This chapter will showcase real-world examples of how Kawasaki Brute Force 2015 Manual can be effectively utilized in everyday scenarios.
  5. In chapter 4, the author will scrutinize the relevance of Kawasaki Brute Force 2015 Manual in specific contexts. The fourth chapter will explore how Kawasaki Brute Force 2015 Manual is applied in specialized fields, such as education, business, and technology.
  6. In chapter 5, the author will draw a conclusion about Kawasaki Brute Force 2015 Manual. This chapter will summarize the key points that have been discussed throughout the book.
- This book is crafted in an easy-to-understand language and is complemented by engaging illustrations. This book is highly recommended for anyone seeking to gain a comprehensive understanding of Kawasaki Brute Force 2015 Manual.

[https://staging.conocer.cide.edu/book/browse/Documents/Nadaac\\_Certification\\_Exam\\_Sample\\_Study\\_Guide.pdf](https://staging.conocer.cide.edu/book/browse/Documents/Nadaac_Certification_Exam_Sample_Study_Guide.pdf)

## **Table of Contents Kawasaki Brute Force 2015 Manual**

1. Understanding the eBook Kawasaki Brute Force 2015 Manual
  - The Rise of Digital Reading Kawasaki Brute Force 2015 Manual
  - Advantages of eBooks Over Traditional Books
2. Identifying Kawasaki Brute Force 2015 Manual
  - Exploring Different Genres
  - Considering Fiction vs. Non-Fiction
  - Determining Your Reading Goals
3. Choosing the Right eBook Platform
  - Popular eBook Platforms
  - Features to Look for in an Kawasaki Brute Force 2015 Manual
  - User-Friendly Interface
4. Exploring eBook Recommendations from Kawasaki Brute Force 2015 Manual
  - Personalized Recommendations
  - Kawasaki Brute Force 2015 Manual User Reviews and Ratings
  - Kawasaki Brute Force 2015 Manual and Bestseller Lists
5. Accessing Kawasaki Brute Force 2015 Manual Free and Paid eBooks
  - Kawasaki Brute Force 2015 Manual Public Domain eBooks
  - Kawasaki Brute Force 2015 Manual eBook Subscription Services
  - Kawasaki Brute Force 2015 Manual Budget-Friendly Options
6. Navigating Kawasaki Brute Force 2015 Manual eBook Formats
  - ePub, PDF, MOBI, and More
  - Kawasaki Brute Force 2015 Manual Compatibility with Devices
  - Kawasaki Brute Force 2015 Manual Enhanced eBook Features
7. Enhancing Your Reading Experience
  - Adjustable Fonts and Text Sizes of Kawasaki Brute Force 2015 Manual
  - Highlighting and Note-Taking Kawasaki Brute Force 2015 Manual
  - Interactive Elements Kawasaki Brute Force 2015 Manual
8. Staying Engaged with Kawasaki Brute Force 2015 Manual

- Joining Online Reading Communities
  - Participating in Virtual Book Clubs
  - Following Authors and Publishers Kawasaki Brute Force 2015 Manual
9. Balancing eBooks and Physical Books Kawasaki Brute Force 2015 Manual
- Benefits of a Digital Library
  - Creating a Diverse Reading Collection Kawasaki Brute Force 2015 Manual
10. Overcoming Reading Challenges
- Dealing with Digital Eye Strain
  - Minimizing Distractions
  - Managing Screen Time
11. Cultivating a Reading Routine Kawasaki Brute Force 2015 Manual
- Setting Reading Goals Kawasaki Brute Force 2015 Manual
  - Carving Out Dedicated Reading Time
12. Sourcing Reliable Information of Kawasaki Brute Force 2015 Manual
- Fact-Checking eBook Content of Kawasaki Brute Force 2015 Manual
  - Distinguishing Credible Sources
13. Promoting Lifelong Learning
- Utilizing eBooks for Skill Development
  - Exploring Educational eBooks
14. Embracing eBook Trends
- Integration of Multimedia Elements
  - Interactive and Gamified eBooks

### **Kawasaki Brute Force 2015 Manual Introduction**

Free PDF Books and Manuals for Download: Unlocking Knowledge at Your Fingertips In today's fast-paced digital age, obtaining valuable knowledge has become easier than ever. Thanks to the internet, a vast array of books and manuals are now available for free download in PDF format. Whether you are a student, professional, or simply an avid reader, this treasure trove of downloadable resources offers a wealth of information, conveniently accessible anytime, anywhere. The advent of online libraries and platforms dedicated to sharing knowledge has revolutionized the way we consume information. No longer confined to physical libraries or bookstores, readers can now access an extensive collection of digital books and

manuals with just a few clicks. These resources, available in PDF, Microsoft Word, and PowerPoint formats, cater to a wide range of interests, including literature, technology, science, history, and much more. One notable platform where you can explore and download free Kawasaki Brute Force 2015 Manual PDF books and manuals is the internet's largest free library. Hosted online, this catalog compiles a vast assortment of documents, making it a veritable goldmine of knowledge. With its easy-to-use website interface and customizable PDF generator, this platform offers a user-friendly experience, allowing individuals to effortlessly navigate and access the information they seek. The availability of free PDF books and manuals on this platform demonstrates its commitment to democratizing education and empowering individuals with the tools needed to succeed in their chosen fields. It allows anyone, regardless of their background or financial limitations, to expand their horizons and gain insights from experts in various disciplines. One of the most significant advantages of downloading PDF books and manuals lies in their portability. Unlike physical copies, digital books can be stored and carried on a single device, such as a tablet or smartphone, saving valuable space and weight. This convenience makes it possible for readers to have their entire library at their fingertips, whether they are commuting, traveling, or simply enjoying a lazy afternoon at home. Additionally, digital files are easily searchable, enabling readers to locate specific information within seconds. With a few keystrokes, users can search for keywords, topics, or phrases, making research and finding relevant information a breeze. This efficiency saves time and effort, streamlining the learning process and allowing individuals to focus on extracting the information they need. Furthermore, the availability of free PDF books and manuals fosters a culture of continuous learning. By removing financial barriers, more people can access educational resources and pursue lifelong learning, contributing to personal growth and professional development. This democratization of knowledge promotes intellectual curiosity and empowers individuals to become lifelong learners, promoting progress and innovation in various fields. It is worth noting that while accessing free Kawasaki Brute Force 2015 Manual PDF books and manuals is convenient and cost-effective, it is vital to respect copyright laws and intellectual property rights. Platforms offering free downloads often operate within legal boundaries, ensuring that the materials they provide are either in the public domain or authorized for distribution. By adhering to copyright laws, users can enjoy the benefits of free access to knowledge while supporting the authors and publishers who make these resources available. In conclusion, the availability of Kawasaki Brute Force 2015 Manual free PDF books and manuals for download has revolutionized the way we access and consume knowledge. With just a few clicks, individuals can explore a vast collection of resources across different disciplines, all free of charge. This accessibility empowers individuals to become lifelong learners, contributing to personal growth, professional development, and the advancement of society as a whole. So why not unlock a world of knowledge today? Start exploring the vast sea of free PDF books and manuals waiting to be discovered right at your fingertips.

## FAQs About Kawasaki Brute Force 2015 Manual Books

How do I know which eBook platform is the best for me? Finding the best eBook platform depends on your reading preferences and device compatibility. Research different platforms, read user reviews, and explore their features before making a choice. Are free eBooks of good quality? Yes, many reputable platforms offer high-quality free eBooks, including classics and public domain works. However, make sure to verify the source to ensure the eBook credibility. Can I read eBooks without an eReader? Absolutely! Most eBook platforms offer webbased readers or mobile apps that allow you to read eBooks on your computer, tablet, or smartphone. How do I avoid digital eye strain while reading eBooks? To prevent digital eye strain, take regular breaks, adjust the font size and background color, and ensure proper lighting while reading eBooks. What the advantage of interactive eBooks? Interactive eBooks incorporate multimedia elements, quizzes, and activities, enhancing the reader engagement and providing a more immersive learning experience. Kawasaki Brute Force 2015 Manual is one of the best book in our library for free trial. We provide copy of Kawasaki Brute Force 2015 Manual in digital format, so the resources that you find are reliable. There are also many Ebooks of related with Kawasaki Brute Force 2015 Manual. Where to download Kawasaki Brute Force 2015 Manual online for free? Are you looking for Kawasaki Brute Force 2015 Manual PDF? This is definitely going to save you time and cash in something you should think about. If you trying to find then search around for online. Without a doubt there are numerous these available and many of them have the freedom. However without doubt you receive whatever you purchase. An alternate way to get ideas is always to check another Kawasaki Brute Force 2015 Manual. This method for see exactly what may be included and adopt these ideas to your book. This site will almost certainly help you save time and effort, money and stress. If you are looking for free books then you really should consider finding to assist you try this. Several of Kawasaki Brute Force 2015 Manual are for sale to free while some are payable. If you arent sure if the books you would like to download works with for usage along with your computer, it is possible to download free trials. The free guides make it easy for someone to free access online library for download books to your device. You can get free download on free trial for lots of books categories. Our library is the biggest of these that have literally hundreds of thousands of different products categories represented. You will also see that there are specific sites catered to different product types or categories, brands or niches related with Kawasaki Brute Force 2015 Manual. So depending on what exactly you are searching, you will be able to choose e books to suit your own need. Need to access completely for Campbell Biology Seventh Edition book? Access Ebook without any digging. And by having access to our ebook online or by storing it on your computer, you have convenient answers with Kawasaki Brute Force 2015 Manual To get started finding Kawasaki Brute Force 2015 Manual, you are right to find our website which has a comprehensive collection of books online. Our library is the biggest of these that have literally hundreds of thousands of different products represented. You will also see that there are specific sites catered to different categories or niches related with Kawasaki Brute Force



2015 Manual So depending on what exactly you are searching, you will be able to choose ebook to suit your own need. Thank you for reading Kawasaki Brute Force 2015 Manual. Maybe you have knowledge that, people have search numerous times for their favorite readings like this Kawasaki Brute Force 2015 Manual, but end up in harmful downloads. Rather than reading a good book with a cup of coffee in the afternoon, instead they juggled with some harmful bugs inside their laptop. Kawasaki Brute Force 2015 Manual is available in our book collection an online access to it is set as public so you can download it instantly. Our digital library spans in multiple locations, allowing you to get the most less latency time to download any of our books like this one. Merely said, Kawasaki Brute Force 2015 Manual is universally compatible with any devices to read.

**Find Kawasaki Brute Force 2015 Manual :**

*nadaac certification exam sample study guide*

*nalanda open university question paper 21*

*nakamichi pa user guide*

**nalc color coded calendar 2014**

*nad 702 user guide*

*name that system puzzle answer key*

*nangi larki swimming pool wallpaper*

**nash cl maintenance manual**

*nasco frog dissection guide*

*nadhalia ya semiotiki*

*narrative essay sample for kids*

**nabh guidelines for operation theater**

**n3 mechanotechnology question papers november**

*n4 computer practice question papers*

*nakama 2 2nd edition student manual*

**Kawasaki Brute Force 2015 Manual :**

*the westing game final test review exam review flashcards - May 03 2023*

web the westing game final test review exam review married to dr jake wexler has 2 daughters but favors the oldest angela and ignores the youngest turtle puts everyone down is sam westing s niece thinks her careers are interior decorator and

heiress maiden name was windkloppel just like sam westing s

**the westing game test final test easy bookrags com** - Nov 28 2022

web this test consists of 15 multiple choice questions and 5 short answer questions multiple choice questions 1 who were the guests at angela s shower a a hand picked list selected by her mother of all the richest girls in town b her mother s friends and their daughters c all the tenants from sunset towers d her friends from college 2

the westing game final test review flashcards quizlet - Apr 02 2023

web the westing game final test review term 1 13 flora baumbach click the card to flip definition 1 13 maiden name flora miller age 60 dressmaker husband left years ago sends no money she had a retarded daughter rosalie a mongoloid child sold bridal shop last year after rosalie died of pneumonia age 19

*the westing game summative test quizizz* - Jul 25 2022

web the westing game summative test quiz for 5th grade students find other quizzes for english and more on quizizz for free

**the westing game test final test hard bookrags com** - Feb 17 2022

web the westing game test final test hard this set of lesson plans consists of approximately 171 pages of tests essay questions lessons and other teaching materials this test consists of 5 short answer questions 10 short essay questions and 1

the westing game final test 421 plays quizizz - Oct 08 2023

web 23 plays 3rd 6th the westing game final test quiz for 5th grade students find other quizzes for english and more on quizizz for free

**test on the westing game worksheets teachers pay teachers** - Mar 21 2022

web the westing game study guide final test and detective note taking charts this book is a murder mystery with many suspects motives and clues the charts contained in this packet allow the reader to be the detective trying to solve the murder

the westing game final test teaching resources tpt - Dec 30 2022

web the westing game final test created by amy washburn this is a product that teachers may use to assess student knowledge on the book the westing game by ellen raskin students will be asked to complete the following character matching fill in the blank short answer extended response subjects english language arts grades 4 th 7 th

**the westing game final test flashcards quizlet** - Sep 07 2023

web a chess move that sam westing used in the game with crow to distract others from the game

**westing game final test flashcards quizlet** - Jun 04 2023

web at the end of the story how is judge ford able to finally repay her debt to sam westing she gives him both of her checks from the will who was j j ford protecting

*the westing game final review flashcards quizlet* - Jan 31 2023

web the westing game final review term 1 51 madame sun lin hoo click the card to flip definition 1 51 mr hoo s wife doesn t speak english very well the thief click the card to flip flashcards learn test match created by richard chini terms in this set 51 madame sun lin hoo mr hoo s wife doesn t speak english very well the thief

[final test on the westing game teaching resources tpt](#) - Jun 23 2022

web creativeteachersclassroom here is a final assessment toolkit for one of my students favorite novels the westing game the final assessment covers reading comprehension point of view tone theme and characterization

[the westing game quizzes gradesaver](#) - Sep 26 2022

web the westing game quiz 1 1 what is the body of water sunset towers is on lake erie lake huron lake ontario lake michigan 2 how many stories high is sunset towers 6 2 3 5 3 who were the first people to be shown sunset towers the wexlers sydelle pulaski judge ford the hoos 4 we are warned that the tenants are all of the following

**the westing game test final test medium bookrags com** - May 23 2022

web the westing game test final test medium this set of lesson plans consists of approximately 171 pages of tests essay questions lessons and other teaching materials this test consists of 5 multiple choice questions 5 short answer questions and 10 short essay questions

[the westing game final test english quizizz](#) - Oct 28 2022

web the westing game final test draft 5th 7th grade played 0 times 0 average accuracy english 7 minutes ago by mtpreston 0 save edit edit the westing game final test draft

**the westing game final test review flashcards quizlet** - Aug 06 2023

web study with quizlet and memorize flashcards containing terms like what are the traits of sunset towers who are the residents of sunset towers who are the heirs of the westing future and more fresh features from the 1 ai enhanced learning platform

[the westing game book quiz](#) - Apr 21 2022

web the westing game take quiz 14 questions share question 1 of 14 what is turtle s real name a tabitha ruth b alice c taylor ruth d alexa question 2 of 14 who sneaks into the westing mansion on halloween a theo b turtle c mr hoo d doug question 3 of 14 how does mr westing say his heirs are related to him a aunts and uncles b cousins c

**the westing game quiz bookrags com** - Mar 01 2023

web take our free the westing game quiz below with 25 multiple choice questions that help you test your knowledge determine which chapters themes and styles you already know and what you need to study for your upcoming essay midterm or final exam take the free quiz now directions click on the correct answer questions 1 5 of 25

**the westing game final test flashcards quizlet** - Jul 05 2023

web the westing game final test 5 0 4 reviews flashcards learn test match ellen raskin click the card to flip who is the author of the westing game click the card to flip 1 35 flashcards learn test match created by diane andrewteacher terms in this set 35 ellen raskin who is the author of the westing game 6

**the westing game test final test medium bookrags com** - Aug 26 2022

web the westing game test final test medium this set of lesson plans consists of approximately 171 pages of tests essay questions lessons and other teaching materials this test consists of 5 multiple choice questions 5 short answer questions and 10 short essay questions

full version evil has a name the untold story of the golden - Jun 13 2023

web oct 26 2020 could it be that evil finally had a name delivering all new details about the investigation and a stunning final act to the events of michelle mcnamara s haunting bestseller i ll be gone in the dark this is the true story of how the suspected golden state killer was captured as told first hand by those closest to the case paul holes the

**evil has a name the untold story of the golden state killer** - Mar 30 2022

web get the full version of this audiobook audiobookscld.com b07h7ryq5pevil has a name the untold story of the golden state killer investigationthe g

**evil has a name the untold story of the golden state killer reddit** - Dec 07 2022

web the east area rapist original night stalker aka golden state killer has been identified as joseph james deangelo jr he committed at least 13 murders 50 rapes and 120 burglaries in california between 1973 and 1986

**evil has a name the untold story of the golden state bookclubs** - Feb 09 2023

web evil has a name the untold story of the golden state killer investigation by jim clemente paul holes and peter mcdonnell *evil has a name the untold story of the golden state killer* - Jul 02 2022

web 3 7k views 15 likes 2 loves 3 comments 1 shares facebook watch videos from audible get inside the mind of a suspected serial killer as told by detectives on the case hear evil has a name

*evil has a name the untold story of the golden state killer* - Apr 30 2022

web amazingly it seemed evil finally had a name delivering all new details about the investigation and a stunning final act to the events of michelle mcnamara s haunting best seller i ll be gone in the dark this is the true story of how the suspected golden state killer was captured as told first hand by those closest to the case

*evil has a name the unto yumpu* - Jun 01 2022

web apr 16 2022 and while numerous police sketches tried to capture his often masked visage the golden state killer spent more than 40 years not only faceless but nameless for his victims for their families and for the investigators tasked with finding him the sensele download evil has a name the untold story of the golden state killer

[evil has a name the untold story of the golden state killer investigation](#) - Jul 14 2023

web evil has a name the untold story of the golden state killer investigation audible audiobook original recording paul holes author narrator jim clemente author narrator peter mcdonnell author audible originals publisher 1 more

[evil has a name audible com](#) - Mar 10 2023

web evil has a name the untold story of the golden state killer investigation by paul holes jim clemente peter mcdonnell narrated by paul holes jim clemente length 6 hrs and 13 mins

**evil has a name the untold story of the golden state killer** - Aug 15 2023

web the original night stalker the visalia ransacker the monster who preyed on californians from 1976 to 1986 was known by many aliases and while numerous police sketches tried to capture his often masked visage the golden state killer spent more than 40 years not only faceless but nameless

**evil has a name the untold story of the golden st download** - Dec 27 2021

web 2 evil has a name the untold story of the golden st 2020 05 23 evil has a name the untold story of the golden st 2020 05 23 santiago jairo manny zondervan a serial killer is on the loose in new york city detective cliff durham has been the lead investigating officer on the case for the past five years six murders have already been

[evil has a name the untold story of the golden state killer](#) - Apr 11 2023

web apr 22 2021 could it be that evil finally had a name delivering all new details about the investigation and a stunning final act to the events of michelle mcnamara s haunting bestseller i ll be gone in the dark this is the true story of how the suspected golden state killer was captured as told first hand by those closest to the case

[how paul holes helped catch the golden state killer all that s](#) - Oct 05 2022

web jun 17 2020 since then holes has joined the united talent agency which manages his speaking engagements across the country he and clemente have co written evil has a name the untold story of the golden state killer investigation and holes has also launched his own podcast the murder squad with investigative journalist billy jensen

[loading interface goodreads](#) - Aug 03 2022

web discover and share books you love on goodreads

**get pdf download evil has a name the untold story of the golden** - Feb 26 2022

web apr 16 2022 evil has a name the untold story of the golden state killer investigation copy link in description to download this book the golden state killer the east area rapist the original night stalker the visalia ransacker the monster who preyed on californians from 1976 to 1986 was known by many aliases

*evil has a name the untold story of the golden state killer* - May 12 2023

web evil has a name the untold story of the golden state killer investigation audio download paul holes jim clemente peter

mcdonnell paul holes jim clemente audible originals amazon co uk audible books originals

[evil has a name the untold story of the golden state killer](#) - Jan 28 2022

web sep 3 2021 evil has a name the untold story of the golden state killer investigation by paul holes free download full book download pdf evil has a name the untold story of the golden state killer

**evil has a name the untold story of the golden state killer** - Jan 08 2023

web the monster who preyed on californians from 1976 to 1986 was known by many aliases and while numerous police sketches tried to capture his often masked visage the golden state killer spent more than 40 years not only faceless but nameless

[amazon com customer reviews evil has a name the untold story](#) - Nov 06 2022

web find helpful customer reviews and review ratings for evil has a name the untold story of the golden state killer investigation at amazon com read honest and unbiased product reviews from our users

[books similar to evil has a name the untold story of the golden](#) - Sep 04 2022

web find books like evil has a name the untold story of the golden state killer investigation from the world s largest community of readers goodreads membe

[ami y perlita rustica 2012 pdf kelliemay](#) - Feb 26 2022

web jan 19 2023 ami y perlita rustica 2012 1 2 downloaded from kelliemay com on january 19 2023 by guest ami y perlita rustica 2012 right here we have countless ebook ami y perlita rustica 2012 and collections to check out we additionally manage to pay for variant types and plus type of the books to browse the usual book

[ami y perlita rustica 2012 wrbb neu](#) - Aug 03 2022

web the ami y perlita rustica 2012 associate that we provide here and check out the link you could purchase guide ami y perlita rustica 2012 or acquire it as soon as feasible

[ami y perlita rustica 2012 pdf uniport edu](#) - Oct 05 2022

web like some harmful virus inside their computer ami y perlita rustica 2012 is manageable in our digital library an online admission to it is set as public fittingly you can download it instantly our digital

[ami y perlita rustica 2012 pdf uniport edu](#) - Jul 02 2022

web apr 11 2023 recognizing the way ways to get this books ami y perlita rustica 2012 is additionally useful you have remained in right site to begin getting this info acquire the ami y perlita rustica 2012 colleague that we have enough money here and check out the link you could purchase lead ami y perlita rustica 2012 or acquire it as soon as feasible

[download ami y perlita rustica 2012 prov media free](#) - Jun 13 2023

web not only this book entitled ami y perlita rustica 2012 by enrique barrios you can also download other attractive online

book in this website this website is available with pay and free online books you can start in searching the book in titled ami y perlita rustica 2012 in the search menu then download it

**petra antik kenti petra gezi rehberi petra gezilecek yerler** - Dec 27 2021

web feb 7 2020 petra antik kenti petra gezi rehberi petra gezilecek yerler 07 02 2020 1 yorum 4 dakika okuma bu yazıda sizlere çok değişik bir yerden bahsedeceğiz adeta masallardan fırlamış gibi görünen petra antik kenti nden bahsediyoruz buraya geldiğinizde kendinizi bir hikayenin içerisinde gibi hissediyorsunuz

ami y perlita rustica by barrios enrique bien rústica 2012 - Jul 14 2023

web available now at abebooks co uk isbn 9788478088263 rústica editorial sirio 2012 condition bien 01 06 2012 ami y perlita rustica by barrios enrique bien rústica 2012 zilis select books

**ami y perlita rustica von barrios enrique bien rústica 2012** - Dec 07 2022

web jetzt verfügbbar bei abebooks de isbn 9788478088263 rústica editorial sirio 2012 zustand bien 01 06 2012 ami y perlita rustica von barrios enrique bien rústica 2012 zilis select books

**ami y perlita rustica 2012 iberlibro com** - Nov 06 2022

web the inspiration for ami and perlita arrived suddenly this book attempts to leave a nurturing ideal in in the minds of children that is the same as the entire literary catalogue of enrique barrios a world at peace full of solidarity and love

**ami y perlita rustica 2012 tapa blanda 18 junio 2012** - Mar 10 2023

web ami y perlita rustica 2012 barrios enrique amazon es libros saltar al contenido principal es hola elige tu dirección libros selecciona el departamento que quieras buscar buscar amazon es es hola identifícate cuenta y cuenta y listas devoluciones y pedidos cesta

**ami y perlita rustica 2012 pdf copy agrolinux8 agrositio** - Mar 30 2022

web download and install ami y perlita rustica 2012 pdf thus simple ami publishes report on 5 energy megatrends in latin america jan 19 2023 miami jan 19 2023 globe newswire americas market intelligence ami has just published a new report entitled 5 megatrends in latin america s energy sector for 2023 and beyond which is

ami y perlita rustica 2012 pdf uniport edu - Apr 30 2022

web may 25 2023 you could purchase guide ami y perlita rustica 2012 or acquire it as soon as feasible you could quickly download this ami y perlita rustica 2012 after getting deal

*ami y perlita rustica 2012 pdf download vitaliyaiife* - Jun 01 2022

web ami y perlita rustica 2012 pdf download just only for you because ami y perlita rustica 2012 pdf download book is limited edition and best seller in the year this ami y perlita

*ami y perlita spanish edition by enrique barrios goodreads* - Jan 08 2023

web un día y de la misma forma súbita en que llegó la inspiración para ami surgió ami y perlita esta obra procura dejar en el alma de los niños el mismo ideal que nutre toda la producción literaria de Enrique Barrios esto es un mundo en paz en solidaridad y en amor show more genres childrens 96 pages paperback first published

*tarım perlit i ile inşaat perlit i arasında ne fark var agaclar net* - Jan 28 2022

web nov 2 2007 bu konuda her yerde farklı bilgi var kimisi aynı sadece büyüklük olarak farklı diyor kimi yukarıdaki mesajdaki gibi birbirinden farklı diyor kimi inşaat perlit i zararlı diyor sadece perlit olarak biraz araştırdım tarım perlit i diye bir ayrım yok görünüyor literatürde şahsi kanaatım tarım perlit i diyip normal perlit i daha

**ami y perlita rustica 2012 download only** - Sep 04 2022

web mar 1 2023 ami y perlita rustica 2012 when somebody should go to the book stores search creation by shop shelf by shelf it is truly problematic this is why we provide the book compilations in this website it will completely ease you to see guide ami y perlita rustica 2012 as you such as by searching the title publisher or authors of

ami y perlita rustica 2012 help environment harvard edu - May 12 2023

web what we have enough money below as skillfully as review ami y perlita rustica 2012 what you as soon as to read music and gender tullia magrini 2003 06 15 the contributors explore the intimate relationships between music gender across the wide range of cultures around the mediterranean

*gratis ami y perlita rustica 2012 de enrique* - Aug 15 2023

web apr 8 2021 detalles del libro name ami y perlita rustica 2012 autor enrique barrios categoria libros infantil desarrollo y cuestiones personales y sociales tamaño del archivo 10 mb tipos de archivo pdf document idioma español archivos de estado available leer en linea ami y perlita rustica 2012 de

**ami y perlita rustica 2012 amazon de** - Feb 09 2023

web ami y perlita rustica 2012 barrios enrique isbn 9788478088263 kostenloser versand für alle bücher mit versand und verkauf duch amazon

**ami y perlita rustica by barrios enrique bien rústica 2012** - Apr 11 2023

web title ami y perlita rustica publisher editorial sirio publication date 2012 binding rústica condition