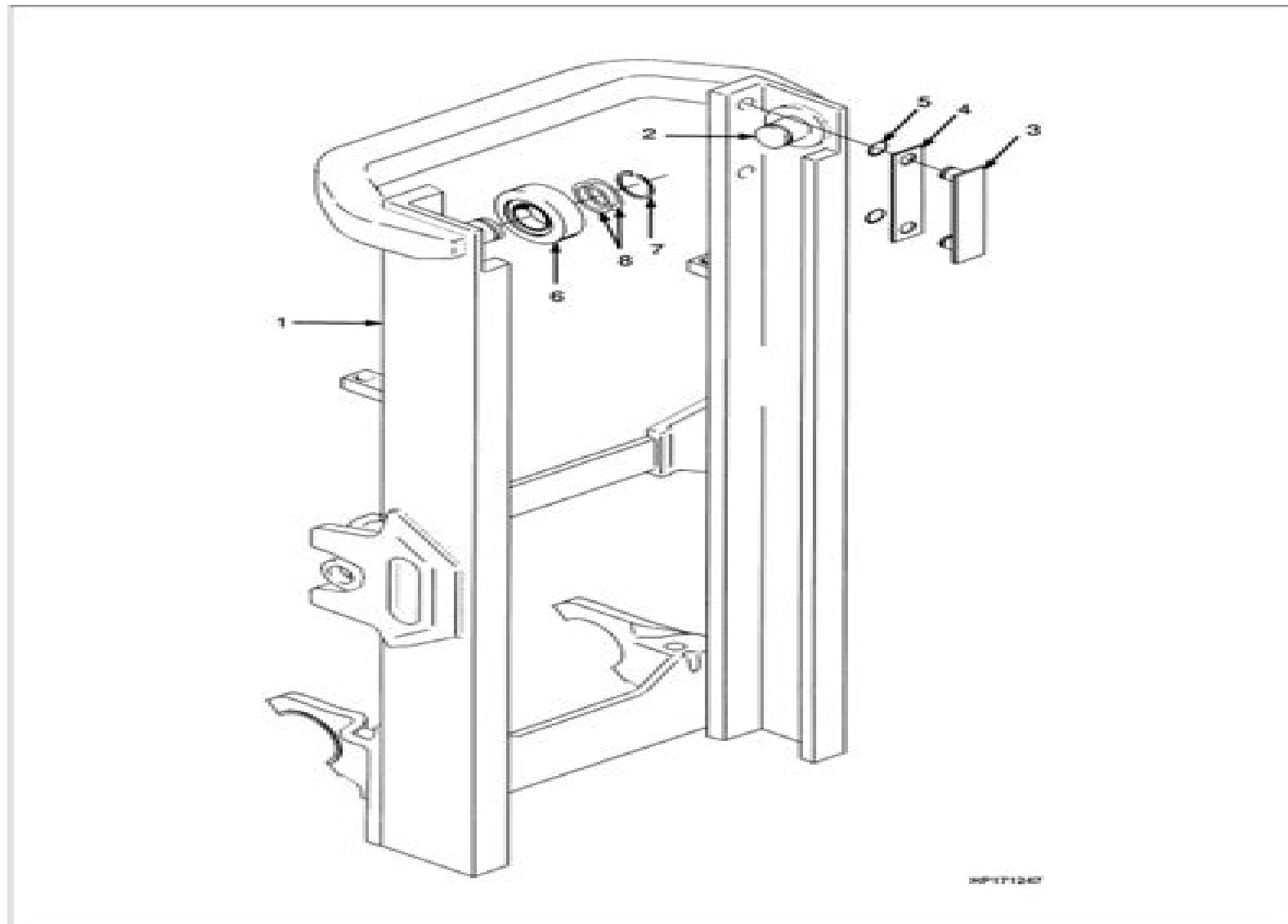


## AUSSENMAST (Abbildung 10-1) ZWEIFACHVOLLFREIHUB



# Hyster 50 Forklift Operation Manual

**S Nieto**



## **Hyster 50 Forklift Operation Manual:**

Hyster 50 Forklift Operation Manual: Bestsellers in 2023 The year 2023 has witnessed a noteworthy surge in literary brilliance, with numerous captivating novels captivating the hearts of readers worldwide. Lets delve into the realm of top-selling books, exploring the engaging narratives that have enthralled audiences this year. The Must-Read : Colleen Hoover's "It Ends with Us" This poignant tale of love, loss, and resilience has gripped readers with its raw and emotional exploration of domestic abuse. Hoover expertly weaves a story of hope and healing, reminding us that even in the darkest of times, the human spirit can triumph. Uncover the Best : Taylor Jenkins Reids "The Seven Husbands of Evelyn Hugo" This spellbinding historical fiction novel unravels the life of Evelyn Hugo, a Hollywood icon who defies expectations and societal norms to pursue her dreams. Reids absorbing storytelling and compelling characters transport readers to a bygone era, immersing them in a world of glamour, ambition, and self-discovery. Discover the Magic : Delia Owens "Where the Crawdads Sing" This mesmerizing coming-of-age story follows Kya Clark, a young woman who grows up alone in the marshes of North Carolina. Owens spins a tale of resilience, survival, and the transformative power of nature, entrancing readers with its evocative prose and mesmerizing setting. These bestselling novels represent just a fraction of the literary treasures that have emerged in 2023. Whether you seek tales of romance, adventure, or personal growth, the world of literature offers an abundance of compelling stories waiting to be discovered. The novel begins with Richard Papen, a bright but troubled young man, arriving at Hampden College. Richard is immediately drawn to the group of students who call themselves the Classics Club. The club is led by Henry Winter, a brilliant and charismatic young man. Henry is obsessed with Greek mythology and philosophy, and he quickly draws Richard into his world. The other members of the Classics Club are equally as fascinating. Bunny Corcoran is a wealthy and spoiled young man who is always looking for a good time. Charles Tavis is a quiet and reserved young man who is deeply in love with Henry. Camilla Macaulay is a beautiful and intelligent young woman who is drawn to the power and danger of the Classics Club. The students are all deeply in love with Morrow, and they are willing to do anything to please him. Morrow is a complex and mysterious figure, and he seems to be manipulating the students for his own purposes. As the students become more involved with Morrow, they begin to commit increasingly dangerous acts. The Secret History is an exceptional and thrilling novel that will keep you guessing until the very end. The novel is a cautionary tale about the dangers of obsession and the power of evil.

[https://staging.conocer.cide.edu/About/uploaded-files/Documents/jensens\\_format\\_writing\\_02\\_edition.pdf](https://staging.conocer.cide.edu/About/uploaded-files/Documents/jensens_format_writing_02_edition.pdf)

## **Table of Contents Hyster 50 Forklift Operation Manual**

1. Understanding the eBook Hyster 50 Forklift Operation Manual
  - The Rise of Digital Reading Hyster 50 Forklift Operation Manual
  - Advantages of eBooks Over Traditional Books
2. Identifying Hyster 50 Forklift Operation Manual
  - Exploring Different Genres
  - Considering Fiction vs. Non-Fiction
  - Determining Your Reading Goals
3. Choosing the Right eBook Platform
  - Popular eBook Platforms
  - Features to Look for in an Hyster 50 Forklift Operation Manual
  - User-Friendly Interface
4. Exploring eBook Recommendations from Hyster 50 Forklift Operation Manual
  - Personalized Recommendations
  - Hyster 50 Forklift Operation Manual User Reviews and Ratings
  - Hyster 50 Forklift Operation Manual and Bestseller Lists
5. Accessing Hyster 50 Forklift Operation Manual Free and Paid eBooks
  - Hyster 50 Forklift Operation Manual Public Domain eBooks
  - Hyster 50 Forklift Operation Manual eBook Subscription Services
  - Hyster 50 Forklift Operation Manual Budget-Friendly Options
6. Navigating Hyster 50 Forklift Operation Manual eBook Formats
  - ePub, PDF, MOBI, and More
  - Hyster 50 Forklift Operation Manual Compatibility with Devices
  - Hyster 50 Forklift Operation Manual Enhanced eBook Features
7. Enhancing Your Reading Experience
  - Adjustable Fonts and Text Sizes of Hyster 50 Forklift Operation Manual
  - Highlighting and Note-Taking Hyster 50 Forklift Operation Manual
  - Interactive Elements Hyster 50 Forklift Operation Manual
8. Staying Engaged with Hyster 50 Forklift Operation Manual

- Joining Online Reading Communities
  - Participating in Virtual Book Clubs
  - Following Authors and Publishers Hyster 50 Forklift Operation Manual
9. Balancing eBooks and Physical Books Hyster 50 Forklift Operation Manual
- Benefits of a Digital Library
  - Creating a Diverse Reading Collection Hyster 50 Forklift Operation Manual
10. Overcoming Reading Challenges
- Dealing with Digital Eye Strain
  - Minimizing Distractions
  - Managing Screen Time
11. Cultivating a Reading Routine Hyster 50 Forklift Operation Manual
- Setting Reading Goals Hyster 50 Forklift Operation Manual
  - Carving Out Dedicated Reading Time
12. Sourcing Reliable Information of Hyster 50 Forklift Operation Manual
- Fact-Checking eBook Content of Hyster 50 Forklift Operation Manual
  - Distinguishing Credible Sources
13. Promoting Lifelong Learning
- Utilizing eBooks for Skill Development
  - Exploring Educational eBooks
14. Embracing eBook Trends
- Integration of Multimedia Elements
  - Interactive and Gamified eBooks

### **Hyster 50 Forklift Operation Manual Introduction**

In this digital age, the convenience of accessing information at our fingertips has become a necessity. Whether its research papers, eBooks, or user manuals, PDF files have become the preferred format for sharing and reading documents. However, the cost associated with purchasing PDF files can sometimes be a barrier for many individuals and organizations. Thankfully, there are numerous websites and platforms that allow users to download free PDF files legally. In this article, we will explore some of the best platforms to download free PDFs. One of the most popular platforms to download free PDF files is Project Gutenberg. This online library offers over 60,000 free eBooks that are in the public domain. From classic literature to

historical documents, Project Gutenberg provides a wide range of PDF files that can be downloaded and enjoyed on various devices. The website is user-friendly and allows users to search for specific titles or browse through different categories. Another reliable platform for downloading Hyster 50 Forklift Operation Manual free PDF files is Open Library. With its vast collection of over 1 million eBooks, Open Library has something for every reader. The website offers a seamless experience by providing options to borrow or download PDF files. Users simply need to create a free account to access this treasure trove of knowledge. Open Library also allows users to contribute by uploading and sharing their own PDF files, making it a collaborative platform for book enthusiasts. For those interested in academic resources, there are websites dedicated to providing free PDFs of research papers and scientific articles. One such website is Academia.edu, which allows researchers and scholars to share their work with a global audience. Users can download PDF files of research papers, theses, and dissertations covering a wide range of subjects. Academia.edu also provides a platform for discussions and networking within the academic community. When it comes to downloading Hyster 50 Forklift Operation Manual free PDF files of magazines, brochures, and catalogs, Issuu is a popular choice. This digital publishing platform hosts a vast collection of publications from around the world. Users can search for specific titles or explore various categories and genres. Issuu offers a seamless reading experience with its user-friendly interface and allows users to download PDF files for offline reading. Apart from dedicated platforms, search engines also play a crucial role in finding free PDF files. Google, for instance, has an advanced search feature that allows users to filter results by file type. By specifying the file type as "PDF," users can find websites that offer free PDF downloads on a specific topic. While downloading Hyster 50 Forklift Operation Manual free PDF files is convenient, it's important to note that copyright laws must be respected. Always ensure that the PDF files you download are legally available for free. Many authors and publishers voluntarily provide free PDF versions of their work, but it's essential to be cautious and verify the authenticity of the source before downloading Hyster 50 Forklift Operation Manual. In conclusion, the internet offers numerous platforms and websites that allow users to download free PDF files legally. Whether it's classic literature, research papers, or magazines, there is something for everyone. The platforms mentioned in this article, such as Project Gutenberg, Open Library, Academia.edu, and Issuu, provide access to a vast collection of PDF files. However, users should always be cautious and verify the legality of the source before downloading Hyster 50 Forklift Operation Manual any PDF files. With these platforms, the world of PDF downloads is just a click away.

## **FAQs About Hyster 50 Forklift Operation Manual Books**

1. Where can I buy Hyster 50 Forklift Operation Manual books? Bookstores: Physical bookstores like Barnes & Noble,

- Waterstones, and independent local stores. Online Retailers: Amazon, Book Depository, and various online bookstores offer a wide range of books in physical and digital formats.
2. What are the different book formats available? Hardcover: Sturdy and durable, usually more expensive. Paperback: Cheaper, lighter, and more portable than hardcovers. E-books: Digital books available for e-readers like Kindle or software like Apple Books, Kindle, and Google Play Books.
  3. How do I choose a Hyster 50 Forklift Operation Manual book to read? Genres: Consider the genre you enjoy (fiction, non-fiction, mystery, sci-fi, etc.). Recommendations: Ask friends, join book clubs, or explore online reviews and recommendations. Author: If you like a particular author, you might enjoy more of their work.
  4. How do I take care of Hyster 50 Forklift Operation Manual books? Storage: Keep them away from direct sunlight and in a dry environment. Handling: Avoid folding pages, use bookmarks, and handle them with clean hands. Cleaning: Gently dust the covers and pages occasionally.
  5. Can I borrow books without buying them? Public Libraries: Local libraries offer a wide range of books for borrowing. Book Swaps: Community book exchanges or online platforms where people exchange books.
  6. How can I track my reading progress or manage my book collection? Book Tracking Apps: Goodreads, LibraryThing, and Book Catalogue are popular apps for tracking your reading progress and managing book collections. Spreadsheets: You can create your own spreadsheet to track books read, ratings, and other details.
  7. What are Hyster 50 Forklift Operation Manual audiobooks, and where can I find them? Audiobooks: Audio recordings of books, perfect for listening while commuting or multitasking. Platforms: Audible, LibriVox, and Google Play Books offer a wide selection of audiobooks.
  8. How do I support authors or the book industry? Buy Books: Purchase books from authors or independent bookstores. Reviews: Leave reviews on platforms like Goodreads or Amazon. Promotion: Share your favorite books on social media or recommend them to friends.
  9. Are there book clubs or reading communities I can join? Local Clubs: Check for local book clubs in libraries or community centers. Online Communities: Platforms like Goodreads have virtual book clubs and discussion groups.
  10. Can I read Hyster 50 Forklift Operation Manual books for free? Public Domain Books: Many classic books are available for free as they're in the public domain. Free E-books: Some websites offer free e-books legally, like Project Gutenberg or Open Library.



**Find Hyster 50 Forklift Operation Manual :****jensens format writing 02 edition**

[jerusalem interlude library edition zion covenant audio](#)

**jcaho survey coordinators handbook**

[jayce and the wheeled warriors the bloodstone](#)

[java examples in a nutshell 3rd edition](#)

**jean prouve complete works 19171933**

[jean-paul sartre modern masters](#)

[jeff huntlys african wildlife sketches](#)

[javier perez](#)

[jebica stockholder](#)

[jean-henry danglebert and the seventeenth-century clavecin school](#)

**jazz standards from broadway**

[jesse ventura the body the mouth and the mind](#)

[java from the beginning](#)

**jerusalem city of the ages****Hyster 50 Forklift Operation Manual :**

[ghosts of the tsunami death and life in japan paperback](#) - Sep 04 2022

web may 17 2018 heart breaking and hopeful this intimate account of a tragedy unveils the unique nuances of japanese culture the tsunami s impact on japan s stunning and majestic landscape and the psychology of its people ghosts of the tsunami is an award winning classic of literary non fiction

**ghosts of the tsunami death and life in japan s disaster zone** - Jul 14 2023

web the definitive account of what happened why and above all how it felt when catastrophe hit japan by the japan correspondent of the times london and author of people who eat darkness on march 11 2011 a powerful earthquake sent a 120 foot high tsunami smashing into the coast of northeast japan

*ghosts of the tsunami death and life in japan s disaster zone* - Aug 15 2023

web english x 295 pages 22 cm on march 11 2011 a 120 foot high tsunami smashed into the northeast coast of japan leaving more than eighteen thousand people dead it was japan s single greatest loss of life since the atomic bombing of nagasaki in

1945

[ghosts of the tsunami death and life in japan s disaster zone](#) - Oct 05 2022

web summary on march 11 2011 a 120 foot high tsunami smashed into the northeast coast of japan leaving more than eighteen thousand people dead it was japan s single greatest loss of life since the atomic bombing of nagasaki in 1945

**ghosts of the tsunami death and life in japan s disaster zone** - Mar 10 2023

web oct 24 2017 named one of the best books of 2017 by the guardian npr qq the economist bookforum and lit hub the definitive account of what happened why and above all how it felt when catastrophe hit

[ghosts of the tsunami death and life in japan s disaster zone](#) - Jun 01 2022

web oct 9 2018 on march 11 2011 a powerful earthquake sent a 120 foot high tsunami smashing into the coast of northeast japan by the time the sea retreated more than eighteen thousand people had been crushed burned to death or drowned it was japan s greatest single loss of life since the atomic bombing of nagasaki

*ghosts of the tsunami death and life in japan s disaster zone* - Jun 13 2023

web ghosts of the tsunami death and life in japan s disaster zone by parry richard lloyd author publication date 2017 topics tohoku earthquake and tsunami japan 2011 japan social conditions 21st century publisher london vintage digital

**ghosts of the tsunami death and life in japan s disaster zone** - Nov 06 2022

web richard lloyd parry oct 2017 sold by mcd 4 1 star 11 reviews ebook 320 pages family home eligible info 12 99 ebook free sample switch to the audiobook about this ebook arrow forward named one of

**ghosts of the tsunami death and life in japan s disaster zone** - Jan 08 2023

web aug 16 2017 the result is a compassionate and piercing look at the communities ravaged by the tsunami which claimed more than 99 of the day s casualties of 18 500 the greatest single loss of life in

**ghosts of the tsunami death and life in japan s disaster zone** - Aug 03 2022

web the tsunami is not water predestination the rough steep path there may be gaps in memory consolation of the spirits save don t fall to sea summary march 11 2011 a powerful earthquake sent a 120 foot high tsunami smashing into the coast of northeast japan more than eighteen thousand people were crushed burned to death or drowned

*ghosts of the tsunami wikipedia* - May 12 2023

web ghosts of the tsunami death and life in japan s disaster zone is a 2017 non fiction book written by richard lloyd parry an english reporter who lived in japan and reported about events there for years before the 2011 japanese tsunami in particular the fatal decision making leading to the drowning of the 74 students and 10 teachers of okawa

**ghosts of the tsunami death and life in japan s disaster zone** - Feb 26 2022

web sep 15 2017 the definitive book on the quake which killed more than 15 000 people and led to the fukushima nuclear

disaster mail online every time i think of it i m filled with wonderment this book is a future classic of disaster journalism up there with john hersey s hiroshima rachel cooke observer mr lloyd parry offers a voice to the

**ghosts of the tsunami death and life in japan s disaster zone** - Jan 28 2022

web oct 24 2017 named one of the best books of 2017 by the guardian npr gq the economist bookforum and lit hub the definitive account of what happened why and above all how it felt when catastrophe hit japan by the japan correspondent of the times london and author of people who eat darkness

**ghosts of the tsunami death and life in japan english edition** - Mar 30 2022

web aug 31 2017 ghosts of the tsunami death and life in japan english edition kindle 597 pages kindle 1 265 pages 13pt a remarkable and deeply moving book henry marsh bestselling author of do no harm a breathtaking

*ghosts of the tsunami death and life in japan s disaster zone* - Feb 09 2023

web parry an award winning foreign correspondent lived through the earthquake in tokyo and spent six years reporting from the disaster zone there he encountered stories of ghosts and hauntings and met a priest who exorcised the spirits of the dead

*ghosts of the tsunami death and life in japan hardcover* - Apr 11 2023

web on 11 march 2011 a massive earthquake sent a 120 foot high tsunami smashing into the coast of north east japan by the time the sea retreated more than 18 500 people had been crushed burned to death or drowned it was japan s greatest single loss of life since the atomic bombing of nagasaki

**ghosts of the tsunami death and life in japan google play** - Apr 30 2022

web heart breaking and hopeful this intimate account of a tragedy unveils the unique nuances of japanese culture the tsunami s impact on japan s stunning and majestic landscape and the psychology of its people ghosts of the tsunami is an award winning classic of literary non fiction it tells the moving evocative story of how a nation faced an

*ghosts of the tsunami death and life in japan s disaster zone* - Jul 02 2022

web ghosts of the tsunami is the tale of the human toll that resulted from the powerful 2011 earthquake that rocked japan and the subsequent tsunami that killed thousands of people it is told through the eyes of a small town in northern japan with a focus on its elementary school and the mystery of what happened there that led to the deaths of 74

*ghosts of the tsunami death and life in japan s disaster zone* - Dec 07 2022

web oct 24 2017 richard lloyd parry ghosts of the tsunami death and life in japan s disaster zone hardcover october 24 2017 english edition by richard lloyd parry 737 ratings

**ghosts of the tsunami death and life in japan paperback** - Dec 27 2021

web richard lloyd parry uncovers the immediate aftermath and long term effects of the japanese earthquake and tsunami of

2011 which resulted in the loss of 18 500 souls a remarkable and deeply moving book henry marsh bestselling author of do no harm a breathtaking extraordinary work of non fiction times literary supplement

[mastering autodesk revit mep 2015 autodesk official press](#) - Jun 01 2022

web this revision covers all of revit mep s new features and includes more advanced electrical and plumbing information in addition the book features real world sidebars and hands on tutorials that reinforce the detailed discussions along with downloadable before and after tutorial files to help you complete the hands on projects

*mastering autodesk revit architecture 2015 e kitap eddy* - Jan 08 2023

web bir eddy krygiel eseri olan mastering autodesk revit architecture 2015 e kitap olarak en cazip fiyat ile d r de keşfetmek için hemen tıklayınız

**mastering autodesk revit architecture 2015 pdf pdfdrive** - Apr 30 2022

web read download pdf mastering autodesk revit architecture 2015 by eddy krygiel update the latest version with high quality try now

*mastering autodesk revit architecture 2015 autodesk official press* - Feb 09 2023

web mastering revit architecture is organized by real world workflows and features detailed explanations interesting real world examples and practical tutorials to help readers understand revit and bim concepts so that they can quickly start accomplishing vital

[mastering autodesk revit architecture 2015 apple books](#) - Dec 07 2022

web may 19 2014 the ultimate guide to autodesk revit architecture 2015 responding to reader and instructor feedback the expert author team updated and refreshed the book s content to make it even more useful complete and approachable mastering revit architecture is organized by real world w

**mastering autodesk revit architecture 2015 autodesk official press** - Jul 14 2023

web mastering autodesk revit architecture 2015 autodesk official press wiley the ultimate guide to autodesk revit architecture 2015 responding to reader and instructor feedback the expert author team updated and refreshed the books content to make it even more useful complete and approachable

**mastering autodesk revit architecture 2015 autodesk official** - May 12 2023

web the ultimate guide to autodesk revit architecture 2015 responding to reader and instructor feedback the expert author team updated and refreshed the book s content to make it even more useful complete and approachable

[mastering autodesk revit architecture 2015 autodesk official](#) - Oct 05 2022

web in litres digital library you can download the book mastering autodesk revit architecture 2015 autodesk official press by eddy krygiel read reviews of the book and write your own at litres

[mastering autodesk revit architecture 2015 archive org](#) - Aug 15 2023

web feb 19 2022 [mastering autodesk revit architecture 2015 the ultimate guide to autodesk revit architecture 2015](#)  
responding to reader and instructor feedback the expert author team updated and refreshed the book s content to make it  
even more useful complete and approachable

[mastering autodesk revit architecture 2015 perlego](#) - Feb 26 2022

web [mastering autodesk revit architecture 2015 1st ed wiley perlego com book 1000139](#) [mastering autodesk revit  
architecture 2015 autodesk official press pdf](#)

**mastering autodesk revit mep 2015 autodesk official press** - Sep 04 2022

web the definitive guide to autodesk revit mep the expert author team for this autodesk official press book has employed  
their years of experience to develop this exhaustive reference and tutorial which is perfectly paced to cover all the core  
concepts and functionality of revit mep including navigating the interface project setup and

[mastering autodesk revit mep 2015 autodesk official press](#) - Jan 28 2022

web jun 23 2014 [become an autodesk revit mep 2015 expert](#) perfectly paced and covering all the core concepts and  
functionality of autodesk revit mep 2015 this complete reference helps you master project set up and templates create logical  
air water and fire protection systems evaluate building loads and more

**autodesk books free download borrow and streaming internet archive** - Jul 02 2022

web aug 31 2017 [mastering autodesk revit mep 2015 hocr pageindex json gz download 4 7k](#) [maya visual effects the  
innovator s guide hocr pageindex json gz download](#)

**mastering autodesk revit architecture 2015 autodesk official** - Mar 30 2022

web apr 11 2018 [mastering revit architecture](#) is organized by real world workflows and features detailed explanations  
interesting real world examples and practical tutorials to help readers understand revit and bim concepts so that they can  
quickly start accomplishing vital revit tasks

**mastering autodesk revit architecture 2015** - Dec 27 2021

web [mastering autodesk revit architecture 2015 e kitap ürününün fiyatını öğrenmek ve online sipariş vermek için tıklayın](#)  
[Çiçeksepeti com mobil uygulamamızı İndirin aç](#)

**mastering autodesk revit architecture 2015 autodesk official press** - Jun 13 2023

web jun 3 2014 [mastering autodesk revit architecture 2015 s](#) focused discussions detailed exercises and compelling real  
world examples help readers of all levels learn and implement revit completely reorganized for this edition the authors have  
incorporated feedback from revit users and instructors to make this an even more usable guide to

**mastering autodesk revit mep 2015 google books** - Aug 03 2022

web jun 23 2014 the expert author team for this autodesk official press book has employed their years of experience to develop this exhaustive reference and tutorial which is perfectly paced to cover all the core

**mastering autodesk revit architecture 2015 overdrive** - Apr 11 2023

web jun 9 2014 mastering revit architecture is organized by real world workflows and features detailed explanations interesting real world examples and practical tutorials to help readers understand revit and bim concepts so that they can quickly start accomplishing vital revit tasks

*mastering autodesk revit architecture 2015 autodesk official press* - Mar 10 2023

web mastering autodesk revit architecture 2015 autodesk official press ebook written by eddy krygiel james vandezande read this book using google play books app on your pc android ios

*mastering autodesk revit architecture 2015 autodesk official* - Nov 06 2022

web mastering autodesk revit architecture 2015 s focused discussions detailed exercises and compelling real world examples help readers of all levels learn and implement revit completely reorganized for this edition the authors have incorporated feedback from revit users and instructors to make this an even more usable guide to revit

**en direct avec jean michel cohen consultation savoir maigrir** - Feb 15 2023

web 1 1k views streamed 2 years ago chaque jour à 13h00 jean michel cohen et son équipe échantent avec les membres du programme savoir maigrir et répondent à toutes leurs questions en direct

*régime cohen prix avantages et inconvénients doctissimo* - May 18 2023

web nov 18 2021 savoir maigrir principes coût avantages et inconvénients du régime du dr cohen plus qu'un simple régime savoir maigrir veut vous réapprendre à bien manger et à cuisiner des repas variés et équilibrés grâce à un accompagnement personnalisé quotidien et aux explications du nutritionniste jean michel cohen

*méthode cohen dans l app store* - Jan 14 2023

web la méthode cohen c'est l'application du programme savoir maigrir avec jean michel cohen vous y trouverez tous ses conseils vidéos ainsi que des recettes 1 nouvelle recette par jour et des informations très utiles sur la nutrition

**savoir maigrir youtube** - Jul 20 2023

web bienvenue sur la chaîne dédiée du programme savoir maigrir de dr jean michel cohen

**savoir maigrir avec dr jean michel cohen boulogne billancourt facebook** - Dec 13 2022

web savoir maigrir avec dr jean michel cohen 210 312 likes 11 658 talking about this 140 were here savoir maigrir aujourd'hui com sid 252 page

savoir maigrir avec jean michel cohen - Mar 16 2023

web mieux qu'un régime le programme savoir maigrir créé par jean michel cohen est un guide plein de conseils nutritionnels

précieux vous saurez décrypter les étiquettes des produits déjouer les pièges de l'alimentation et préserver à la fois votre ligne et votre santé

**le blog jean michel cohen pour vous permettre de rester** - Nov 12 2022

web un stimulant qui conserve votre jeunesse nous consommons principalement du thé noir qui subit une oxydation complète et se conserve plus longtemps et du thé vert qui est au contraire un thé non fermenté

*savoir maigrir nos formules* - Jun 07 2022

web savoir maigrir nos formules le magazine du bien être de la beauté et de la minceur tout ce que vous avez besoin de savoir sur la nutrition la minceur et la beauté découvrez nos programmes personnalisés et nos menus minceur hebdomadaires

**notre avis sur le programme savoir maigrir 1 régime** - Jul 08 2022

web nov 1 2018 savoir maigrir commence par un bilan sur soi son objectif et des questions sur les habitudes alimentaires à la suite de ce bilan une analyse est faite sur ce que vous avez besoin et comment atteindre votre poids idéal puis une fois que vous avez choisi votre abonnement le régime peut débuter

**mon espace personnel outils de coaching savoir maigrir** - Sep 22 2023

web vous pouvez commencer le programme savoir maigrir avec jean michel cohen dès maintenant à un tarif préférentiel si vous êtes déjà client e connectez vous en cliquant ici retrouvez votre ligne en changeant vos habitudes alimentaires

**aujourd'hui com youtube** - Apr 17 2023

web faites votre bilan minceur gratuit sur [savoirmaigrir.fr](http://savoirmaigrir.fr) mincir as savoir maigrir abonnez vous à la chaîne savoir maigrir programme pour maigrir sur internet

**régime savoir maigrir un programme d amaigrissement qui** - Aug 21 2023

web le programme savoir maigrir vous propose des plans de repas variés et équilibrés accompagnés de listes de courses pratiques et très bien faites retrouvez plus de 1600 recettes savoureuses pour accompagner votre perte de poids avec plaisir et vous bénéficierez d'un accompagnement diététique individuel

**aide faq régime savoir maigrir avec jean michel cohen** - Oct 11 2022

web tout ce que vous devez savoir sur le programme en ligne savoir maigrir de jean michel cohen que ce soit des questions générales spécifiques ou sur le programme de perte de poids des problèmes d'ordre technique ou bien liés au paiement

*savoir maigrir magazines* - Mar 04 2022

web savoir maigrir magazines le magazine du bien être de la beauté et de la minceur tout ce que vous avez besoin de savoir sur la nutrition la minceur et la beauté découvrez nos programmes personnalisés et nos menus minceur hebdomadaires

**savoir maigrir mon compte** - Aug 09 2022

web savoir maigrir spécialiste du bien être et de la minceur depuis 2002 effectuez votre bilan minceur gratuitement et choisissez le programme minceur qui vous convient savoir maigrir mon compte le magazine du bien être de la beauté et de la minceur tout ce que vous avez besoin de savoir sur la nutrition la minceur et la beauté

[mon espace personnel outils de coaching savoir maigrir](#) - Apr 05 2022

web mar 29 2012 l accès et l utilisation du forum sont réservés aux participant e s du programme de jean michel cohen vous pouvez commencer le programme savoir maigrir avec jean michel cohen dès maintenant à un tarif préférentiel si vous êtes déjà client e connectez vous en cliquant ici

[la méthode cohen pour perdre du poids dr jean michel cohen](#) - Oct 23 2023

web la box minceur masterclass perdez enfin les kilos qui vous gâchent la vie depuis 15 ans la méthode cohen a permis à plus de 700 000 membres de perdre du poids en apprenant à manger équilibré créé par le nutritionniste n 1 en france coaching par des diététiciennes diplômées menus personnalisés selon vos préférences commencer

**savoir maigrir site officiel du magazine savoir maigrir** - May 06 2022

web savoir maigrir spécialiste du bien être et de la minceur depuis 2002 effectuez votre bilan minceur gratuitement et choisissez le programme minceur qui vous convient coaching minceur

[pdf le savoir maigrir](#) - Jun 19 2023

web de l homme préhistorique la bonne nouvelle c est qu il est possible d inverser à tout moment le processus la minceur passe alors par un retour aux origines vous découvrirez comment perdre du poids sans se priver quelles sont les protéines qui font maigrir quels sont les aliments modernes à écarter tous les

*maigrir rapidement comment maigrir vite et sans risque* - Sep 10 2022

web pour vous aider à maigrir vite et bien sans aucun risque pour votre santé voici un exemple de menu équilibrée pour une journée de régime si besoin n hésitez pas à adapter ce menu en