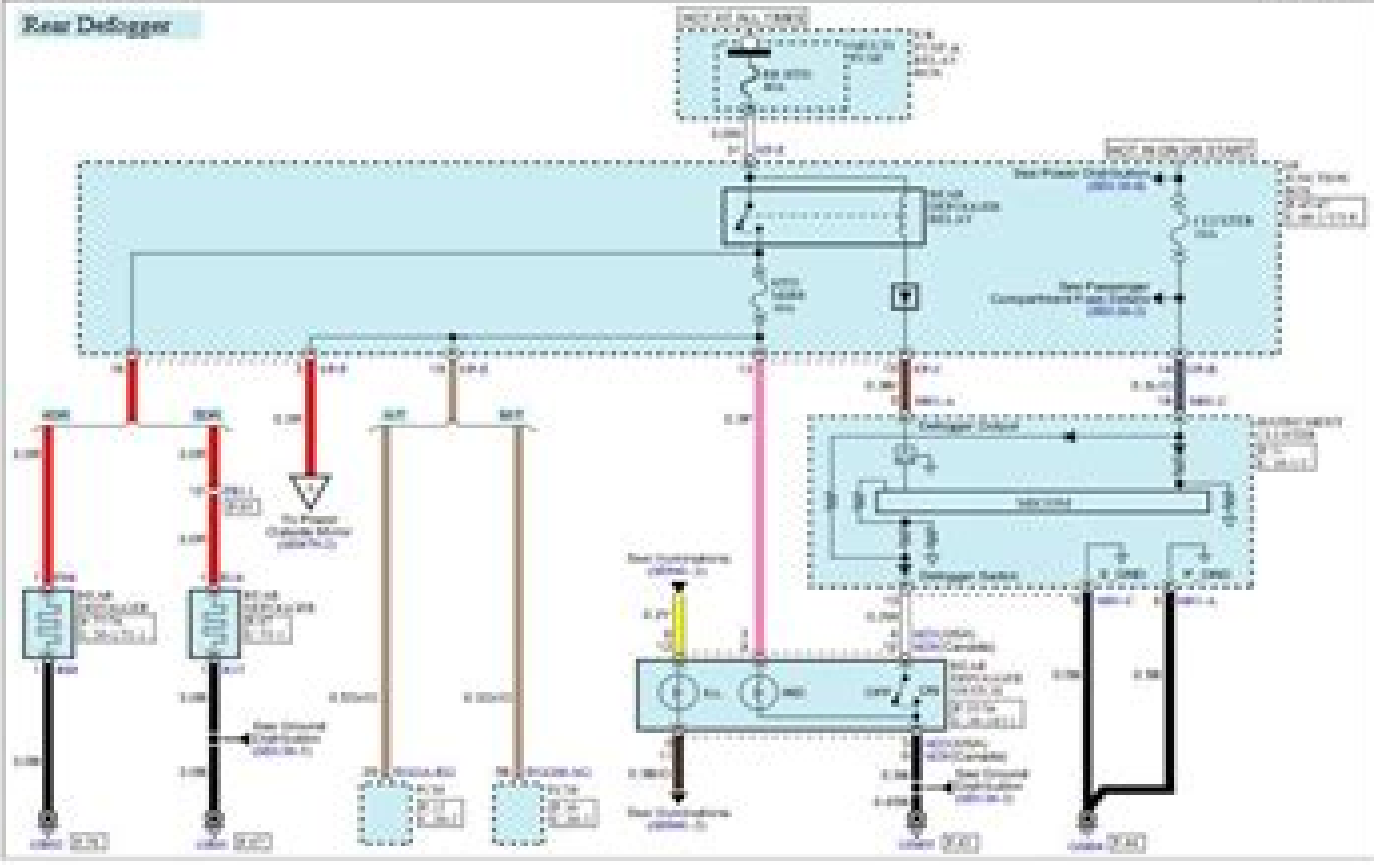


Rear Defogger



Hyundai Service Manual Electrical Wiring Diagrams

F Rizvi



Hyundai Service Manual Electrical Wiring Diagrams:

As recognized, adventure as well as experience about lesson, amusement, as skillfully as covenant can be gotten by just checking out a book **Hyundai Service Manual Electrical Wiring Diagrams** in addition to it is not directly done, you could acknowledge even more something like this life, in the region of the world.

We manage to pay for you this proper as skillfully as easy artifice to get those all. We find the money for Hyundai Service Manual Electrical Wiring Diagrams and numerous ebook collections from fictions to scientific research in any way. in the midst of them is this Hyundai Service Manual Electrical Wiring Diagrams that can be your partner.

<https://staging.conocer.cide.edu/public/scholarship/HomePages/hippos%20river%20cafe.pdf>

Table of Contents Hyundai Service Manual Electrical Wiring Diagrams

1. Understanding the eBook Hyundai Service Manual Electrical Wiring Diagrams
 - The Rise of Digital Reading Hyundai Service Manual Electrical Wiring Diagrams
 - Advantages of eBooks Over Traditional Books
2. Identifying Hyundai Service Manual Electrical Wiring Diagrams
 - Exploring Different Genres
 - Considering Fiction vs. Non-Fiction
 - Determining Your Reading Goals
3. Choosing the Right eBook Platform
 - Popular eBook Platforms
 - Features to Look for in an Hyundai Service Manual Electrical Wiring Diagrams
 - User-Friendly Interface
4. Exploring eBook Recommendations from Hyundai Service Manual Electrical Wiring Diagrams
 - Personalized Recommendations
 - Hyundai Service Manual Electrical Wiring Diagrams User Reviews and Ratings
 - Hyundai Service Manual Electrical Wiring Diagrams and Bestseller Lists
5. Accessing Hyundai Service Manual Electrical Wiring Diagrams Free and Paid eBooks

- Hyundai Service Manual Electrical Wiring Diagrams Public Domain eBooks
 - Hyundai Service Manual Electrical Wiring Diagrams eBook Subscription Services
 - Hyundai Service Manual Electrical Wiring Diagrams Budget-Friendly Options
6. Navigating Hyundai Service Manual Electrical Wiring Diagrams eBook Formats
 - ePub, PDF, MOBI, and More
 - Hyundai Service Manual Electrical Wiring Diagrams Compatibility with Devices
 - Hyundai Service Manual Electrical Wiring Diagrams Enhanced eBook Features
 7. Enhancing Your Reading Experience
 - Adjustable Fonts and Text Sizes of Hyundai Service Manual Electrical Wiring Diagrams
 - Highlighting and Note-Taking Hyundai Service Manual Electrical Wiring Diagrams
 - Interactive Elements Hyundai Service Manual Electrical Wiring Diagrams
 8. Staying Engaged with Hyundai Service Manual Electrical Wiring Diagrams
 - Joining Online Reading Communities
 - Participating in Virtual Book Clubs
 - Following Authors and Publishers Hyundai Service Manual Electrical Wiring Diagrams
 9. Balancing eBooks and Physical Books Hyundai Service Manual Electrical Wiring Diagrams
 - Benefits of a Digital Library
 - Creating a Diverse Reading Collection Hyundai Service Manual Electrical Wiring Diagrams
 10. Overcoming Reading Challenges
 - Dealing with Digital Eye Strain
 - Minimizing Distractions
 - Managing Screen Time
 11. Cultivating a Reading Routine Hyundai Service Manual Electrical Wiring Diagrams
 - Setting Reading Goals Hyundai Service Manual Electrical Wiring Diagrams
 - Carving Out Dedicated Reading Time
 12. Sourcing Reliable Information of Hyundai Service Manual Electrical Wiring Diagrams
 - Fact-Checking eBook Content of Hyundai Service Manual Electrical Wiring Diagrams
 - Distinguishing Credible Sources
 13. Promoting Lifelong Learning
 - Utilizing eBooks for Skill Development

- Exploring Educational eBooks

14. Embracing eBook Trends

- Integration of Multimedia Elements
- Interactive and Gamified eBooks

Hyundai Service Manual Electrical Wiring Diagrams Introduction

In the digital age, access to information has become easier than ever before. The ability to download Hyundai Service Manual Electrical Wiring Diagrams has revolutionized the way we consume written content. Whether you are a student looking for course material, an avid reader searching for your next favorite book, or a professional seeking research papers, the option to download Hyundai Service Manual Electrical Wiring Diagrams has opened up a world of possibilities. Downloading Hyundai Service Manual Electrical Wiring Diagrams provides numerous advantages over physical copies of books and documents. Firstly, it is incredibly convenient. Gone are the days of carrying around heavy textbooks or bulky folders filled with papers. With the click of a button, you can gain immediate access to valuable resources on any device. This convenience allows for efficient studying, researching, and reading on the go. Moreover, the cost-effective nature of downloading Hyundai Service Manual Electrical Wiring Diagrams has democratized knowledge. Traditional books and academic journals can be expensive, making it difficult for individuals with limited financial resources to access information. By offering free PDF downloads, publishers and authors are enabling a wider audience to benefit from their work. This inclusivity promotes equal opportunities for learning and personal growth. There are numerous websites and platforms where individuals can download Hyundai Service Manual Electrical Wiring Diagrams. These websites range from academic databases offering research papers and journals to online libraries with an expansive collection of books from various genres. Many authors and publishers also upload their work to specific websites, granting readers access to their content without any charge. These platforms not only provide access to existing literature but also serve as an excellent platform for undiscovered authors to share their work with the world. However, it is essential to be cautious while downloading Hyundai Service Manual Electrical Wiring Diagrams. Some websites may offer pirated or illegally obtained copies of copyrighted material. Engaging in such activities not only violates copyright laws but also undermines the efforts of authors, publishers, and researchers. To ensure ethical downloading, it is advisable to utilize reputable websites that prioritize the legal distribution of content. When downloading Hyundai Service Manual Electrical Wiring Diagrams, users should also consider the potential security risks associated with online platforms. Malicious actors may exploit vulnerabilities in unprotected websites to distribute malware or steal personal information. To protect themselves, individuals should ensure their devices have reliable antivirus software installed and validate the legitimacy of the websites they are downloading from. In conclusion, the ability to download Hyundai Service

Manual Electrical Wiring Diagrams has transformed the way we access information. With the convenience, cost-effectiveness, and accessibility it offers, free PDF downloads have become a popular choice for students, researchers, and book lovers worldwide. However, it is crucial to engage in ethical downloading practices and prioritize personal security when utilizing online platforms. By doing so, individuals can make the most of the vast array of free PDF resources available and embark on a journey of continuous learning and intellectual growth.

FAQs About Hyundai Service Manual Electrical Wiring Diagrams Books

1. Where can I buy Hyundai Service Manual Electrical Wiring Diagrams books? Bookstores: Physical bookstores like Barnes & Noble, Waterstones, and independent local stores. Online Retailers: Amazon, Book Depository, and various online bookstores offer a wide range of books in physical and digital formats.
2. What are the different book formats available? Hardcover: Sturdy and durable, usually more expensive. Paperback: Cheaper, lighter, and more portable than hardcovers. E-books: Digital books available for e-readers like Kindle or software like Apple Books, Kindle, and Google Play Books.
3. How do I choose a Hyundai Service Manual Electrical Wiring Diagrams book to read? Genres: Consider the genre you enjoy (fiction, non-fiction, mystery, sci-fi, etc.). Recommendations: Ask friends, join book clubs, or explore online reviews and recommendations. Author: If you like a particular author, you might enjoy more of their work.
4. How do I take care of Hyundai Service Manual Electrical Wiring Diagrams books? Storage: Keep them away from direct sunlight and in a dry environment. Handling: Avoid folding pages, use bookmarks, and handle them with clean hands. Cleaning: Gently dust the covers and pages occasionally.
5. Can I borrow books without buying them? Public Libraries: Local libraries offer a wide range of books for borrowing. Book Swaps: Community book exchanges or online platforms where people exchange books.
6. How can I track my reading progress or manage my book collection? Book Tracking Apps: Goodreads, LibraryThing, and Book Catalogue are popular apps for tracking your reading progress and managing book collections. Spreadsheets: You can create your own spreadsheet to track books read, ratings, and other details.
7. What are Hyundai Service Manual Electrical Wiring Diagrams audiobooks, and where can I find them? Audiobooks: Audio recordings of books, perfect for listening while commuting or multitasking. Platforms: Audible, LibriVox, and Google Play Books offer a wide selection of audiobooks.
8. How do I support authors or the book industry? Buy Books: Purchase books from authors or independent bookstores.

Reviews: Leave reviews on platforms like Goodreads or Amazon. Promotion: Share your favorite books on social media or recommend them to friends.

9. Are there book clubs or reading communities I can join? Local Clubs: Check for local book clubs in libraries or community centers. Online Communities: Platforms like Goodreads have virtual book clubs and discussion groups.
10. Can I read Hyundai Service Manual Electrical Wiring Diagrams books for free? Public Domain Books: Many classic books are available for free as they're in the public domain. Free E-books: Some websites offer free e-books legally, like Project Gutenberg or Open Library.

Find Hyundai Service Manual Electrical Wiring Diagrams :

[hippos river cafe](#)

[hispano-arabic poetry and its relations with old provencal troubadours](#)

[hill of fire an i can read history](#)

hints to landlords and tenants upon the subject of the present agricultural distress

historic american highways

hippocrene practical dictionary italian englis

historic hudson old cavagnal

hiking the columbia river gorge

hints on the game of golf

[hispanic female and young an anthology](#)

hinckley township or grand lake stream plantation. 122 p.

[hilario y la cucaracha maravillosa el barco de vapor](#)

hill song a country journal

[his hippopotamus smile](#)

[hikes in the virginias](#)

Hyundai Service Manual Electrical Wiring Diagrams :

die nürnbergrechter osteoporoseschule goes digital openpr - Jun 21 2022

web für die osteoporose bedeutet dies eine bessere umsetzung knochengesunden verhaltens und eine konsequentere einnahme osteoporosespezifischer medikamente die

nümbrechter osteoporose schule request pdf researchgate - Jun 02 2023

web aug 11 2020 bei der nümbrechter osteoporoseschule veröffentlicht 2008 handelt es sich um ein standardisiertes evaluiertes schulungsprogramm das multiprofessionell

nbl osteo formula 90 tablet vitaminler - Feb 15 2022

web diyaliz Ünitesi erişkin hematopoetik ko k hu cre nakli u nitesi genetik hastalıkları ve tanı merkezi girişimsel radyoloji havacılık tıp merkezi havza fizik tedavi merkezi İnme

die nümbrechter osteoporoseschule ein stationäres und auch - Jul 03 2023

web die nümbrechter osteoporoseschule ist ein zu diesem zweck einsetzbares schulungsprogramm das die neuesten leitlinien erfüllt multiprofessionell modularer

sağlık uygulama ve araştırma merkezi - Mar 19 2022

web 00 00000000 0000000000 00000000 00000 000000000 00000000 00000000 nümbrechter osteoporose schule 00 0000000 0000000000 00000000 00000000 3798517894 9783798517899 isbn 9783798517882 00

nümbrechter osteoporoseschule zepg - Oct 06 2023

das programm nümbrechter osteoporoseschule richtet sich an osteoporosebetroffene und gefährdete sowie an an der krankheit interessierte die inhaltliche schwerpunkte liegen in der vermittlung von basiswissen über osteoporose der psychologischen krankheitsverarbeitung und see more

nümbrechter osteoporose schule 9783798517882 - Nov 26 2022

web oct 8 2008 köp n¼mbrechter osteoporose schule av klaus m peters monika bode ladda enkelt ned e boken och börja läsa direkt

numbrechter osteoporose schule ws 1 ps2pdf com - Jan 17 2022

web nbl osteo formula bileşenlerinin temel görevleri kalsiyum normal kemiklerin ve dişlerin korunmasına d vitamini kalsiyum magnezyum normal kas fonksiyonuna d vitamini

nümbrechter osteoporose schule by klaus m peters overdrive - Jan 29 2023

web für die osteoporose bedeutet dies eine bessere umsetzung knochengesunden verhaltens und eine konsequentere einnahme osteoporosespezifischer medikamente die

das prinzip der nümbrechter osteoporoseschule request pdf - Mar 31 2023

web schulungsmaterialien auf der internetseite der nümbrechter osteoporoseschule dozentenhandbuch handout für die teilnehmer ein schulungsprogramm in 9

n¼mbrechter osteoporose schule ebok klaus m peters - Dec 28 2022

web oct 8 2008 bei chronischen erkrankungen wie osteoporose sind patienten schulungen ein zentrales element der

therapie sie verbessern die mitarbeit der patienten die

nümbrechter osteoporose schule springerlink - Sep 05 2023

das programm orientiert sich an den leitlinien des dachverbands osteologie dvo stand des eintrags 07 04 2008 informationen zum bezug im dezember see more

nümbrechter osteoporose schule worldcat org - May 01 2023

web jan 1 2008 die nümbrechter osteoporoseschule erfüllt alle kriterien der neuesten schulungsleitlinien multiprofessionell modularer aufbau standardisierte

die nümbrechter osteoporoseschule ein stationäres und auch - Sep 24 2022

web nümbrechter osteoporose schule ein schulungsprogramm in 9 modulen dozentenhandbuch pdf 7jt1m1oleh80 bei chronischen erkrankungen wie

nümbrechter osteoporose schule ein schulungsprogramm in 9 - Oct 26 2022

web nümbrechter osteoporose schule is written by klaus m peters monika bode and published by steinkopff the digital and etextbook isbn for nümbrechter

nümbrechter osteoporose schule electronic resource - Aug 24 2022

web zur behandlung der osteoporose stehen seit vielen jahren wirksame medikamente zur verfügung eine s3 leitlinie zur prophylaxe diagnostik und therapie der osteoporose

nümbrechter osteoporose schule by klaus m peters - Nov 14 2021

web nümbrechter osteoporose schule von klaus m peters monika bode isbn 978 3 7985 1789 9 online kaufen sofort download lehmanns ch

nümbrechter osteoporose schule peters klaus m bode - Jul 23 2022

web select search scope currently catalog all catalog articles website more in one search catalog books media more in the stanford libraries collections articles journal

nümbrechter osteoporose schule ebook lehmanns de - Aug 04 2023

web für die osteoporose bedeutet dies eine bessere umsetzung knochengesunden verhaltens und eine konsequentere einnahme osteoporosespezifischer medikamente die

nümbrechter osteoporose schule by klaus m peters - May 21 2022

web oct 5 2012 nümbrechter osteoporose patiententag am samstag dem 3 september 2016 ab 14 00 uhr in der dr becker rhein sieg klinik höhenstraße 30 51588

nümbrechter osteoporose schule 9783798517882 - Apr 19 2022

web nümbrechter osteoporose schule edownloads osteoporose früh erkennen osteoporose früh erkennen osteoporose in

biologie schülerlexikon lernhelfer nümbrechter

nümbrechter osteoporose schule klaus m peters monika - Feb 27 2023

web jan 1 2008 die nümbrechter osteoporoseschule wird wie auch die von der dr bund konzipierte rükkenschule

multiprofessionell durchgeführt das schulungsteam besteht

nümbrechter osteoporose schule ebook lehmanns ch - Dec 16 2021

web numbrechter osteoporose schule the real name of god numbrechter osteoporose schule downloaded from ws 1 ps2pdf

com by guest nelson maximilian the real

script library bbc - Aug 27 2022

web tv comedy tv drama script library read bbc tv radio and film scripts new in the script library the responder scripts from

tony schumacher s bbc one drama

85 comedy scripts that screenwriters can download - Dec 31 2022

web jul 16 2021 your comedy drama script will often find the funny within the drama through bathos in the fifth episode of

the second series of barry the show about an aspiring

10 comedy scripts you need to read and download - Nov 29 2022

web feb 28 2020 22 jump street after making their way through high school twice big changes are in store for officers

schmidt and jenko when they go deep undercover at a

bbc blogs bbc writers how to write tv comedy - Feb 01 2023

web browse scripts for sketches skits and short plays on line from the 930 plays published by lazy bee scripts drill down by

genre including drama comedy farce thriller

funny drama scripts for school get your audience laughing - Jan 20 2022

web jul 9 2023 at school play scripts we have a wide selection of funny drama scripts that are guaranteed to bring laughter

and joy to your audience whether you re a drama

esl plays and skits for teens teaching english games - May 24 2022

web introduction getting started how these skits can help learning warming up for role play and drama adapting scripts to

your students level of english reading the scripts for

20 best comedy scripts to read and download script - Oct 09 2023

here are twenty of the best comedy scripts that you can download and read to help make writing a comedy script that much

easier study these funny scripts and learn how to amp up the funny in your ownscreenplay we ve tried to cater to most tastes

by including a variety of styles and genres from see more

browse sketches and short plays lazy bee scripts - Mar 02 2023

web oct 4 2023 15 short play scripts for drama students october 4 2023 mb team 15 short play scripts for drama students offers teachers and performing arts students
short drama script with moral in english phd study tips - Feb 18 2022
web short drama script with moral there are many scripts available like drama script in english drama scripts for teenagers and funny drama script in english with moral
comedy scripts funny scripts free comedy scripts short - Sep 27 2022
web all scripts icomedytv com comedy scripts funny scripts free comedy scripts short funny scripts
5 short original comedic scripts monologue blogger - May 04 2023
web short play scripts plays of less than 60 minutes qualify as short plays discover short drama scripts short comedy scripts short plays for students short plays for kids
best free comedy scripts online pdf downloads - Sep 08 2023
the 21 jump streetscript puts a new spin on the buddy action movie genre by giving just as much weight to comedy as to the action it takes the see more
15 short play scripts for drama students monologue - Apr 03 2023
web november 9 2022 mb team here s 5 short original comedic scripts you can use for auditions short films or scene study practice and drama school characters below deal
free short plays and skits free drama and comedy - Jul 06 2023
the script by actors emily v gordon and kumail nanjiani is semi autobiographical the main storyline is based on their actual courtship before they got married and many of the events see more
2023 short drama scripts with moral find the perfect story for - Mar 22 2022
web jun 26 2023 in this article we ll delve into the world of short drama scripts with moral themes we ll explore different ideas tips on selecting the right script and share a
ten minute play scripts 10 minute comedies and - Jun 05 2023
a great way of putting a new twist on a genre is to combine it with another this is exactly what the coen brothers did when they created this raymond chandler esque crime story see more
100s of free play scripts for drama students - Jul 26 2022
web oct 13 2023 dramatix is a very large collection of christian drama scripts suitable for the drama classroom scripts are categorised by topic bible stories easter etc all scripts
drama horror comedy script pdf slideshare - Nov 17 2021
web nov 8 2014 drama horror comedy script download as a pdf or view online for free short film script pdf updated 7e neli

noris 112122168 7e nukou

short comedy plays and skits funny humorous scripts - Oct 29 2022

web rock sword firecracker free play preview short comedy skit about the legend behind the game of rock scissors paper 3 actors any gender from a published play the

short drama script in english for 8 characters 2023 find the - Dec 19 2021

web jul 2 2023 if you re looking for a short drama script in english for 8 characters you ve come to the right place in this article we ll guide you through the process of finding the

10 short drama comedy play scripts for acting practice - Apr 22 2022

web mar 21 2023 october 2 2023 mb team 10 small cast play acts 5 10 minutes long for 2 4 actors these are considered one act play scripts for a small

short plays scripts for plays less than 60 minutes drama - Aug 07 2023

selling comedy scripts in hollywood is a tough business but a sure fire way to make it that much easier is to give us a protagonist who leaps off the page make him or her someone unique memorable and most of all see more

best free drama movie scripts online with pdf downloads - Jun 24 2022

web may 30 2020 127 hours written by danny boyle simon beaufoy screenplay based on the book by aron ralston synopsis a mountain climber becomes trapped under a

30 activities for any depth of knowledge level - May 12 2023

web jul 16 2020 dok level 1 recall what is the knowledge who what when where dok level 2 skill concept how can the knowledge be used how can you arrive at the answer dok level 3 strategic thinking why does it happen the way it does how why could the knowledge be used dok level 4 extended thinking how else could you use

bloom s taxonomy and depth of knowledge dok rethinking - Oct 05 2022

web nov 2 2018 multiple choice questions can be written at a dok 3 or 4 level however to design a question in this format is difficult an item at dok level 3 or 4 requires complex reasoning strategic and extended thinking about the concepts of the content and a real world context and especially at a level 4 that requires research investigation and

using webb s depth of knowledge to increase rigor edutopia - Nov 06 2022

web sep 4 2014 dok levels are also not developmental all students including the youngest preschoolers are capable of strategic and extended thinking tasks what they look like will differ and what is level 3 to a kindergarten student may be a level 1 task for a middle schooler all students however should have opportunities to do complex reasoning

questions stems for dok levels related to winston park - Oct 17 2023

web dok 3 3 lafs 3 rl 1 2 recount stories including fables folktales and myths from diverse cultures determine the central

message lesson or moral and explain how it is conveyed through key details in the text dok 2 4 lafs 4 rl 1 2 determine a theme of a story drama or poem from details in the text summarize the text dok 3

[depth of knowledge questions math evelynlearning.com](#) - Jul 14 2023

web jan 13 2020 3 describe the 7 different types of quadrilaterals along with diagrams 4 discern the derivative of $f(x)$ 5 fill in the blanks with appropriate numbers x 2 3 dok level 3 connect the highlighted points and calculate the areas of all the triangles rectangles and squares that are possible

[depth of knowledge questions for science let s explore](#) - Apr 11 2023

web at dok level 3 the depth of knowledge questions for science should focus on a concept that has more than one possible answer at dok 3 students will design investigations around scientific questions evaluate models of engineering solutions justify conclusions based on experimental data with reasoning and evidence dok 4

depth of knowledge dok levels for mathematics pdesas.org - Dec 07 2022

web level 3 strategic thinking requires reasoning planning using evidence and a higher level of thinking than the previous two levels in most instances requiring students to explain their thinking is a level 3 activities that require students to make conjectures are also at this level the cognitive demands at level 3 are complex and abstract

depth of knowledge matrix elementary math robert kaplinsky - Aug 03 2022

web i've decided to expand upon my previous depth of knowledge matrix that helped make it easier to distinguish between depth of knowledge levels in mathematics while it is still useful it didn't cover every grade level and may be too broad in scope so i have made two new depth of knowledge matrices one for elementary mathematics and one for

[depth of knowledge dok for writing edulastic blog](#) - Feb 26 2022

web sep 21 2015 writing allows us to assess the higher level thinking skills that are central to level 4 argumentative writing and prompts that ask students to synthesize information from multiple sources or works are great ways to get at level 4 dok skills in multi paragraph work students demonstrate synthesis and analysis of complex ideas or themes

[depth of knowledge in the english language arts classroom](#) - Apr 30 2022

web dok 3 use information or conceptual knowledge two or more steps etc students have practiced these skills with assistance from kindergarten to second grade and on their own since third grade questions that lie at dok 1 necessitate only memorization and recall and so do not promote

a guide for using webb's depth of knowledge rti center - Jul 02 2022

web if there is a question regarding which of two levels a standard addresses such as level 1 level 2 or level 2 level 3 it is appropriate to assign the highest level as the dok ceiling for the task but also provide opportunities at the lower dok levels as an instructional progression e.g. summarizing a text dok 2 before

considerations for dok question stems for social studies - Jun 01 2022

web dec 15 2016 social studies assessments particularly those written to test the history or economic related standards allow teachers to assess the full range of a student s depth of knowledge dok of the content area considering level 1 through 4 dok question stems for social studies can help teachers better pinpoint student understanding and where

depth of knowledge 4 dok levels proven prodigy education - Aug 15 2023

web aug 8 2022 level 1 dok despite a question s simplicity you can still provide your class with many activities having them finish a range of products depending on the question s purpose students can paraphrase a passage or chapter of a book outline and re iterate the main points of a recent lesson

depth of knowledge sample questions study com - Feb 09 2023

web dok 1 recall and reproduce dok 2 basic application of skills and concepts dok 3 strategic reasoning dok 4 extended reasoning the questions you can ask in each strand are easy to

depth of knowledge for kindergarten and first grade - Jan 08 2023

web description this circular poster is based on webb s depth of knowledge which provides a vocabulary and a frame of reference when thinking about our students and how they engage with the content dok offers a common language to understand rigor or cognitive demand in assessments as well as curricular units lessons and tasks

assessing standards by depth of knowledge sis for teachers - Mar 10 2023

web apr 19 2019 they soon discovered that there weren t very many dok 4 questions those are really high level tasks some of them needed hints they noticed that there weren t any dok level 3 questions in kindergarten a lot of them had trouble deciding if the questions was a 2 or a 3

depth of knowledge matrix 3rd grade robert kaplinsky - Mar 30 2022

web dec 3 2019 each column explores one of eight topics rounding adding 3 digit numbers subtracting 3 digit numbers multiplying multiples of ten fractions on a number line multiplying and dividing within 100 operations with time and area and perimeter you ll notice that the first problem in the column is traditional and familiar

using webb s depth of knowledge dok to make your class - Sep 04 2022

web dok level 4 extended thinking this is the most advanced stage of the depth of knowledge framework and involves students making a significant cognitive effort it encourages students to gather information from multiple resources to solve a specific problem it also motivates them to know the how and why of things

depth of knowledge dok levels windham schools org - Sep 16 2023

web dok level 3 requires higher cognitive demands than the previous levels students explain justify thinking and provide supporting evidence for reasoning or conclusions drawn level 3 tasks typically require reasoning complexity developing a

plan or sequence of steps and have more than one possible response or solution

depth of knowledge dok leveled questioning - Jun 13 2023

web 1 how will you plan to use this in your classroom during whole group or small group instruction and why 2 when do you see the need to use dok question level 3 and dok question level 4 in your classroom 3 looking at your content and standard s objectives create 3 4 questions using dok level 3 and dok level 4