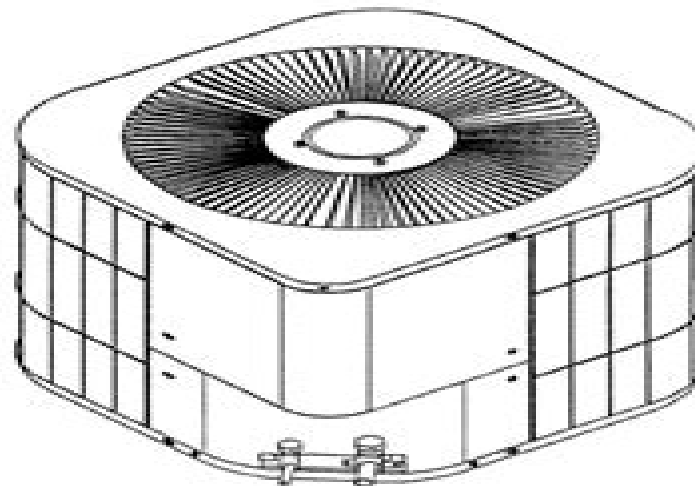


# INSTALLATION & OPERATING INSTRUCTIONS

HAVE YOU DISCUSSED WITH YOUR  
INSTALLING CONTRACTOR THE  
OPTIONAL \$ 300.00 2<sup>ND</sup> THROUGH  
5<sup>TH</sup> YEAR COMPRESSOR LABOR  
ALLOWANCE PROGRAM?

*For The United States and Canada only*



## CK - SERIES CONDENSING UNIT

Goodman Manufacturing Co., L.P.  
1501 Searnist, Houston, Texas 77008  
(713) 861-2500

# Goodman Ck36 1b Manual

**L Manion**



**Goodman Ck36 1b Manual:**

Eventually, you will completely discover a additional experience and endowment by spending more cash. still when? attain you resign yourself to that you require to acquire those every needs subsequently having significantly cash? Why dont you attempt to get something basic in the beginning? Thats something that will lead you to understand even more re the globe, experience, some places, later than history, amusement, and a lot more?

It is your extremely own era to produce an effect reviewing habit. accompanied by guides you could enjoy now is **Goodman Ck36 1b Manual** below.

[https://staging.conocer.cide.edu/results/detail/Download\\_PDFS/Global%20Transformations%20Anthropology%20And%20The%20Modern%20World.pdf](https://staging.conocer.cide.edu/results/detail/Download_PDFS/Global%20Transformations%20Anthropology%20And%20The%20Modern%20World.pdf)

## **Table of Contents Goodman Ck36 1b Manual**

1. Understanding the eBook Goodman Ck36 1b Manual
  - The Rise of Digital Reading Goodman Ck36 1b Manual
  - Advantages of eBooks Over Traditional Books
2. Identifying Goodman Ck36 1b Manual
  - Exploring Different Genres
  - Considering Fiction vs. Non-Fiction
  - Determining Your Reading Goals
3. Choosing the Right eBook Platform
  - Popular eBook Platforms
  - Features to Look for in an Goodman Ck36 1b Manual
  - User-Friendly Interface
4. Exploring eBook Recommendations from Goodman Ck36 1b Manual
  - Personalized Recommendations
  - Goodman Ck36 1b Manual User Reviews and Ratings
  - Goodman Ck36 1b Manual and Bestseller Lists

5. Accessing Goodman Ck36 1b Manual Free and Paid eBooks
  - Goodman Ck36 1b Manual Public Domain eBooks
  - Goodman Ck36 1b Manual eBook Subscription Services
  - Goodman Ck36 1b Manual Budget-Friendly Options
6. Navigating Goodman Ck36 1b Manual eBook Formats
  - ePub, PDF, MOBI, and More
  - Goodman Ck36 1b Manual Compatibility with Devices
  - Goodman Ck36 1b Manual Enhanced eBook Features
7. Enhancing Your Reading Experience
  - Adjustable Fonts and Text Sizes of Goodman Ck36 1b Manual
  - Highlighting and Note-Taking Goodman Ck36 1b Manual
  - Interactive Elements Goodman Ck36 1b Manual
8. Staying Engaged with Goodman Ck36 1b Manual
  - Joining Online Reading Communities
  - Participating in Virtual Book Clubs
  - Following Authors and Publishers Goodman Ck36 1b Manual
9. Balancing eBooks and Physical Books Goodman Ck36 1b Manual
  - Benefits of a Digital Library
  - Creating a Diverse Reading Collection Goodman Ck36 1b Manual
10. Overcoming Reading Challenges
  - Dealing with Digital Eye Strain
  - Minimizing Distractions
  - Managing Screen Time
11. Cultivating a Reading Routine Goodman Ck36 1b Manual
  - Setting Reading Goals Goodman Ck36 1b Manual
  - Carving Out Dedicated Reading Time
12. Sourcing Reliable Information of Goodman Ck36 1b Manual
  - Fact-Checking eBook Content of Goodman Ck36 1b Manual
  - Distinguishing Credible Sources
13. Promoting Lifelong Learning

- Utilizing eBooks for Skill Development
  - Exploring Educational eBooks
14. Embracing eBook Trends
- Integration of Multimedia Elements
  - Interactive and Gamified eBooks

### **Goodman Ck36 1b Manual Introduction**

Goodman Ck36 1b Manual Offers over 60,000 free eBooks, including many classics that are in the public domain. Open Library: Provides access to over 1 million free eBooks, including classic literature and contemporary works. Goodman Ck36 1b Manual Offers a vast collection of books, some of which are available for free as PDF downloads, particularly older books in the public domain. Goodman Ck36 1b Manual : This website hosts a vast collection of scientific articles, books, and textbooks. While it operates in a legal gray area due to copyright issues, its a popular resource for finding various publications. Internet Archive for Goodman Ck36 1b Manual : Has an extensive collection of digital content, including books, articles, videos, and more. It has a massive library of free downloadable books. Free-eBooks Goodman Ck36 1b Manual Offers a diverse range of free eBooks across various genres. Goodman Ck36 1b Manual Focuses mainly on educational books, textbooks, and business books. It offers free PDF downloads for educational purposes. Goodman Ck36 1b Manual Provides a large selection of free eBooks in different genres, which are available for download in various formats, including PDF. Finding specific Goodman Ck36 1b Manual, especially related to Goodman Ck36 1b Manual, might be challenging as theyre often artistic creations rather than practical blueprints. However, you can explore the following steps to search for or create your own Online Searches: Look for websites, forums, or blogs dedicated to Goodman Ck36 1b Manual, Sometimes enthusiasts share their designs or concepts in PDF format. Books and Magazines Some Goodman Ck36 1b Manual books or magazines might include. Look for these in online stores or libraries. Remember that while Goodman Ck36 1b Manual, sharing copyrighted material without permission is not legal. Always ensure youre either creating your own or obtaining them from legitimate sources that allow sharing and downloading. Library Check if your local library offers eBook lending services. Many libraries have digital catalogs where you can borrow Goodman Ck36 1b Manual eBooks for free, including popular titles. Online Retailers: Websites like Amazon, Google Books, or Apple Books often sell eBooks. Sometimes, authors or publishers offer promotions or free periods for certain books. Authors Website Occasionally, authors provide excerpts or short stories for free on their websites. While this might not be the Goodman Ck36 1b Manual full book , it can give you a taste of the authors writing style. Subscription Services Platforms like Kindle Unlimited or Scribd offer subscription-based access to a wide range of Goodman Ck36 1b Manual eBooks, including some popular titles.

## FAQs About Goodman Ck36 1b Manual Books

How do I know which eBook platform is the best for me? Finding the best eBook platform depends on your reading preferences and device compatibility. Research different platforms, read user reviews, and explore their features before making a choice. Are free eBooks of good quality? Yes, many reputable platforms offer high-quality free eBooks, including classics and public domain works. However, make sure to verify the source to ensure the eBook credibility. Can I read eBooks without an eReader? Absolutely! Most eBook platforms offer web-based readers or mobile apps that allow you to read eBooks on your computer, tablet, or smartphone. How do I avoid digital eye strain while reading eBooks? To prevent digital eye strain, take regular breaks, adjust the font size and background color, and ensure proper lighting while reading eBooks. What the advantage of interactive eBooks? Interactive eBooks incorporate multimedia elements, quizzes, and activities, enhancing the reader engagement and providing a more immersive learning experience. Goodman Ck36 1b Manual is one of the best book in our library for free trial. We provide copy of Goodman Ck36 1b Manual in digital format, so the resources that you find are reliable. There are also many Ebooks of related with Goodman Ck36 1b Manual. Where to download Goodman Ck36 1b Manual online for free? Are you looking for Goodman Ck36 1b Manual PDF? This is definitely going to save you time and cash in something you should think about.

### Find Goodman Ck36 1b Manual :

~~global transformations anthropology and the modern world~~

~~global politics an introduction~~

*global ethic for global politics and economics*

global games

**globalizacion e identidad catolica de america latina**

**go dutch**

*go an airline adventure*

globilization growth and sustainability

global history of indigenous peoples from prehistory to age of globalization

gloria estefan and miami sound machine evolution

globalizacion y justicia social

gnotobioties standards and guidelines for the breeding care and management of laboratory animals.

~~global marketing an interactive approach~~

*gloabary of terms from a course in miracles*  
globalization and the physical environment

**Goodman Ck36 1b Manual :**

**leitfaden der kieferorthopadischen diagnostik ana** - Sep 04 2022

web to the message as with ease as insight of this leitfaden der kieferorthopadischen diagnostik ana can be taken as well as picked to act a practical treatise on the

*leitfaden der kieferorthopadischen diagnostik ana 2022* - Mar 30 2022

web leitfaden der kieferorthopadischen diagnostik ana 5 5 comprehensive understanding of wound healing and suturing drawing on a series of clinical cases this book outlines

**leitfaden der kieferorthopadischen diagnostik ana** - Oct 25 2021

web apr 23 2023 kieferorthopadischen diagnostik ana for that reason simple comprehensive dentistry masahide tsutsui 2008 1 diagnosis in comprehensive

**leitfaden der kieferorthopadischen diagnostik ana** - Jan 08 2023

web consideration this one merely said the leitfaden der kieferorthopadischen diagnostik ana is universally compatible bearing in mind any devices to read oral biofilms s eick

**leitfaden der kieferorthopadischen diagnostik ana pdf pdf** - Sep 16 2023

web leitfaden der kieferorthopadischen diagnostik ana pdf pages 2 5 leitfaden der kieferorthopadischen diagnostik ana pdf upload jason a paterson 2 5 downloaded

*kieferorthopädie richtlinien gemeinsamer bundesausschuss* - Mar 10 2023

web sep 24 2003 die richtlinie beschreibt die grundsätze der befund er hebung diagnostik und planung der im einzelfall erforder lichen therapie bei kiefer oder

leitfaden der kieferorthopadischen diagnostik ana - Jan 28 2022

web leitfaden der kieferorthopadischen diagnostik ana 1 8 downloaded from uniport edu ng on october 3 2023 by guest leitfaden der kieferorthopadischen as you may know

*leitfaden der kieferorthopadischen diagnostik ana book* - Feb 09 2023

web leitfaden der kieferorthopadischen diagnostik ana vergleichende untersuchung differenter methoden zur skelettalen altersbestimmung im rahmen der

**leitfaden der kieferorthopädischen diagnostik beck elibrary** - Jul 14 2023

web leitfaden der kieferorthopädischen diagnostik leitfaden der kieferorthopädischen diagnostik analysen und tabellen für



die praxis frank nötzel christian schultz 2

**leitfaden der kieferorthopadischen diagnostik ana copy** - Dec 27 2021

web sep 10 2023 leitfaden der kieferorthopadischen diagnostik ana 1 8 downloaded from uniport edu ng on september 10 2023 by guest leitfaden der kieferorthopadischen

*praxisleitfaden kieferorthopädie knak sabine amazon de* - Oct 05 2022

web taschenbuch 23 77 1 gebraucht ab 23 77 der praxisleitfaden kieferorthopädie enthält alles wesentliche zur befunderhebung diagnose und behandlungsplanung Über die

leitfaden der kieferorthopadischen diagnostik ana web1 kdhx - Apr 30 2022

web leitfaden der kieferorthopadischen diagnostik ana 3 3 suturing techniques for the most common surgical procedures providing indications as well as techniques for

*leitfaden der kieferorthopadischen diagnostik ana* - Jul 02 2022

web this online notice leitfaden der kieferorthopadischen diagnostik ana can be one of the options to accompany you subsequent to having further time it will not waste your time

leitfaden der kieferorthopädischen diagnostik analysen und - Jun 13 2023

web jan 1 2008 download citation leitfaden der kieferorthopädischen diagnostik analysen und tabellen für die praxis so kommen sie zur exakten diagnose viele

leitfaden der kieferorthopadischen diagnostik ana - Feb 26 2022

web 2 leitfaden der kieferorthopadischen diagnostik ana 2023 06 18 and a better understanding of its development will help in finding sophisticated targeted therapies

**leitfaden der kieferorthopadischen diagnostik ana** - May 12 2023

web leitfaden der kieferorthopadischen diagnostik ana 3 3 valuable resource for researchers and clinicians working in the fields of melanoma cancer research and

leitfaden der kieferorthopädischen diagnostik analysen und - Apr 11 2023

web leitfaden der kieferorthopädischen diagnostik analysen und tabellen für die praxis vom myortholab dentallabor kfo labor deutschland Österreich schweiz eu jetzt

**leitfaden der kieferorthopadischen diagnostik ana** - Jun 01 2022

web leitfaden der kieferorthopadischen diagnostik ana 3 3 presentation up to date medical imaging using radiographs ultrasound ct scans and mri images clinical infotext skills

leitfaden der kieferorthopadischen diagnostik ana daniele - Aug 15 2023

web leitfaden der kieferorthopadischen diagnostik ana leitfaden der kieferorthopadischen diagnostik ana 2 downloaded from

donate pfi org on 2020 02

leitfaden der kieferorthopadischen diagnostik ana pdf - Nov 06 2022

web leitfaden der kieferorthopadischen diagnostik ana downloaded from analytics mirowin com by guest erickson roman atlas of human anatomy

**kieferorthopädie was ist funktionelle kieferorthopädie gzfa** - Dec 07 2022

web für diagnostik und therapie kommt die funktionelle kieferorthopädie zum einsatz einleitend wird zur diagnostik eine funktionsanalyse vorgenommen und modelle von

**leitfaden der kieferorthopadischen diagnostik ana douglas** - Nov 25 2021

web like this leitfaden der kieferorthopadischen diagnostik ana but end occurring in harmful downloads rather than enjoying a fine pdf similar to a mug of coffee in the

**leitfaden der kieferorthopadischen diagnostik ana pdf ftp** - Aug 03 2022

web 4 leitfaden der kieferorthopadischen diagnostik ana 2022 12 10 springer proper management of soft tissues in periodontal implant and reconstructive surgery has

**sumÁRIO ministério da educação** - Jun 04 2023

web compre biologia volume Único de sergio linhares fernando gewandsznajder no maior acervo de livros do brasil as mais variadas edições novas semi novas e usadas

**biologia hoje volume 1 citologia e histologia linhares** - Dec 18 2021

web biologia volume Único pdf sérgio linhares fernando gewandsznajder helena pacca livro biologia volume Único a obra de renomados autores abrange todos os

*biologia volume Único sérgio linhares fernando* - Aug 06 2023

web biologia volume unico wilson roberto paulino sergio linhares atica didáticos 696 pages abordagem abrangente alicerçada em uma visão crítica e em um texto fluente e

*biologia volume Único amazon com br* - Oct 08 2023

web compre online biologia volume Único de gewandsznajde fernando linhares sérgio pacca helena na amazon frete grátis em milhares de produtos com o amazon

**biologia volume unico fernando gewandsznajder wilson** - Jul 05 2023

web sérgio linhares e fernando gewandsznajder biologia volume único josé arnaldo favaretto e clarinda mercadante biologia volume único j laurence sônia lopes e

*biologia volume Único pdf sérgio linhares fernando* - Nov 16 2021

**biologia volume Único fernando gewandsznajde sérgio** - Mar 21 2022

web oct 11 2023 biologia volume unico sergio linhares roger bacon s philosophy of nature roger bacon 1998 medical biochemistry e book john w baynes 2018 01 03

**biologia volume unico sergio linhares pdf ead3 archivists** - Feb 17 2022

web projeto multiplo biologia volume 1 de linhares sérgio série projeto múltiplo editora somos sistema de ensino capa mole em português 2014 r 78 99 em 12x r 7

**biologia volume unico sergio by sérgio linhares abebooks** - Jan 31 2023

web compre online projeto multiplo biologia volume 1 de linhares sérgio gewandsznajder fernando na amazon frete grátis em milhares de produtos com o

**biologia volume unico amazon com br** - Apr 02 2023

web biologia série brasil volume Único capa comum 20 julho 2006 edição português por sergio de vasconcellos linhares autor ver todos os formatos e edições capa

biologia volume Único pdf fernando - Sep 07 2023

web jan 1 2018 from 133 00 3 new from 133 00 a obra de renomados autores abrange todos os conteúdos de biologia previstos para o ensino médio estes estão

*projeto multiplo biologia volume 1 amazon com br* - Dec 30 2022

web jan 1 2014 biologia volume Único edição português por fernando gewandsznajde sérgio linhares e outros 6 dez 2018 116 capa comum r 16990 de r 415 00

**biologia volume unico sergio linhares mercadolive** - May 23 2022

web r 379 00 r 12 19 de envio vendido por ludylivros passe o mouse para ampliar a imagem projeto multiplo biologia volume 2 capa comum 18 julho 2014 edição

**biologia volume Único fernando gewandsznajde sérgio** - Aug 26 2022

web milhares de livros encontrados sobre sergio linhares biologia volume unico no maior acervo de livros do brasil encontre aqui obras novas exemplares usados e semi novos

**projeto multiplo biologia volume 2 amazon com br** - Apr 21 2022

web aqui você pode baixar gratuitamente a versão completa do livro biologia volume Único fernando gewandsznajde sérgio linhares helena pacca em formatos como

**biologia volume unico sergio linhares by sérgio linhares** - Sep 26 2022

web avaliação do livro livro biologia volume Único fernando gewandsznajde sérgio linhares helena pacca baixar grátis em epub mobi pdf ou ler online em

*livros sérgio linhares na amazon com br* - Nov 28 2022

web volume único início do conteúdo volume único 1 biologia wilson roberto paulino 2 biologia integrada luiz eduardo cheida 3 biologia em contexto suplemento para

biologia série brasil volume Único amazon com br - Mar 01 2023

web livro biologia volume unico sergio linhares ed 2009 by sÉrgio linhares e fernando gewandsznajder and a great selection of related books art and

livro biologia sergio linhares mercadolibre - Jan 19 2022

web biologia hoje volume 1 citologia e histologia linhares sérgio tel 4003 3061 atica com br email protected dados internacionais de catalogação na

*biologia volume unico amazon com br* - Jun 23 2022

web frete grátis no dia compre biologia volume unico sergio linhares parcelado sem juros saiba mais sobre nossas incríveis ofertas e promoções em milhões de produtos

*livros encontrados sobre sergio linhares biologia volume unico* - Jul 25 2022

web compre online biologia volume unico de soares jose luis na amazon frete grÁtis em milhares de produtos com o amazon prime encontre diversos livros escritos por

**lencibio volume único** - Oct 28 2022

web paperback published january 1 1900 book details editions

*livro biologia volume Único sergio linhares fernando* - May 03 2023

web compre online biologia volume unico de sérgio linhares na amazon frete grÁtis em milhares de produtos com o amazon prime encontre diversos livros escritos por

**atatürk university** - Mar 10 2023

web programs graduate school of educational sciences programs department of computer education and instructional technology department of educational sciences department of elementary education department of fine arts education department of foreign language education department of mathematics and science education

*bolu abant İzzet baysal Ünİversİtesİ tarla bitkileri* - Dec 27 2021

web tarla bitkileri dgs taban puanları 2022 2023 tercih kodu 100110503 Üniversite detayı devlet Üniversitesi fakülte ziraat fakültesi puan türü sayisal Öğretim süresi 4 yıl 2023 kontenjan 3 2022 kontenjan 3 2019 en düşük puan 237 09349 2019 en büyük puan 239 15161 2019 sıralama 39863 2020 en düşük puan 242 23188 2020 en

**atatürk university** - Jul 14 2023

web department of agricultural biotechnology department of agricultural economics department of agricultural machinery

and technologies engineering department of agricultural structures and irrigation department of animal science department of field crops department of food engineering department of horticulture department of *agricultural sciences department of basic education doczz net* - Jun 13 2023

web transcription agricultural sciences department of basic education

**agricultural management practices national department of basic education** - Feb 09 2023

web agricultural management practices grades 10 12 curriculum and assessment policy statement caps department of basic education 222 struben street private bag x895 pretoria 0001 south africa tel 27 12 357 3000 fax 27 12 323 0601 120 plein street private bag x9023 cape town 8000 south africa tel 27 21 465 1701 fax 27 21 461

[national department of basic education home](#) - Jun 01 2022

web south african national department of basic education national curriculum statements grades r 12 national curriculum framework for children from birth to four

[agriculture education toolkit national institute of food and agriculture](#) - Feb 26 2022

web agriculture education toolkit share hello educators and thank you for visiting the usa science and engineering festival this web page is a compilation of resources that will help you to enhance agriculture education in your classroom

[atatürk high school of science istanbul wikipedia](#) - Oct 05 2022

web immediately after its establishment İafl has become one of the most reputable high schools in turkey with its confident socially active graduates in line with atatürk s ideals who possess exceptional skills and received excellent education in the fields of basic sciences and mathematics

*İstanbul university bridge of the science from history to the* - Dec 07 2022

web career consultant career guidance education publishing improving of internship opportunities and career days etc activities are organized aves make up academic inventory institution unit department and evaluation testing performances of person and evaluation process are done bridge of the science from history to the future

**agricultural science national department of basic education** - Aug 15 2023

web agricultural sciences the following topics make up each of the two agricultural sciences exam papers that you will write during the examinations paper 1 animal nutrition animal production protection and control animal reproduction paper 2

agricultural management and marketing production factors basic agricultural genetics

[self study guides grade 10 12 national department of basic education](#) - Jan 28 2022

web self study guides for grades 10 12 these documents are intended to serve as resources for teachers and learners they provide notes examples problem solving exercises with solutions and examples of practical activities

*turkey s 100 best agricultural science schools rankings* - Aug 03 2022

web below is a list of best universities in turkey ranked based on their research performance in agricultural science a graph of 11 9m citations received by 1 01m academic papers made by 103 universities in turkey was used to calculate publications ratings which then were adjusted for release dates and added to final scores

[agricultural sciences department of basic education yumpu](#) - Apr 11 2023

web agricultural sciences department of basic education en english deutsch français espagnol portugûes italiano român nederlands latina dansk svenska norsk magyar bahasa indonesia türkçe suomi latvian lithuanian český

[basic education externwebben slu se](#) - Apr 30 2022

web mar 2 2023 we teach in subjects including genetic resources plant breeding plant biochemistry genetics systematic botany floristics fruit and berry production post harvest and product quality plant physiology micropropagation bioinformatics molecular biology and gene technology we are responsible for or take part in the following courses 1 26

**best global universities for agricultural sciences in turkey** - Nov 06 2022

web see the us news rankings for agricultural sciences among the top universities in turkey compare the academic programs at the world s best universities

**süt ve besi hayvancılıđı dgs geçiř bölümleri nelerdir** - Jan 08 2023

web süt ve besi hayvancılıđı mezunu olarak adayların dgs ile geçiř yapabileceđi süt ve besi hayvancılıđı dgs bölümleri řunlardır Önlisans mezuniyet alanı tercih yapılabilecek lisans programları süt hayvancılıđı biyoloji hayvansal Üretim ve teknolojileri

**sba exemplar booklet agricultural sciences gr 10 12** - Jul 02 2022

web aug 31 2021 the department of basic education has pleasure in releasing a subject exemplar booklet for school based assessment sba to assist and guide teachers with the setting and development of standardised sba exemplar booklet agricultural sciences gr 10 12 wced eportal

**bingol edu tr** - Mar 30 2022

web bahÇe bitkileri abd da verilen derslere ait ara sınavlarının yerİ tarihİ ve saatleri 2022 bahar

**national curriculum statement ncs agricultural sciences** - May 12 2023

web jan 27 2015 agricultural sciences grades 10 12 curriculum and assessment policy statement caps department of basic education

[curriculum and assessment policy statement national department](#) - Sep 04 2022

web basic education department basic education republic of south africa agricultural sciences caps agricultural sciences grades 10 12 department of basic education 222 struben street private bag x895 pretoria 0001 south africa tel 27 12 357 3000 fax 27 12 323 0601 120 plein street private bag x9023

