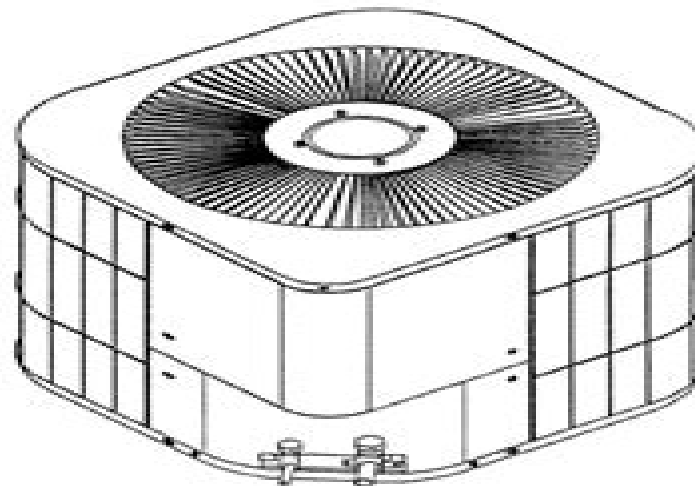


# INSTALLATION & OPERATING INSTRUCTIONS

HAVE YOU DISCUSSED WITH YOUR  
INSTALLING CONTRACTOR THE  
OPTIONAL \$ 300.00 2<sup>ND</sup> THROUGH  
5<sup>TH</sup> YEAR COMPRESSOR LABOR  
ALLOWANCE PROGRAM?

*For The United States and Canada only*



## CK - SERIES CONDENSING UNIT

Goodman Manufacturing Co., L.P.  
1501 Searnist, Houston, Texas 77008  
(713) 861-2500

# Goodman Ck Manual

**LL Leslie**



## **Goodman Ck Manual:**

Getting the books **Goodman Ck Manual** now is not type of inspiring means. You could not isolated going bearing in mind books amassing or library or borrowing from your contacts to gate them. This is an entirely easy means to specifically get guide by on-line. This online proclamation Goodman Ck Manual can be one of the options to accompany you later than having further time.

It will not waste your time. tolerate me, the e-book will enormously proclaim you other matter to read. Just invest tiny become old to open this on-line revelation **Goodman Ck Manual** as capably as evaluation them wherever you are now.

[https://staging.conocer.cide.edu/public/browse/index.jsp/In\\_Denial\\_The\\_Stolen\\_Generations\\_And\\_The\\_Right.pdf](https://staging.conocer.cide.edu/public/browse/index.jsp/In_Denial_The_Stolen_Generations_And_The_Right.pdf)

## **Table of Contents Goodman Ck Manual**

1. Understanding the eBook Goodman Ck Manual
  - The Rise of Digital Reading Goodman Ck Manual
  - Advantages of eBooks Over Traditional Books
2. Identifying Goodman Ck Manual
  - Exploring Different Genres
  - Considering Fiction vs. Non-Fiction
  - Determining Your Reading Goals
3. Choosing the Right eBook Platform
  - Popular eBook Platforms
  - Features to Look for in an Goodman Ck Manual
  - User-Friendly Interface
4. Exploring eBook Recommendations from Goodman Ck Manual
  - Personalized Recommendations
  - Goodman Ck Manual User Reviews and Ratings
  - Goodman Ck Manual and Bestseller Lists
5. Accessing Goodman Ck Manual Free and Paid eBooks

- Goodman Ck Manual Public Domain eBooks
  - Goodman Ck Manual eBook Subscription Services
  - Goodman Ck Manual Budget-Friendly Options
6. Navigating Goodman Ck Manual eBook Formats
    - ePub, PDF, MOBI, and More
    - Goodman Ck Manual Compatibility with Devices
    - Goodman Ck Manual Enhanced eBook Features
  7. Enhancing Your Reading Experience
    - Adjustable Fonts and Text Sizes of Goodman Ck Manual
    - Highlighting and Note-Taking Goodman Ck Manual
    - Interactive Elements Goodman Ck Manual
  8. Staying Engaged with Goodman Ck Manual
    - Joining Online Reading Communities
    - Participating in Virtual Book Clubs
    - Following Authors and Publishers Goodman Ck Manual
  9. Balancing eBooks and Physical Books Goodman Ck Manual
    - Benefits of a Digital Library
    - Creating a Diverse Reading Collection Goodman Ck Manual
  10. Overcoming Reading Challenges
    - Dealing with Digital Eye Strain
    - Minimizing Distractions
    - Managing Screen Time
  11. Cultivating a Reading Routine Goodman Ck Manual
    - Setting Reading Goals Goodman Ck Manual
    - Carving Out Dedicated Reading Time
  12. Sourcing Reliable Information of Goodman Ck Manual
    - Fact-Checking eBook Content of Goodman Ck Manual
    - Distinguishing Credible Sources
  13. Promoting Lifelong Learning
    - Utilizing eBooks for Skill Development

- Exploring Educational eBooks
- 14. Embracing eBook Trends
  - Integration of Multimedia Elements
  - Interactive and Gamified eBooks

### **Goodman Ck Manual Introduction**

In the digital age, access to information has become easier than ever before. The ability to download Goodman Ck Manual has revolutionized the way we consume written content. Whether you are a student looking for course material, an avid reader searching for your next favorite book, or a professional seeking research papers, the option to download Goodman Ck Manual has opened up a world of possibilities. Downloading Goodman Ck Manual provides numerous advantages over physical copies of books and documents. Firstly, it is incredibly convenient. Gone are the days of carrying around heavy textbooks or bulky folders filled with papers. With the click of a button, you can gain immediate access to valuable resources on any device. This convenience allows for efficient studying, researching, and reading on the go. Moreover, the cost-effective nature of downloading Goodman Ck Manual has democratized knowledge. Traditional books and academic journals can be expensive, making it difficult for individuals with limited financial resources to access information. By offering free PDF downloads, publishers and authors are enabling a wider audience to benefit from their work. This inclusivity promotes equal opportunities for learning and personal growth. There are numerous websites and platforms where individuals can download Goodman Ck Manual. These websites range from academic databases offering research papers and journals to online libraries with an expansive collection of books from various genres. Many authors and publishers also upload their work to specific websites, granting readers access to their content without any charge. These platforms not only provide access to existing literature but also serve as an excellent platform for undiscovered authors to share their work with the world. However, it is essential to be cautious while downloading Goodman Ck Manual. Some websites may offer pirated or illegally obtained copies of copyrighted material. Engaging in such activities not only violates copyright laws but also undermines the efforts of authors, publishers, and researchers. To ensure ethical downloading, it is advisable to utilize reputable websites that prioritize the legal distribution of content. When downloading Goodman Ck Manual, users should also consider the potential security risks associated with online platforms. Malicious actors may exploit vulnerabilities in unprotected websites to distribute malware or steal personal information. To protect themselves, individuals should ensure their devices have reliable antivirus software installed and validate the legitimacy of the websites they are downloading from. In conclusion, the ability to download Goodman Ck Manual has transformed the way we access information. With the convenience, cost-effectiveness, and accessibility it offers, free PDF downloads have become a popular choice for students,

researchers, and book lovers worldwide. However, it is crucial to engage in ethical downloading practices and prioritize personal security when utilizing online platforms. By doing so, individuals can make the most of the vast array of free PDF resources available and embark on a journey of continuous learning and intellectual growth.

### FAQs About Goodman Ck Manual Books

1. Where can I buy Goodman Ck Manual books? Bookstores: Physical bookstores like Barnes & Noble, Waterstones, and independent local stores. Online Retailers: Amazon, Book Depository, and various online bookstores offer a wide range of books in physical and digital formats.
2. What are the different book formats available? Hardcover: Sturdy and durable, usually more expensive. Paperback: Cheaper, lighter, and more portable than hardcovers. E-books: Digital books available for e-readers like Kindle or software like Apple Books, Kindle, and Google Play Books.
3. How do I choose a Goodman Ck Manual book to read? Genres: Consider the genre you enjoy (fiction, non-fiction, mystery, sci-fi, etc.). Recommendations: Ask friends, join book clubs, or explore online reviews and recommendations. Author: If you like a particular author, you might enjoy more of their work.
4. How do I take care of Goodman Ck Manual books? Storage: Keep them away from direct sunlight and in a dry environment. Handling: Avoid folding pages, use bookmarks, and handle them with clean hands. Cleaning: Gently dust the covers and pages occasionally.
5. Can I borrow books without buying them? Public Libraries: Local libraries offer a wide range of books for borrowing. Book Swaps: Community book exchanges or online platforms where people exchange books.
6. How can I track my reading progress or manage my book collection? Book Tracking Apps: Goodreads, LibraryThing, and Book Catalogue are popular apps for tracking your reading progress and managing book collections. Spreadsheets: You can create your own spreadsheet to track books read, ratings, and other details.
7. What are Goodman Ck Manual audiobooks, and where can I find them? Audiobooks: Audio recordings of books, perfect for listening while commuting or multitasking. Platforms: Audible, LibriVox, and Google Play Books offer a wide selection of audiobooks.
8. How do I support authors or the book industry? Buy Books: Purchase books from authors or independent bookstores. Reviews: Leave reviews on platforms like Goodreads or Amazon. Promotion: Share your favorite books on social media or recommend them to friends.

9. Are there book clubs or reading communities I can join? Local Clubs: Check for local book clubs in libraries or community centers. Online Communities: Platforms like Goodreads have virtual book clubs and discussion groups.
10. Can I read Goodman Ck Manual books for free? Public Domain Books: Many classic books are available for free as they're in the public domain. Free E-books: Some websites offer free e-books legally, like Project Gutenberg or Open Library.

### **Find Goodman Ck Manual :**

[in denial the stolen generations and the right](#)

[improving energy efficiency in buildings](#)

[in perfect light](#)

[in our own words a generation defining itselfpb2000](#)

[in pursuit of christcentered schools spiritual and practical meditations for christian educators](#)

**in contact 1 beginning scott foresman english tests**

[in pursuit of happiness](#)

**in defense of advertising**

[in and out of the apple](#)

[in one day](#)

[in lighter vein a collection of anecdote](#)

[in five seconds mused moments](#)

[in absence of light a of poetry and thought by c.p. kaestner](#)

**in fidelity by m. j. rose hardcover**

[in and out of care](#)

### **Goodman Ck Manual :**

*folclore intimo poesia vaso roto by valter hugo mae - Mar 29 2022*

web folclore intimo poesia vaso roto by valter hugo mae folclore íntimo librería el virrey may 17th 2020 folclore íntimo mae

valter hugo editorial vaso roto año de edición

**folclore íntimo vaso roto - Apr 29 2022**

web detalles páginas 188 formato 14x21 cm encuadernación rústica idioma portugués edición bilingüe isbn 978 84 15168 09



6

[il vento folle song and lyrics by giuni russo spotify](#) - May 31 2022

web choose a language this updates what you read on open spotify com

[folclore intimo poesia vaso roto old talentsprint com](#) - Nov 05 2022

web 4 folclore intimo poesia vaso roto 2020 12 08 both passionate and miraculous in nature i invite you to enjoy these poems they combine in a unique and cosmopolitan manner

**folclore intimo poesia vaso roto pdf uniport edu** - Jan 07 2023

web folclore intimo poesia vaso roto 2 8 downloaded from uniport edu ng on july 21 2023 by guest august october andrés barba 2015 a very adult novel about adolescence written

**folklore intimo poetry glass broken 15 89** - Mar 09 2023

web folklore intimo poetry glass broken 15 89 for sale título title folclore intimo poesia vaso roto editorial publisher vaso roto editorial

**il vento folle testo giuni russo angolo testi** - Jul 01 2022

web il vento folle testo canzone cantato da giuni russo ho piantato un giardino di pensieri e sentimenti in piena terra agitati dal vento dal

**leer en linea folclore intimo poesia vaso roto de valter** - Jun 12 2023

web feb 17 2021 folclore íntimo vaso roto el libro la poesía de valter hugo mãe afronta un trato directo y libre de prejuicios con el cuerpo e introduce la cultura pop sin miedo

**il vento folle song and lyrics by giuni russo spotify** - Oct 24 2021

web giuni russo song 1994

**folclore intimo poesia vaso roto eur 19 00 picclick** - Feb 08 2023

web folclore intimo poesia vaso roto eur 19 00 À vendre título title folclore intimo poesia vaso roto editorial publisher vaso roto editorial 174603464427

**folclore intimo poesia vaso roto eur 19 00 picclick it** - May 11 2023

web folclore intimo poesia vaso roto eur 19 00 in vendita título title folclore intimo poesia vaso roto editorial publisher vaso roto editorial

**folcloreintimopoesiavasoroto vault sensepost** - Sep 03 2022

web death without end vaso roto ediciones the experience of modernization the dizzying social changes that swept millions of people into the capitalist world and modernism in

**il vento folle song and lyrics by giuni russo spotify** - Sep 22 2021

web choose a language this updates what you read on open spotify com

**folklor unsurlarına yöneliş ve hamasi Şiir Çokbilgi com** - Aug 02 2022

web folklor unsurlarına yöneliş ve hamasi Şiir halkevleri vasıtasıyla gücünü ve sayısını arttıran bu tarz şiirler çoğunlukla öğretmen yazarlara aittir ahmet kutsi tecer in Ülkü

folclore intimo poesia vaso roto by valter hugo mae - Dec 26 2021

web april 8th 2020 folclore intimo poesía escogida mae valter hugo editorial vaso roto ediciones vaso roto ediciones traductor martín lópez vega colección poesia

**folclore intimo poesia vaso roto by valter hugo mae** - Nov 24 2021

web folclore intimo poesia vaso roto by valter hugo mae folclore intimo de mae valter hugo 978 84 15168 09 6 april 8th 2020 folclore intimo poesía escogida mae valter

folclore intimo poesia vaso roto by valter hugo mae - Apr 10 2023

web folclore intimo poesia vaso roto by valter hugo mae martín lopez vega en el ies javier garcía téllez april 12th 2020 es traductor de poetas portugueses o valter hugo m ã e

**folclore intimo poesia vaso roto by valter hugo mae** - Dec 06 2022

web folclore intimo poesia vaso roto by valter hugo mae folclore intimo mae valter hugo 374 00 52 años en el mundo librero con la más grande oferta editorial y mejor selección

folclore íntimo animal sospechoso - Jul 13 2023

web compra el libro de poesía folclore íntimo editorial vaso roto animal sospechoso

folclore íntimo vaso roto - Aug 14 2023

web folclore íntimo detalles páginas 188 formato 14 x 21 cm encuadernación rústica idioma portugués edición bilingüe traducción de martín lópez vega isbn 978 84

**folclore intimo poesia vaso roto api macstories** - Oct 04 2022

web you could buy guide folclore intimo poesia vaso roto or acquire it as soon as feasible you could speedily download this folclore intimo poesia vaso roto after getting deal

**folclore intimo poesia vaso roto uniport edu** - Feb 25 2022

web jul 18 2023 folclore intimo poesia vaso roto is available in our digital library an online access to it is set as public so you can download it instantly our book servers spans in

*folclore intimo poesia vaso roto by valter hugo mae* - Jan 27 2022

web folclore intimo poesia vaso roto by valter hugo mae libros de 8 poesia portuguesa librería rafael alberty may 25th 2020 solo un escritor fino sagaz irónico en su intento de

[acme a180 a220 manualzz](#) - May 31 2022

web ricambi spare parts ersatzteile pieces detachees repuestos a 220 basic a 230 1560294 short block ricambi spare parts ersatzteile pieces detachees repuestos b

**acme a 220 basic ersatzteilzeichnungen ersatzteil service de** - Nov 05 2022

web may 5 2021 apr 23 2013 anyone have an acme a220 with parts to sell 1 d dolomite792 member joined mar 28 2013 messages 26 location northern az tractor

**acme engines kohler power** - May 11 2023

web acme below are our available aftermarket spare parts for acme engines made by top quality manufacturers at competitive prices 30 days money back guarantee we ship

[acme a180 a220 pdf scribd](#) - Jul 01 2022

web buy online ignition coil spare parts in our store at the best price with worldwide shipping 3 year warranty valid for acme motori currency

**pdf acme a220 a230 pdfslide net** - Feb 25 2022

web ersatzteilliste acme motor a 220 997 139 tafel 1843 lüftergehäuse auspuff luftfilter blatt 2 von 2 pos teile nr stück bezeichnung abmessung norm bemerkung 1 005 93 4

[acme engine parts parts for acme motori earth](#) - Jun 12 2023

web we keep over 10 000 worth of acme parts in stock there were many different models used as well as variations of models trying to order parts from a parts list can be very

[ersatzteilliste für acme motor a 220](#) - Nov 24 2021

[coil a180 a220 acme motori ed00106a1100 s technidiscout](#) - Aug 02 2022

web spark ignition engin table of contents technical features special tools engine dismantling 1 engine identification 2 valves disassembly

[anyone have an acme a220 with parts to sell tractorbynet](#) - Sep 03 2022

web acme a180 a220 free download as pdf file pdf or read online for free engine manual for acme motors a180 a220

[acme motori a 220 basic manuals manualslib](#) - Mar 09 2023

web ricambi spare parts ersatzteile pieces detachees repuestos a 220 basic a 230 1560294 short block ricambi spare parts ersatzteile pieces detachees repuestos b

**replacement engines earth tools** - Jan 07 2023

web acme a 220 basic ersatzteilzeichnungen acme ersatzteilzeichnungen und teilelisten für a 220 basic wir verwenden nur

zwingend notwendige bzw essentielle cookies

**ersatzteilliste für acme motor a 220** - Jul 13 2023

web ersatzteilliste acme motor a 220 997 139 tafel 1843 lüftergehäuse auspuff luftfilter blatt 2 von 2 pos teile nr stück

bezeichnung abmessung norm bemerkung 1 005 93 4

acme motori a180 ignition coil asvarta - Apr 29 2022

web 1 ricambi spare parts ersatzteile pieces detachees repuestos ricambi spare parts ersatzteile pieces detachees repuestos

1560294 short block a 220 basic a

acme a220 a230 19n07w2p0klv documents and e books - Mar 29 2022

web created date 3 27 2013 7 12 06 pm

**acme a180 a220 at220 lombardini ro** - Aug 14 2023

web ricambi spare parts ersatzteile pieces detachees repuestos at 220 ohv a 180 a 220 cod a2740 short block a 180 std elest

cod b0456 short block a 220 std elest cod

cloud object storage amazon s3 amazon web services - Dec 26 2021

**acme a220 a230 pdf scribd** - Feb 08 2023

web a3411 std a220 at a3412 0 5 a3413 1 0 a3414 993010 746107 147132 a3426 std a220 at a3427 0 5 a3428 1 0 a3423 std

a180 a3424 0 5

acme a220 b p spark plugs glow plugs niterra sa ngk - Oct 04 2022

web other parts muffler fuel tanks launchers hydraulic pumps hydraulic parts parts clutch brakes transmissions special

mototiller lombardini motors intermotor kohler

**acme a220 youtube** - Jan 27 2022

web acme ersatzteilzeichnungen und teilelisten für at 220 ohv acme at 220 ohv ersatzteilzeichnungen wir verwenden nur

zwingend notwendige bzw essentielle

spare parts for acme engines dlastore com - Apr 10 2023

web acme motori a 220 basic manuals manuals and user guides for acme motori a 220 basic we have 1 acme motori a 220

basic manual available for free pdf download

**at 220 ohv a 180 a 220 ersatzteilservice wmv dresden** - Dec 06 2022

web find the best spark plugs for your acme a220 b p our part finder tool identifies spark plugs glow plugs or resistor cap

parts specifically for your vehicle

acme at 220 ohv ersatzteilzeichnungen ersatzteil service de - Oct 24 2021

a floating bottle selected poems of slow rabbit kindle edition - Sep 23 2022

web a floating bottle selected poems of slow rabbit ebook rabbit slow amazon in kindle store

a floating bottle selected chinese and english poems by slow rabbit - Apr 30 2023

web this is the first collection of poems in chinese and english written by slow rabbit it contains her thoughts on a variety of topics including life love family struggles and the mixture of loneliness and happiness

a floating bottle selected poems of slow rabbit kindle edition - Jan 28 2023

web a floating bottle selected poems of slow rabbit ebook rabbit slow amazon co uk kindle store

*a floating bottle selected chinese and english poems by slow rabbit* - Nov 25 2022

web a floating bottle selected chinese and english poems by slow rabbit rabbit slow amazon com au books

**floating bottle selected poems by rabbit slow abebooks** - Feb 26 2023

web a floating bottle selected chinese and english poems by slow rabbit chinese edition by slow rabbit and a great selection of related books art and collectibles available now at abebooks com

**a floating bottle selected poems of slow rabbit rabbit slow** - Aug 23 2022

web dec 19 2017 a floating bottle selected poems of slow rabbit rabbit slow on amazon com free shipping on qualifying offers a floating bottle selected poems of slow rabbit

**a floating bottle selected poems of slow rabbit e pdf** - Mar 18 2022

web a floating bottle selected poems of slow rabbit e 2 6 downloaded from uniport edu ng on may 7 2023 by guest on page after page it reveals poetry of exceptional insight and passion but also because it brings into focus the wide poetic range geographical formal and tonal of which richard murphy is master

**a floating bottle selected poems of slow rabbit goodreads** - Sep 04 2023

web dec 18 2017 this is the first collection of poems written by slow rabbit it contains her thoughts on a variety of topics including life love family struggles and the mixture of loneliness and happiness the ebook version has fixed layout and will work on fire tablets kindle for android kindle for ios kindle cloud reader it may work on

a floating bottle selected poems of slow rabbit e tanya long - May 20 2022

web a floating bottle selected chinese and english poems by slow rabbit slow rabbit 2018 10 05 this is the first collection of poems in chinese and english written by slow rabbit it contains her thoughts on a variety of topics including life love family struggles and the mixture of loneliness and happiness the ebook version has

*a floating bottle selected poems of slow rabbit e copy dotnbm* - Apr 18 2022

web slow rabbit e household words selected poems 1968 1996 selected poems and songs collected tales poems and other writings of edgar allan poe a slow bottle of wine touch the river floating city collecting bottle tops a floating bottle selected

poems of slow rabbit a floating commonwealth my journey selected poetry and

**a floating bottle selected chinese and english poems by slow rabbit** - Dec 27 2022

web oct 5 2018 this is the first collection of poems in chinese and english written by slow rabbit it contains her thoughts on a variety of topics including life

**a floating bottle selected poems of slow rabbit e** - Oct 05 2023

web this collection of more than 60 poems and writings will invite you to slow down lean in hold fast and to keep going in the midst of the uncertainty and unknown the already and not yet the

**a floating bottle selected poems of slow rabbit paperback** - Oct 25 2022

web a floating bottle selected poems of slow rabbit rabbit slow amazon com au books

**about rabbit poetry** - Feb 14 2022

web rabbit encourages poets to openly engage with auto biography history politics economics mathematics cultural analysis science the environment and all other aspects of real world experience recollection and interpretation founded by jessica l wilkinson rabbit publishes all things poetry poems reviews essays on poetry and poetics interviews

**selected chinese and english poems by slow rabbit alibris** - Jun 20 2022

web this is the first collection of poems in chinese and english written by slow rabbit it contains her thoughts on a variety of topics including life love family struggles and the mixture of loneliness and happiness

**a floating bottle selected poems of slow rabbit amazon** - Aug 03 2023

web a floating bottle selected poems of slow rabbit rabbit slow amazon sg books

**a floating bottle selected poems of slow rabbit kindle edition** - Mar 30 2023

web a floating bottle selected poems of slow rabbit ebook rabbit slow amazon com au books

[a floating bottle selected poems of slow rabbit kindle edition](#) - Jul 02 2023

web dec 18 2017 amazon com a floating bottle selected poems of slow rabbit ebook rabbit slow books

[a floating bottle selected poems of slow rabbit e](#) - Jul 22 2022

web and mortality a floating bottle selected chinese and english poems by slow rabbit aug 26 2022 this is the first collection of poems in chinese and english written by slow rabbit it contains her thoughts on a variety of topics including life love family struggles and the mixture of loneliness and happiness

[a floating bottle selected chinese and english poems by slow rabbit](#) - Jun 01 2023

web a floating bottle selected chinese and english poems by slow rabbit rabbit slow amazon sg books