

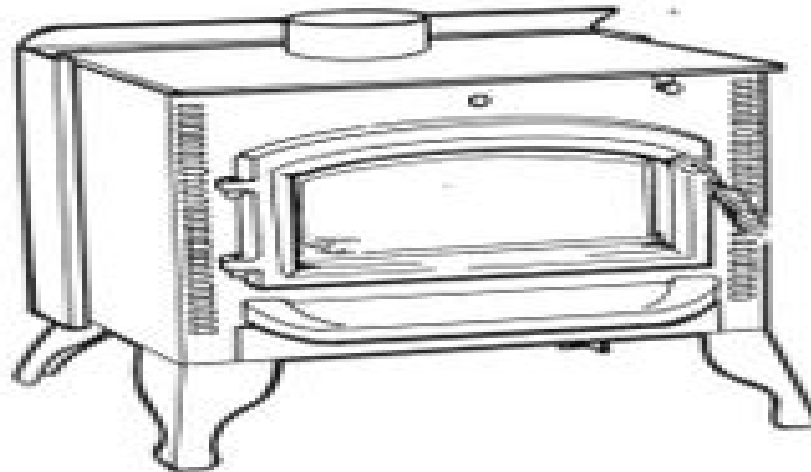
The Elmira Heating Stoves are listed to UL Standard S - 627 & UL 1482 by Warnock Hersey Professional Services Ltd.



Note: Warnock Hersey N.R.B. Number is 219.

Elmira Stove & Fireplace

Installation and Operating Instructions for the 900 Fireview Jr., 900 P Fireview Jr. on Pedestal, 1100 and 1200 Series Fireview Models



GENERAL INFORMATION

"SAFETY NOTICE: If this stove is not properly installed, a house fire may result. For your safety, follow the installation directions. Contact local building or fire officials about restrictions and installation inspection requirements in your area."

**SAVE THESE INSTRUCTIONS
FOR FUTURE REFERENCE.**

Elmira Wood Stove Manual

E Durkheim



Elmira Wood Stove Manual:

This is likewise one of the factors by obtaining the soft documents of this **Elmira Wood Stove Manual** by online. You might not require more get older to spend to go to the book establishment as without difficulty as search for them. In some cases, you likewise attain not discover the notice Elmira Wood Stove Manual that you are looking for. It will very squander the time.

However below, in the manner of you visit this web page, it will be fittingly very easy to get as capably as download lead Elmira Wood Stove Manual

It will not tolerate many times as we explain before. You can accomplish it though measure something else at home and even in your workplace. in view of that easy! So, are you question? Just exercise just what we come up with the money for under as without difficulty as evaluation **Elmira Wood Stove Manual** what you in the same way as to read!

https://staging.conocer.cide.edu/About/publication/HomePages/Fajjob_Guide_To_Become_A.pdf

Table of Contents Elmira Wood Stove Manual

1. Understanding the eBook Elmira Wood Stove Manual
 - The Rise of Digital Reading Elmira Wood Stove Manual
 - Advantages of eBooks Over Traditional Books
2. Identifying Elmira Wood Stove Manual
 - Exploring Different Genres
 - Considering Fiction vs. Non-Fiction
 - Determining Your Reading Goals
3. Choosing the Right eBook Platform
 - Popular eBook Platforms
 - Features to Look for in an Elmira Wood Stove Manual
 - User-Friendly Interface
4. Exploring eBook Recommendations from Elmira Wood Stove Manual
 - Personalized Recommendations

- Elmira Wood Stove Manual User Reviews and Ratings
- Elmira Wood Stove Manual and Bestseller Lists
- 5. Accessing Elmira Wood Stove Manual Free and Paid eBooks
 - Elmira Wood Stove Manual Public Domain eBooks
 - Elmira Wood Stove Manual eBook Subscription Services
 - Elmira Wood Stove Manual Budget-Friendly Options
- 6. Navigating Elmira Wood Stove Manual eBook Formats
 - ePub, PDF, MOBI, and More
 - Elmira Wood Stove Manual Compatibility with Devices
 - Elmira Wood Stove Manual Enhanced eBook Features
- 7. Enhancing Your Reading Experience
 - Adjustable Fonts and Text Sizes of Elmira Wood Stove Manual
 - Highlighting and Note-Taking Elmira Wood Stove Manual
 - Interactive Elements Elmira Wood Stove Manual
- 8. Staying Engaged with Elmira Wood Stove Manual
 - Joining Online Reading Communities
 - Participating in Virtual Book Clubs
 - Following Authors and Publishers Elmira Wood Stove Manual
- 9. Balancing eBooks and Physical Books Elmira Wood Stove Manual
 - Benefits of a Digital Library
 - Creating a Diverse Reading Collection Elmira Wood Stove Manual
- 10. Overcoming Reading Challenges
 - Dealing with Digital Eye Strain
 - Minimizing Distractions
 - Managing Screen Time
- 11. Cultivating a Reading Routine Elmira Wood Stove Manual
 - Setting Reading Goals Elmira Wood Stove Manual
 - Carving Out Dedicated Reading Time
- 12. Sourcing Reliable Information of Elmira Wood Stove Manual
 - Fact-Checking eBook Content of Elmira Wood Stove Manual

-
- Distinguishing Credible Sources
13. Promoting Lifelong Learning
 - Utilizing eBooks for Skill Development
 - Exploring Educational eBooks
 14. Embracing eBook Trends
 - Integration of Multimedia Elements
 - Interactive and Gamified eBooks

Elmira Wood Stove Manual Introduction

Elmira Wood Stove Manual Offers over 60,000 free eBooks, including many classics that are in the public domain. Open Library: Provides access to over 1 million free eBooks, including classic literature and contemporary works. Elmira Wood Stove Manual Offers a vast collection of books, some of which are available for free as PDF downloads, particularly older books in the public domain. Elmira Wood Stove Manual : This website hosts a vast collection of scientific articles, books, and textbooks. While it operates in a legal gray area due to copyright issues, its a popular resource for finding various publications. Internet Archive for Elmira Wood Stove Manual : Has an extensive collection of digital content, including books, articles, videos, and more. It has a massive library of free downloadable books. Free-eBooks Elmira Wood Stove Manual Offers a diverse range of free eBooks across various genres. Elmira Wood Stove Manual Focuses mainly on educational books, textbooks, and business books. It offers free PDF downloads for educational purposes. Elmira Wood Stove Manual Provides a large selection of free eBooks in different genres, which are available for download in various formats, including PDF. Finding specific Elmira Wood Stove Manual, especially related to Elmira Wood Stove Manual, might be challenging as theyre often artistic creations rather than practical blueprints. However, you can explore the following steps to search for or create your own Online Searches: Look for websites, forums, or blogs dedicated to Elmira Wood Stove Manual, Sometimes enthusiasts share their designs or concepts in PDF format. Books and Magazines Some Elmira Wood Stove Manual books or magazines might include. Look for these in online stores or libraries. Remember that while Elmira Wood Stove Manual, sharing copyrighted material without permission is not legal. Always ensure youre either creating your own or obtaining them from legitimate sources that allow sharing and downloading. Library Check if your local library offers eBook lending services. Many libraries have digital catalogs where you can borrow Elmira Wood Stove Manual eBooks for free, including popular titles. Online Retailers: Websites like Amazon, Google Books, or Apple Books often sell eBooks. Sometimes, authors or publishers offer promotions or free periods for certain books. Authors Website Occasionally, authors provide excerpts or short stories for free on their websites. While this might not be the Elmira Wood Stove Manual full book , it can give you a taste of

the authors writing style. Subscription Services Platforms like Kindle Unlimited or Scribd offer subscription-based access to a wide range of Elmira Wood Stove Manual eBooks, including some popular titles.

FAQs About Elmira Wood Stove Manual Books

1. Where can I buy Elmira Wood Stove Manual books? Bookstores: Physical bookstores like Barnes & Noble, Waterstones, and independent local stores. Online Retailers: Amazon, Book Depository, and various online bookstores offer a wide range of books in physical and digital formats.
2. What are the different book formats available? Hardcover: Sturdy and durable, usually more expensive. Paperback: Cheaper, lighter, and more portable than hardcovers. E-books: Digital books available for e-readers like Kindle or software like Apple Books, Kindle, and Google Play Books.
3. How do I choose a Elmira Wood Stove Manual book to read? Genres: Consider the genre you enjoy (fiction, non-fiction, mystery, sci-fi, etc.). Recommendations: Ask friends, join book clubs, or explore online reviews and recommendations. Author: If you like a particular author, you might enjoy more of their work.
4. How do I take care of Elmira Wood Stove Manual books? Storage: Keep them away from direct sunlight and in a dry environment. Handling: Avoid folding pages, use bookmarks, and handle them with clean hands. Cleaning: Gently dust the covers and pages occasionally.
5. Can I borrow books without buying them? Public Libraries: Local libraries offer a wide range of books for borrowing. Book Swaps: Community book exchanges or online platforms where people exchange books.
6. How can I track my reading progress or manage my book collection? Book Tracking Apps: Goodreads, LibraryThing, and Book Catalogue are popular apps for tracking your reading progress and managing book collections. Spreadsheets: You can create your own spreadsheet to track books read, ratings, and other details.
7. What are Elmira Wood Stove Manual audiobooks, and where can I find them? Audiobooks: Audio recordings of books, perfect for listening while commuting or multitasking. Platforms: Audible, LibriVox, and Google Play Books offer a wide selection of audiobooks.
8. How do I support authors or the book industry? Buy Books: Purchase books from authors or independent bookstores. Reviews: Leave reviews on platforms like Goodreads or Amazon. Promotion: Share your favorite books on social media or recommend them to friends.
9. Are there book clubs or reading communities I can join? Local Clubs: Check for local book clubs in libraries or

community centers. Online Communities: Platforms like Goodreads have virtual book clubs and discussion groups.

10. Can I read Elmira Wood Stove Manual books for free? Public Domain Books: Many classic books are available for free as they're in the public domain. Free E-books: Some websites offer free e-books legally, like Project Gutenberg or Open Library.

Find Elmira Wood Stove Manual :

[fabjob guide to become a](#)

[fagor tk 219 user guide](#)

[factory service manual for 65 c10](#)

[fahrenheit 45study pre ap guide answers](#)

[f350 fuse box location](#)

[fairy tales by martians english edition](#)

[factory reset htc mytouch 3g](#)

factoring ax² bx c hands on algebra worksheet

factors and zeros kuta

[faithless a tainted love serial english edition](#)

[faculty guide for bls and heartsaver courses](#)

[factory repair manual 2005 vw passat tdi](#)

[fahr tedder manual](#)

[factoring polynomials flowchart](#)

faces on faceless chairs english edition

Elmira Wood Stove Manual :

[fiedel max schule für violine band 2 ohne cd taschenbuch - Jan 08 2023](#)

web fiedel max schule für violine band 2 ohne cd andrea holzer rhomberg isbn 9783920470436 kostenloser versand für alle bücher mit versand und verkauf duch

[suchergebnis auf amazon de für fiedel max 4 violine - Aug 03 2022](#)

web fiedel max der große auftritt band 4 vorspielstücke für violine mit cd vorspielstücke zur violinschule fiedel max von andrea holzer rhomberg 1 januar 2006

fiedel max schule für violine band 4 mit cd 1 januar 2006 - Jul 14 2023

web fiedel max schule für violine band 4 mit cd 1 januar 2006 isbn kostenloser versand für alle bücher mit versand und verkauf duch amazon

fiedel max für violine band 4 alle noten de - Jun 13 2023

web fiedel max für violine band 4 schule mit audio online artikel empfehlen besetzung violine komponist andrea holzer rhomberg serie fiedel max schwierigkeit mittel

fiedel max schule fur violine band 4 mit cd und b pdf - Dec 27 2021

web you could purchase lead fiedel max schule fur violine band 4 mit cd und b or get it as soon as feasible you could quickly download this fiedel max schule fur violine band

fiedel max schule fur violine band 4 mit cd und b qr bonide - Nov 25 2021

web fiedel max der große auftritt 4 fiedelmax schule für violine violin wall chart leipziger allgemeine musikalische zeitung fiedel max der große auftritt 3 schule der

the title should be fiedel max schule für violine band 4 - Aug 15 2023

web mein sohn ist 11 jahre und spielt das 5 jahr violine er hat mit der vorschule und den ersten drei bänden von fiedel max begonnen in diesem band wird das spielen in der

fiedel max schule für violine band 2 mit cd 1 märz 2004 - Sep 04 2022

web fiedel max schule für violine band 2 mit cd 1 märz 2004 isbn kostenloser versand für alle bücher mit versand und verkauf duch amazon

fiedel max schule für violine band 4 mit online audio und - May 12 2023

web fiedel max schule für violine band 4 mit online audio und notenklammer alfons holzschuh musikverlag vhr3804 9783920470450 ohne cd amazon de bücher

fiedel max startseite - Feb 26 2022

web fiedel max für violine fiedel max für viola fiedel max für cello fiedel max weihnachten ausgaben für streichorchester

fiedel max für violine schule band 4 klavierbegleitung 2005 - Jun 01 2022

web entdecken sie fiedel max für violine schule band 4 klavierbegleitung 2005 pamphlet in der großen auswahl bei ebay kostenlose lieferung für viele artikel

fiedel max schule für violine band 5 mit downloadcode - Feb 09 2023

web fiedel max schule für violine band 5 mit downloadcode andrea holzer rhomberg isbn 9783940069733 kostenloser versand für alle bücher mit versand und verkauf

fiedel max schule fur violine band 4 mit cd und b copy - Sep 23 2021

web may 10 2023 [fiedel max schule fur violine band 4 mit cd und b](#) is available in our book collection an online access to it is set as public so you can get it instantly our book

fiedel max schule fur violine band 4 mit cd und b uniport edu - Jul 02 2022

web feb 22 2023 [fiedel max schule fur violine band 4 mit cd und b](#) that you are looking for it will utterly squander the time however below when you visit this web page it will be in

fiedel max schule fur violine band 4 mit cd und b copy - Dec 07 2022

web mar 31 2023 [fiedel max schule fur violine band 4 mit cd und b](#) 2 9 downloaded from uniport edu ng on march 31 2023 by guest [gleichzeitiges streichen von 2 saiten die](#)

fiedel max schule fur violine band 4 mit cd und b pdf ftp - Mar 30 2022

web 2 [fiedel max schule fur violine band 4 mit cd und b](#) 2021 03 17 [fiedel max schule fur violine band 4 mit cd und b](#) downloaded from ftp themontcalmclub com by guest

fiedel max schule fur violine band 4 mit cd und b music - Oct 05 2022

web [fiedel max schule fur violine band 4 mit cd und b virtual art suzuki violin school volume 1 piano accompaniment violinworks book 1 cd blackwell s of oxford](#)

fiedel max vorschule für violine amazon de - Oct 25 2021

web [fiedel max vorschule für violine andrea holzer rhomberg isbn 4031659038003 kostenloser versand für alle bücher mit versand und verkauf duch amazon](#)

fiedel max schule fur violine band 4 mit cd und b pdf book - Apr 30 2022

web jun 29 2023 thank you very much for downloading [fiedel max schule fur violine band 4 mit cd und b pdf](#) maybe you have knowledge people have see numerous time for

fiedel max schule fur violine band 4 mit cd und b copy - Nov 06 2022

web may 7 2023 this [fiedel max schule fur violine band 4 mit cd und b](#) but end up in malicious downloads rather than reading a good book with a cup of tea in the

fiedel max für violine - Apr 11 2023

web [bestellen andrea holzer rhomberg fiedel max vorschule violine klavierbegleitung klavierbegleitung zur vorschule die klavierbegleitungen sind vom schwierigkeitsgrad so](#)

fiedel max schule für violine band 1 mit cd paperback - Jan 28 2022

web [amazon in buy fiedel max schule für violine band 1 mit cd book online at best prices in india on amazon in read fiedel max schule für violine band 1 mit cd](#)

[fiedel max schule für violine band 1 inklusive audio download](#) - Mar 10 2023

web fiedel max schule für violine band 1 inklusive audio download andrea holzer rhomberg isbn 9783920470429 kostenloser versand für alle bücher mit versand

[brown bear brown bear what do you see a lift the flap board](#) - Jun 01 2022

web mar 8 2018 brown bear brown bear what do you see a lift the flap board book buy online at best price in ksa souq is now amazon sa martin jr mr bill carle eric carle eric books books children s books activities crafts games buy new sar 88 77 all prices include vat free returns free delivery on your first order select

[brown bear lift the flap by bill martin jr goodreads](#) - Mar 10 2023

web exuberantly coloured artwork and favourite animals make this rhythmic story the perfect introduction to looking and learning about colours each spread leads seamlessly into the next and young children will delight in eric s colourful

brown bear brown bear what do you see a lift the flap board book - Jul 02 2022

web mar 8 2018 a lift the flap edition of the bestselling brown bear brown bear what do you see exuberantly coloured artwork and favourite animals make this rhythmic story the perfect introduction to looking and learning about colours

brown bear lift the flap a lift the flap board book amazon es - Dec 27 2021

web brown bear lift the flap a lift the flap board book bill martin eric carle bill martin eric carle amazon es libros

[brown bear brown bear what do you see a lift the flap board](#) - Oct 05 2022

web buy brown bear brown bear what do you see a lift the flap board book online on amazon eg at best prices fast and free shipping free returns cash on delivery available on eligible purchase

[brown bear brown bear what do you see a lift the flap](#) - Jan 08 2023

web a lift the flap edition of the bestselling brown bear brown bear what do you see exuberantly coloured artwork and favourite animals make this rhythmic story the perfect introduction to looking and learning about colours

brown bear brown bear what do you see a lift the flap board - Jan 28 2022

web brown bear brown bear what do you see a lift the flap board book martin jr mr bill carle eric carle eric amazon pl książki

[brown bear brown bear what do you see a lift the flap](#) - Aug 03 2022

web a lift the flap edition of the bestselling brown bear brown bear what do you see exuberantly coloured artwork and favourite animals make this rhythmic story the perfect introduction to looking and learning about colours each spread leads seamlessly into the next and young children will delight in eric s colourful collage animals and simple

lift the tab brown bear brown bear what do you see 50th - Sep 04 2022

web with the complete and unabridged text and art of the classic brown bear story this lift the tab format celebrates the fiftieth anniversary with a brand new look and feel readers will discover the classic rhythmic text featuring colorful animals brought to life in eric carle s powerful collage art

[brown bear brown bear what do you see a lift the flap](#) - Feb 09 2023

web an enchanting lyrical text by bill martin jr illustrated by eric carle creator of the bestselling the very hungry caterpillar now appears in a lift the flap format exuberantly coloured artwork and favourite animals make this rhythmic story the perfect introduction to looking and learning about colours

[brown bear lift the flap board book eric carle and bi](#) - Apr 11 2023

web exuberantly coloured artwork and favourite animals make this rhythmic story the perfect introduction to looking and learning about colours each spread leads seamlessly into the next and young children will delight in eric s colourful

[brown bear lift the flap board book eric carle and bill martin jr](#) - Dec 07 2022

web brown bear lift the flap board book eric carle and bill martin jr penguin uk 9780241330340 books amazon ca *[story time brown bear brown bear what do you see interactive lift](#)* - Apr 30 2022

web let s read together today s book is brown bear brown bear what do you see by bill martin jr eric carle

[brown bear brown bear what do you see a lift the flap board](#) - Feb 26 2022

web a lift the flap edition of the bestselling brown bear brown bear what do you see exuberantly coloured artwork and favourite animals make this rhythmic story the perfect introduction to looking and learning about colours

[brown bear brown bear what do you see a lift the flap board](#) - Jun 13 2023

web board book an enchanting lyrical text by bill martin jr illustrated by eric carle creator of the bestselling the very hungry caterpillar now appears in a lift the flap format exuberantly coloured artwork and favourite animals make this rhythmic story the perfect introduction to looking and learning about colours

[brown bear brown bear what do you see a lift the flap board](#) - May 12 2023

web buy brown bear brown bear what do you see a lift the flap board book by martin jr mr bill carle eric carle eric online on amazon ae at best prices fast and free shipping free returns cash on delivery available on eligible purchase

[brown bear lift the flap 2018 edition open library](#) - Aug 15 2023

web brown bear brown bear what do you see by bill martin jr eric carle gwyneth paltrow martin undifferentiated martin bill jr bill martin 2018 penguin books limited edition in english brown bear lift the flap 2018 edition open library

[brown bear brown bear what do you see lift the flap](#) - Mar 30 2022

web brown bear brown bear what do you see lift the flap home children s picture books board novelty authors bill martin isbn 9780241330340 published 16 04 2018 binding board book pages 22 dimensions 186 x 184mm exuberantly coloured artwork and favourite animals make this rhythmic story the perfect introduction to looking

[brown bear lift the flap board book eric carle and bill martin jr](#) - Jul 14 2023

web brown bear lift the flap board book eric carle and bill martin jr martin jr mr bill 9780241330340 amazon com books buy

used 74 16

lift the tab brown bear brown bear what do you see 50th - Nov 06 2022

web sep 6 2016 in honor of its fiftieth anniversary the classic brown bear brown bear what do you see is available for the first time as a lift the tab board book with the complete and unabridged text and art of the classic brown bear story this lift the tab format celebrates the fiftieth anniversary with a brand new look and feel

toronto wikipedia - Sep 30 2023

web toronto is a single tier municipality governed by a mayor council system the structure of the municipal government is stipulated by the city of toronto act the mayor of toronto is elected by direct popular vote to serve as the chief executive of the city

toronto ontario kanada da saat kaç - Dec 10 2021

web oct 28 2023 toronto ontario kanada için şu anda saat kaç saat dilimi saat farkı güneşin doğuş ve batış saati

toronto gezi rehberi gezimanya - Aug 18 2022

web toronto hakkında bilinmesi gerekenler kanada nın en büyük şehri toronto yüksek yaşam standardına düşük suç oranına sahip temiz modern ve çok kültürlü yapısıyla gezmeniz gereken şehirlerdendir ontario eyaletinin başkentidir ve bu eyalet kanada nın İngilizce konuşulan eyaletlerindedir

the 15 best things to do in toronto tripadvisor - Apr 25 2023

web things to do in toronto ontario see tripadvisor s 682 684 traveler reviews and photos of toronto tourist attractions find what to do today this weekend or in november we have reviews of the best places to see in toronto visit top rated must see attractions

toronto news breaking daily news toronto com latest daily - Feb 09 2022

web here s what s going on in scarborough oct 25 to nov 5 2023 by toronto newsroom toronto com events include food truck festival community heights halloween nights of lights guided rouge walks art show and sale holiday bazaar

kategori toronto vikipedi - May 15 2022

web bu kategoride toplam 8 sayfa bulunmaktadır ve şu anda bunların 8 tanesi görülmektedir toronto

toronto ontario 2023 best places to visit tripadvisor - Mar 25 2023

web about toronto we ve heard toronto described as new york city run by the swiss and it s true you can find world class theater shopping and restaurants here but the sidewalks are clean and the people are friendly the best place to start is literally at the top the cn tower the tallest freestanding structure in the western hemisphere

toronto history capital canada britannica - Jul 17 2022

web toronto history capital canada prior to the arrival of europeans a number of first nations peoples inhabited the site of the

present city of toronto and the surrounding regions their seminomadic settlement patterns included using the toronto passage a portage from the mouth of the humber river to georgian bay as a trade route

[developer guests at doug ford family wedding got fast track](#) - Nov 08 2021

web 2 days ago toronto developer guests at doug ford family wedding got fast track zoning approvals from government there s fresh scrutiny of how premier doug ford s government issued dozens of fast track

30 top things to do in toronto canada tripsavvy - Nov 20 2022

web mar 25 2022 toronto is filled with fun interesting unique and exciting things to do whether you re on vacation or even if you call toronto home from the top of the cn tower to the largest collection of hockey memorabilia in the world these are 30 of the best activities and attractions the city has to offer 01 of 30

[city of toronto](#) - Jun 27 2023

web the official website for the city of toronto toronto is canada s largest city the fourth largest in north america and home to a diverse population of more than three million people

toronto fc kulüp profili transfermarkt - Mar 13 2022

web kulüp bilgileri toronto mls güncel kadro ve piyasa değerleri transferler söylentiler oyuncu istatistikleri fikstür haberler *university of toronto* - Jun 15 2022

web oct 3 2023 we wish to acknowledge this land on which the university of toronto operates for thousands of years it has been the traditional land of the huron wendat the seneca and the mississaugas of the credit today this meeting place is still the home to many indigenous people from across turtle island and we are grateful to have the

[portland trail blazers at toronto raptors game preview](#) - Jul 05 2021

web 2 days ago the portland trail blazers left philadelphia following a 126 98 loss and headed straight to toronto where they will face the raptors on monday night playing back to back games on the road is one

toronto wikipedi - Aug 30 2023

web toronto kanada nın en büyük şehri ve ticaret merkezi ontario eyaletinin başkentidir nüfusu yaklaşık 6 milyondur ve genelde İngilizce konuşulur nüfusunun 54 ünü göçmenler oluşturur chinatown greektown koreantown little italy little portugal gibi azınlık mahalleleri vardır

toronto history population climate facts britannica - Feb 21 2023

web oct 28 2023 toronto city capital of the province of ontario in southeastern canada on the northwestern shore of lake ontario it is the most populous metropolitan area in canada and the most important city in canada s most prosperous province

toronto ontario kanada günlük hava durumu accuweather - Apr 13 2022

web accuweather in toronto ontario kanada için genişletilmiş günlük hava tahminleriyle önümüzdeki saat ve günlerdeki hava durumuyla ilgili bilgi sahibi olun 90 güne kadar günlük en

toronto the canadian encyclopedia - Oct 20 2022

web mar 17 2013 toronto ontario incorporated as a city in 1834 population 2 794 356 2021 census 2 731 571 2016 census toronto is ontario s capital city canada s largest municipality and the fourth largest city in north america see also largest cities in canada by population it is made up of the former cities of toronto north york scarborough

toronto argonauts at ottawa redblacks odds picks and predictions - Sep 06 2021

web oct 28 2023 the toronto argonauts 15 2 and ottawa redblacks 4 13 meet saturday kickoff from td place is at 7 p m et cfl tsn below we analyze fanduel sportsbook s lines around the argonauts vs redblacks odds and make our expert cfl picks and predictions the 1st place argonauts failed to cover the spread as 9 point

visiting toronto city of toronto - Dec 22 2022

web toronto visitor map whether walking taking transit or biking the toronto visitor map is an effective resource to help you tour the city or even organize your stay ahead of time the map is an easy to read tool that highlights 55 points of interest with one side featuring the downtown core and the other side showing the entirety of the city

17 best things to do in toronto canada u s news travel - Sep 18 2022

web jun 26 2023 the best things to do in toronto ontario include exploring the distillery district taking in the views from atop the cn tower and eating at st lawrence market

things to do in toronto places to visit attractions - May 03 2021

web from major cultural institutions like toronto s royal ontario museum to beloved sports teams like the raptors and the maple leafs from stunning parks and beaches to iconic architecture like the cn tower it s hard to narrow down the top things to do in toronto when there are so many world class attractions whether you re visiting the city for a day

nike toronto toronto can nike com tr - Jan 11 2022

web toronto can nike com tr nike toronto in the eaton center 220 yonge st unit a038 phone number 416 591 0325

t c dışişleri bakanlığı toronto başkonsolosluğu - Oct 08 2021

web başkonsolosluk duyuruları dışişleri bakanlığı açıklamaları cumhuriyet in 100 yılı eğitim gezisi programı hakkında duyuru toronto başkonsolosluğu 29 09 2023 3 antalya diplomasi forumu toronto başkonsolosluğu 12 09 2023 sayın cumhurbaşkanımızın 30 ağustos mesajı toronto başkonsolosluğu 29 08 2023 2023 yılı aday

visit toronto destination toronto - May 27 2023

web wondering what to do in toronto with exciting attractions fun festivals major productions the city offers a daily adventure of things to do

toronto da gezilecek en iyi 10 yer tripadvisor - Jul 29 2023

web toronto bölgesinde çocuklarla birlikte yapılacak en popüler şeyler hangileri toronto gezilecek yerler toronto mutlaka yapılması gereken 2 227 şey için tripadvisor gezginlerinin 682 490 yorumuna ve fotoğrafına bak

toronto raptors vs philadelphia 76ers live stream tv - Jun 03 2021

web oct 28 2023 toronto had a 37 17 record last season when giving up fewer than 115 2 points the raptors scored an average of 112 9 points per game last year just two more points than the 110 9 the 76ers allowed

toronto raptors vs chicago bulls oct 27 2023 box scores - Aug 06 2021

web oct 27 2023 tor javon freeman liberty christian koloko markquis nowell ron harper jr chi lonzo ball justin lewis adama sanogo onuralp bitim toronto raptors vs chicago bulls oct 27 2023 player box

toronto travel lonely planet canada north america - Jan 23 2023

web toronto canada north america bright bustling and known for its diverse dining scene outstanding museums and happening nightlife toronto is a cosmopolitan city whose residents have roots across the globe start planning your trip