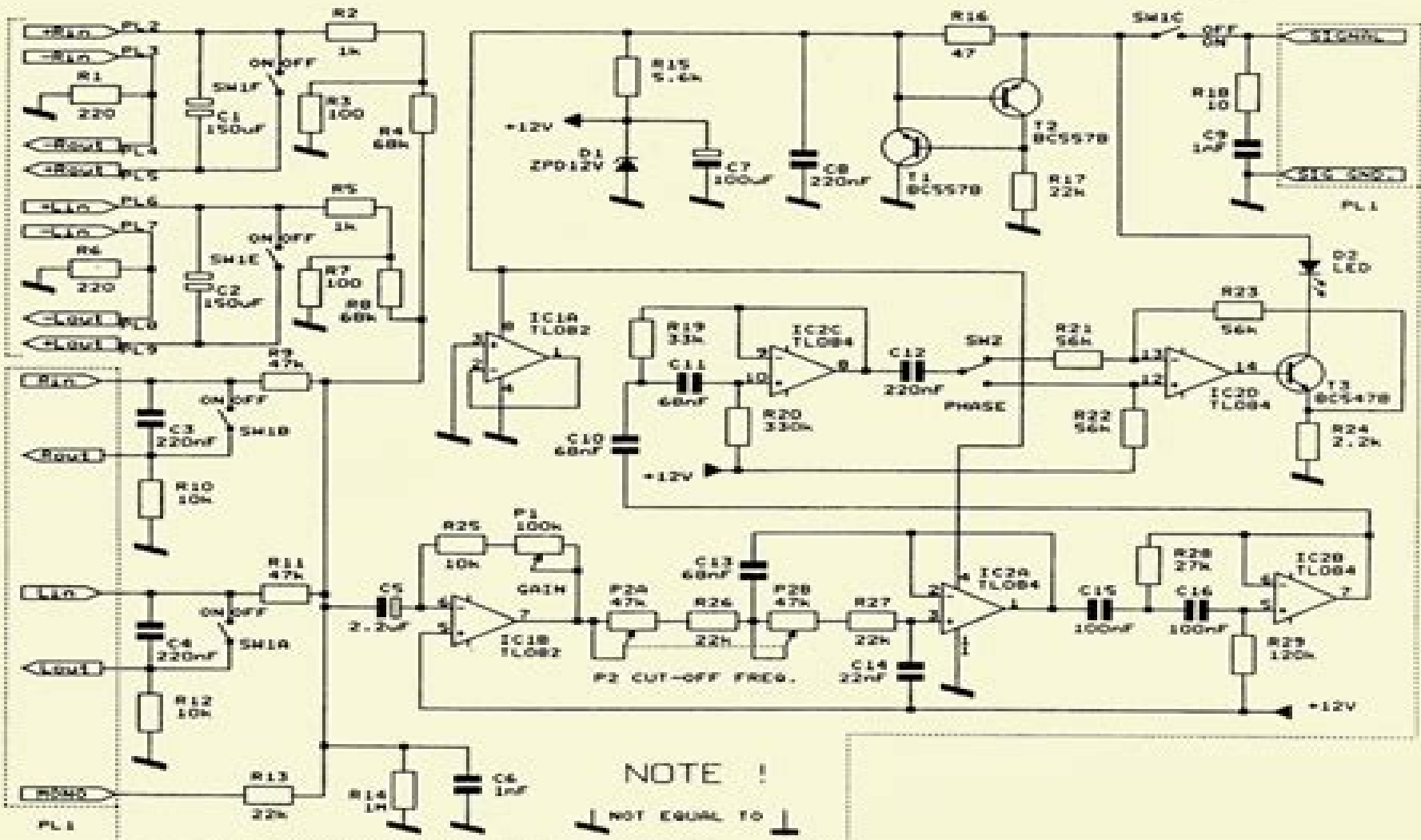


FM<MF 3FXDFTD



FM<MF FZHF

Eliwell Sw 600 Manual

Lingjun Ying



Eliwell Sw 600 Manual:

Right here, we have countless books **Eliwell Sw 600 Manual** and collections to check out. We additionally pay for variant types and then type of the books to browse. The all right book, fiction, history, novel, scientific research, as with ease as various other sorts of books are readily user-friendly here.

As this Eliwell Sw 600 Manual, it ends in the works living thing one of the favored book Eliwell Sw 600 Manual collections that we have. This is why you remain in the best website to see the incredible book to have.

https://staging.conocer.cide.edu/data/book-search/Download_PDFS/Handbook%20For%20Storytellers.pdf

Table of Contents Eliwell Sw 600 Manual

1. Understanding the eBook Eliwell Sw 600 Manual
 - The Rise of Digital Reading Eliwell Sw 600 Manual
 - Advantages of eBooks Over Traditional Books
2. Identifying Eliwell Sw 600 Manual
 - Exploring Different Genres
 - Considering Fiction vs. Non-Fiction
 - Determining Your Reading Goals
3. Choosing the Right eBook Platform
 - Popular eBook Platforms
 - Features to Look for in an Eliwell Sw 600 Manual
 - User-Friendly Interface
4. Exploring eBook Recommendations from Eliwell Sw 600 Manual
 - Personalized Recommendations
 - Eliwell Sw 600 Manual User Reviews and Ratings
 - Eliwell Sw 600 Manual and Bestseller Lists
5. Accessing Eliwell Sw 600 Manual Free and Paid eBooks
 - Eliwell Sw 600 Manual Public Domain eBooks

- Eliwell Sw 600 Manual eBook Subscription Services
- Eliwell Sw 600 Manual Budget-Friendly Options
- 6. Navigating Eliwell Sw 600 Manual eBook Formats
 - ePub, PDF, MOBI, and More
 - Eliwell Sw 600 Manual Compatibility with Devices
 - Eliwell Sw 600 Manual Enhanced eBook Features
- 7. Enhancing Your Reading Experience
 - Adjustable Fonts and Text Sizes of Eliwell Sw 600 Manual
 - Highlighting and Note-Taking Eliwell Sw 600 Manual
 - Interactive Elements Eliwell Sw 600 Manual
- 8. Staying Engaged with Eliwell Sw 600 Manual
 - Joining Online Reading Communities
 - Participating in Virtual Book Clubs
 - Following Authors and Publishers Eliwell Sw 600 Manual
- 9. Balancing eBooks and Physical Books Eliwell Sw 600 Manual
 - Benefits of a Digital Library
 - Creating a Diverse Reading Collection Eliwell Sw 600 Manual
- 10. Overcoming Reading Challenges
 - Dealing with Digital Eye Strain
 - Minimizing Distractions
 - Managing Screen Time
- 11. Cultivating a Reading Routine Eliwell Sw 600 Manual
 - Setting Reading Goals Eliwell Sw 600 Manual
 - Carving Out Dedicated Reading Time
- 12. Sourcing Reliable Information of Eliwell Sw 600 Manual
 - Fact-Checking eBook Content of Eliwell Sw 600 Manual
 - Distinguishing Credible Sources
- 13. Promoting Lifelong Learning
 - Utilizing eBooks for Skill Development
 - Exploring Educational eBooks

14. Embracing eBook Trends

- Integration of Multimedia Elements
- Interactive and Gamified eBooks

Eliwell Sw 600 Manual Introduction

In today's digital age, the availability of Eliwell Sw 600 Manual books and manuals for download has revolutionized the way we access information. Gone are the days of physically flipping through pages and carrying heavy textbooks or manuals. With just a few clicks, we can now access a wealth of knowledge from the comfort of our own homes or on the go. This article will explore the advantages of Eliwell Sw 600 Manual books and manuals for download, along with some popular platforms that offer these resources. One of the significant advantages of Eliwell Sw 600 Manual books and manuals for download is the cost-saving aspect. Traditional books and manuals can be costly, especially if you need to purchase several of them for educational or professional purposes. By accessing Eliwell Sw 600 Manual versions, you eliminate the need to spend money on physical copies. This not only saves you money but also reduces the environmental impact associated with book production and transportation. Furthermore, Eliwell Sw 600 Manual books and manuals for download are incredibly convenient. With just a computer or smartphone and an internet connection, you can access a vast library of resources on any subject imaginable. Whether you're a student looking for textbooks, a professional seeking industry-specific manuals, or someone interested in self-improvement, these digital resources provide an efficient and accessible means of acquiring knowledge. Moreover, PDF books and manuals offer a range of benefits compared to other digital formats. PDF files are designed to retain their formatting regardless of the device used to open them. This ensures that the content appears exactly as intended by the author, with no loss of formatting or missing graphics. Additionally, PDF files can be easily annotated, bookmarked, and searched for specific terms, making them highly practical for studying or referencing. When it comes to accessing Eliwell Sw 600 Manual books and manuals, several platforms offer an extensive collection of resources. One such platform is Project Gutenberg, a nonprofit organization that provides over 60,000 free eBooks. These books are primarily in the public domain, meaning they can be freely distributed and downloaded. Project Gutenberg offers a wide range of classic literature, making it an excellent resource for literature enthusiasts. Another popular platform for Eliwell Sw 600 Manual books and manuals is Open Library. Open Library is an initiative of the Internet Archive, a non-profit organization dedicated to digitizing cultural artifacts and making them accessible to the public. Open Library hosts millions of books, including both public domain works and contemporary titles. It also allows users to borrow digital copies of certain books for a limited period, similar to a library lending system. Additionally, many universities and educational institutions have their own digital libraries that provide free access to PDF books and manuals. These libraries often offer academic texts, research papers, and

technical manuals, making them invaluable resources for students and researchers. Some notable examples include MIT OpenCourseWare, which offers free access to course materials from the Massachusetts Institute of Technology, and the Digital Public Library of America, which provides a vast collection of digitized books and historical documents. In conclusion, Eliwell Sw 600 Manual books and manuals for download have transformed the way we access information. They provide a cost-effective and convenient means of acquiring knowledge, offering the ability to access a vast library of resources at our fingertips. With platforms like Project Gutenberg, Open Library, and various digital libraries offered by educational institutions, we have access to an ever-expanding collection of books and manuals. Whether for educational, professional, or personal purposes, these digital resources serve as valuable tools for continuous learning and self-improvement. So why not take advantage of the vast world of Eliwell Sw 600 Manual books and manuals for download and embark on your journey of knowledge?

FAQs About Eliwell Sw 600 Manual Books

1. Where can I buy Eliwell Sw 600 Manual books? Bookstores: Physical bookstores like Barnes & Noble, Waterstones, and independent local stores. Online Retailers: Amazon, Book Depository, and various online bookstores offer a wide range of books in physical and digital formats.
2. What are the different book formats available? Hardcover: Sturdy and durable, usually more expensive. Paperback: Cheaper, lighter, and more portable than hardcovers. E-books: Digital books available for e-readers like Kindle or software like Apple Books, Kindle, and Google Play Books.
3. How do I choose a Eliwell Sw 600 Manual book to read? Genres: Consider the genre you enjoy (fiction, non-fiction, mystery, sci-fi, etc.). Recommendations: Ask friends, join book clubs, or explore online reviews and recommendations. Author: If you like a particular author, you might enjoy more of their work.
4. How do I take care of Eliwell Sw 600 Manual books? Storage: Keep them away from direct sunlight and in a dry environment. Handling: Avoid folding pages, use bookmarks, and handle them with clean hands. Cleaning: Gently dust the covers and pages occasionally.
5. Can I borrow books without buying them? Public Libraries: Local libraries offer a wide range of books for borrowing. Book Swaps: Community book exchanges or online platforms where people exchange books.
6. How can I track my reading progress or manage my book collection? Book Tracking Apps: Goodreads, LibraryThing, and Book Catalogue are popular apps for tracking your reading progress and managing book collections. Spreadsheets:

You can create your own spreadsheet to track books read, ratings, and other details.

7. What are Eliwell Sw 600 Manual audiobooks, and where can I find them? Audiobooks: Audio recordings of books, perfect for listening while commuting or multitasking. Platforms: Audible, LibriVox, and Google Play Books offer a wide selection of audiobooks.
8. How do I support authors or the book industry? Buy Books: Purchase books from authors or independent bookstores. Reviews: Leave reviews on platforms like Goodreads or Amazon. Promotion: Share your favorite books on social media or recommend them to friends.
9. Are there book clubs or reading communities I can join? Local Clubs: Check for local book clubs in libraries or community centers. Online Communities: Platforms like Goodreads have virtual book clubs and discussion groups.
10. Can I read Eliwell Sw 600 Manual books for free? Public Domain Books: Many classic books are available for free as they're in the public domain. Free E-books: Some websites offer free e-books legally, like Project Gutenberg or Open Library.

Find Eliwell Sw 600 Manual :

handbook for storytellers

[handbook of flowers foliage and creative design](#)

[handbook of industrial energy conservation](#)

[handbook for writers >canadian ed.<](#)

[handbook of computational quantum chemistry](#)

handbook for planet observers

~~handbook for n r i~~

[handbook of financial markets--securities options futures](#)

[handbook of family law terms](#)

hampton and hampton beach postcard history postcard history

[handbook of american english spelling word power](#)

~~handbook of cardiothoracic surgery~~

~~hammer poems~~

handbook of international economic statistics sp 1999

[handbook for preclears](#)

Eliwell Sw 600 Manual :

cnowv2 cengage - Aug 08 2022

web transaction any business activity that changes assets liabilities or owner s equity withdrawal assets taken from the business for the owner s personal use study with

[how to find the answer key for cnow based assignments in](#) - May 05 2022

web expert solution trending now this is a popular solution step by step solved in 3 steps with 4 images see solution check out a sample q a here knowledge booster learn more

chapter 3 solutions financial acct2 with cengagenow printed - Jun 18 2023

web 1 shows all the balances of accounts of assets liabilities revenues and expenses 2 shows all the account codes 3 chart of accounts shows what does a company does over a

cengagenow accounting homework answers do my - Mar 03 2022

web open your cengage accounting answers in the editor which is quite user friendly you may use it to blackout redact write and erase text add photos draw arrows and lines

accounting textbooks online teaching tools for instructors - Oct 30 2021

chapter 2 solutions financial and managerial accounting - May 17 2023

web access financial and managerial accounting loose leaf version cengagenowv2 2 terms printed access card 13th edition

chapter 2 solutions now our solutions are

[cengagenowv2 online teaching and learning resource from](#) - Jan 01 2022

web the answer key indicates a correct answer provided by the question but might not be the only acceptable answer in tutorial questions if you skip a step the answer key is

cengage now exam 2 flashcards quizlet - Oct 10 2022

web view the correct answers for cnow activities was this helpful view the correct answers for activities in the learning path *view cnow answer keys cengage* - Jan 13 2023

web cnow answer keys answer keys view the correct answers for cnow activities click cnow click print next to any activity printing options window displays select full

chapter 1 solutions college accounting chapters 1 15 chegg - Jul 19 2023

web access college accounting chapters 1 15 available titles cengagenow 20th edition chapter 1 solutions now our solutions are written by chegg experts so you can be

[financial accounting textbook solutions and answers chegg](#) - Mar 15 2023

web bundle financial accounting 11th cengageow on blackboard printed access card 11th edition

answered cengageowv2 online teachin cengage bartleby - Apr 04 2022

web here at cengage math answers we have all the answers you need to succeed in your accounting class we offer over 3 000 questions and solutions written by leading

accounting cengage chapter 1 flashcards quizlet - Jul 07 2022

web study with quizlet and memorize flashcards containing terms like journal entries used to prepare temporary accounts for a new fiscal period journal entries recorded to update

financial accounting cengage notes and answers studocu - Sep 21 2023

web cengage 3 283 000 296500 380000 580000 liability equity asset 973 500 313000 338000 3225000 land building equipment 296 500

financial accounting 16th edition solutions and answers - Feb 14 2023

web now with expert verified solutions from financial accounting 16th edition you ll learn how to solve your toughest homework problems our resource for financial accounting

view answer keys cengage - Sep 09 2022

web empower students to master accounting concepts long before the exam with cengageowv2 offering real world practice activities and personalized learning for

financial accounting 15th edition textbook solutions bartleby - Dec 12 2022

web a focus on why accounting is important to business and a prosperous society is reinforced throughout with why it matters concept clip animations in cengageowv2 and a new

cengageowv2 for warren reeve duchacâ s accounting 27th - Aug 20 2023

web step 1 of 2 global accounting standards the accounting standards which are formed for the purpose of creating a parity in the accounting structure at global level step 2 of 2

cengage module 1 comprehensive problem 1 3 - Nov 11 2022

web cengage now exam 2 get a hint a balance sheet shows the click the card to flip financial position of a company at a particular date click the card to flip 1 31

accounting 1 final cengage flashcards quizlet - Jun 06 2022

web jun 9 2020 this video details how to find the answer key for cnow based assignments in mindtap it also goes over finding problem codes eliminating questions and repo

authentic threads accounting simulation answers pdf pdffiller - Feb 02 2022

web sign in or create a new account get trained get connected get support created with your every need in mind tlc provides

information on cengagenowv2 and offers

answer keys cengage - Nov 30 2021

web teaching an accounting course evaluate and adopt college accounting textbooks etextbooks and online learning platforms from cengage

chapter 6 solutions cengagenowv2 for rich jones - Apr 16 2023

web access cengagenowv2 for rich jones cornerstones of financial accounting 4th edition instant access 4th edition chapter 6 solutions now our solutions are written by chegg

ce8302 fm question papers fluid mechanics previous year - Jun 18 2023

web aug 14 2019 1 define density and weight density 2 define newton law of viscosity 3 what are the properties of ideal fluid 4 define specific volume and specific weight 5

ce3301 fluid mechanics fm notes part a part b - Jul 19 2023

web for ce8302 fm important questions answer key click here for ce8302 fm lecture handwritten notes click here search terms ce8302 fm question papers anna

anna university mechanics of fluids question papers nov dec 2013 - Nov 30 2021

anna university fluid mechanics important questions paper - Mar 03 2022

web oct 11 2023 anna university fluid mechanics important questions paper 1 10 downloaded from uniport edu ng on october 11 2023 by guest anna university fluid

mechanics of fluids ce8302 ce6303 anna university - Dec 12 2022

web question papercode 97027 examination 2014 semestor mechanics of fluids common enginoaring maximum marks an swer all part a time three

anna university fluid mechanics important questions paper - Oct 10 2022

web may 24 2019 anna university ce8302 fluid mechanics question papers is provided below ce8302 question papers are uploaded here here ce8302 question papers

fluid mechanics fm ce8302 notes question papers - Aug 20 2023

web dec 8 2022 anna university mcq q a notes question bank question paper for fluid mechanics fm ce8302 fm semester exams

anna university fluid mechanics question paper - Jan 01 2022

web aug 14 2015 anna university b e engineering chemistry cy8151 ist sem question paper april may 2019 regulation 2017 file size 262 kb file forma ma 8151

ce6303 mechanics of fluids page 1 studentsfocus - Nov 11 2022

web anna university fluid mechanics important questions paper foundations and applications of mechanics fluid mechanics
mar 15 2023 foundations and

anna university library - Feb 14 2023

web question bank common question papers all branches regulation 2012 semester subject ce 9211 fluid mechanics and
machinery nov dec 2011 6 mg 9362

pdf anna university fluid mechanics important questions paper - May 05 2022

web interested in advanced study and research in modern fluid mechanics a history and philosophy of fluid mechanics feb 24
2023 through the centuries the intricacies of

anna university fluid mechanics important questions paper - Feb 02 2022

web apr 15 2015 the anna university provides old question papers for fluid mechanics papers of fluid mechanics are use
full for students fluid mechanics is a branch of

ce6451 fluid mechanics and machinery question bank anna - Jun 06 2022

web this ssc mts previous year papers e book covers questions based on important sections including general intelligence
reasoning numerical aptitude english

university question papers anna university ce 8302 fluid - Mar 15 2023

web question bank b e mechanical engineering regulation 2015 semester subject year 4 ce 253 ce 291 ce 9211 fluid
mechanics and machinery nov dec 2013 3 me

ce8302 fluid mechanics important questions question bank - Oct 22 2023

web may 5 2019 ce8302 fluid mechanics is the anna university regulation 2017 3rd semester civil engineering subject
aunewsblog team shared some of the useful

ce8394 fmm question papers fluid mechanics and - May 17 2023

web aug 24 2022 anna university ce3391 fluid mechanics and machinery regulation 2021 syllabus notes important
questions question paper with answers previous

fluid mechanics and machinery ce8394 ce6451 brainkart - Aug 08 2022

web nov 18 2022 ai3311 fluid mechanics laboratory study materials anna university ai3311 fluid mechanics laboratory
regulation 2021 syllabus notes lab manual viva

ce3391 fluid mechanics and machinery notes important - Apr 16 2023

web feb 11 2021 anna university previous years old question papers question paper code 90102 b e b tech degree
examination november december 2019

[pdf ce8302 fluids mechanics fm books lecture](#) - Sep 21 2023

web apr 9 2020 download ce8302 fluids mechanics fm books lecture notes syllabus part a 2 marks with answers ce8302 fluids mechanics fm important part b 13

[anna university library](#) - Jan 13 2023

web important question and answer civil mechanics of fluids boundary layer ce6303 mechanics of fluids anna university 2013 regulation syllabus download pdf

ce8302 fluid mechanics question papers regulation 2017 - Sep 09 2022

web fluid mechanics and machinery important questions 2 download pdf fluid mechanics and machinery important questions download pdf fluid mechanics

anna university fluid mechanics important questions paper full - Apr 04 2022

web sep 24 2023 anna university fluid mechanics important questions paper 1 8 downloaded from uniport edu ng on september 24 2023 by guest anna university

[ai3311 fluid mechanics laboratory lab manual viva questions](#) - Jul 07 2022

web jun 15 2015 ce6451 fluid mechanics and machinery question bank free download download ce6451 fluid mechanics and machinery question bank b e mechanical

[pentecostal power lyrics charles h gabriel timeless truths](#) - May 12 2023

web lord as of old at pentecost thou didst thy power display with cleansing purifying flame descend on us today refrain lord send the old time power the pentecostal power thy floodgates of blessing on us throw open wide lord send the old time power the pentecostal power that sinners be converted and thy name glorified

pentecostal power hymn chords tvl parisbytrain com - Feb 09 2023

web april 27th 2018 pentecostal power the filler chords we exalt thee power in the blood power in the blood old fashioned bluegrass gospel hymn with pentecostal power lyrics by charles h gabriel may 2nd 2018 pentecostal power by charles h gabriel chords lyrics and tabs higher praise is your resource for all praise and worship and christian

[pentecostal power hymn chords home rightster com](#) - Oct 05 2022

web pentecostal power hymn chords 173 255 205 43 the hymn fake book a collection of over 1000 multi the open hymnal ap 303 how to play pentecostal amp gospel hymns apostolic pentecostal chords amp tabs by deicide 911tabs piano chord tips amp tricks pentecostal style piano historic hymnals song pentecostal power the in

[pentecostal power hymn chords media joomlashine com](#) - Feb 26 2022

web pentecostal power hymn chords april 16th 2018 ap 303 is a 12 lesson course that teaches how to sight read for beginners and how to use this to play hymns out of a hymnal the beginning part of the course teaches how to

pentecostal power chords by misc praise songs ultimate guitar - Aug 15 2023

web jun 5 2021 create and get 5 iq verse 1 g d7 lord as of old at pentecost g thou didst thy power display d with cleansing purifying flame a7 d descend on us today chorus g lord send the old time

[pentecostal power hymn chords media joomlashine com](#) - Aug 03 2022

web pentecostal power hymn chords pentecostal power the cyber hymnal may 1st 2018 lord as of old at pentecost thou didst thy power display with cleansing purifying flame descend on us today refrain lord send the old time power the pentecostal power piano chord tips amp tricks pentecostal style piano

pentecostal power hymn chords help environment harvard edu - Jul 02 2022

web as this pentecostal power hymn chords it ends in the works brute one of the favored books pentecostal power hymn chords collections that we have this is why you remain in the best website to look the amazing book to have when the holy ghost is come s l brengle 2005 12 01 it is the holy spirit who convicts us of sin who makes us feel

pentecostal power weekly hymn project youtube - Dec 07 2022

web may 1 2020 oh lord may it be lyrics lord as of old at pentecost thou didst thy power display with cleansing purifying flame descend on us today refrain lord send the old time power the

pentecost hymn chords by misc praise songs ultimate guitar - Jul 14 2023

web mar 21 2017 pentecost hymn chords by misc praise songs 466 views added to favorites 7 times this is the version of the song found in the worship hymnal by lifeway music was this info helpful author

[pentecostal power hymnary org](#) - Nov 06 2022

web 2 ye shall have power said jesus when the holy ghost is come your loosened tongues shall speak his praise your lips no more be dumb the timid shrinking ones be brave to reach a hand the lost to save 3 the wavering shall steadfast become the weak in faith be strong with holy boldness going forth

[pentecostal power hymn chords sam arabtravelers com](#) - Mar 30 2022

web 5 foundation come thou fount of every blessing count your blessings faith of our fathers god of our fathers higher ground how firm a foundation i love to tell the story i surrender all in the garden jesus paid it all just as i am a mighty fortress is our god nearer my god to thee the old rugged cross onward chri

pentecostal power hymn chords 2015eeglobalsip - Jun 01 2022

web apr 1 2023 pentecostal power hymn chords is available in our digital library an online access to it is set as public so you can get it instantly our books collection spans in multiple countries allowing you to get the most less latency time to download

pentecostal power hymn chords pdf free devy ortax - Apr 30 2022

web pentecostal power hymn chords pdf pages 2 19 pentecostal power hymn chords pdf upload mita p paterson 2 19
downloaded from devy ortax org on september 2 2023 by mita p paterson sunrise this anthem is one constant crescendo and
closes with the amazing cry may jesus christ be praised singing the glory down

pentecostal power hymn chords pdf tax clone ortax org - Jan 28 2022

web pentecostal power hymn chords pdf pages 3 12 pentecostal power hymn chords pdf upload betty a paterson 3 12
downloaded from tax clone ortax org on september 4 2023 by betty a paterson than a dozen biblical figures to illuminate the
fulfilling effects of worship including seven truths jesus revealed about the blessings of praise

pentecostal power hymn lyrics music youtube - Mar 10 2023

web oct 7 2017 pentecostal power christian song lyrics with orchestral backing music lyrics pentecostal power bh242 words
charles h gabrielmusic charles h gabrieltun

pentecostal power hymn lyrics music chords chordify - Jun 13 2023

web chords for pentecostal power hymn lyrics music eb ab db chordify is your 1 platform for chords grab your guitar ukulele
or piano and jam along in no time

chords for the song pentecostal power home rightster com - Sep 04 2022

web pentecostal power hymnary org misc praise songs pentecost hymn chords pentecostal power discipleship ministries
equipping chords for the song pentecostal power 100 chords songs only blanks1 pdf pentecostalism jesus pentacostal power
lyrics by charles h gabriel

pentecostal power hymnary org - Apr 11 2023

web representative text 1 lord as of old at pentecost thou didst thy power display with cleansing purifying flame descend on
us to day refrain lord send the old time power the pentecostal power thy floodgates of blessing on us throw open wide

pentecostal power hymn chords sam arabtravelers com - Dec 27 2021

web 2 pentecostal power hymn chords 2020 08 14 in the azusa street mission and revival cecil m robeck jr brings to bear
expertise from decades of focused study in church history to reveal the captivating story of the apostolic faith mission in los
angeles which became known as the azusa street mission sometimes the largest blaze

vincent bohanan sov pentecostal power pentecost service chords - Jan 08 2023

web ab gb fm ebm db chords for vincent bohanan sov pentecostal power pentecost service with key bpm and easy to follow
letter notes in sheet play with guitar piano ukulele or any instrument you choose