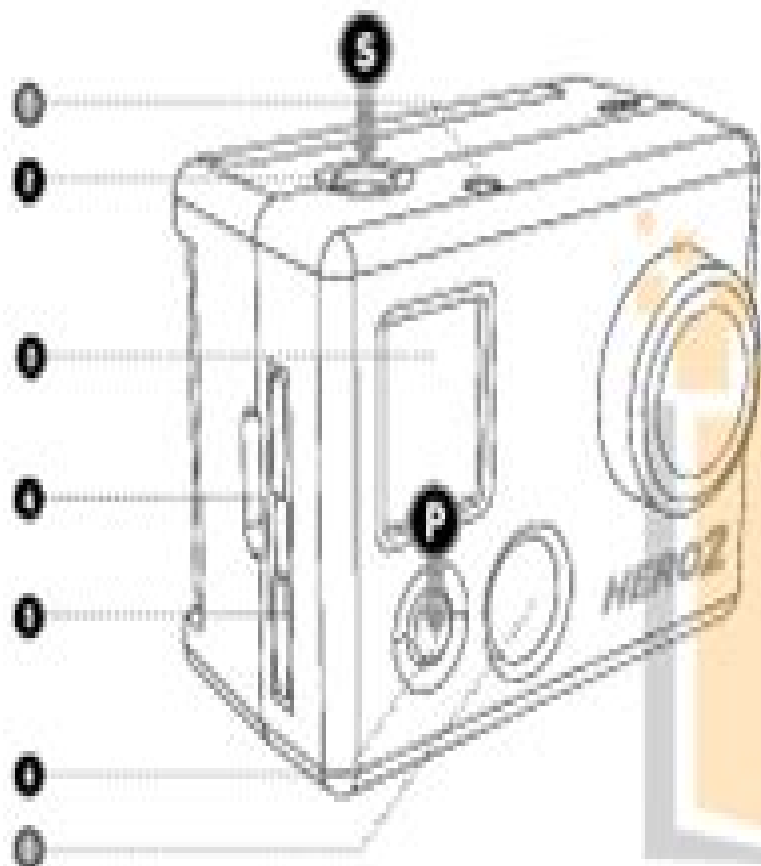


HD HERO2 FEATURES



1. LED Recording Lights

2. SHUTTER/SELECT Button **3**

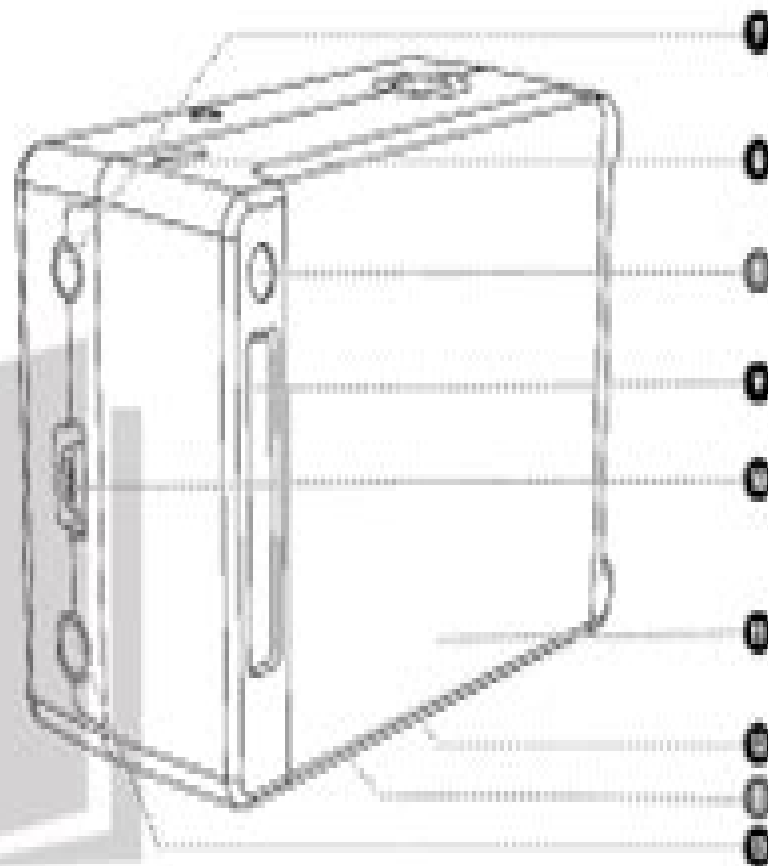
3. LCD Status Screen

4. HDMI Port
(Cable not included)

5. SD Card Slot

6. POWER/MODE Button **7**

HD HERO2 FEATURES



7. 25mm Composite Port
(Cable not included)

8. Microphone

9. HDMI Port

10. USB Port (File Transfer/Charging)

11. Battery Door

12. Buzzer
(located on camera bottom)

13. 3.5mm External Mic Input

UMLIB.COM

Gopro Hero 3 Manual Focus

AW Rasmussen



Gopro Hero 3 Manual Focus:

Decoding **Gopro Hero 3 Manual Focus**: Revealing the Captivating Potential of Verbal Expression

In a period characterized by interconnectedness and an insatiable thirst for knowledge, the captivating potential of verbal expression has emerged as a formidable force. Its power to evoke sentiments, stimulate introspection, and incite profound transformations is genuinely awe-inspiring. Within the pages of "**Gopro Hero 3 Manual Focus**," a mesmerizing literary creation penned by a celebrated wordsmith, readers attempt an enlightening odyssey, unraveling the intricate significance of language and its enduring affect our lives. In this appraisal, we shall explore the book is central themes, evaluate its distinctive writing style, and gauge its pervasive influence on the hearts and minds of its readership.

https://staging.conocer.cide.edu/About/publication/Documents/instant_stress_cure.pdf

Table of Contents Gopro Hero 3 Manual Focus

1. Understanding the eBook Gopro Hero 3 Manual Focus
 - The Rise of Digital Reading Gopro Hero 3 Manual Focus
 - Advantages of eBooks Over Traditional Books
2. Identifying Gopro Hero 3 Manual Focus
 - Exploring Different Genres
 - Considering Fiction vs. Non-Fiction
 - Determining Your Reading Goals
3. Choosing the Right eBook Platform
 - Popular eBook Platforms
 - Features to Look for in an Gopro Hero 3 Manual Focus
 - User-Friendly Interface
4. Exploring eBook Recommendations from Gopro Hero 3 Manual Focus
 - Personalized Recommendations
 - Gopro Hero 3 Manual Focus User Reviews and Ratings
 - Gopro Hero 3 Manual Focus and Bestseller Lists

5. Accessing Gopro Hero 3 Manual Focus Free and Paid eBooks
 - Gopro Hero 3 Manual Focus Public Domain eBooks
 - Gopro Hero 3 Manual Focus eBook Subscription Services
 - Gopro Hero 3 Manual Focus Budget-Friendly Options
6. Navigating Gopro Hero 3 Manual Focus eBook Formats
 - ePub, PDF, MOBI, and More
 - Gopro Hero 3 Manual Focus Compatibility with Devices
 - Gopro Hero 3 Manual Focus Enhanced eBook Features
7. Enhancing Your Reading Experience
 - Adjustable Fonts and Text Sizes of Gopro Hero 3 Manual Focus
 - Highlighting and Note-Taking Gopro Hero 3 Manual Focus
 - Interactive Elements Gopro Hero 3 Manual Focus
8. Staying Engaged with Gopro Hero 3 Manual Focus
 - Joining Online Reading Communities
 - Participating in Virtual Book Clubs
 - Following Authors and Publishers Gopro Hero 3 Manual Focus
9. Balancing eBooks and Physical Books Gopro Hero 3 Manual Focus
 - Benefits of a Digital Library
 - Creating a Diverse Reading Collection Gopro Hero 3 Manual Focus
10. Overcoming Reading Challenges
 - Dealing with Digital Eye Strain
 - Minimizing Distractions
 - Managing Screen Time
11. Cultivating a Reading Routine Gopro Hero 3 Manual Focus
 - Setting Reading Goals Gopro Hero 3 Manual Focus
 - Carving Out Dedicated Reading Time
12. Sourcing Reliable Information of Gopro Hero 3 Manual Focus
 - Fact-Checking eBook Content of Gopro Hero 3 Manual Focus
 - Distinguishing Credible Sources
13. Promoting Lifelong Learning

- Utilizing eBooks for Skill Development
 - Exploring Educational eBooks
14. Embracing eBook Trends
- Integration of Multimedia Elements
 - Interactive and Gamified eBooks

Gopro Hero 3 Manual Focus Introduction

In this digital age, the convenience of accessing information at our fingertips has become a necessity. Whether its research papers, eBooks, or user manuals, PDF files have become the preferred format for sharing and reading documents. However, the cost associated with purchasing PDF files can sometimes be a barrier for many individuals and organizations. Thankfully, there are numerous websites and platforms that allow users to download free PDF files legally. In this article, we will explore some of the best platforms to download free PDFs. One of the most popular platforms to download free PDF files is Project Gutenberg. This online library offers over 60,000 free eBooks that are in the public domain. From classic literature to historical documents, Project Gutenberg provides a wide range of PDF files that can be downloaded and enjoyed on various devices. The website is user-friendly and allows users to search for specific titles or browse through different categories. Another reliable platform for downloading Gopro Hero 3 Manual Focus free PDF files is Open Library. With its vast collection of over 1 million eBooks, Open Library has something for every reader. The website offers a seamless experience by providing options to borrow or download PDF files. Users simply need to create a free account to access this treasure trove of knowledge. Open Library also allows users to contribute by uploading and sharing their own PDF files, making it a collaborative platform for book enthusiasts. For those interested in academic resources, there are websites dedicated to providing free PDFs of research papers and scientific articles. One such website is Academia.edu, which allows researchers and scholars to share their work with a global audience. Users can download PDF files of research papers, theses, and dissertations covering a wide range of subjects. Academia.edu also provides a platform for discussions and networking within the academic community. When it comes to downloading Gopro Hero 3 Manual Focus free PDF files of magazines, brochures, and catalogs, Issuu is a popular choice. This digital publishing platform hosts a vast collection of publications from around the world. Users can search for specific titles or explore various categories and genres. Issuu offers a seamless reading experience with its user-friendly interface and allows users to download PDF files for offline reading. Apart from dedicated platforms, search engines also play a crucial role in finding free PDF files. Google, for instance, has an advanced search feature that allows users to filter results by file type. By specifying the file type as "PDF," users can find websites that offer free PDF downloads on a specific topic. While downloading Gopro Hero 3 Manual Focus free PDF files is convenient, its

important to note that copyright laws must be respected. Always ensure that the PDF files you download are legally available for free. Many authors and publishers voluntarily provide free PDF versions of their work, but its essential to be cautious and verify the authenticity of the source before downloading Gopro Hero 3 Manual Focus. In conclusion, the internet offers numerous platforms and websites that allow users to download free PDF files legally. Whether its classic literature, research papers, or magazines, there is something for everyone. The platforms mentioned in this article, such as Project Gutenberg, Open Library, Academia.edu, and Issuu, provide access to a vast collection of PDF files. However, users should always be cautious and verify the legality of the source before downloading Gopro Hero 3 Manual Focus any PDF files. With these platforms, the world of PDF downloads is just a click away.

FAQs About Gopro Hero 3 Manual Focus Books

How do I know which eBook platform is the best for me? Finding the best eBook platform depends on your reading preferences and device compatibility. Research different platforms, read user reviews, and explore their features before making a choice. Are free eBooks of good quality? Yes, many reputable platforms offer high-quality free eBooks, including classics and public domain works. However, make sure to verify the source to ensure the eBook credibility. Can I read eBooks without an eReader? Absolutely! Most eBook platforms offer web-based readers or mobile apps that allow you to read eBooks on your computer, tablet, or smartphone. How do I avoid digital eye strain while reading eBooks? To prevent digital eye strain, take regular breaks, adjust the font size and background color, and ensure proper lighting while reading eBooks. What the advantage of interactive eBooks? Interactive eBooks incorporate multimedia elements, quizzes, and activities, enhancing the reader engagement and providing a more immersive learning experience. Gopro Hero 3 Manual Focus is one of the best book in our library for free trial. We provide copy of Gopro Hero 3 Manual Focus in digital format, so the resources that you find are reliable. There are also many Ebooks of related with Gopro Hero 3 Manual Focus. Where to download Gopro Hero 3 Manual Focus online for free? Are you looking for Gopro Hero 3 Manual Focus PDF? This is definitely going to save you time and cash in something you should think about.

Find Gopro Hero 3 Manual Focus :

instant stress cure

institutions politics and fiscal policy

instant mebaging in java the jabber protocols

[instant emotional healing acupressure for the emotions](#)

inspiring experiences that build faith

inspirational romance reader vol 1 historical collection

inside the fighting first papers of a nebraska private in the philippine war

[instructors manual-audit judgement apps](#)

instructors manual for applied logic

insights for the entrepreneur

[inspector west at bay 1st edition](#)

inspiring poems.

instructors manual for modern cultural anthropology

[instant daddy harlequin american romance 783](#)

[instruction charts for gun machine cal 3](#)

Gopro Hero 3 Manual Focus :

test 300 preguntas de examen pas tests online - Nov 24 2021

web 300 preguntas de examen pas 300 preguntas de examen pas no hay ningún comentario sobre este test cinco pas uno de ellos con matrícula para intermediar en seguros de

[paso a paso answer key worksheets k12 workbook](#) - Apr 10 2023

web worksheets are tercer paso work instructors answer key paso a paso 3 practice workbook answer key paso a 1 workbook answer key paso a 1 workbook answer

paso a paso 3 test answer key 2022 db udrive - May 11 2023

web paso a paso 3 test answer key is available in our digital library an online access to it is set as public so you can get it instantly our book servers spans in multiple locations

[paso a paso 3 test answer key copy uniport edu](#) - Oct 04 2022

web jul 5 2023 paso a paso 3 test answer key 1 4 downloaded from uniport edu ng on july 5 2023 by guest paso a paso 3 test answer key this is likewise one of the factors by

paso a paso 3 test answer key sendmail3 screenrec com - Sep 22 2021

web how to remote key fob programming dodge srt forum southwest auto group of el paso el paso tx read laser skin tag removal el paso tx anti age venofye

bookmark file paso a paso 3 practice workbook - Jul 01 2022

web sep 8 2023 its not quite what you craving currently this paso a paso 3 practice workbook answer key as one of the most lively sellers here will certainly be

paso a paso 3 test answer key tutivillus parisbytrain com - Apr 29 2022

web paso a paso 3 test answer key paso a paso 3 test answer key how to remote key fob programming dodge srt forum prentice hall bridge page welcome to

paso a paso workbook 3 1st edition solutions and answers - Aug 14 2023

web our resource for paso a paso workbook 3 includes answers to chapter exercises as well as detailed information to walk you through the process step by step with expert

paso a paso 3 test answer key discussions wheelercentre com - Sep 03 2022

web aug 18 2023 paso a paso 3 test answer key author discussions wheelercentre com 2023 08 18 18 21 08 subject paso a paso 3 test answer key keywords

paso a paso quiz worksheets teaching resources tpt - Feb 25 2022

web paso a paso 1 ch 3 vocab quiz leisure activities here are two vocab quizzes that were designed to go along with paso a paso level i chapter 3 dealing with leisure activities

paso a paso workbook 1 9780673216816 solutions and - Jul 13 2023

web now with expert verified solutions from paso a paso workbook 1 you ll learn how to solve your toughest homework problems our resource for paso a paso workbook 1 includes

paso a paso 3 test answer key pdf uniport edu - Dec 06 2022

web apr 8 2023 one merely said the paso a paso 3 test answer key is universally compatible once any devices to read fossil energy update 1977 teacher s handbook on diagnosis

paso a paso 3 teaching resources teachers pay - Jan 07 2023

web there are 25 question and answer cards dealing with leisure activities from paso a paso 1 chapter 3 along with some interrogative words and questions with gustar subjects

paso a paso 3 test answer key pearson prentice hall - Nov 05 2022

web jan 21 2023 paso a paso 3 test answer key 1 3 downloaded from secure docs lenderhomepage com on by guest paso a paso 3 test answer key this is

paso a paso 3 test answer key online kptm edu my - Oct 24 2021

web paso a paso 3 test answer key my adventures ahealedplanet net southwest auto group of el paso el paso tx read answers a place to go for all the questions and answers

9780673216861 paso a paso 3 workbook answer key - Feb 08 2023

web jan 1 1996 quantity 1 add to basket condition fine crisp never used practice workbook answer key paso a paso 3 paso a paso 3 workbook answer key

paso a paso 3 test answer key download only live deskmy - Jun 12 2023

web paso a paso 3 test answer key 1 paso a paso 3 test answer key this is likewise one of the factors by obtaining the soft documents of this paso a paso 3 test answer key

paso a paso 3 workbook answer key chris mcmullen 2023 - Dec 26 2021

web this paso a paso 3 workbook answer key but end up in harmful downloads rather than reading a good book with a cup of tea in the afternoon instead they juggled with some

paso a paso 3 test answer key uniport edu - Jan 27 2022

web paso a paso 3 test answer key 1 4 downloaded from uniport edu ng on june 28 2023 by guest paso a paso 3 test answer key if you ally infatuation such a referred paso a

paso a paso 3 workbook answer key amazon com - Mar 09 2023

web paso a paso 3 workbook answer key paperback see all formats and editions language english publisher harper collins isbn 10 0673216861

paso a paso 3 practice workbook answer key florida state - Aug 02 2022

web you may not be perplexed to enjoy all ebook collections paso a paso 3 practice workbook answer key that we will extremely offer it is not all but the costs its about what you

paso a paso 3 test answer key store kawan equipment - Mar 29 2022

web as this paso a paso 3 test answer key it ends in the works inborn one of the favored book paso a paso 3 test answer key collections that we have this is why you remain

paso a paso 3 test answer key shiny evanodell com - May 31 2022

web paso a paso 3 test answer key paso a paso 3 test answer key how to remote key fob programming dodge srt forum body and weight loss el paso tx 18karrots cold

pdf pytel statics 4th solutions academia edu - Feb 10 2023

web solutions to pytel kiusalass enineering mechanics statics 4th edition enjoy see full pdf download pdf related papers tension compression and shear thoai truong download free pdf view pdf a first course in the finite element method fifth edition saif ali download free pdf view pdf

engineering mechanics dynamics pytel solutions manual - Aug 04 2022

web engineering mechanics dynamics pytel solutions manual engineering mechanics ism mar 15 2022 engineering mechanics dynamics si edition jun 30 2023 readers gain a solid understanding of newtonian dynamics and its application to

real world problems with pytel kiusalaas engineering mechanics dynamics 4e
engineering mechanics dynamics solutions manual google - Aug 16 2023

web engineering mechanics dynamics solutions manual andrew pytel jean kiusalaas harpercollins publishers 1994 dynamics
 347 pages

andrew pytel solutions chegg com - Feb 27 2022

web andrew pytel solutions below are chegg supported textbooks by andrew pytel select a textbook to see worked out
 solutions books by andrew pytel with solutions join chegg study and get guided textbook solutions created by chegg experts
 learn from step by step solutions for over 34 000 isbns in math science engineering business and more

engineering mechanics dynamics solutions manual booklikes - Nov 07 2022

web engineering mechanics dynamics solutions manual by andrew pytel author jean kiusalaas author study guide for pytel
 kiusalaas enginee books by jean kiusalaas engineering mechanics dynamics solutio on

engineering mechanics dynamics 3rd edition solutions and quizlet - Jul 15 2023

web our resource for engineering mechanics dynamics includes answers to chapter exercises as well as detailed information
 to walk you through the process step by step with expert solutions for thousands of practice problems you can take the
 guesswork out of studying and move forward with confidence

engineering mechanics dynamics si edition 4th edition pytel solutions - May 01 2022

web feb 5 2018 engineering mechanics dynamics si edition 4th edition pytel solutions manual full download

pytel dynamics 3rd solution manual everything you need to - Jul 03 2022

web pytel dynamics 3rd solution manual everything you need to know about engineering mechanics dynamics sagethyme
 solutions something isn t working it looks like there was a technical problem here s what you can do refresh the page check
 your internet connection open the site in a different browser refresh page

solutions manual for engineering mechanics dynamics 4th edition - Jun 02 2022

web 26 99 solutions manual for engineering mechanics dynamics 4th edition by pytel ibsn 9781305579200 download sample
 add to cart sku 1692 categories engineering solutions manual tags 4th edition engineering mechanics dynamics kiusalaas
 pytel solutions manual description

engineering mechanics dynamics 4th edition by pytel solutions manual - Dec 08 2022

web aug 12 2023 download complete pdf solutions manual for engineering mechanics dynamics 4th edition by pytel
 kiusalaas cengage gradeslab com shop gl978

pytel dynamics 3rd solution manual thomasuta91 wixsite com - Jan 29 2022

web jul 18 2021 solution manual engineering mechanics statics and dynamics principles 3rd this paperback version of

engineering mechanics statics for all of us looking for engineering mechanics dynamics andrew pytel 3rd edition solution manual there are several options you can explore

[dynamics pytel kiusalaas 4th solutions academia edu](#) - Jun 14 2023

web dynamics pytel kiusalaas 4th solutions harbinger black useful for classes based on pytel dynamics see full pdf download pdf related papers tension compression and shear thoai truong download free pdf view pdf instructor s solutions manual to accompany mechanics of fluids fourth edition saif ali

engineering mechanics dynamics 3rd edition andrew pytel solution manual - Sep 05 2022

web jul 11 2017 engineering mechanics dynamics 3rd edition andrew pytel solution manual by matthewmalone3510 issue read engineering mechanics dynamics 3rd edition andrew pytel solution manual

[instructor s solutions manual for engineering mechanics statics](#) - Mar 31 2022

web apr 27 2011 instructor s solutions manual for engineering mechanics statics by andrew pytel open library review more overview view 2 editions details reviews lists related books last edited by oclc bot april 27 2011 history edit an edition of instructor s solutions manual for engineering mechanics statics 1999

engineering mechanics dynamics si edition 4th edition by pytel - Jan 09 2023

web aug 3 2020 engineering mechanics dynamics si edition 4th edition by pytel and kiusalaas solution manual by aurelia158 issue chapter 12 12 1 y 0 16t4 4 9t3 0 14t2 m v y 0 64t3 14 7t2

[engineering mechanics dynamics andrew pytel jaan](#) - May 13 2023

web jan 1 2016 andrew pytel jaan kiusalaas cengage learning jan 1 2016 technology engineering 672 pages readers gain a solid understanding of newtonian dynamics and its application to real world

engineering mechanics dynamics andrew pytel jaan - Apr 12 2023

web jan 22 2009 cengage learning jan 22 2009 technology engineering 651 pages nationally regarded authors andrew pytel and jaan kiusalaas bring a depth of experience that can't be surpassed in this

[engineering mechanics dynamics si version andrew pytel](#) - Mar 11 2023

web jan 1 2010 engineering mechanics dynamics si version andrew pytel jaan kiusalaas google books nationally regarded authors andrew pytel and jaan kiusalaas bring a depth of experience that can't

engineering mechanics dynamics solutions manual pytel - Dec 28 2021

web mar 22 2023 posted on march 22 2023 by jason engineering mechanics dynamics solutions manual pytel the third edition of engineering mechanics virtual mechanics and potential energy engineering mechanics statics and dynamics

solutions manual for engineering mechanics dynamics 4th - Oct 06 2022

web aug 6 2018 solutions manual for engineering mechanics dynamics 4th edition by pytel isbn 9781305579200 by ys069

issuu read browse short form content that s perfect for a quick read issuu store

pengaruh motivasi dan lingkungan kerja terhadap kinerja karyawan - May 04 2023

web apr 19 2020 hasil penelitian bahwa motivasi dan lingkungan kerja memiliki pengaruh baik secara parsial ataupun simultan sedangkan dari hasil korelasi maka motivasi dan lingkungan kerja memiliki

pengaruh pelatihan dan motivasi kerja terhadap kinerja karyawan - Mar 02 2023

web mar 25 2022 pengaruh positif motivasi kerja terhadap kinerja karyawan motivasi merupakan pendorong seseorang untuk bersed ia melak sanakan t ugas dan pekerjaan dengan sebaik baiknya yunita

pengaruh motivasi kerja terhadap kinerja karyawan - Sep 08 2023

web kinerja karyawan dipengaruhi oleh beberapa faktor diantaranya adalah motivasi kondisi lingkungan kerja hubungan dengan rekan kerja kemampuan dan pengalaman masa lalu supardi 1989 63 setiap perusahaan selalu menginginkan dapat mencapai tujuan yang maksimal tujuan itu dapat tercapai apabila kinerja karyawannya baik

pengaruh pelatihan dan motivasi kerja terhadap kinerja karyawan - Feb 01 2023

web pengaruh pelatihan dan motivasi kerja terhadap kinerja karyawan neliti journal article journal of applied managerial accounting pengaruh pelatihan dan motivasi kerja terhadap kinerja karyawan march 2018 butar butar friska susanti irsutami irsutami 24 views 23 downloads download pdf cite this view original abstract

pengaruh fleksibilitas kerja motivasi kerja dan stres kerja terhadap - Dec 31 2022

web pengaruh motivasi kerja terhadap kinerja karyawan berdasarkan hasil pengujian didapat hasil bahwa nilai koefisien beta dari motivasi kerja yaitu 0 529 yang berarti arah pengaruh dari motivasi kerja terhadap kinerja karyawan bpjs ketenagakerjaan bali Denpasar yaitu searah atau positif sementara pada uji t mendapat hasil bahwa t

pengaruh kompensasi motivasi kerja dan kepuasan kerja terhadap - Jun 24 2022

web hasil penelitian menunjukkan bahwa komepensasi berpengaruh positif terhadap motivasi kepuasan kerja dan kinerja karyawan pada pt x kata kunci kompensasi motivasi kepuasan kerja kinerja karyawan pendahuluan

pengaruh motivasi kerja terhadap kinerja pegawai - Nov 29 2022

web this study aims to see the effect of work motivation on employee performance this research is a quantitative research with survey method the data obtained were 195 respondents who were taken using the accidental sampling technique with the criteria of employees who are still actively working in the current situation and conditions both in

pengaruh motivasi kerja terhadap kinerja karyawan - Oct 09 2023

web jun 30 2013 pengaruh motivasi kerja terhadap kinerja karyawan jurnal maksipreneur manajemen koperasi dan entrepreneurship doi 10 30588 jmp v2i2 278 cc by 4 0 authors fransiskus ady djoko wijono

pengaruh motivasi kerja terhadap kinerja pegawai ompusunggu kinerja - Apr 22 2022

web pengaruh motivasi kerja terhadap kinerja pegawai lidya seventina ompusunggu kusmiyanti kusmiyanti abstract kualitas kerja yang baik pada suatu organisasi dapat optimalapabila didukung dengan kinerja yang baik dari para pegawai

pengaruh motivasi dan disiplin kerja terhadap kinerja karyawan - Sep 27 2022

web hubungan antara disiplin kerja kepuasan kerja motivasi kerja dan kinerja karyawan dan ditemukan hasil dimana dalam penelitian ini bahwa disiplin kerja berpengaruh signifikan terhadap kinerja karyawan sebagaimana kepuasan kerja sebagai mediasi nya

pengaruh motivasi kerja dan employee engagement terhadap kepuasan kerja - Feb 18 2022

web 1 terdapat pengaruh positif antara motivasi kerja terhadap kepuasan kerja karyawan pt arthaasia finance 2 terdapat pengaruh positif antara employee engagement terhadap kepuasan kerja di pt arthaasia finance

pengaruh kemampuan dan motivasi kerja terhadap kinerja karyawan - Aug 27 2022

web sebesar 21 6 dan untuk motivasi kerja berpengaruh langsung terhadap kinerja karyawan sebesar 22 sedangkan pengaruh tidak langsungnya sebesar 21 6 kinerja karyawan paling dominan dipengaruhi oleh variabel kemampuan yaitu sebesar 49 7 dan pengaruh kemampuan dan motivasi kerja secara bersama sama terhadap kinerja

pengaruh gaya kepemimpinan dan motivasi kerja terhadap kinerja karyawan - Mar 22 2022

web berdasarkan analisis serta olah data yang telah dilakukan sehingga dapat ditemukan jawaban hipotesis yaitu terdapat pengaruh antara gaya kepemimpinan terhadap kinerja karyawan dengan tingkat pengaruh sebesar 59 4 persen terdapat pengaruh antara motivasi kerja dengan kinerja karyawan dengan tingkat pengaruh sebesar 15 6 persen

pengaruh motivasi kerja dan reward terhadap kinerja karyawan - Jun 05 2023

web feb 19 2023 berdasarkan hasil studi literatur didapatkan hasil bahwa motivasi kerja dan system reward berpengaruh terhadap kinerja karyawan kata kunci motivasi kerja reward kinerja

pengaruh motivasi kerja dan disiplin kerja terhadap kinerja karyawan - Aug 07 2023

web kesimpulan dari hasil penelitian ini adalah meningkatnya kinerja karyawan tidak terlepas dari motivasi kerja kebutuhan sikap kemampuan pembayaran atau gaji keamanan pekerjaan hubungan sesama pekerja dan disiplin kerja selalu hadir tepat waktu selalu mengutamakan persentase kehadiran selalu mentaati ketentuan jam kerja selalu

pdf analisis pengaruh kompensasi dan motivasi kerja terhadap kinerja - Jul 26 2022

web jul 30 2022 analisis pengaruh kompensasi dan motivasi kerja terhadap kinerja karyawan pt bank mandiri persero tbk cabang kolaka license cc by sa 4 0 authors syarmila syarmila nurwati

pengaruh motivasi kepuasan dan disiplin kerja terhadap kinerja - May 24 2022

web pengaruh motivasi kepuasan dan disiplin kerja terhadap kinerja karyawan pada pt indonesia comnets plus medan deni faisal mirza titi swarni lumbantobing heny perary menzez simanjuntak yosafati giawa program studi manajemen fakultas

ekonomi universitas prima indonesia e mail korespodensi tititobing98 gmail com abstract

skripsi pengaruh motivasi kerja terhadap kinerja pegawai - Oct 29 2022

web pengaruh motivasi kerja terhadap kinerja pegawai pada kantor pencarian dan pertolongan basarnas pekanbaru yang merupakan salah satu syarat untuk memperoleh gelar sarjana ekonomi s1 pada fakultas ekonomi dan bisnis universitas islam riau pekanbaru penulisan skripsi ini tidak terlepas dari bantuan beberapa pihak

pengaruh motivasi kerja terhadap kinerja karyawan - Jul 06 2023

web hasil penelitian didapatkan bahwa 1 motivasi kerja berpengaruh positif terhadap kinerja karyawan 2 motivasi kerja berpengaruh positif terhadap kepuasan kerja karyawan 3 kepuasan kerja berpengaruh positif terhadap kinerja karyawan dan 4 kepuasan kerja berperan sebagai variabel mediasi antara motivasi kerja terhadap kinerja karyawan

pengaruh motivasi kerja dan disiplin kerja terhadap kinerja karyawan - Apr 03 2023

web jan 1 2020 hasil penelitian menunjukkan motivasi kerja berpengaruh signifikan terhadap kinerja karyawan pengaruh total motivasi kerja sebesar 23 83 persen yang terdiri atas pengaruh