

SYSTEM WIRING DIAGRAMS

Article Text

1994 Volkswagen Golf III

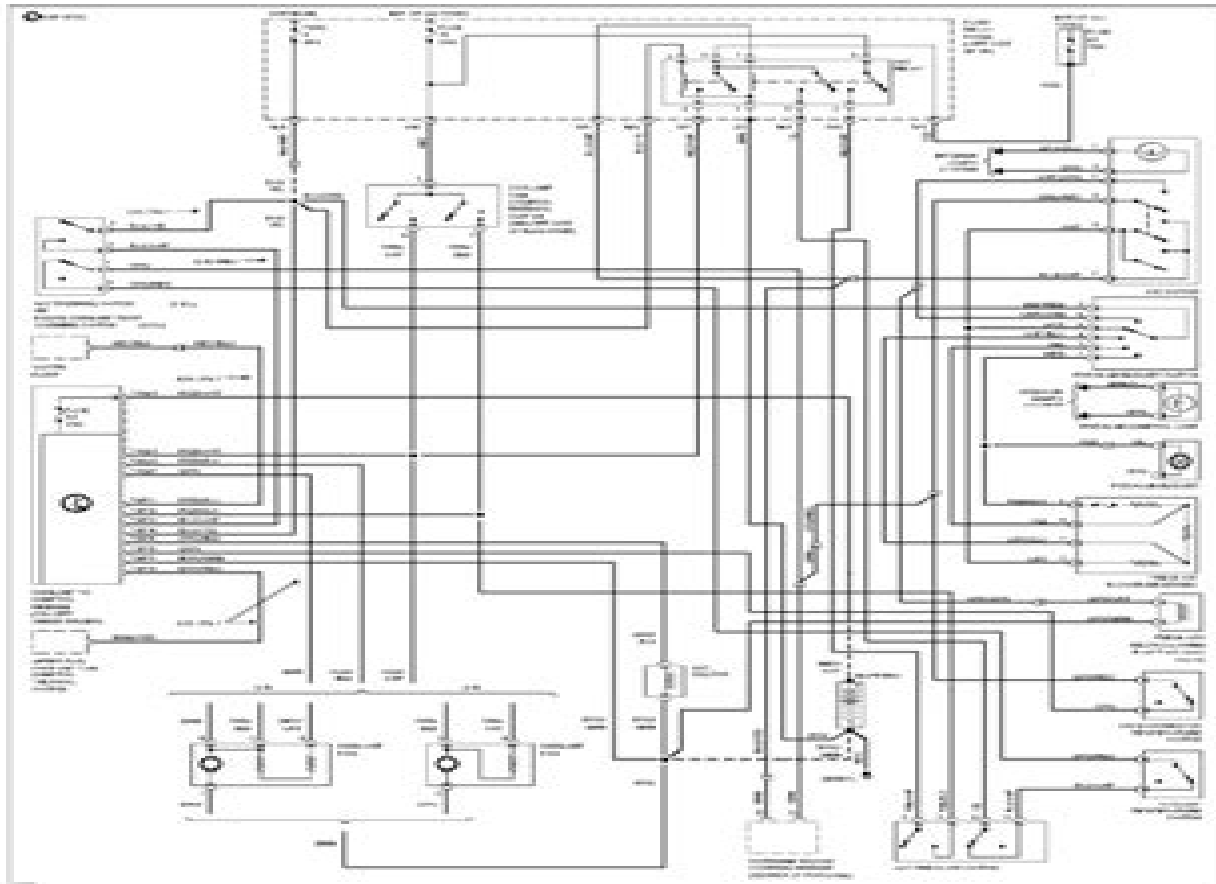
For Volkswagen Technical Site

Copyright © 1998 Mitchell Repair Information Company, LLC
Tuesday, December 07, 1999 11:19PM

ARTICLE BEGINNING

1994 System Wiring Diagrams
Volkswagen - Golf III

AIR CONDITIONING



A/C Circuit

Golf 3 Console Wiring System

Marcel A. Müller



Golf 3 Console Wiring System:

Volkswagen Jetta, Golf, GTI Service Manual Bentley Publishers,2003 Bentley Publishers is the exclusive factory authorized publisher of Volkswagen Service Manuals in the United States and Canada In every manual we provide full factory repair procedures specifications tolerances electrical wiring diagrams and lubrication and maintenance information Bentley manuals are the only complete authoritative source of Volkswagen maintenance and repair information Even if you never intend to service your car yourself you ll find that owning a Bentley Manual will help you to discuss repairs more intelligently with your service technician

Network World ,1988-12-19 For more than 20 years Network World has been the premier provider of information intelligence and insight for network and IT executives responsible for the digital nervous systems of large organizations Readers are responsible for designing implementing and managing the voice data and video systems their companies use to support everything from business critical applications to employee collaboration and electronic commerce

History of the NES (Nintendo Entertainment System) Brian C Byrne,Console Gamer Magazine,2019-02-12 The complete History of The Nintendo Entertainment System NES Famicom the greatest console of the 1980 s dives head first behind the scenes and shows you how the console was conceived the difficulties Nintendo faced as well as showcasing a complete list of hardware and software launched for the console From development kits and prototypes to unreleased never seen before games and software this truly is a must have in the collection of any retro gaming enthusiast This is the unofficial History of Nintendo Entertainment System NES Famicom for the gamers Introduction from the author Learn the development stories from top titles Beautifully designed book with 100 s of images 50 pages of content Complete hardware section Top 100 NES games of all time This is the third book in a series by Console Gamer Magazine Check out our other titles available on Google Play Books Amazon History of the Nintendo Entertainment System History of the Super Nintendo History of the Nintendo 64 Author Brian C Byrne Language English Only Series Console Gamer Magazine Website <http://www.consolegamer.com>

VW Golf & Jetta Automotive Repair Manual ,1997 Total Car Care is the most complete step by step automotive repair manual you ll ever use All repair procedures are supported by detailed specifications exploded views and photographs From the simplest repair procedure to the most complex trust Chilton s Total Car Care to give you everything you need to do the job Save time and money by doing it yourself with the confidence only a Chilton Repair Manual can provide

Index of Patents Issued from the United States Patent and Trademark Office ,1993

Official Gazette of the United States Patent and Trademark Office ,2003

Billboard ,1945-11-03 In its 114th year Billboard remains the world s premier weekly music publication and a diverse digital events brand content and data licensing platform Billboard publishes the most trusted charts and offers unrivaled reporting about the latest music video gaming media digital and mobile entertainment issues and trends

Chilton's Import Car Repair Manual, 1986 ,1985

Billboard ,1944-04-01 In its 114th year Billboard remains the world s premier weekly music publication and a diverse digital events

brand content and data licensing platform Billboard publishes the most trusted charts and offers unrivaled reporting about the latest music video gaming media digital and mobile entertainment issues and trends Research and Development Progress Report United States. Office of Saline Water,1969 **Index of Patents Issued from the United States Patent Office** United States. Patent Office,1973 pt 1 List of patentees pt 2 Index to subjects of inventions **History of Nintendo: Volume One (Console Gamer Magazine)** Brian C Byrne,2019-08-04 This is the History of Nintendo Volume One 3 in 1 collection of Console Gamer Magazine with over 140 full color pages of retro goodness In this volume we take a trip back to where it all began deep diving into the Nintendo Entertainment System then the Super Nintendo and finally the Nintendo 64 Get a peek behind the scenes and read how the consoles were conceived the difficulties Nintendo faced as well as showcasing a complete list of hardware and software launched for each console From development kits and prototypes to unreleased never seen before games and software this truly is a must have in the collection of any retro gaming enthusiast This is the first Volume Collection in the Console Gamer Magazine series and includes 01 History of the Nintendo Entertainment System NES 02 History of the Super Nintendo SNES 03 History of the Nintendo 64 N64 What s inside 3 Books in 1 140 pages of content Reviews development stories unreleased titles more Beautifully designed book with 100 s of images Complete hardware section Top 100 games of all time Available in both digital print First published August 2019 Author Brian C Byrne Language English Only Series Console Gamer Magazine Website <http://www.consolegammagazine.com>

Billboard ,1944-09-30 In its 114th year Billboard remains the world s premier weekly music publication and a diverse digital events brand content and data licensing platform Billboard publishes the most trusted charts and offers unrivaled reporting about the latest music video gaming media digital and mobile entertainment issues and trends *Billboard* ,1946-06-08 In its 114th year Billboard remains the world s premier weekly music publication and a diverse digital events brand content and data licensing platform Billboard publishes the most trusted charts and offers unrivaled reporting about the latest music video gaming media digital and mobile entertainment issues and trends **Official Gazette of the United States Patent Office** United States. Patent Office,1973 **Boating** ,1998-01 **Trade-marks Journal** ,1991-06 The Billboard ,1945 *Chilton's Import Car Manual* ,1991 *Mario Titles* ,

The Enigmatic Realm of **Golf 3 Console Wiring System**: Unleashing the Language is Inner Magic

In a fast-paced digital era where connections and knowledge intertwine, the enigmatic realm of language reveals its inherent magic. Its capacity to stir emotions, ignite contemplation, and catalyze profound transformations is nothing in short supply of extraordinary. Within the captivating pages of **Golf 3 Console Wiring System** a literary masterpiece penned with a renowned author, readers set about a transformative journey, unlocking the secrets and untapped potential embedded within each word. In this evaluation, we shall explore the book's core themes, assess its distinct writing style, and delve into its lasting affect the hearts and minds of those who partake in its reading experience.

https://staging.conocer.cide.edu/results/detail/default.aspx/Ez_Go_Txt_Transaxle_Service_Manual.pdf

Table of Contents Golf 3 Console Wiring System

1. Understanding the eBook Golf 3 Console Wiring System
 - The Rise of Digital Reading Golf 3 Console Wiring System
 - Advantages of eBooks Over Traditional Books
2. Identifying Golf 3 Console Wiring System
 - Exploring Different Genres
 - Considering Fiction vs. Non-Fiction
 - Determining Your Reading Goals
3. Choosing the Right eBook Platform
 - Popular eBook Platforms
 - Features to Look for in an Golf 3 Console Wiring System
 - User-Friendly Interface
4. Exploring eBook Recommendations from Golf 3 Console Wiring System
 - Personalized Recommendations
 - Golf 3 Console Wiring System User Reviews and Ratings
 - Golf 3 Console Wiring System and Bestseller Lists

5. Accessing Golf 3 Console Wiring System Free and Paid eBooks
 - Golf 3 Console Wiring System Public Domain eBooks
 - Golf 3 Console Wiring System eBook Subscription Services
 - Golf 3 Console Wiring System Budget-Friendly Options
6. Navigating Golf 3 Console Wiring System eBook Formats
 - ePub, PDF, MOBI, and More
 - Golf 3 Console Wiring System Compatibility with Devices
 - Golf 3 Console Wiring System Enhanced eBook Features
7. Enhancing Your Reading Experience
 - Adjustable Fonts and Text Sizes of Golf 3 Console Wiring System
 - Highlighting and Note-Taking Golf 3 Console Wiring System
 - Interactive Elements Golf 3 Console Wiring System
8. Staying Engaged with Golf 3 Console Wiring System
 - Joining Online Reading Communities
 - Participating in Virtual Book Clubs
 - Following Authors and Publishers Golf 3 Console Wiring System
9. Balancing eBooks and Physical Books Golf 3 Console Wiring System
 - Benefits of a Digital Library
 - Creating a Diverse Reading Collection Golf 3 Console Wiring System
10. Overcoming Reading Challenges
 - Dealing with Digital Eye Strain
 - Minimizing Distractions
 - Managing Screen Time
11. Cultivating a Reading Routine Golf 3 Console Wiring System
 - Setting Reading Goals Golf 3 Console Wiring System
 - Carving Out Dedicated Reading Time
12. Sourcing Reliable Information of Golf 3 Console Wiring System
 - Fact-Checking eBook Content of Golf 3 Console Wiring System
 - Distinguishing Credible Sources
13. Promoting Lifelong Learning

- Utilizing eBooks for Skill Development
 - Exploring Educational eBooks
14. Embracing eBook Trends
- Integration of Multimedia Elements
 - Interactive and Gamified eBooks

Golf 3 Console Wiring System Introduction

Free PDF Books and Manuals for Download: Unlocking Knowledge at Your Fingertips In today's fast-paced digital age, obtaining valuable knowledge has become easier than ever. Thanks to the internet, a vast array of books and manuals are now available for free download in PDF format. Whether you are a student, professional, or simply an avid reader, this treasure trove of downloadable resources offers a wealth of information, conveniently accessible anytime, anywhere. The advent of online libraries and platforms dedicated to sharing knowledge has revolutionized the way we consume information. No longer confined to physical libraries or bookstores, readers can now access an extensive collection of digital books and manuals with just a few clicks. These resources, available in PDF, Microsoft Word, and PowerPoint formats, cater to a wide range of interests, including literature, technology, science, history, and much more. One notable platform where you can explore and download free Golf 3 Console Wiring System PDF books and manuals is the internet's largest free library. Hosted online, this catalog compiles a vast assortment of documents, making it a veritable goldmine of knowledge. With its easy-to-use website interface and customizable PDF generator, this platform offers a user-friendly experience, allowing individuals to effortlessly navigate and access the information they seek. The availability of free PDF books and manuals on this platform demonstrates its commitment to democratizing education and empowering individuals with the tools needed to succeed in their chosen fields. It allows anyone, regardless of their background or financial limitations, to expand their horizons and gain insights from experts in various disciplines. One of the most significant advantages of downloading PDF books and manuals lies in their portability. Unlike physical copies, digital books can be stored and carried on a single device, such as a tablet or smartphone, saving valuable space and weight. This convenience makes it possible for readers to have their entire library at their fingertips, whether they are commuting, traveling, or simply enjoying a lazy afternoon at home. Additionally, digital files are easily searchable, enabling readers to locate specific information within seconds. With a few keystrokes, users can search for keywords, topics, or phrases, making research and finding relevant information a breeze. This efficiency saves time and effort, streamlining the learning process and allowing individuals to focus on extracting the information they need. Furthermore, the availability of free PDF books and manuals fosters a culture of continuous learning. By removing financial barriers, more people can access educational resources and pursue lifelong learning, contributing to personal

growth and professional development. This democratization of knowledge promotes intellectual curiosity and empowers individuals to become lifelong learners, promoting progress and innovation in various fields. It is worth noting that while accessing free Golf 3 Console Wiring System PDF books and manuals is convenient and cost-effective, it is vital to respect copyright laws and intellectual property rights. Platforms offering free downloads often operate within legal boundaries, ensuring that the materials they provide are either in the public domain or authorized for distribution. By adhering to copyright laws, users can enjoy the benefits of free access to knowledge while supporting the authors and publishers who make these resources available. In conclusion, the availability of Golf 3 Console Wiring System free PDF books and manuals for download has revolutionized the way we access and consume knowledge. With just a few clicks, individuals can explore a vast collection of resources across different disciplines, all free of charge. This accessibility empowers individuals to become lifelong learners, contributing to personal growth, professional development, and the advancement of society as a whole. So why not unlock a world of knowledge today? Start exploring the vast sea of free PDF books and manuals waiting to be discovered right at your fingertips.

FAQs About Golf 3 Console Wiring System Books

What is a Golf 3 Console Wiring System PDF? A PDF (Portable Document Format) is a file format developed by Adobe that preserves the layout and formatting of a document, regardless of the software, hardware, or operating system used to view or print it. **How do I create a Golf 3 Console Wiring System PDF?** There are several ways to create a PDF: Use software like Adobe Acrobat, Microsoft Word, or Google Docs, which often have built-in PDF creation tools. **Print to PDF:** Many applications and operating systems have a "Print to PDF" option that allows you to save a document as a PDF file instead of printing it on paper. **Online converters:** There are various online tools that can convert different file types to PDF. **How do I edit a Golf 3 Console Wiring System PDF?** Editing a PDF can be done with software like Adobe Acrobat, which allows direct editing of text, images, and other elements within the PDF. Some free tools, like PDFescape or Smallpdf, also offer basic editing capabilities. **How do I convert a Golf 3 Console Wiring System PDF to another file format?** There are multiple ways to convert a PDF to another format: Use online converters like Smallpdf, Zamzar, or Adobe Acrobat's export feature to convert PDFs to formats like Word, Excel, JPEG, etc. Software like Adobe Acrobat, Microsoft Word, or other PDF editors may have options to export or save PDFs in different formats. **How do I password-protect a Golf 3 Console Wiring System PDF?** Most PDF editing software allows you to add password protection. In Adobe Acrobat, for instance, you can go to "File" -> "Properties" -> "Security" to set a password to restrict access or editing capabilities. **Are there any free alternatives to Adobe Acrobat for working with PDFs?** Yes, there are many free alternatives for working with PDFs, such as:

LibreOffice: Offers PDF editing features. PDFsam: Allows splitting, merging, and editing PDFs. Foxit Reader: Provides basic PDF viewing and editing capabilities. How do I compress a PDF file? You can use online tools like Smallpdf, I LovePDF, or desktop software like Adobe Acrobat to compress PDF files without significant quality loss. Compression reduces the file size, making it easier to share and download. Can I fill out forms in a PDF file? Yes, most PDF viewers/editors like Adobe Acrobat, Preview (on Mac), or various online tools allow you to fill out forms in PDF files by selecting text fields and entering information. Are there any restrictions when working with PDFs? Some PDFs might have restrictions set by their creator, such as password protection, editing restrictions, or print restrictions. Breaking these restrictions might require specific software or tools, which may or may not be legal depending on the circumstances and local laws.

Find Golf 3 Console Wiring System :

~~ez go txt transaxle service manual~~

~~extreme papers economics o level marking scheme~~

~~example of a dcs case note~~

~~extended response questions and passages grade 4~~

exploring strategy text and cases 9th edition

~~ezgo engine rebuild manual~~

~~f21june 20paper mark scheme~~

ezgo golf cart service manual 2005

~~exterior angle theorem with variables~~

explore learning pulley lab key

~~eyed monkey english edition~~

~~extc sem 6 question papers~~

~~explore around kl travel guide~~

~~explore biology protein synthesis practice worksheet answer key~~

~~explore learning student exploration titration lab answer key~~

Golf 3 Console Wiring System :

~~tome 38 asterix 38 la fille de vercingétorix fnac - Dec 08 2022~~

~~web astérix tome 38 asterix 38 la fille de vercingétorix ed luxe rené gosciny albert uderzo didier conrad albert rene des~~

milliers de livres avec la livraison chez vous en 1 jour ou en magasin avec 5 de réduction

astérix artbook numéroté tome 38 asterix 38 la fille de - Jul 03 2022

web résumé voir tout effervescence et chamboulements en perspective la fille du célèbre chef gaulois vercingétorix traquée par les romains trouve refuge dans le village des irréductibles gaulois seul endroit dans la gaule occupée à pouvoir assurer sa protection

astérix tome 38 la fille de vercingétorix rené gosciny - Dec 28 2021

web oct 24 2019 résumé effervescence et chamboulements en perspective la fille du célèbre chef gaulois vercingétorix traquée par les romains trouve refuge dans le village des irréductibles gaulois seul endroit dans la gaule occupée à pouvoir assurer sa

astérix tome 38 la fille de vercingétorix 2864973421 cultura - Mar 31 2022

web astérix tome 38 la fille de vercingétorix aux éditions albert rene escortée par deux chefs arvernes une mystérieuse adolescente vient d arriver au village césar et ses légionnaires la recherchent et pour cause au village

les Éditions albert rené toutatis l é choppe d astérix - Feb 27 2022

web album astérix et la fille de vercingétorix tome 38 version luxe les editions albert rené

astérix la fille de vercingétorix n 38 format epub fixed layout - Jan 29 2022

web jun 9 2023 téléchargez le livre astérix la fille de vercingétorix n 38 de rené gosciny en ebook au format epub fixed layout sur vivlio et retrouvez le sur votre liseuse p

astérix la fille de vercingétorix n 38 rené gosciny albert - Mar 11 2023

web astérix la fille de vercingétorix n 38 rené gosciny albert uderzo jean yves ferri didier conrad amazon fr livres

la fille de vercingetorix a rene ast 38 ciltli kapak - Jan 09 2023

web la fille de vercingetorix a rene ast 38 gosciny rene amazon com tr kitap

asterix tome 38 la fille de vercingétorix a rene ast 38 - Oct 06 2022

web asterix tome 38 la fille de vercingétorix a rene ast 38 french edition rené gosciny albert uderzo didier conrad jean yves ferri amazon com au books books

astérix tome 38 la fille de vercingétorix livre de rené - Apr 12 2023

web la fille de vercingétorix est le fruit de la quatrième collaboration entre le scénariste jean yves ferri et le dessinateur didier conrad le duo toujours à pied d oeuvre pour imaginer de nouvelles aventures s inscrit dans le fabuleux univers créé

asterix 38 la fille de vercingétorix artbook a rene ast 38 - Aug 04 2022

web asterix 38 la fille de vercingétorix artbook a rene ast 38 amazon com tr kitap

la fille de vercingetorix a rene ast 38 gosciny rene - Jun 14 2023

web la fille de vercingetorix a rene ast 38 gosciny rene amazon com tr kitap

asterix tome 38 la fille de vercingétorix a rene ast 38 - Jul 15 2023

web nov 15 2019 asterix tome 38 la fille de vercingétorix a rene ast 38 french edition hardcover november 15 2019 french edition by rené gosciny author albert uderzo author didier conrad author jean yves ferri author 1 more

astérix tome 38 la fille de vercingétorix babelio - Nov 07 2022

web oct 24 2019 résumé escortée par deux chefs arvernes une mystérieuse adolescente vient d arriver au village césar et ses légionnaires la recherchent et pour cause au village on murmure que le père de la visiteuse ne serait autre que le grand vercingétorix lui même jadis vaincu à alésia ajouter une citation ajouter une critique acheter ce livre sur

astérix n° 38 la fille de vercingétorix hardcover amazon ca - Sep 05 2022

web la fille de vercingétorix porteuse de son torque et échappée de justesse au siège d alésia chaperonnée par deux chefs arvernes est censée incarnée le futur de la résistance gauloise et doit être cachée en angleterre pour échapper aux espions de césar qui veulent mettre la main dessus pour étouffer dans l oeuf toute rébellion

asterix la fille de vercingetorix no 38 french edition rene - May 13 2023

web oct 23 2019 cesar et ses legionnaires la recherchent et pour cause au village on murmure que le pere de la visiteuse ne serait autre que le grand vercingetorix lui meme jadis vaincu a alesia asterix et obelix les heros crees par rene gosciny et albert uderzo reviennent dans une nouvelle aventure la fille de vercingetorix

tome 38 asterix tome 38 la fille de vercingétorix fnac - Aug 16 2023

web oct 24 2019 astérix tome 38 asterix tome 38 la fille de vercingétorix rené gosciny albert uderzo didier conrad albert rene des milliers de livres avec la livraison chez vous en 1 jour ou en magasin avec 5 de réduction ou téléchargez la version ebook

album astérix et la fille de vercingétorix tome 38 version luxe - May 01 2022

web description depuis la défaite d alésia vercingétorix a confié sa fille adrénaline à deux arvernes ces derniers mettent la jeune fille en sécurité dans le village des irréductibles gaulois pendant que les deux tuteurs organisent la résistance avec d anciens combattants

astérix tome 38 la fille de vercingétorix de rené gosciny - Jun 02 2022

web oct 24 2019 astérix et obélix les héros créés par rené gosciny et albert uderzo reviennent dans une nouvelle aventure la fille de vercingétorix toujours imaginée par le fameux tandem jean yves ferri et didier conrad

asterix 38 la fille de vercingétorix ed luxe a rene ast 38 - Feb 10 2023

web asterix 38 la fille de vercingétorix ed luxe a rene ast 38 gosciny rené uderzo albert amazon com tr kitap

cuaderno lengua 3 primaria 3 trim saber hacer 978 - Jun 24 2022

web saber santillana cuaderno lengua 3 primaria 3 trim saber hacer 978 downloaded from mx skylightframe com by guest mooney jaslyn cuadernos domina lengua 3 expresión escrita 1 proyecto saber hacer lengua 3 educación primaria 2 trimestre cuadernolengu a 3 primariaproyecto saber hacer nuevas voces lengua 3

cuaderno lengua 3 primaria 1 trim saber hacer - Aug 27 2022

web 978 84 680 1287 2 ean 9788468012872 editorial santillana educación autor a aa vv colección saber hacer formato tapa blanda o bolsillo país de publicación españa idioma de publicación castellano idioma original castellano dimensiones

cuaderno lengua 3 primaria 2 trim saber hacer - Oct 09 2023

web arama yapmak istediğiniz kategoriye seçin

cuaderno lengua 3 primaria 2 trim saber hacer - Aug 07 2023

web comprar cuaderno lengua 3 primaria 2 trim saber hacer contigo 9788414111079 1 9788414111079 de grupo santillana 2018 editado por santillana educación s l envío gratis para clientes prime cuaderno lengua 3 primaria 2 trim saber hacer contigo 9788414111079 grupo santillana 2018

cuaderno lengua 3 primaria 3 trim saber hacer - Apr 03 2023

web 978 8468012896 edición n ° 1 editorial santillana educación s l fecha de publicación 2 julio 2014 idioma español longitud de impresión 48 páginas cuaderno lengua 4 primaria 1 trim saber hacer 9788468029573 cuaderno lengua castellana 4 primer trimestre grupo santillana 2015

cuaderno lengua 3 primaria 2 trim saber hacer - Jul 06 2023

web cuaderno lengua 3 primaria 2 trim saber hacer 9788468012889 by aa vv is at hand in our text assemblage an online access to it is set as public so you can get it instantly when people should go to the ebook retailers research start by boutique row by row it is in point of truly challenging

cuaderno lengua 3 primaria 3 trim saber hacer 978 anthony - Feb 18 2022

web proyecto saber hacer trébol método globalizado lengua 1 educación primaria 2 trimestre cuaderno pauta 2014 05 casa del saber 2018 arts and crafts 1 primary key ana salado 2011 04 04 with key arts and crafts your primary students can develop two areas of knowledge at the same time key competencies in the arts

cuaderno lengua 3 primaria 3 trim saber hacer 978 zoeykher - Mar 22 2022

web casa del saber lengua castellana 3 primaria puente lengua castellana lengua castellana 1 primaria lengua 3 primaria proyecto saber hacer lengua 3 educación primaria 2 trimestre cuaderno lengua lengua educacion primaria 3 ciclo cuaderno cuaderno de vacaciones repaso de lengua 3o primaria lengua cuaderno 3 de

cuaderno lengua 5 primaria 3 trim saber hacer - Nov 29 2022

web cuaderno lengua 5 primaria 3 trim saber hacer 9788468014579 tapa blanda 24 junio 2014 de grupo santillana 2014

autor 4 7 4 7 de 5 978 8468014579 edición n^o 1 editorial santillana educación s l fecha de publicación 24 junio 2014 idioma español dimensiones

cuaderno lengua 3 primaria 2 trim saber hacer - Sep 08 2023

web cuaderno lengua 3 primaria 2 trim saber hacer contigo amazon com tr kitap Çerez tercihlerinizi seçin Çerez bildirimimizde detaylandırıldığı üzere satın alım yapmanızı sağlamak alışveriş deneyiminizi geliştirmek ve hizmetlerimizi sunmak için gerekli olan çerezleri ve benzer araçları kullanıyoruz

cuaderno lengua 3 primaria 2 trim saber hacer - Apr 22 2022

web aug 27 2023 cuaderno lengua 3 primaria 2 trim saber hacer 9788468012889 by aa vv download cuaderno lengua 5 primaria 2 trim saber hacer cuaderno lengua 3 primaria 2 trim saber hacer de vv aa 978 cuaderno lengua 3 primaria 2 trim saber hacer contigo shc c e i p ribera del vena lengua 6 primaria santillana saber hacer tu

cuaderno lengua 3 primaria 2 trim saber hacer 978 copy - Jul 26 2022

web cuaderno de lengua pauta 2 primaria 3 trimestre conecta con pupi proyecto saber hacer nuevas voces lengua 3 educación primaria 1 trimestre cuaderno cuaderno de lengua 3 2 primaria cuaderno de lengua 3 trimestre 2 primaria cuadernos domina lengua 4 comprensión lectora 2 cuaderno de lengua cuadrícula 2 primaria 3

cuaderno lengua 5 primaria 2 trim saber hacer contigo - Oct 29 2022

web comprar cuaderno lengua 5 primaria 2 trim saber hacer contigo 9788468048888 educacion secundaria 1 9788468048888 de grupo santillana 2019 editado por santillana educación s l

cuaderno lengua 3 primaria 2 trim saber hacer - Mar 02 2023

web cuaderno lengua 3 primaria 2 trim saber hacer autor a vv aa vv aa editorial santillana educación isbn 978 84 680 1288 9 ean 9788468012889 dimensiones 287 x 220 mm peso 165 gramos n^o páginas 48 fecha publicación 03 07 2014 material enseñanza sí tipo material enseñanza

cuaderno lengua pauta 2 primaria 3 trim saber hacer - Jun 05 2023

web comprar cuaderno lengua pauta 2 primaria 3 trim saber hacer 9788468014791 1 9788468014791 de grupo santillana 2015 editado por santillana educación s l envío gratis para clientes prime cuaderno lengua pauta 2 primaria 3 trim saber hacer 9788468014791 grupo santillana 2015

cuaderno lengua 3 primaria 2 trim saber hacer 978 - Dec 31 2022

web lengua castellana cuaderno de trabajo 2 educacion primaria 3 ciclo cuaderno de lengua pauta 2 primaria 3 trimestre conecta con pupi delibros Nemitÿ 28 cuadernos domina lengua 4 comprensión lectora 2 diccionario general de bibliografía española el sistema los amantes 1868 cuaderno de lenguaje lengua castellana 2 educacion

cuaderno lengua pauta 2 primaria 3 trim saber hacer - Feb 01 2023

web cuaderno lengua pauta 2 primaria 3 trim saber hacer contigo autor a shc saber hacer contigo shc saber hacer contigo editorial santillana educación isbn 978 84 680 4382 1 sinopsis shc saber hacer contigo isbn 978 84 680 4382 1 ean 9788468043821 dimensiones

cuaderno lengua pauta 2 primaria 3 trim saber hacer contigo cuaderno - May 04 2023

web cuaderno lengua pauta 2 primaria 3 trim saber hacer contigo cuaderno lengua castellana 2 3 prim tercer trimestre saber hacer 9788468043821 grupo santillana 2018 amazon es libros

cuaderno lengua 3 primaria 1 trim saber hacer - Sep 27 2022

web 978 84 141 1234 2 ean 9788414112342 editorial santillana educación autor a shc saber hacer contigo colección shc saber hacer contigo formato tapa blanda o bolsillo país de publicación españa idioma de publicación castellano idioma original castellano dimensiones

cuaderno lengua 3 primaria 2 trim saber hacer 978 pdf - May 24 2022

web sep 10 2023 right here we have countless book cuaderno lengua 3 primaria 2 trim saber hacer 978 and collections to check out we additionally have the funds for variant types and moreover

medical surgical nursing critical thinking for - Apr 17 2022

web jul 22 2004 medical surgical nursing two volume text free study guide critical thinking for collaborative care 9781416002758 medicine health science books

critical thinking study guide for medical surgical nursing - Sep 22 2022

web jan 1 2006 medical surgical nursing critical thinking for collaborative care 5th edition 2 volumes ignatavicius 9780721606712 amazon com books books

medical surgical nursing critical thinking for collaborative care - Apr 29 2023

web jun 13 2008 medical surgical nursing critical thinking for collaborative care 2 volume set plus study guide 5th edition by m linda workman phd rn faan

medical surgical nursing critical thinking for collaborative care - Mar 17 2022

medical surgical nursing critical thinking for collaborative care - Jul 01 2023

web this innovative medical surgical resource features a unique collaborative approach that helps readers understand the multidisciplinary nature of medical surgical care by

medical surgical nursing critical thinking for - Nov 24 2022

web jul 15 2005 critical thinking study guide for medical surgical nursing critical thinking for collaborative care 9780721606149 medicine health science books

critical thinking study guide to accompany medical surgical - Aug 22 2022

web 1 critical thinking in the role of the medical surgical nurse 2 community based care 3 introduction to managed care and case management 4 introduction to

pdf medical surgical nursing patient centered - Jun 19 2022

web ignatavicius workman medical surgical nursing critical thinking for collaborative care 5th edition test bank chapter 2 community based care multiple choice

medical surgical nursing critical thinking for collaborative care - Dec 26 2022

web critical thinking study guide for medical surgical nursing critical thinking for collaborative care 4th edition free download borrow and streaming internet

medical surgical nursing critical thinking for collaborative care - Sep 03 2023

web medical surgical nursing critical thinking for collaborative care volume 1 donna d ignatavicius m linda workman saunders 2002 nursing 1949 pages the 4th

medical surgical nursing critical thinking for collaborative care - May 31 2023

web medical surgical nursing critical thinking for collaborative care donna d ignatavicius julie s snyder linda lea kerby m linda workman google books

medical surgical nursing critical thinking for collaborative - Feb 13 2022

pdf medical surgical nursing critical thinking for collaborative - Feb 25 2023

web summary the 4th edition of medical surgical nursing has been retooled from cover to cover to equip students for practice in the 21st century the book takes a

medical surgical nursing two volume text free study - Dec 14 2021

medical surgical nursing critical thinking for - Jul 21 2022

web medical surgical nursing critical thinking for collaborative care free download as pdf file pdf text file txt or read online for free test solutions

medical surgical nursing critical thinking for collaborative care - Jan 27 2023

web revised edition of medical surgical nursing across the health care continuum 3rd ed c1999 includes bibliographical references and index access restricted item

medical surgical nursing critical thinking for collaborative care - Mar 29 2023

web medical surgical nursing critical thinking for collaborative medical surgical nursing mar 29 2023 for courses in medical

surgical nursing students and instructors alike

medical surgical nursing critical thinking for collaborative care - May 19 2022

web accompanying cd rom part 9996004309 entitled student cd rom to accompany medical surgical nursing critical thinking for collaborative care includes

medical surgical nursing critical thinking for - Oct 04 2023

web bibliographic information title medical surgical nursing critical thinking for collaborative care volume 2 medical surgical nursing critical thinking for

medical surgical nursing critical thinking for - Nov 12 2021

medical surgical nursing critical thinking for collaborative care - Jan 15 2022

critical thinking study guide for medical surgical nursing critical - Oct 24 2022

web critical thinking study guide to accompany medical surgical nursing critical thinking for collaborative care fifth edition edited by donna d ignatavicius m linda workman

medical surgical nursing critical thinking for collaborative care - Aug 02 2023

web rev ed of medical surgical nursing across the health care continuum 3rd ed c1999 includes bibliographical references and index mode of access internet access