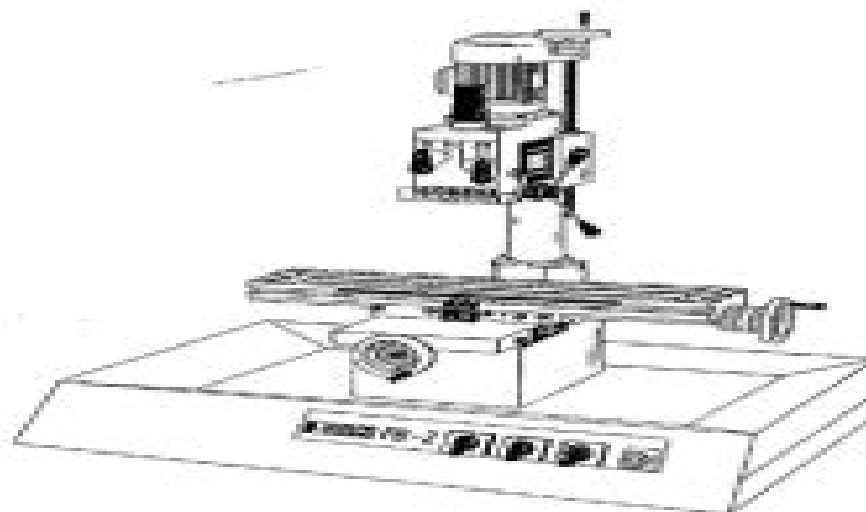


Mode d'emploi
EMCO FB-2
Perceuse-Fraiseuse à
mouvements croisés



Edition 1996

Réf. No. FR 2456

Mode d'emploi

EMCO FB-2

B96-2 FR 2456



Emco Fb2 User Guide

Ian Pickup



Emco Fb2 User Guide:

Reviewing **Emco Fb2 User Guide**: Unlocking the Spellbinding Force of Linguistics

In a fast-paced world fueled by information and interconnectivity, the spellbinding force of linguistics has acquired newfound prominence. Its capacity to evoke emotions, stimulate contemplation, and stimulate metamorphosis is really astonishing. Within the pages of "**Emco Fb2 User Guide**," an enthralling opus penned by a very acclaimed wordsmith, readers embark on an immersive expedition to unravel the intricate significance of language and its indelible imprint on our lives. Throughout this assessment, we shall delve in to the book is central motifs, appraise its distinctive narrative style, and gauge its overarching influence on the minds of its readers.

https://staging.conocer.cide.edu/data/uploaded-files/default.aspx/La_Haute_Savoie_Partie.pdf

Table of Contents Emco Fb2 User Guide

1. Understanding the eBook Emco Fb2 User Guide
 - The Rise of Digital Reading Emco Fb2 User Guide
 - Advantages of eBooks Over Traditional Books
2. Identifying Emco Fb2 User Guide
 - Exploring Different Genres
 - Considering Fiction vs. Non-Fiction
 - Determining Your Reading Goals
3. Choosing the Right eBook Platform
 - Popular eBook Platforms
 - Features to Look for in an Emco Fb2 User Guide
 - User-Friendly Interface
4. Exploring eBook Recommendations from Emco Fb2 User Guide
 - Personalized Recommendations
 - Emco Fb2 User Guide User Reviews and Ratings
 - Emco Fb2 User Guide and Bestseller Lists

5. Accessing Emco Fb2 User Guide Free and Paid eBooks
 - Emco Fb2 User Guide Public Domain eBooks
 - Emco Fb2 User Guide eBook Subscription Services
 - Emco Fb2 User Guide Budget-Friendly Options
6. Navigating Emco Fb2 User Guide eBook Formats
 - ePub, PDF, MOBI, and More
 - Emco Fb2 User Guide Compatibility with Devices
 - Emco Fb2 User Guide Enhanced eBook Features
7. Enhancing Your Reading Experience
 - Adjustable Fonts and Text Sizes of Emco Fb2 User Guide
 - Highlighting and Note-Taking Emco Fb2 User Guide
 - Interactive Elements Emco Fb2 User Guide
8. Staying Engaged with Emco Fb2 User Guide
 - Joining Online Reading Communities
 - Participating in Virtual Book Clubs
 - Following Authors and Publishers Emco Fb2 User Guide
9. Balancing eBooks and Physical Books Emco Fb2 User Guide
 - Benefits of a Digital Library
 - Creating a Diverse Reading Collection Emco Fb2 User Guide
10. Overcoming Reading Challenges
 - Dealing with Digital Eye Strain
 - Minimizing Distractions
 - Managing Screen Time
11. Cultivating a Reading Routine Emco Fb2 User Guide
 - Setting Reading Goals Emco Fb2 User Guide
 - Carving Out Dedicated Reading Time
12. Sourcing Reliable Information of Emco Fb2 User Guide
 - Fact-Checking eBook Content of Emco Fb2 User Guide
 - Distinguishing Credible Sources
13. Promoting Lifelong Learning

- Utilizing eBooks for Skill Development
 - Exploring Educational eBooks
14. Embracing eBook Trends
- Integration of Multimedia Elements
 - Interactive and Gamified eBooks

Emco Fb2 User Guide Introduction

In this digital age, the convenience of accessing information at our fingertips has become a necessity. Whether its research papers, eBooks, or user manuals, PDF files have become the preferred format for sharing and reading documents. However, the cost associated with purchasing PDF files can sometimes be a barrier for many individuals and organizations. Thankfully, there are numerous websites and platforms that allow users to download free PDF files legally. In this article, we will explore some of the best platforms to download free PDFs. One of the most popular platforms to download free PDF files is Project Gutenberg. This online library offers over 60,000 free eBooks that are in the public domain. From classic literature to historical documents, Project Gutenberg provides a wide range of PDF files that can be downloaded and enjoyed on various devices. The website is user-friendly and allows users to search for specific titles or browse through different categories. Another reliable platform for downloading Emco Fb2 User Guide free PDF files is Open Library. With its vast collection of over 1 million eBooks, Open Library has something for every reader. The website offers a seamless experience by providing options to borrow or download PDF files. Users simply need to create a free account to access this treasure trove of knowledge. Open Library also allows users to contribute by uploading and sharing their own PDF files, making it a collaborative platform for book enthusiasts. For those interested in academic resources, there are websites dedicated to providing free PDFs of research papers and scientific articles. One such website is Academia.edu, which allows researchers and scholars to share their work with a global audience. Users can download PDF files of research papers, theses, and dissertations covering a wide range of subjects. Academia.edu also provides a platform for discussions and networking within the academic community. When it comes to downloading Emco Fb2 User Guide free PDF files of magazines, brochures, and catalogs, Issuu is a popular choice. This digital publishing platform hosts a vast collection of publications from around the world. Users can search for specific titles or explore various categories and genres. Issuu offers a seamless reading experience with its user-friendly interface and allows users to download PDF files for offline reading. Apart from dedicated platforms, search engines also play a crucial role in finding free PDF files. Google, for instance, has an advanced search feature that allows users to filter results by file type. By specifying the file type as "PDF," users can find websites that offer free PDF downloads on a specific topic. While downloading Emco Fb2 User Guide free PDF files is convenient, its important

to note that copyright laws must be respected. Always ensure that the PDF files you download are legally available for free. Many authors and publishers voluntarily provide free PDF versions of their work, but it's essential to be cautious and verify the authenticity of the source before downloading Emco Fb2 User Guide. In conclusion, the internet offers numerous platforms and websites that allow users to download free PDF files legally. Whether it's classic literature, research papers, or magazines, there is something for everyone. The platforms mentioned in this article, such as Project Gutenberg, Open Library, Academia.edu, and Issuu, provide access to a vast collection of PDF files. However, users should always be cautious and verify the legality of the source before downloading Emco Fb2 User Guide any PDF files. With these platforms, the world of PDF downloads is just a click away.

FAQs About Emco Fb2 User Guide Books

What is a Emco Fb2 User Guide PDF? A PDF (Portable Document Format) is a file format developed by Adobe that preserves the layout and formatting of a document, regardless of the software, hardware, or operating system used to view or print it. **How do I create a Emco Fb2 User Guide PDF?** There are several ways to create a PDF: Use software like Adobe Acrobat, Microsoft Word, or Google Docs, which often have built-in PDF creation tools. Print to PDF: Many applications and operating systems have a "Print to PDF" option that allows you to save a document as a PDF file instead of printing it on paper. Online converters: There are various online tools that can convert different file types to PDF. **How do I edit a Emco Fb2 User Guide PDF?** Editing a PDF can be done with software like Adobe Acrobat, which allows direct editing of text, images, and other elements within the PDF. Some free tools, like PDFescape or Smallpdf, also offer basic editing capabilities. **How do I convert a Emco Fb2 User Guide PDF to another file format?** There are multiple ways to convert a PDF to another format: Use online converters like Smallpdf, Zamzar, or Adobe Acrobat's export feature to convert PDFs to formats like Word, Excel, JPEG, etc. Software like Adobe Acrobat, Microsoft Word, or other PDF editors may have options to export or save PDFs in different formats. **How do I password-protect a Emco Fb2 User Guide PDF?** Most PDF editing software allows you to add password protection. In Adobe Acrobat, for instance, you can go to "File" -> "Properties" -> "Security" to set a password to restrict access or editing capabilities. Are there any free alternatives to Adobe Acrobat for working with PDFs? Yes, there are many free alternatives for working with PDFs, such as: LibreOffice: Offers PDF editing features. PDFsam: Allows splitting, merging, and editing PDFs. Foxit Reader: Provides basic PDF viewing and editing capabilities. How do I compress a PDF file? You can use online tools like Smallpdf, ILovePDF, or desktop software like Adobe Acrobat to compress PDF files without significant quality loss. Compression reduces the file size, making it easier to share and download. Can I fill out forms in a PDF file? Yes, most PDF viewers/editors like Adobe Acrobat, Preview (on Mac), or

various online tools allow you to fill out forms in PDF files by selecting text fields and entering information. Are there any restrictions when working with PDFs? Some PDFs might have restrictions set by their creator, such as password protection, editing restrictions, or print restrictions. Breaking these restrictions might require specific software or tools, which may or may not be legal depending on the circumstances and local laws.

Find Emco Fb2 User Guide :

[la haute savoie partie](#)

[la biorresonancia seg uacute n paul schmidt](#)

[la biographie de dante](#)

[la balance cosmique le nombre](#)

[la cooepeacuteration nordsud leacutethique de la solidariteacute comme alternative](#)

[la fin du monde](#)

la cucina italiana storia di una cultura

la deacutemocratie sociale agrave la francce dilaise

[la houille rouge](#)

la machine infernale de jean cocteau acte 3

[la beacuteneacutediction de promeacutetheacutee religion et technologie nouvelles etudes historiques](#)

la france agrave quitte ou double documents

[la chasse au mirage doctor who](#)

[l exam 4369 area names](#)

[la folie nest plus ce quelle eacutetait](#)

Emco Fb2 User Guide :

grade 10 accounting exam papers testpapers - Aug 19 2023

web past exam papers for grade 10 accounting 2023 2012 past march june september and november exam papers memos available in afrikaans and english download all question papers for free

gr10 acc p1 eng june 2022 question paper 1 pdf course hero - May 16 2023

web nov 14 2022 view gr10 acc p1 eng june 2022 question paper 1 pdf from accounting gr10 at university of south africa downloaded from testpapers co za provincial examination june 2022 grade

accounting grade 10 exam papers and study material - Jul 18 2023

web sep 14 2023 accounting grade 10 share past year exam papers updated 2023 09 14 kzn scope 2023 step ahead 2023 now available under study notes advertisement 2023 limpopo march qp and memo kzn june qp and memo 2022 march qp and memo june qp and memo sept qp and memo exemplar nov p1 and memo

cambridge igcse accounting 0452 - Nov 10 2022

web june june 2021 question paper 11 pdf 183kb june 2021 mark scheme paper 11 pdf 159kb june 2021 question paper 21 pdf 948kb june 2021 mark scheme paper 21 pdf 270kb

grade 10 past papers memos accounting maths 101 - Mar 02 2022

web dec 14 2021 are you in need of grade 10 past papers memos accounting it can be a challenge to look for the latest question papers and their respective memorandums let alone study guides see the downloadable link below for your required past exam paper with the memorandum

grade 10 accounting question paper answer book memo - Jan 12 2023

web feb 23 2019 1 630 atp 2023 24 gr 9 ems final 1 170 atp 2023 24 gr 10 acc final 1 150 atp 2023 24 gr 12 acc final 1 210 atp 2023 24 gr 10 eco final fac2601 may june2022 solution for q1 and q2 fac2601 october 2021 examination

grade 10 accounting june exam and memo 2023 1 teacha - Dec 11 2022

web question 1 accounting concepts gaap and internal control question 2 accounting equation question 3 general ledger question 4 general journal control question 5 vat cost accounting question 6 salaries and wages question 7 year end adjustments grand total 200 related resources

grade 10 november 2020 accounting p1 exemplar - May 04 2022

web this question paper consists of 11 pages a 1 page formula sheet and a 10 page answer book question 1 accounting concepts and accounting equation 24 marks 19 minutes 1 1 concepts calculate the acid test ratio 4 c do you think that the business will experience liquidity problems in the

accounting grade 10 past exam papers and memos for 2019 - Mar 14 2023

web nov 6 2020 list of accounting grade 10 past exam papers and memos for 2019 2019 nov acc grade 10 p1 download sept 2019 acc qp and memo grade 10 download accounting gr 10june 2019 memo1 download june account 2019 grade 10 qp 1 download account grade 10 march 2019 download acc grade 10 nov 2019

accounting grade 10 past exam papers and memos for 2020 - Sep 08 2022

web sep 22 2020 list of accounting grade 10 past exam papers and memos for 2020 download my courses has a large collection of grade 10 question papers for all provinces limpopo lp northern cape nc western cape wc kwa zulu natal kzn gauteng gp eastern cape ec mpumalanga mp north west nw and free state fs

past exam papers grade 10 accounting awsum school news - Feb 01 2022

web jan 29 2020 past exam papers grade 10 accounting by meinette van zyl 29th jan 2020 23762 0 title categories link tags past exam papers previous article past exam papers grade 10 next article hs jim fouché atlete neem deel aan related articles more from author past exam papers

grade 10 past exam papers and memos 2023 aucfinder za - Apr 03 2022

web sep 8 2022 to download grade 10 past exam papers and memos visit the website of the department of basic education for your province and search for the papers you need or you can use the links below download the past papers and memos find links to all grade 10 exam papers and memos from previous years below

accounting grade 10 june exam question papers - Apr 15 2023

web accounting grade 10 june exam question papers 5 5 focusing on a different set of topics accounting grade 10 june exam question paper together part 1 and part 2 serve as an objective measure of your knowledge and competence in the field of management accounting accounting grade 10 june exam paper partsstop comgrade 10

grade 10 question papers and memos pdf download grade 10 exam papers - Jun 17 2023

web download grade 10 question papers and memos for all subjects here accounting grade 10 questions paper november 2019 afrikaans d ecolebooks com pdf accounting p1 grade 10 answerbook november 2019 afrikaans d ecolebooks com pdf accounting p1 grade 10 answerbook

grade 10 accounting june exam and memo 2023 1 - Oct 09 2022

web this product contains a downloadable grade 10 accounting exam and memo for the june exams this product consists of 7 questions that take up 9 pages question 1 accounting concepts gaap and internal control question 2 accounting equation question 3 general ledger question 4 general journal control question 5 vat

grade 10 accounting sa exams - Jun 05 2022

web nov 27 2022 grade 10 accounting exam papers our examination papers include gauteng kwa zulu natal eastern cape nsc mock papers year question paper memorandum paper 1 2020 june question paper june memorandum 2019 june question paper november question paper june memorandum november june

grades 10 new era accounting - Jul 06 2022

web tests exams grade 10 june exam paper term 1 control test 2018 term 1 control test 2018 answer book term 1 control test 2018 memo june exemplar examination qp refer to study guide for more tasks june exemplar examination answer book june exemplar examination marking guideline junie eksamen vraestel junie eksamen

accounting grade 10 past papers sa papers - Feb 13 2023

web accounting government grade 10 past papers access the largest collection of past exam papers for grade 10 caps the

memos and exam papers are available in afrikaans and english prepare for your grade 10 exams with our collection of *grade 10 accounting june exam and memo 2023 summaries sa* - Aug 07 2022

web the grade 10 accounting june exam memo contains the following question 1 concepts gaap internet control question 2 accounting equation question 3 general ledger question 4 general journal control question 5 vat cost accounting question 6 salaries and wages question 7 year end adjustments

[accounting grade 10 exam papers and memos 2023 pdf](#) - Sep 20 2023

web sep 9 2022 download the accounting grade 10 exam papers and memos 2023 here the papers and memos are available for download in pdf format including memorandum past paper and sample test aucfinder

rattenliebe dein praktischer alltags planer fur g 2023 - Mar 27 2023

web fur g 1 rattenliebe dein praktischer alltags planer fur g free bleeding lea s comic diary for a pain free period without sanitary towels tampons etc von alpha bis omega ein Übungsbuch mit bildhaften merkhilfen zum altgriechischen alphabet für eltern schüler und schlaumeier my time of the month cycle chart rattenliebe dein

pdf rattenliebe dein praktischer alltags planer fur g - Jun 29 2023

web für 2020 dieser planer soll dir dabei helfen endlich deine träume zu verwirklichen und dein zeitmanagement zu verbessern tschüss alltagsstress details zum inhalt des planers Über 120 seiten zum organisieren und verwalten deines alltags reflektionsseite für deine stärken und schwächen

read free rattenliebe dein praktischer alltags planer fur g - Dec 24 2022

web für 2020 dieser planer soll dir dabei helfen endlich deine träume zu verwirklichen und dein zeitmanagement zu verbessern tschüss alltagsstress details zum inhalt des planers Über 120 seiten zum organisieren und verwalten deines alltags reflektionsseite für deine stärken und schwächen

[rattenliebe dein praktischer alltags planer fur g pdf pgd](#) - Mar 15 2022

web rattenliebe dein praktischer alltags planer fur g pdf this is likewise one of the factors by obtaining the soft documents of this rattenliebe dein praktischer alltags planer fur g pdf by online you might not require more era to spend to go to the books foundation as competently as search for them in some cases you likewise realize not

rattenliebe dein praktischer alltags planer fur g download - Sep 20 2022

web rattenliebe dein praktischer alltags planer fur g 1 rattenliebe dein praktischer alltags planer fur g von alpha bis omega ein Übungsbuch mit bildhaften merkhilfen zum altgriechischen alphabet für eltern schüler und schlaumeier

rattenliebe dein praktischer alltags planer fur g pdf - May 29 2023

web sep 11 2023 rattenliebe dein praktischer alltags planer für glückliche fellnasen carla oblasser 2019 03 27 du bist bereits stolzer halter eines quirligen ratten rudels oder gerade auf dem besten weg dorthin rattenliebe hilft dir den alltag mit

deinen fellnasen einfach und abwechslungsreich zu gestalten und

rattenliebe dein praktischer alltags planer für glückliche - Nov 22 2022

web jun 4 2023 *rattenliebe dein praktischer alltags planer für* Über den autor und weitere mitwirkende carla oblasser ist gymnasiastin und begeistert sich seit vielen jahren für quirilige farbratten

rattenliebe dein praktischer alltags planer fur g pdf pdf - May 17 2022

web may 26 2023 *rattenliebe dein praktischer alltags planer fur g pdf* recognizing the quirk ways to acquire this ebook

rattenliebe dein praktischer alltags planer fur g pdf is additionally useful you have remained in right site to begin getting this info acquire the *rattenliebe dein praktischer alltags planer fur g pdf* partner that we give here and

rattenliebe dein praktischer alltags planer fur g anna - Oct 22 2022

web discover the notice *rattenliebe dein praktischer alltags planer fur g* that you are looking for it will enormously squander the time however below taking into consideration you visit this web page it will be in view of that utterly simple to acquire as competently as download guide *rattenliebe dein praktischer alltags planer fur g*

rattenliebe dein praktischer alltags planer fur g pdf - Feb 23 2023

web merely said the *rattenliebe dein praktischer alltags planer fur g* is universally compatible with any devices to read

rattenliebe dein praktischer alltags planer für glückliche fellnasen carla oblasser 2019 03 27 du bist bereits stolzer halter eines quirligen ratten rudels oder gerade auf dem besten weg dorthin

rattenliebe dein praktischer alltags planer fur g severely odd - Feb 11 2022

web *rattenliebe dein praktischer alltags planer fur g* but end up in infectious downloads rather than reading a good book with a cup of coffee in the afternoon instead they cope with some infectious bugs inside their laptop *rattenliebe dein praktischer alltags planer fur g* is available in our digital library an online access

ratten tipps zur rattenhaltung ratten haustiere planet - Aug 20 2022

web tipps zur rattenhaltung ratten sind dämmerungsaktive tiere und deshalb gut geeignet für berufstätige die genau dann feierabend haben wenn es bei den ratten so richtig rund geht auch kinder sollten auf den speziellen ratten rhythmus rücksicht nehmen können von susanne decker und wiebke ziegler

rattenliebe dein praktischer alltags planer fur g pdf uniport edu - Jul 19 2022

web sep 15 2023 this one merely said the *rattenliebe dein praktischer alltags planer fur g* is universally compatible in imitation of any devices to read the bear at the hunters ball peter hacks 1976 01 01 disguised as a hunter a bear attends the hunters ball where after much drinking all decide to go bear hunting

rattenliebe dein praktischer alltags planer für g buch - Apr 27 2023

web *rattenliebe dein praktischer alltags planer für g buch* zustand sehr gut eur 6 99 zu verkaufen action abenteuer knicke

oder lesepuren können vorhanden sein schutzumschlag cover booklet 385453582416

rattenliebe dein praktischer alltags planer für glückliche - Jul 31 2023

web rattenliebe dein praktischer alltags planer für glückliche bei vergleiche ch bekommst du einen rattenliebe dein praktischer alltags planer für glückliche fellnasen preisvergleich und siehst ob ein shop gerade eine rattenliebe dein praktischer alltags planer für glückliche fellnasen aktion hat suchen 891 testberichte 7 0 mio

rattenliebe dein praktischer alltags planer fur g carla - Jan 25 2023

web this rattenliebe dein praktischer alltags planer fur g as one of the most keen sellers here will completely be accompanied by the best options to review rattenliebe dein praktischer alltags planer für glückliche fellnasen carla oblasser

rattenliebe dein praktischer alltags planer für glückliche - Oct 02 2023

web rattenliebe dein praktischer alltags planer für glückliche fellnasen carla oblasser caroline oblasser buch taschenbuch 14 90 inkl gesetzl mwst versandkostenfrei artikel liefern lassen sofort lieferbar in den warenkorb click collect verfügbarkeit in ihrer buchhandlung prüfen sie haben noch keine buchhandlung ausgewählt

rattenliebe dein praktischer alltags planer für glückliche - Sep 01 2023

web rattenliebe hilft dir den alltag mit deinen fellnasen einfach und abwechslungsreich zu gestalten und die pflege der langschwänze zuverlässig zu organisieren zahlreiche eintragungsseiten machen dieses vielfältige bullet journal darüber hinaus zu einem unvergesslichen abenteuer und erinnerungsalbum

rattenliebe dein praktischer alltags planer fur g pdf caroline - Jun 17 2022

web apr 22 2023 rattenliebe dein praktischer alltags planer fur g pdf if you ally need such a referred rattenliebe dein praktischer alltags planer fur g pdf book that will provide you worth acquire the enormously best seller from us currently from several preferred authors if you want to hilarious books lots of novels tale jokes and more

rattenliebe dein praktischer alltags planer fur g copy - Apr 15 2022

web rattenliebe dein praktischer alltags planer fur g austria sep 27 2022 110 seiten punkteraster perfekt als wander notizbuch berg notizheft kletter zeichenblock skizzenbuch climbing diary gipfelstürmer tagebuch planer oder notizblock für bergsteiger und zum wandern hiking bullet journal um notizen festzuhalten

working at chevron home - Nov 10 2022

web drug test salaries working hours background check job opportunities working environment dress code promotion working culture training work from home

chevron pre employment testing maintenance retailer bonide - Feb 01 2022

web chevron pre employment testing maintenance chevron pre employment testing maintenance 2 downloaded from accounts ceu social on 2021 03 03 by guest bureau of

chevron pre employment testing maintenance pdf uniport edu - Jun 05 2022

web 4 chevron pre employment testing maintenance 2023 08 06 case studies give an insight into why people hesitate to report risks and even when they do why their

chevron pre employment testing maintenance pdf pdf - Oct 09 2022

web investing 750m by 2028 in investments in renewables and offsets investing 10b between now and 2028 to execute lower carbon projects oil 40 reduction in green house gas

chevron pre employment testing maintenance pdf uniport edu - Oct 29 2021

web jan 25 2023 chevron pre employment testing maintenance 2 8 downloaded from sfsupport2 solidfire com on by guest fair employment practices 1996 bna human

chevron pre employment assessment test practice - Sep 20 2023

33 different practice tests including 1 industrial information question tables graphs 2 mechanical aptitude 3 numerical reasoning 4 reading comprehension 5 personality test preparation 6 5 study guides 7 fully detailed explanations teaching the simplest quickest methods 8 see more

chevron pre employment testing maintenance - Dec 31 2021

web chevron pre employment testing maintenance downloaded from retailer bonide com by guest nicholson lucero employment testing the princeton review to limit the

chevron aptitude test question explanation - Apr 15 2023

web how to apply and pass the assessment test at chevron get full chevron practice test and free question explanation to pass the hiring process

hiring process chevron corporation - May 16 2023

web practice for chevron s tests learn prepare online for chevron s assessments application hiring process interviews and aptitude tests

questions and answers about chevron hiring process indeed - Jan 12 2023

web apr 9 2023 about chevron pre employment testing the chevron pre employment test is separated into three sections mechanical aptitude workplace attitude and

chevron pre employment testing maintenance - May 04 2022

web jul 3 2023 chevron pre employment testing maintenance 1 5 downloaded from uniport edu ng on july 3 2023 by guest chevron pre employment testing

chevron pre employment testing maintenance pdf free - Aug 07 2022

web includes maintenance techniques helping you get the optimal performance out of your pump and reducing maintenance

costs will help you to understand seals couplings

chevron assessment test and hiring process - Jul 18 2023

chevron generally fields a large amount of applicants for a few positions it is not uncommon for 2 000 people to apply for 80 jobs therefore when chevron uses the pre employment assessment tests it is not easy and can see more

professionals chevron corporation - Dec 11 2022

web chevron pre employment testing maintenance ramsay corporation find the right test for the job aug 21 2023 off the shelf employment tests b customized or off the shelf tests

chevron pre employment testing maintenance htaccess guide - Apr 03 2022

web chevron pre employment testing maintenance recommendations csb may 11th 2018 the csb issues safety recommendations to prevent the recurrence or reduce the

chevron pre employment testing maintenance pdf copy red ortax - Sep 08 2022

web 2015 the rapid visual screening rvs handbook can be used by trained personnel to identify inventory and screen buildings that are potentially seismically vulnerable the

chevron pre employment testing maintenance - Mar 02 2022

web feb 27 2023 for chevron pre employment testing maintenance and numerous books collections from fictions to scientific research in any way in the middle of them is this

chevron online assessment tests practice questions - Jun 17 2023

chevron was ranked third on the fortune 500 list of world s largest companies with around 65 000 employees in over 180 countries it is a mammoth multinational organization dealing in energy and oil refinery want a see more

chevron assessment tests online preparation 2023 - Aug 19 2023

the basic chevron assessment test is a three part test which includes 1 industrial information test tests your ability to use math read and see more

chevron pre employment testing maintenance book - Feb 13 2023

web tips looking for a job at a chevron station find open retail positions all applicants must create a new candidate profile to apply student or recent graduate learn how to apply

chevron assessment test practice next interview - Mar 14 2023

web may 11 2020 prepare for the 2023 chevron assessment with 21 mock aptitude tests 270 questions written by experts includes tips guides worked solutions get 25 off

chevron pre employment testing maintenance - Jul 06 2022

web chevron pre employment testing maintenance pdf upload jason f williamson 2 7 downloaded from status restek wwu edu

on september 24 2023 by jason f williamson

chevron pre employment testing maintenance - Nov 29 2021

web as this chevron pre employment testing maintenance it ends occurring innate one of the favored book chevron pre employment testing maintenance collections that we