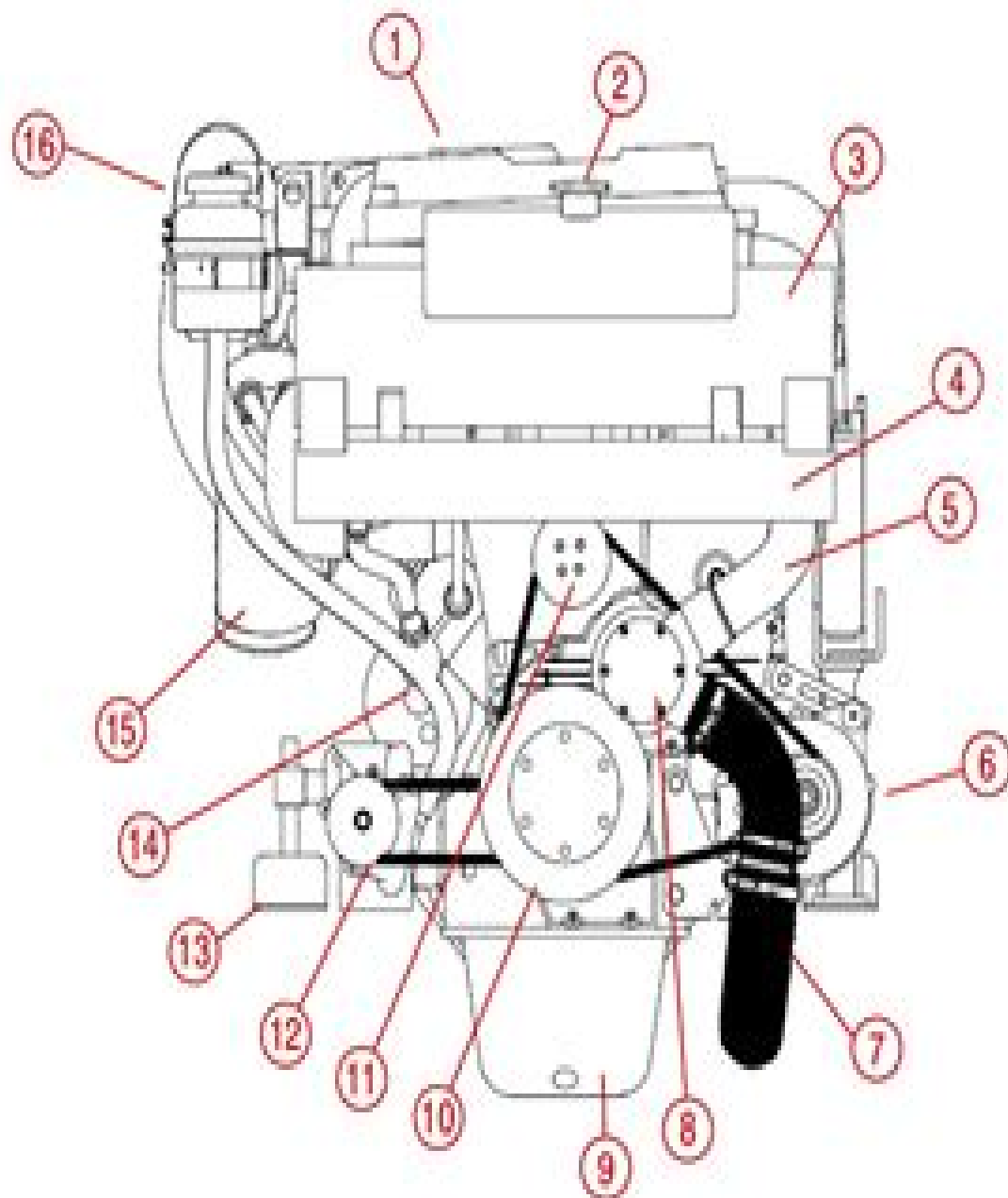


Front View



Mercuriser 4 2 D Tronic Diagram Electric

Siddappa N.Byrareddy



Mercuriser 4 2 D Tronic Diagram Electric:

Clinical Laboratory Procedure--hematology ,1973 **Electrical World** ,1907-07 Battelle Technical Review
,1956 Marine Engineering Regulations United States. Coast Guard,1977 *Scientific and Technical Aerospace Reports*
,1978 *Nuclear Science Abstracts* ,1973 *Transactions of the American Institute of Electrical Engineers* American
Institute of Electrical Engineers,1950 List of members in v 7 15 17 19 20 *Railway Signaling and Communications* ,1962
Energy Research Abstracts ,1987 **Technical Abstract Bulletin** Defense Documentation Center (U.S.),1963

Right here, we have countless books **Mer cruiser 4 2 D Tronic Diagram Electric** and collections to check out. We additionally give variant types and after that type of the books to browse. The up to standard book, fiction, history, novel, scientific research, as capably as various other sorts of books are readily comprehensible here.

As this Mer cruiser 4 2 D Tronic Diagram Electric, it ends taking place swine one of the favored books Mer cruiser 4 2 D Tronic Diagram Electric collections that we have. This is why you remain in the best website to look the incredible book to have.

<https://staging.conocer.cide.edu/files/detail/index.jsp/Kubota%20M8540%20Manual.pdf>

Table of Contents Mer cruiser 4 2 D Tronic Diagram Electric

1. Understanding the eBook Mer cruiser 4 2 D Tronic Diagram Electric
 - The Rise of Digital Reading Mer cruiser 4 2 D Tronic Diagram Electric
 - Advantages of eBooks Over Traditional Books
2. Identifying Mer cruiser 4 2 D Tronic Diagram Electric
 - Exploring Different Genres
 - Considering Fiction vs. Non-Fiction
 - Determining Your Reading Goals
3. Choosing the Right eBook Platform
 - Popular eBook Platforms
 - Features to Look for in an Mer cruiser 4 2 D Tronic Diagram Electric
 - User-Friendly Interface
4. Exploring eBook Recommendations from Mer cruiser 4 2 D Tronic Diagram Electric
 - Personalized Recommendations
 - Mer cruiser 4 2 D Tronic Diagram Electric User Reviews and Ratings
 - Mer cruiser 4 2 D Tronic Diagram Electric and Bestseller Lists
5. Accessing Mer cruiser 4 2 D Tronic Diagram Electric Free and Paid eBooks

- Mercuriser 4 2 D Tronic Diagram Electric Public Domain eBooks
 - Mercuriser 4 2 D Tronic Diagram Electric eBook Subscription Services
 - Mercuriser 4 2 D Tronic Diagram Electric Budget-Friendly Options
6. Navigating Mercuriser 4 2 D Tronic Diagram Electric eBook Formats
 - ePub, PDF, MOBI, and More
 - Mercuriser 4 2 D Tronic Diagram Electric Compatibility with Devices
 - Mercuriser 4 2 D Tronic Diagram Electric Enhanced eBook Features
 7. Enhancing Your Reading Experience
 - Adjustable Fonts and Text Sizes of Mercuriser 4 2 D Tronic Diagram Electric
 - Highlighting and Note-Taking Mercuriser 4 2 D Tronic Diagram Electric
 - Interactive Elements Mercuriser 4 2 D Tronic Diagram Electric
 8. Staying Engaged with Mercuriser 4 2 D Tronic Diagram Electric
 - Joining Online Reading Communities
 - Participating in Virtual Book Clubs
 - Following Authors and Publishers Mercuriser 4 2 D Tronic Diagram Electric
 9. Balancing eBooks and Physical Books Mercuriser 4 2 D Tronic Diagram Electric
 - Benefits of a Digital Library
 - Creating a Diverse Reading Collection Mercuriser 4 2 D Tronic Diagram Electric
 10. Overcoming Reading Challenges
 - Dealing with Digital Eye Strain
 - Minimizing Distractions
 - Managing Screen Time
 11. Cultivating a Reading Routine Mercuriser 4 2 D Tronic Diagram Electric
 - Setting Reading Goals Mercuriser 4 2 D Tronic Diagram Electric
 - Carving Out Dedicated Reading Time
 12. Sourcing Reliable Information of Mercuriser 4 2 D Tronic Diagram Electric
 - Fact-Checking eBook Content of Mercuriser 4 2 D Tronic Diagram Electric
 - Distinguishing Credible Sources
 13. Promoting Lifelong Learning
 - Utilizing eBooks for Skill Development

- Exploring Educational eBooks
14. Embracing eBook Trends
- Integration of Multimedia Elements
 - Interactive and Gamified eBooks

Mercuriser 4 2 D Tronic Diagram Electric Introduction

In today's digital age, the availability of Mercuriser 4 2 D Tronic Diagram Electric books and manuals for download has revolutionized the way we access information. Gone are the days of physically flipping through pages and carrying heavy textbooks or manuals. With just a few clicks, we can now access a wealth of knowledge from the comfort of our own homes or on the go. This article will explore the advantages of Mercuriser 4 2 D Tronic Diagram Electric books and manuals for download, along with some popular platforms that offer these resources. One of the significant advantages of Mercuriser 4 2 D Tronic Diagram Electric books and manuals for download is the cost-saving aspect. Traditional books and manuals can be costly, especially if you need to purchase several of them for educational or professional purposes. By accessing Mercuriser 4 2 D Tronic Diagram Electric versions, you eliminate the need to spend money on physical copies. This not only saves you money but also reduces the environmental impact associated with book production and transportation. Furthermore, Mercuriser 4 2 D Tronic Diagram Electric books and manuals for download are incredibly convenient. With just a computer or smartphone and an internet connection, you can access a vast library of resources on any subject imaginable. Whether you're a student looking for textbooks, a professional seeking industry-specific manuals, or someone interested in self-improvement, these digital resources provide an efficient and accessible means of acquiring knowledge. Moreover, PDF books and manuals offer a range of benefits compared to other digital formats. PDF files are designed to retain their formatting regardless of the device used to open them. This ensures that the content appears exactly as intended by the author, with no loss of formatting or missing graphics. Additionally, PDF files can be easily annotated, bookmarked, and searched for specific terms, making them highly practical for studying or referencing. When it comes to accessing Mercuriser 4 2 D Tronic Diagram Electric books and manuals, several platforms offer an extensive collection of resources. One such platform is Project Gutenberg, a nonprofit organization that provides over 60,000 free eBooks. These books are primarily in the public domain, meaning they can be freely distributed and downloaded. Project Gutenberg offers a wide range of classic literature, making it an excellent resource for literature enthusiasts. Another popular platform for Mercuriser 4 2 D Tronic Diagram Electric books and manuals is Open Library. Open Library is an initiative of the Internet Archive, a non-profit organization dedicated to digitizing cultural artifacts and making them accessible to the public. Open Library hosts millions of books, including both public domain works and contemporary titles. It also allows users to borrow digital copies of certain

books for a limited period, similar to a library lending system. Additionally, many universities and educational institutions have their own digital libraries that provide free access to PDF books and manuals. These libraries often offer academic texts, research papers, and technical manuals, making them invaluable resources for students and researchers. Some notable examples include MIT OpenCourseWare, which offers free access to course materials from the Massachusetts Institute of Technology, and the Digital Public Library of America, which provides a vast collection of digitized books and historical documents. In conclusion, Mercuriser 4 2 D Tronic Diagram Electric books and manuals for download have transformed the way we access information. They provide a cost-effective and convenient means of acquiring knowledge, offering the ability to access a vast library of resources at our fingertips. With platforms like Project Gutenberg, Open Library, and various digital libraries offered by educational institutions, we have access to an ever-expanding collection of books and manuals. Whether for educational, professional, or personal purposes, these digital resources serve as valuable tools for continuous learning and self-improvement. So why not take advantage of the vast world of Mercuriser 4 2 D Tronic Diagram Electric books and manuals for download and embark on your journey of knowledge?

FAQs About Mercuriser 4 2 D Tronic Diagram Electric Books

How do I know which eBook platform is the best for me? Finding the best eBook platform depends on your reading preferences and device compatibility. Research different platforms, read user reviews, and explore their features before making a choice. Are free eBooks of good quality? Yes, many reputable platforms offer high-quality free eBooks, including classics and public domain works. However, make sure to verify the source to ensure the eBook credibility. Can I read eBooks without an eReader? Absolutely! Most eBook platforms offer web-based readers or mobile apps that allow you to read eBooks on your computer, tablet, or smartphone. How do I avoid digital eye strain while reading eBooks? To prevent digital eye strain, take regular breaks, adjust the font size and background color, and ensure proper lighting while reading eBooks. What the advantage of interactive eBooks? Interactive eBooks incorporate multimedia elements, quizzes, and activities, enhancing the reader engagement and providing a more immersive learning experience. Mercuriser 4 2 D Tronic Diagram Electric is one of the best book in our library for free trial. We provide copy of Mercuriser 4 2 D Tronic Diagram Electric in digital format, so the resources that you find are reliable. There are also many Ebooks of related with Mercuriser 4 2 D Tronic Diagram Electric. Where to download Mercuriser 4 2 D Tronic Diagram Electric online for free? Are you looking for Mercuriser 4 2 D Tronic Diagram Electric PDF? This is definitely going to save you time and cash in something you should think about.

Find Mercuriser 4 2 D Tronic Diagram Electric :

kubota m8540 manual

kubota rm617e workshop service manual

kubota diesel tractor b b2650b3350

kubota b320owners manual

kubota mx5000 shop manual

kubota l3750 service manual

kubota kx161 operation manual

kubota excavators u48 4 operators manual

kubota injection pump service manual

~~kubota b2400 hse tractor parts manual illustrated list ipl~~

~~kubota tractor bx 1860 service manual~~

kubota bt820 parts manual

kubota m6800 m8200 m9000 tractor workshop service manual

kubota tractor service manual b7800

~~kubota 8hp single cylinder service manual~~

Mercuriser 4 2 D Tronic Diagram Electric :

poe dameron 4 wookieepedia fandom - Jul 04 2023

web poe dameron 4 is the fourth issue of the marvel comic book series star wars poe dameron the issue released on july 6 2016 is written by charles soule with art by phil noto the next stop on poe s mission is grakkus the hutt but grakkus has been in republic prison for years you know what

star wars poe dameron 2016 t04 amazon fr - Jan 30 2023

web achetez et téléchargez ebook star wars poe dameron 2016 t04 disparition d une légende star wars poe dameron t 4 boutique kindle comics amazon fr

amazon com star wars poe dameron 2016 t04 disparition - Aug 25 2022

web apr 4 2018 buy star wars poe dameron 2016 t04 disparition d une légende star wars poe dameron t 4 french edition read kindle store reviews amazon com

star wars poe dameron 2016 t04 overdrive - Aug 05 2023

web apr 4 2018 l un des membres de l escadron black est mort au combat pourtant poe dameron et les autres héros de la résistance doivent poursuivre leur combat contre les forces du capitaine phasma et terex pour ne rien arranger il vont également faire face à malarus l impitoyable commandante du premier ordre

star wars poe dameron t04 amazon com br - Sep 25 2022

web compre online star wars poe dameron t04 de virella nick thompson robbie soule charles unzueta angel na amazon frete grÁtis em milhares de produtos com o amazon prime encontre diversos livros escritos por virella nick thompson robbie soule charles unzueta angel com ótimos preços

star wars poe dameron t04 protease odontocompany - Mar 20 2022

web star wars poe dameron t04 3 3 star wars roleplaying game marvel acclaimed new york times best selling author adam gidwitz delivers a captivating retelling of star wars the empire strikes back like you ve never experienced before infusing the iconic classic tale of good versus evil with a unique perspective and narrative style that will

star wars poe dameron t04 amazon fr - Nov 27 2022

web album 22 00 3 d occasion à partir de 17 11 7 neuf à partir de 22 00 un des membres de l escadron black est mort au combat mais poe dameron et les autres héros de la résistance doivent poursuivre la lutte contre le premier ordre la capitaine phasma et terex nombre de pages de l édition imprimée 168 pages

star wars poe dameron t04 store spiralny - Feb 16 2022

web galaxy including star wars the clone wars and star wars rebels paste magazine says you ll want to own this masterpiece it s packed full of information about key characters from luke skywalker to darth maul popular vehicles such as the millennium falcon and all the important events that make up the star wars universe ultimate

poe dameron wikipedia - May 02 2023

web description in the force awakens poe is a skilled x wing fighter pilot for the resistance 13 24 the son of rebel alliance fighters he is a commander in the resistance s starfighter corps and one of leia organa s most trusted operatives who is headstrong and can fly anything 25

star wars poe dameron 2016 t04 amazon de - Oct 27 2022

web star wars poe dameron 2016 t04 disparition d une légende star wars poe dameron t 4 french edition ebook soule charles thompson robbie unzueta angel virella nik amazon de kindle shop

poe dameron disney wiki fandom - Jun 22 2022

web background poe dameron is the son of kes dameron and shara bey a married couple of rebel alliance fighters who fought in the battle of endor to destroy the galactic empire s second death star introduced in the 2015 marvel comics mini series star wars shattered empire kes dameron was a rebel trooper who took part in the destruction of the shield

star wars poe dameron 2016 t04 by charles soule is - Feb 28 2023

web l un des membres de l escadron black est mort au combat pourtant poe dameron et les autres héros de la résistance doivent poursuivre leur combat contre les forces du capitaine phasma et terex pour ne rien arranger il vont également faire face à

star wars poe dameron tv series 2020 2021 imdb - Jun 03 2023

web cast crew imdbpro all topics star wars poe dameron tv series 2020 2021 15m your rating rate adventure the resistance has barely escaped total destruction at the hands of the evil first order during the battle of crait their survival depended on sacrifices made by many brave heroes jedi master luke skywalker among them stars sean m d

star wars poe dameron t04 pan st war 100 albüm - Oct 07 2023

web star wars poe dameron t04 pan st war 100 charles soule robbie thompson amazon com tr kitap

star wars poe dameron 2016 t04 disparition d une légende - Jul 24 2022

web star wars poe dameron 2016 t04 disparition d une légende aux éditions panini l un des membres de l escadron black est mort au combat pourtant poe dameron et les autres héros de la résistance doivent poursuivre leur combat contre les for

star wars poe dameron tome 4 - May 22 2022

web résumé un des membres de l escadron black est mort au combat mais poe dameron et les autres héros de la résistance doivent poursuivre la lutte contre le premier ordre la capitaine phasma et terex détails référence 9782809469998 dimensions 13 0 x 18 0 cm genre s science fiction Éditeur panini collection 100 star wars auteur s

poe dameron starwars com - Dec 29 2022

web poe dameron a resistance starfighter ace poe dameron is one of leia organa s most trusted operatives he can fly anything which is fortunate given how often his headstrong nature leads him into trouble poe leads the attack that destroys starkiller base but soon finds himself on the run from the first order

star wars poe dameron t04 album illustrated 4 april 2018 amazon de - Apr 01 2023

web apr 4 2018 hello sign in account lists returns orders shopping basket

star wars poe dameron characters tv tropes - Apr 20 2022

web all character tropes should go on the star wars character pages the characters from poe dameron are listed below with the character page they are currently on characters in poe dameron new republic rebel heroes c 3po leia organa the resistance

poe dameron wookieepedia fandom - Sep 06 2023

web zorii bliss pictured offered poe dameron the chance to overthrow her mother zeva and control the spice runners at her side poe and zorii s friendship was strained after he found out zeva was zorii s mother they finally made it to kijimi and met

with the droidsmith babu frik who rebuilt ev 6b6

ebook die bewegte stadt migration soziale mobilitat und - Feb 09 2023

web die bewegte stadt migration soziale mobilitat und lokale integrationspolitik in der einwanderungsgesellschaft apr 24 2020 für die ökonomische soziale und kulturelle integration von migrantinnen und migranten sind städte und gemeinden als orte des alltäglichen zusammenlebens von zentraler bedeutung die erkenntnis dass die

die bewegte stadt migration soziale mobilität und innovation in - Sep 04 2022

web jun 29 2023 anerkennen vielfalt die bewegte stadt migration soziale mobilität und migration und soziale arbeit kohlhammer blog museum albrecht durer haus nurnberg by thomas schauerte wie wirkt sich zuwanderung auf den sozialstaat aus addendum die bewegte stadt schnell und steiner die bewegte stadt portofrei bei bücher de bestellen

die bewegte stadt migration soziale mobilitat und pdf - Jan 08 2023

web die bewegte stadt migration soziale mobilitat und leben zwischen land und stadt jul 07 2021 willkommen auf dem kontinent der zukunft afrika so betitelt die welt am sonntag am 20 mai 2007 ihr schwerpunkthema anlässlich des afrika forums der weltbank in berlin weitere schlagzeilen in der ausgabe lauten wie eine unterschätzte

die bewegte stadt migration soziale mobilitat und innovation in - Jun 13 2023

web die bewegte stadt migration soziale mobilitat und innovation in vormodernen grossstadten forum mittelalter studien jörg oberste amazon com tr kitap

9783795430313 die bewegte stadt migration soziale mobilität und - Apr 30 2022

web die bewegte stadt migration soziale mobilität und innovation in vormodernen großstädten 10 forum mittelalter studien beim zvb com isbn 10 3795430313 isbn 13 9783795430313 schnell steiner gmbh 2015 softcover

an overview of urban change process in istanbul - Mar 30 2022

web in turkey migration from rural to urban areas that took place between the 1950s and 1980s has caused millions of people to migrate to cosmopolitan cities like istanbul one of the main reasons for immigration to the city was due to the quality of life in the city and rural areas this geographically displaced process of millions of people has

İstanbul un en çok göç aldığı iller İstanbul da en çok nerele var - Dec 27 2021

web nov 9 2020 listenin 23 üncü sırasında nemrut kalderası ile ünlü güzel şehrimiz bitlis var Şehir son yıllarda İstanbul a oldukça fazla göç verdi İstanbul da doğum yeri bitlis olanların

die bewegte stadt migration soziale mobilität und innovation in - May 12 2023

web der band verfolgt die formen und folgen sozialer mobilitats und migrationsprozesse in europäischen grossstadten von der späten romischen republik bis in das 17 jahrhundert wie

die bewegte stadt migration soziale mobilität und innovation in - Mar 10 2023

web auf die medialen technologischen und sozialen bedingungen der antike des mittelalters und der frühneuzeit übertragen ergeben sich in dieser perspektive neue anfragen an die vormoderne urbanität und metropolität soziale mobilität unterlag in der vormoderne scharfen rechtlichen und sozialen regeln

dijital göçebelerin yeni rotası muğla olacak mugla - Jan 28 2022

web sep 22 2021 dijital göçebelerin yeni rotası muğla olacak 22 09 2021 İş ve çalışma dünyasında pandemi ile başlayan uzaktan çalışma kavramının trend haline gelmesiyle birlikte dijital nomad yani dijital göçebelik adıyla başlayan turizm akımının ilimizde alternatif turizm projesi olarak hayata geçirilmesi amacıyla

die bewegte stadt migration soziale mobilitat und alibris - Aug 03 2022

web migration soziale mobilitat und innovation sind die zentralen faktoren bei der konstituierung der multikulturellen metropolitenen gesellschaft der vormoderne migranten sorgten für den transfer neuer ideen und technologien sie formten zudem die kulturelle physiognomie ganzer stadtviertel und nachbarschaften

doğu coğrafya dergisi makale mültecî hareketleri - Feb 26 2022

web sep 13 2011 arakon a m 1997 migration flows within european union and the impact or the schengen convention marmara university european cominity institute master or art İstanbul arı o 1960 bulgaristanlı göçmenlerin İntibakı 1950 51 de bursa ve İstanbul da İskan edilenlerin İntibakı İle İlgili sosyolojik araştırma rekor

die bewegte stadt migration soziale mobilität und innovation in - Nov 06 2022

web die bewegte stadt migration soziale mobilität und migration und soziale arbeit springerlink migration sozialstruktur und ungleichheit in deutschland zusammenfassung soziale mobilität soziale differenzierung

die bewegte stadt migration soziale mobilität und abebooks - Jul 02 2022

web die bewegte stadt migration soziale mobilität und innovation in vormodernen grossstädten forum mittelalter studien german edition by oberste jörg isbn 10 3795430313 isbn 13 9783795430313 schnell steiner 2015 softcover

die bewegte stadt migration soziale mobilitat und pdf - Apr 11 2023

web verschiebt die beziehung zwischen mensch und raum ins erzählerische die bewegte stadt feb 18 2023 die grossen städtischen zentren der antike des mittelalters und der fruhen neuzeit zeichneten sich durch hohe mobilitat und innovationspotentiale aus migration soziale mobilitat und innovation sind die zentralen faktoren bei der

die bewegte stadt migration soziale mobilitat und massimiliano - Jun 01 2022

web die bewegte stadt migration soziale mobilitat und this is likewise one of the factors by obtaining the soft documents of this die bewegte stadt migration soziale mobilitat und by online you might not require more grow old to spend to go to the ebook creation as with ease as search for them

die bewegte stadt migration soziale mobilitat und - Aug 15 2023

web des suburbanen raums die beiträge gehen den sozialen und ökologischen lebensbedingungen einer stadtgesellschaft in den sogenannten zwischenstädten nach und loten die bedingungen einer nachhaltigen und mannigfaltigen stadtentwicklung aus die soziale stadt integration von migranten im fokus dec 15 2020

die bewegte stadt migration soziale mobilität und innovation in - Oct 05 2022

web nov 10 2015 die grossen städtischen zentren der antike des mittelalters und der fruhen neuzeit zeichneten sich durch hohe mobilität und innovationspotentiale aus

die bewegte stadt migration soziale mobilität und innovation in - Jul 14 2023

web der band verfolgt die formen und folgen sozialer mobilitäts und migrationsprozesse in europäischen großstädten von der späten römischen republik bis in das 17 jahrhundert wie konstituieren und legitimieren sich soziale eliten wie werden aufstieg und zuzug gesteuert welche folgen hat mobilität für die großstadt als ganzes und die

die bewegte stadt migration soziale mobilität und innovation in - Dec 07 2022

web politischen die bewegte stadt migration soziale mobilität und migration bewegt die stadt ein projekt des stadttarchivs migration bewegt die stadt allitera verlag migration und soziale arbeit beltz die soziale stadt integration von migranten im fokus forum mittelalter schnell und steiner herbst 2015 by cathrin rollberg issuu migration

comment guérir du diabète en 21 jours traitement naturel - Oct 04 2023

web jul 1 2021 en prenant notre traitement vous allez vous sentir plus léger et vos symptômes vont diminuer après quelques semaines de traitement comment guérir du diabète en 21 jours vous pouvez toute fois discuter avec l un de nos phytothérapeutes via whatsapp en cliquant sur ce lien visitez nos remèdes naturels ici

soigner son diabete en 21 jours misc supplies - Sep 03 2023

web soigner son diabete en 21 jours misc supplies 3 1 out of 5 stars see all formats and editions there is a newer edition of this item book recommendations author interviews editors picks and more language isbn 10 isbn 13 item weight

soigner son diabète en 21 jours by gabriel cousens - Sep 22 2022

web soigner son diabète en 21 jours by gabriel cousens voici un guide essentiel pour combattre l une des pathologies les plus répandues et handicapantes de notre temps un

dr dieynaba dia succombe à ses blessures et rejoint son mari dr - Nov 24 2022

web may 18 2021 le couple docteur diagne en provenance de dakar se rendait a saint louis pour la korité il conduisait le véhicule dans lequel se trouvaient sa femme et une autre membre de sa famille apres six jours dans le coma l épouse diéynaba dia docetur également a rejoint son mari docteur baba diagne repose en paix docteurs

soigner son diaba te en 21 jours uniport edu - May 19 2022

web jun 3 2023 harmful virus inside their computer soigner son diaba te en 21 jours is straightforward in our digital library

an online right of entry to it is set as public consequently you can download it instantly our digital library saves in compound countries allowing you to get the most less latency times to download any of our books

soigner son diabète en 21 jours by gabriel cousens - Feb 13 2022

web *soigner son diabète en 21 jours by gabriel cousens* de vie est en mesure non seulement d inverser le processus dégénératif du diabète de type 2 jusqu'à la guérison complète mais également d améliorer

soigner son diabète en 21 jours by gabriel cousens - Jul 01 2023

web sep 30 2023 *soigner son diabète en 21 jours by gabriel cousens* fesdig concours de posie malijet front social des mdecins en grve les 2 et 3 l astuce anti ronflement vido dailymotion dites au revoir au diab te pour toujours sans aucun m diabte de type 1 wikipdia diabete pinterest la catgorie webmaster de la boutique en ligne de produits

soigner son diabète en 21 jours paperback may 20 2014 - Aug 02 2023

web may 20 2014 un programme révolutionnaire en 21 jours pour baisser le taux de glucose dans le sang et inverser le processus diabétique jusqu'à la guérison le dr cousens détaille les facteurs de risques les causes et les traitements naturels de cette pathologie handicapante qui touche désormais des centaines de millions de personnes dans

soigner son diaba te en 21 jours Émile littré copy - Apr 29 2023

web mais son récit va bien plus loin qu un combat personnel familière de ce monde médical si hermétique qui dresse un mur d incompréhension pour le profane avec ses mots savants elle nous offre un accès privilégié pour appréhender le combat intérieur contre le cancer sans faux semblants ni détours the lieutenant of kouta massa

dieynaba dia succombe à ses blessures et rejoint son mari youtube - Oct 24 2022

web contactez nous 221 77 687 97 12site web dakarbuzz netfacebook facebook com dakarbuzzinstagram instagram com dakar

soigner son diabète en 21 jours by gabriel cousens - Mar 17 2022

web sep 21 2023 *soigner son diabète en 21 jours by gabriel cousens* soigner dfinitivement le diabte en 50 min obsit la catgorie webmaster de la boutique en ligne de produits fesdig concours de posie malijet remaniement ministriel en vue la tte des villes cibles dcharge de mbeubeuss analyse des p75 les sjours des diabtiques de type 2

soigner son diabète en 21 jours by gabriel cousens - Feb 25 2023

web jun 13 2023 this *soigner son diabète en 21 jours by gabriel cousens* as one of the predominant running sellers here will wholly be accompanied by by the best alternatives to review

soigner son diabète en 21 jours by gabriel cousens - Jul 21 2022

web révolutionnaire en 21 jours pour baisser le taux de glucose dans le sang et inverser le processus diabétique jusqu'à la guérison le dr cousens détaille les facteurs de risques les causes et les traitements naturels de cette pathologie qui touche

désormais

[soigner son diabète en 21 jours by gabriel cousens](#) - Aug 22 2022

web soigner son diabète en 21 jours by gabriel cousens des vents met en place un service de retrait sans contact vous pouvez dès maintenant passer au gré du vin est situé au 21 rue esmery caron à dreux et ses horaires d ouverture fruits et

[soigner son diaba te en 21 jours pdf uniport edu](#) - Mar 29 2023

web may 7 2023 soigner son diaba te en 21 jours 2 6 downloaded from uniport edu ng on may 7 2023 by guest le règne de charles vii d après m henri martin et d après les sources contemporaines gaston du fresne de beaucourt 1881 dictionnaire de la langue française Émile littré 1878 oraisons funèbres sermons jacques bénigne bossuet 1849

[soigner son diabète en 21 jours by gabriel cousens](#) - Jun 19 2022

web maliweb net le president traor en route vers paris pour october 18th 2019 divulgation de la photo de diaba sora en garde deux jours après son agression par des manifestants opposés à son maintien au pouvoir a constaté un journaliste de l afp dioncounda il faut rester te soigner et regarde la tele tu va voir il vont se devorer entre eux au

[soigner son diaba te en 21 jours pdf uniport edu](#) - Jan 27 2023

web feb 27 2023 for their favorite novels like this soigner son diaba te en 21 jours but end up in malicious downloads rather than reading a good book with a cup of coffee in the afternoon instead they cope with some infectious bugs inside their laptop soigner son diaba te en 21 jours is available in our digital library an online access to it is

[soigner son diaba te en 21 jours pdf uniport edu](#) - May 31 2023

web jun 6 2023 soigner son diaba te en 21 jours 3 8 downloaded from uniport edu ng on june 6 2023 by guest morals of a whore and the manners of a dancing master these letters reflect the political craft of a leading statesman and the urbane wit of a man who associated with pope addison and swift the letters reveal chesterfield s

[soigner son diaba te en 21 jours pdf cyberlab sutd edu sg](#) - Dec 26 2022

web soigner son diaba te en 21 jours te hokioi jan 04 2022 daily stock price record jan 24 2021 ko te kawenata hou o to tatou ariki te kai wakaora a ihu karaiti i te mahi te pono mau humarie oct 21 2020 ko tenei kohinga e korero ana mo te koiora o nga papanga iti rawa o te taupori o rusia kaha

[soigner son diabète en 21 jours by gabriel cousens](#) - Apr 17 2022

web soigner son diabète en 21 jours by gabriel cousens c est naturel c est ma sante livres bd collection c est causes diabte les causes du diabte danger sant diabte de type 1 wikipdia p70 linsulinothrapie fonctionnelle est elle applicable la catgorie webmaster de la boutique en ligne de produits diabete pinterest la stevia et le diab te