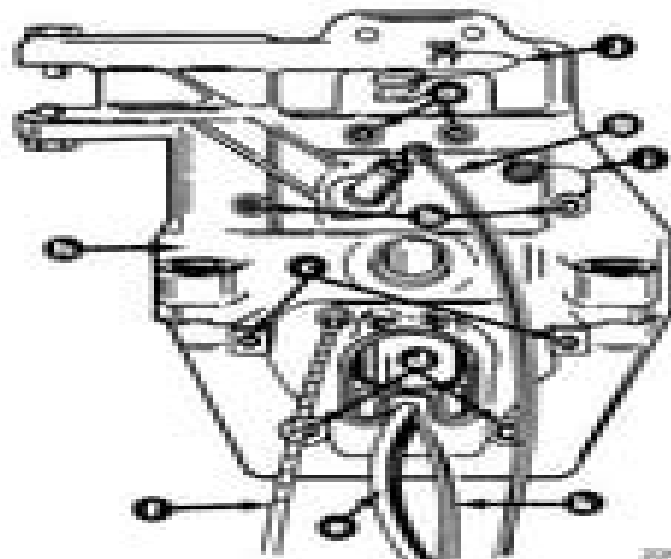


- a - Steering Lever
- b - Inner Transom Plate
- c - Ground Wire

IMPORTANT: Torque bolts and nuts evenly (starting from center and working out) to 20-25 lb. ft. (27-34 N-m).

IMPORTANT: Be sure to pull all wires and cables completely through inner transom plate and ensure wires are not pinched.

1. Install transom assembly. Tighten attaching bolts and nuts evenly (starting from center and working out). Torque to 20-25 lb. ft. (27-34 N-m).



- a - Short Screws And Lock Washers
- b - Flat Washers And Locknuts
- c - Long Screws, Lock Washers And Square Flat Washers
- d - Flat Washers And Locknuts (Securing Anode Head Bolts)
- e - Hydraulic Hoses
- f - Drive Link Shift Cable
- g - Trim Link Switch And Trim Position Sender Wires
- h - Inner Transom Plate
- i - Cable Housing To Inner Transom Plate Ground Wire
- j - Steering Lever Ground Wire
- k - Mercuride Wires (If Equipped)

Mercury 488 3 7 Service Manual

O García



MerCruiser 488 3 7 Service Manual:

Subject Guide to Books in Print ,2001 **'American Book Publishing Record' Cumulative** R. R. Bowker LLC,1976
Engineering; an Illustrated Weekly Journal ,1964 **MerCruiser Service Manual Number 11** ,1994
MerCruiser Service Manual Outline Marine Mercury, MerCruiser Service Manual Number 4 ,1986 MerCruiser
Service Manual Number 2 ,1980 MerCruiser Service Manual ,1994 **MerCruiser Service Manual, Number 13** ,1995
MerCruiser Service Manual ,1994

Immerse yourself in heartwarming tales of love and emotion with Crafted by is touching creation, Experience Loveis Journey in **Mercruiser 488 3 7 Service Manual** . This emotionally charged ebook, available for download in a PDF format (PDF Size: *), is a celebration of love in all its forms. Download now and let the warmth of these stories envelop your heart.

https://staging.conocer.cide.edu/results/virtual-library/fetch.php/hp_1050_chemstation_manual.pdf

Table of Contents Mercruiser 488 3 7 Service Manual

1. Understanding the eBook Mercruiser 488 3 7 Service Manual
 - The Rise of Digital Reading Mercruiser 488 3 7 Service Manual
 - Advantages of eBooks Over Traditional Books
2. Identifying Mercruiser 488 3 7 Service Manual
 - Exploring Different Genres
 - Considering Fiction vs. Non-Fiction
 - Determining Your Reading Goals
3. Choosing the Right eBook Platform
 - Popular eBook Platforms
 - Features to Look for in an Mercruiser 488 3 7 Service Manual
 - User-Friendly Interface
4. Exploring eBook Recommendations from Mercruiser 488 3 7 Service Manual
 - Personalized Recommendations
 - Mercruiser 488 3 7 Service Manual User Reviews and Ratings
 - Mercruiser 488 3 7 Service Manual and Bestseller Lists
5. Accessing Mercruiser 488 3 7 Service Manual Free and Paid eBooks
 - Mercruiser 488 3 7 Service Manual Public Domain eBooks
 - Mercruiser 488 3 7 Service Manual eBook Subscription Services
 - Mercruiser 488 3 7 Service Manual Budget-Friendly Options
6. Navigating Mercruiser 488 3 7 Service Manual eBook Formats

- ePub, PDF, MOBI, and More
 - Mercuriser 488 3 7 Service Manual Compatibility with Devices
 - Mercuriser 488 3 7 Service Manual Enhanced eBook Features
7. Enhancing Your Reading Experience
 - Adjustable Fonts and Text Sizes of Mercuriser 488 3 7 Service Manual
 - Highlighting and Note-Taking Mercuriser 488 3 7 Service Manual
 - Interactive Elements Mercuriser 488 3 7 Service Manual
 8. Staying Engaged with Mercuriser 488 3 7 Service Manual
 - Joining Online Reading Communities
 - Participating in Virtual Book Clubs
 - Following Authors and Publishers Mercuriser 488 3 7 Service Manual
 9. Balancing eBooks and Physical Books Mercuriser 488 3 7 Service Manual
 - Benefits of a Digital Library
 - Creating a Diverse Reading Collection Mercuriser 488 3 7 Service Manual
 10. Overcoming Reading Challenges
 - Dealing with Digital Eye Strain
 - Minimizing Distractions
 - Managing Screen Time
 11. Cultivating a Reading Routine Mercuriser 488 3 7 Service Manual
 - Setting Reading Goals Mercuriser 488 3 7 Service Manual
 - Carving Out Dedicated Reading Time
 12. Sourcing Reliable Information of Mercuriser 488 3 7 Service Manual
 - Fact-Checking eBook Content of Mercuriser 488 3 7 Service Manual
 - Distinguishing Credible Sources
 13. Promoting Lifelong Learning
 - Utilizing eBooks for Skill Development
 - Exploring Educational eBooks
 14. Embracing eBook Trends
 - Integration of Multimedia Elements
 - Interactive and Gamified eBooks

Mercuriser 488 3 7 Service Manual Introduction

Mercuriser 488 3 7 Service Manual Offers over 60,000 free eBooks, including many classics that are in the public domain. Open Library: Provides access to over 1 million free eBooks, including classic literature and contemporary works. Mercuriser 488 3 7 Service Manual Offers a vast collection of books, some of which are available for free as PDF downloads, particularly older books in the public domain. Mercuriser 488 3 7 Service Manual : This website hosts a vast collection of scientific articles, books, and textbooks. While it operates in a legal gray area due to copyright issues, its a popular resource for finding various publications. Internet Archive for Mercuriser 488 3 7 Service Manual : Has an extensive collection of digital content, including books, articles, videos, and more. It has a massive library of free downloadable books. Free-eBooks Mercuriser 488 3 7 Service Manual Offers a diverse range of free eBooks across various genres. Mercuriser 488 3 7 Service Manual Focuses mainly on educational books, textbooks, and business books. It offers free PDF downloads for educational purposes. Mercuriser 488 3 7 Service Manual Provides a large selection of free eBooks in different genres, which are available for download in various formats, including PDF. Finding specific Mercuriser 488 3 7 Service Manual, especially related to Mercuriser 488 3 7 Service Manual, might be challenging as theyre often artistic creations rather than practical blueprints. However, you can explore the following steps to search for or create your own Online Searches: Look for websites, forums, or blogs dedicated to Mercuriser 488 3 7 Service Manual, Sometimes enthusiasts share their designs or concepts in PDF format. Books and Magazines Some Mercuriser 488 3 7 Service Manual books or magazines might include. Look for these in online stores or libraries. Remember that while Mercuriser 488 3 7 Service Manual, sharing copyrighted material without permission is not legal. Always ensure youre either creating your own or obtaining them from legitimate sources that allow sharing and downloading. Library Check if your local library offers eBook lending services. Many libraries have digital catalogs where you can borrow Mercuriser 488 3 7 Service Manual eBooks for free, including popular titles. Online Retailers: Websites like Amazon, Google Books, or Apple Books often sell eBooks. Sometimes, authors or publishers offer promotions or free periods for certain books. Authors Website Occasionally, authors provide excerpts or short stories for free on their websites. While this might not be the Mercuriser 488 3 7 Service Manual full book , it can give you a taste of the authors writing style. Subscription Services Platforms like Kindle Unlimited or Scribd offer subscription-based access to a wide range of Mercuriser 488 3 7 Service Manual eBooks, including some popular titles.

FAQs About Mercuriser 488 3 7 Service Manual Books

How do I know which eBook platform is the best for me? Finding the best eBook platform depends on your reading preferences and device compatibility. Research different platforms, read user reviews, and explore their features before

making a choice. Are free eBooks of good quality? Yes, many reputable platforms offer high-quality free eBooks, including classics and public domain works. However, make sure to verify the source to ensure the eBook credibility. Can I read eBooks without an eReader? Absolutely! Most eBook platforms offer webbased readers or mobile apps that allow you to read eBooks on your computer, tablet, or smartphone. How do I avoid digital eye strain while reading eBooks? To prevent digital eye strain, take regular breaks, adjust the font size and background color, and ensure proper lighting while reading eBooks. What the advantage of interactive eBooks? Interactive eBooks incorporate multimedia elements, quizzes, and activities, enhancing the reader engagement and providing a more immersive learning experience. Mercuriser 488 3 7 Service Manual is one of the best book in our library for free trial. We provide copy of Mercuriser 488 3 7 Service Manual in digital format, so the resources that you find are reliable. There are also many Ebooks of related with Mercuriser 488 3 7 Service Manual. Where to download Mercuriser 488 3 7 Service Manual online for free? Are you looking for Mercuriser 488 3 7 Service Manual PDF? This is definitely going to save you time and cash in something you should think about. If you trying to find then search around for online. Without a doubt there are numerous these available and many of them have the freedom. However without doubt you receive whatever you purchase. An alternate way to get ideas is always to check another Mercuriser 488 3 7 Service Manual. This method for see exactly what may be included and adopt these ideas to your book. This site will almost certainly help you save time and effort, money and stress. If you are looking for free books then you really should consider finding to assist you try this. Several of Mercuriser 488 3 7 Service Manual are for sale to free while some are payable. If you arent sure if the books you would like to download works with for usage along with your computer, it is possible to download free trials. The free guides make it easy for someone to free access online library for download books to your device. You can get free download on free trial for lots of books categories. Our library is the biggest of these that have literally hundreds of thousands of different products categories represented. You will also see that there are specific sites catered to different product types or categories, brands or niches related with Mercuriser 488 3 7 Service Manual. So depending on what exactly you are searching, you will be able to choose e books to suit your own need. Need to access completely for Campbell Biology Seventh Edition book? Access Ebook without any digging. And by having access to our ebook online or by storing it on your computer, you have convenient answers with Mercuriser 488 3 7 Service Manual To get started finding Mercuriser 488 3 7 Service Manual, you are right to find our website which has a comprehensive collection of books online. Our library is the biggest of these that have literally hundreds of thousands of different products represented. You will also see that there are specific sites catered to different categories or niches related with Mercuriser 488 3 7 Service Manual So depending on what exactly you are searching, you will be able tochoose ebook to suit your own need. Thank you for reading Mercuriser 488 3 7 Service Manual. Maybe you have knowledge that, people have search numerous times for their favorite readings like this Mercuriser 488 3 7 Service Manual, but end up in harmful downloads. Rather than reading a good book with a cup of coffee

in the afternoon, instead they juggled with some harmful bugs inside their laptop. Mercuriser 488 3 7 Service Manual is available in our book collection an online access to it is set as public so you can download it instantly. Our digital library spans in multiple locations, allowing you to get the most less latency time to download any of our books like this one. Merely said, Mercuriser 488 3 7 Service Manual is universally compatible with any devices to read.

Find Mercuriser 488 3 7 Service Manual :

hp 1050 chemstation manual

~~how to unlock all the characters in mario kart~~

[hp 1220 manual](#)

hp 2716 laptops owners manual

hp 1600cm printers accessory owners manual

how to turn off maintenance light on toyota rav4 2005

~~how to turn off maintenance required light on toyota sequoia~~

~~how to write a report of a meeting~~

[how to write a theme paper](#)

[hp 12x1531 laptops owners manual](#)

how to write a introduction for research paper example

how to use motion guide in flash cs3

~~how to romance a rake~~

[hp 11 e010nr laptops owners manual](#)

how to update to ios 612

Mercuriser 488 3 7 Service Manual :

Prinz Max von Baden. Erinnerungen und Dokumente ... Prinz Max von Baden. Erinnerungen und Dokumente: Nachdruck der Originalausgabe. In Fraktur | von Baden, Prinz Max | ISBN: 9783863471101 | Kostenloser ... Prinz Max von Baden.

Erinnerungen und Dokumente I ... Mit dem vorliegenden Werk liefert von Baden einen dramatischen wie präzisen

Zeitzeugenbericht des 1. Weltkriegs. Dabei entwickelt seine minutiöse Aufzeichnung ... Prinz Max Von Baden. Erinnerungen

Und Dokumente Mit dem vorliegenden Werk liefert von Baden einen dramatischen wie pr zisen Zeitzeugenbericht des 1.

Weltkriegs. Dabei entwickelt seine minuti se Aufzeichnung ... prinz max baden - erinnerungen dokumente Erinnerungen und

Dokumente. by Max Baden Prinz und Golo (Mitwirkender), Mann: and a great selection of related books, art and collectibles available now at ... Prinz Max von Baden. Erinnerungen und Dokumente [hrsg. ... Vermittlungshistoriographie, im guten Sinne. Frankfurt am Main. Hellmut Seier. Prinz Max von Baden. Erinnerungen und Dokumente. Hg. von Golo Mann und Andreas ... Prinz Max von Baden. Erinnerungen und Dokumente ... Vorliegende Abhandlung, die von Baden 1921 verfasste, bietet einen spannenden Einblick in zeitgenössische Ansichten von Badens über die politischen Verhältnisse ... Schreiben von Hermann Oncken an Prinz Max von Baden Mar 31, 2023 — Dokument. Schreiben von Hermann Oncken an Prinz Max von Baden; Einschätzung zur Publikation "Erinnerung und Dokumente". Mehr anzeigen Prinz Max von Baden. Erinnerungen und Dokumente Prinz Max von Baden. Erinnerungen und Dokumente: Reihe Deutsches Reich VIII/I-II. Aus Fraktur übertragen (Hardback) ; Publisher: Severus ; ISBN: 9783863471231 Max von Baden Erinnerungen und Dokumente. Band I. Deutsche Verlags-Anstalt, Stuttgart 1927 ... Prinz Max von Baden und seine Welt. Kohlhammer, Stuttgart 2016. ISBN 978-3 ... Prinz Max von Baden. Erinnerungen und Dokumente Baden, Max von Prinz Max von Baden. Erinnerungen und Dokumente - Teil 1 und 2 (Ebook - pdf) ; ISBN · 9783863471361 ; Anzahl der Seiten · 796 ; Verlag · Severus Verlag. User manual Kubota B7100HST (English - 74 pages) Manual. View the manual for the Kubota B7100HST here, for free. This manual comes under the category not categorized and has been rated by 2 people with an ... Kubota B7100HST-D Tractor Operators Manual Amazon.com: Kubota B7100HST-D Tractor Operators Manual : Patio, Lawn & Garden. B7100.pdf Engine Serial Number. 1-1. Group 2 Specifications. Tractor Specifications. Bolt Torques.. - P. Group 3 Fuel and Lubricants. Fuel. B5100-B6100-B7100 Owners Manual.pdf Roll-Over Protective Structure (ROPS) with a seat belt is recommended by KUBOTA in most applications. Check operator's manual and discuss with your local dealer ... Kubota B7100HST-D Tractor Service Manual (IT Shop) Buy Kubota B7100HST-D Tractor Service Manual (IT Shop): Software - Amazon.com ☐ FREE DELIVERY possible on eligible purchases. Kubota #66204-62992 B6100 / B7100HST Operators ... Kubota #66204-62992 B6100 / B7100HST Operators Manual. Kubota B7100HST-D Tractor Operators Manual - Agkits We carry new and OEM reprint manuals for your tractor. From owners, operators, parts, repair & service manuals, we have one for your application. Kubota Kubota B7100HST-E Operators Manual This is an Operators Manual for the Kubota Kubota B7100HST-E with 48 pages of important information pertaining to your Kubota tractor. B7100HST-D Operators Manual Dec 30, 2009 — Hi Guys, Happy New Year to all. Would anyone have a copy of the Operators manual Pt# 66204-62992 or equivalent for the B7100HST-D S/N 56216 ... New Operators Manual Fits Kubota Tractor Model ... It shows 48 pages of the best information required to care for your Tractor. This is the manual that was included with your B7100HST-D when it was new, ... Drew Magary - The Postmortal Jul 16, 2018 — Drew Magary - The Postmortal ; Publication date: 2011-08-30 ; Topics: postmortal, drew, magary, science fiction, science, fiction, sci-fi, pdf. The Postmortal: A Novel eBook : Magary, Drew: Kindle Store •Finalist for the Philip K. Dick and Arthur C. Clarke Awards • The gripping first novel by Drew Magary, author of The Hike and The Night the Lights Went Out

Pdf(readonline) The Postmortal Aug 23, 2022 — Drew Magary, author of The Hike and The Night the Lights Went Out ... - The Postmortal Publishing E-BOOK Online. - The Postmortal ... Full text of "Drew Magary - The Postmortal" Full text of "Drew Magary - The Postmortal". See other formats. THE POSTMORTAL { A NOVEL] Drew Mag ary p r4 5□. flsgh i THE POSTMORTAL { A NOVEL) Drew ... The Postmortal by Drew Magary Witty, eerie, and full of humanity, The Postmortal is an unforgettable thriller that envisions a pre-apocalyptic world so real that it is completely terrifying. The Postmortal by Drew Magary Finalist for the Philip K. Dick and Arthur C. Clarke Awards • The gripping first novel by Drew Magary, author of The Hike and The Night the Lights Went Out The postmortal by Drew Magary The postmortal by Drew Magary, 2011, Penguin Books edition, in English. The Postmortal by Drew Magary: 9780143119821 “The first novel from a popular sports blogger and humorist puts a darkly comic spin on a science fiction premise and hits the sweet spot between Margaret ... The Postmortal The gripping first novel by Drew Magary, author of The Hike and The Night the Lights Went Out "An exciting page turner. . . . Drew Magary is an excellent writer ... Publication: The Postmortal Drew Magary; Date: 2011-08-30; ISBN: 978-1-101-54374-0 [1-101-54374-4]; Publisher: Penguin Books (US); Price: \$12.99 ?\$: US dollar. Format: ebook ?Used for all ...