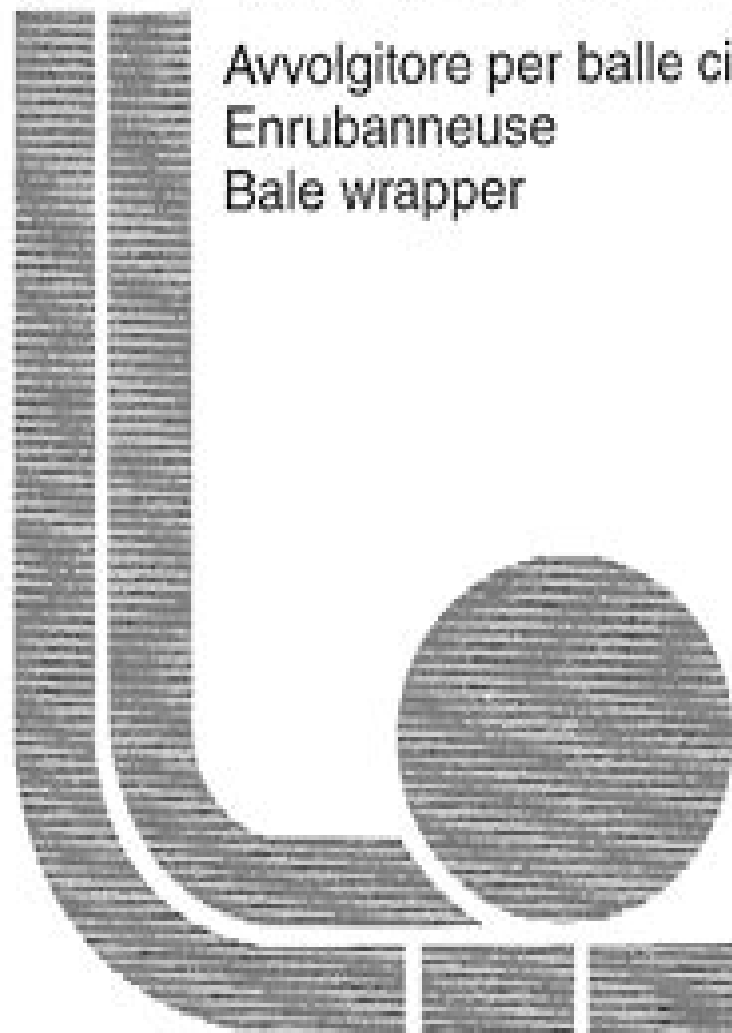
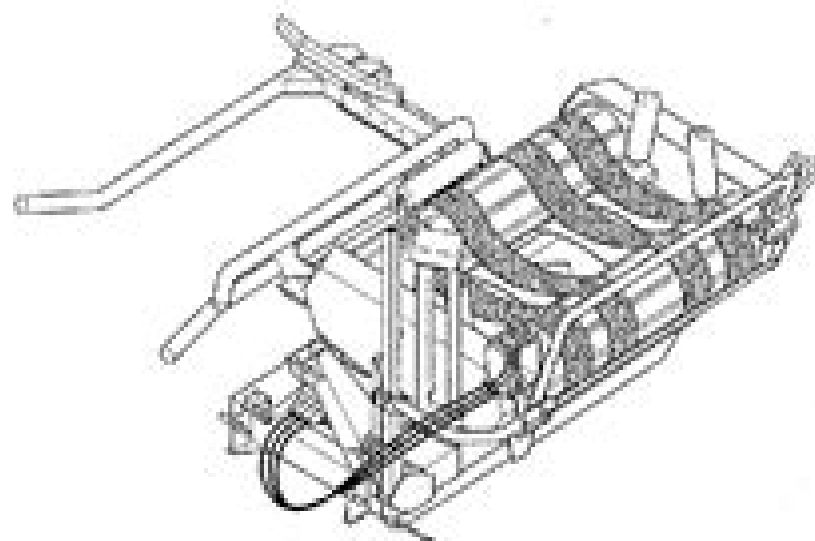


GALLIGNANI

G200

Avvolgitore per balle cilindriche
Enrubanneuse
Bale wrapper



catalogo parti di ricambio
pieces de rechange
spare parts list

Annullo e metalloso
Annulo et metalloso
Annulo and metalloso

2

01-12-96

N. 98.09.132

Galignani Wrapper Manual G200

Siddappa N.Byrareddy



Galignani Wrapper Manual G200:

As recognized, adventure as skillfully as experience practically lesson, amusement, as without difficulty as conformity can be gotten by just checking out a book **Gallignani Wrapper Manual G200** as well as it is not directly done, you could understand even more almost this life, on the subject of the world.

We have the funds for you this proper as without difficulty as easy artifice to get those all. We pay for Gallignani Wrapper Manual G200 and numerous book collections from fictions to scientific research in any way. in the course of them is this Gallignani Wrapper Manual G200 that can be your partner.

https://staging.conocer.cide.edu/public/virtual-library/index.jsp/education_and_the_teacher_unions_issues_in_education_s.pdf

Table of Contents Gallignani Wrapper Manual G200

1. Understanding the eBook Gallignani Wrapper Manual G200
 - The Rise of Digital Reading Gallignani Wrapper Manual G200
 - Advantages of eBooks Over Traditional Books
2. Identifying Gallignani Wrapper Manual G200
 - Exploring Different Genres
 - Considering Fiction vs. Non-Fiction
 - Determining Your Reading Goals
3. Choosing the Right eBook Platform
 - Popular eBook Platforms
 - Features to Look for in an Gallignani Wrapper Manual G200
 - User-Friendly Interface
4. Exploring eBook Recommendations from Gallignani Wrapper Manual G200
 - Personalized Recommendations
 - Gallignani Wrapper Manual G200 User Reviews and Ratings
 - Gallignani Wrapper Manual G200 and Bestseller Lists
5. Accessing Gallignani Wrapper Manual G200 Free and Paid eBooks

- Gallignani Wrapper Manual G200 Public Domain eBooks
- Gallignani Wrapper Manual G200 eBook Subscription Services
- Gallignani Wrapper Manual G200 Budget-Friendly Options
- 6. Navigating Gallignani Wrapper Manual G200 eBook Formats
 - ePub, PDF, MOBI, and More
 - Gallignani Wrapper Manual G200 Compatibility with Devices
 - Gallignani Wrapper Manual G200 Enhanced eBook Features
- 7. Enhancing Your Reading Experience
 - Adjustable Fonts and Text Sizes of Gallignani Wrapper Manual G200
 - Highlighting and Note-Taking Gallignani Wrapper Manual G200
 - Interactive Elements Gallignani Wrapper Manual G200
- 8. Staying Engaged with Gallignani Wrapper Manual G200
 - Joining Online Reading Communities
 - Participating in Virtual Book Clubs
 - Following Authors and Publishers Gallignani Wrapper Manual G200
- 9. Balancing eBooks and Physical Books Gallignani Wrapper Manual G200
 - Benefits of a Digital Library
 - Creating a Diverse Reading Collection Gallignani Wrapper Manual G200
- 10. Overcoming Reading Challenges
 - Dealing with Digital Eye Strain
 - Minimizing Distractions
 - Managing Screen Time
- 11. Cultivating a Reading Routine Gallignani Wrapper Manual G200
 - Setting Reading Goals Gallignani Wrapper Manual G200
 - Carving Out Dedicated Reading Time
- 12. Sourcing Reliable Information of Gallignani Wrapper Manual G200
 - Fact-Checking eBook Content of Gallignani Wrapper Manual G200
 - Distinguishing Credible Sources
- 13. Promoting Lifelong Learning
 - Utilizing eBooks for Skill Development

- Exploring Educational eBooks
14. Embracing eBook Trends
- Integration of Multimedia Elements
 - Interactive and Gamified eBooks

Gallignani Wrapper Manual G200 Introduction

In this digital age, the convenience of accessing information at our fingertips has become a necessity. Whether its research papers, eBooks, or user manuals, PDF files have become the preferred format for sharing and reading documents. However, the cost associated with purchasing PDF files can sometimes be a barrier for many individuals and organizations. Thankfully, there are numerous websites and platforms that allow users to download free PDF files legally. In this article, we will explore some of the best platforms to download free PDFs. One of the most popular platforms to download free PDF files is Project Gutenberg. This online library offers over 60,000 free eBooks that are in the public domain. From classic literature to historical documents, Project Gutenberg provides a wide range of PDF files that can be downloaded and enjoyed on various devices. The website is user-friendly and allows users to search for specific titles or browse through different categories. Another reliable platform for downloading Gallignani Wrapper Manual G200 free PDF files is Open Library. With its vast collection of over 1 million eBooks, Open Library has something for every reader. The website offers a seamless experience by providing options to borrow or download PDF files. Users simply need to create a free account to access this treasure trove of knowledge. Open Library also allows users to contribute by uploading and sharing their own PDF files, making it a collaborative platform for book enthusiasts. For those interested in academic resources, there are websites dedicated to providing free PDFs of research papers and scientific articles. One such website is Academia.edu, which allows researchers and scholars to share their work with a global audience. Users can download PDF files of research papers, theses, and dissertations covering a wide range of subjects. Academia.edu also provides a platform for discussions and networking within the academic community. When it comes to downloading Gallignani Wrapper Manual G200 free PDF files of magazines, brochures, and catalogs, Issuu is a popular choice. This digital publishing platform hosts a vast collection of publications from around the world. Users can search for specific titles or explore various categories and genres. Issuu offers a seamless reading experience with its user-friendly interface and allows users to download PDF files for offline reading. Apart from dedicated platforms, search engines also play a crucial role in finding free PDF files. Google, for instance, has an advanced search feature that allows users to filter results by file type. By specifying the file type as "PDF," users can find websites that offer free PDF downloads on a specific topic. While downloading Gallignani Wrapper Manual G200 free PDF files is convenient, its important to note that copyright laws must be respected. Always ensure that the PDF files you download are

legally available for free. Many authors and publishers voluntarily provide free PDF versions of their work, but its essential to be cautious and verify the authenticity of the source before downloading Gallignani Wrapper Manual G200. In conclusion, the internet offers numerous platforms and websites that allow users to download free PDF files legally. Whether its classic literature, research papers, or magazines, there is something for everyone. The platforms mentioned in this article, such as Project Gutenberg, Open Library, Academia.edu, and Issuu, provide access to a vast collection of PDF files. However, users should always be cautious and verify the legality of the source before downloading Gallignani Wrapper Manual G200 any PDF files. With these platforms, the world of PDF downloads is just a click away.

FAQs About Gallignani Wrapper Manual G200 Books

How do I know which eBook platform is the best for me? Finding the best eBook platform depends on your reading preferences and device compatibility. Research different platforms, read user reviews, and explore their features before making a choice. Are free eBooks of good quality? Yes, many reputable platforms offer high-quality free eBooks, including classics and public domain works. However, make sure to verify the source to ensure the eBook credibility. Can I read eBooks without an eReader? Absolutely! Most eBook platforms offer web-based readers or mobile apps that allow you to read eBooks on your computer, tablet, or smartphone. How do I avoid digital eye strain while reading eBooks? To prevent digital eye strain, take regular breaks, adjust the font size and background color, and ensure proper lighting while reading eBooks. What the advantage of interactive eBooks? Interactive eBooks incorporate multimedia elements, quizzes, and activities, enhancing the reader engagement and providing a more immersive learning experience. Gallignani Wrapper Manual G200 is one of the best book in our library for free trial. We provide copy of Gallignani Wrapper Manual G200 in digital format, so the resources that you find are reliable. There are also many Ebooks of related with Gallignani Wrapper Manual G200. Where to download Gallignani Wrapper Manual G200 online for free? Are you looking for Gallignani Wrapper Manual G200 PDF? This is definitely going to save you time and cash in something you should think about.

Find Gallignani Wrapper Manual G200 :

[education and the teacher unions issues in education s.](#)

edmond a play

educating for a culture of social and ecological peace

~~edged weapons of hitlers germany~~

educational psychology the teachinglearning proceb

editing with final cut pro 4 an intermediate guide to setup and editing workflow

education and income determination in kenya

edith stein discovered a personal portrait

ed emberleys second drawing box

education and the integration of behavior

~~edith wharton the uncollected critical writings~~

eddie murphy comedian

edge of the light

~~educating citizens for global awareness~~

edition suhrkamp nr49 mutter courage und ihre kinder

Gallignani Wrapper Manual G200 :

ms word tests for exams certifications and interviews - Jan 08 2023

web test details this practice test divided into four tests ms word practice test set 1 30 questions 15 minutes 75 correct required to pass ms word practice test set 2 30 questions 15 minutes 75 correct required to pass ms word practice test set 3 30 questions 15 minutes 75 correct required to pass ms word

prepare for an exam microsoft learn - Jun 13 2023

web apr 6 2023 practice assessments on microsoft learn some exams have free practice assessments available in multiple languages that are delivered through microsoft learn to help you prepare for your exam practice assessments help you practice skills assess your knowledge and identify the areas where you need additional preparation to

microsoft office practice test free ms office online practice tests - Feb 26 2022

web microsoft office practice test assessment details microsoft office practice test 20 questions 20 marks 30 minutes details microsoft office training practice test to analyze your skills and knowledge base instructions to attempt this multiple choice test click the take test button

prepare for your microsoft word assessment test jobtestprep - Aug 03 2022

web jobtestprep offers a range of preparations options for microsoft word assessment tests according to test type expertise level and the microsoft word edition 10 13 we also offer a general test practice for candidates who do not know which test format to expect

microsoft word assessment tests practice questions - Mar 10 2023

web jun 8 2023 example interactive questions you will be given a word document that contains some text and will be asked to perform certain tasks

prep for certification exams with free practice assessments on - Oct 05 2022

web mar 6 2023 practice assessments provide instant feedback to highlight areas where you may need improvement a detailed explanation of the answer for every question along with links that point to additional resources can deepen

how to pass a microsoft word test free practice questions - May 12 2023

web a microsoft word test is an assessment designed to test your proficiency with using the programme the test focuses on a range of commonly used functions within microsoft word including document editing table and graphic

microsoft word quiz proprofs quiz - Jul 02 2022

web jul 7 2022 how much do you know about microsoft word think you can pass a test if you re a student preparing for a computer exam then look no further than this quiz the quiz can prove to be a good practice to test your microsoft word skills including shortcut keys header and footer document display settings etc

microsoft word practical test to assess advanced ms word - Jan 28 2022

web advanced ms word test our microsoft word practical test is the ideal pre hire assessment for recruiters hiring managers to assess a candidate s skills objectively before an interview advanced word test is useful for hiring ms word experts and has helped our customers reduce hiring cost by 40

practice assessments for microsoft certifications - Jul 14 2023

web aug 30 2023 we re excited to announce practice assessments on microsoft learn our newest free exam preparation resource that allows you to assess your knowledge and fill knowledge gaps so that you are better prepared for your certification exam these assessments provide you with an overview of the style wording and difficulty of the

ms word test testdome - Sep 04 2022

web ms word test testdome skill assessments are used by more than 11 000 companies and 1 030 000 test takers for jobseekers practice your skills and earn a certificate of achievement when you score in the top 25 take a practice test for companies test candidates with real world problems and interview the best ones sign up to offer this test

microsoft word test candidate screening assessment tg - Dec 07 2022

web summary of the microsoft word test this online microsoft word test evaluates candidates ability to use microsoft word in a business context this skills test will help you hire candidates who are proficient in word and can use it as part of the microsoft office suite to complete their work

word tests microsoft word questions tips psychometric - Mar 30 2022

web aug 9 2023 practice microsoft word test with jobtestprep what format is a microsoft word test likely to be as you may

expect your microsoft word assessment is highly likely to be interactive you will be asked to complete certain tasks replicating microsoft word s day to day use

free online microsoft word test isograd testing services - Nov 06 2022

web microsoft word tests assessment domains environment and methods page layout and formatting editing tools graphic objects and tables buy skills reports comprehensive and easy to interpret competency reports are generated at the end of each assessment test they help you to identify candidates skills at a glance

microsoft word assessment 2023 free practice test assessment - Aug 15 2023

web dec 27 2022 a free practice test is available for the word assessment test it s similar to what you will see in the prepacks and on the actual test it includes brief overviews of the test questions as well as providing useful diagrams that make understanding them a

microsoft office test practice word excel skills assessments - Apr 11 2023

web microsoft office practice tests jobtestprep offers you the opportunity to prepare for your microsoft excel and microsoft word assessment tests practicing microsoft excel and word questions greatly sharpens the skills evaluated on microsoft office tests and improves your chances to pass them

free microsoft word test preparation test prep xp - Apr 30 2022

web this is a free pre assessment guide for the microsoft word test here you can practice and improve your microsoft word skills with over 10 tests and sample questions

microsoft word skills assessment test criteria - Dec 27 2021

web about the word skills test identify the best candidates who are proficient in microsoft word using a fast and adaptive assessment the word test is designed to measure proficiency with a wide range of functionalities in microsoft word

microsoft word testlify - Jun 01 2022

web this test is to evaluate a person s current knowledge and skills in using microsoft word to identify areas for improvement or to certify that a person

[microsoft word practical test free practice questions jobtestprep](#) - Feb 09 2023

web ms word practical exam the microsoft word practical exam is used to measure your proficiency with ms word and its many functions the test format and difficulty depend on the position you are applying for however most exams will aim to cover basic intermediate and advanced word skills

vocabulary workshop third course lesson 3 flashcards quizlet - Sep 14 2023

web deeply religious sincere earnest heartfelt chivalry a medieval code of knighthood a code of honor and courtesy sovereign a ruler king queen emperor highest in power or rank quest a hunt or search a journey in search of seek study with quizlet

and memorize flashcards containing terms like prowess venerable medieval and more

vocabulary workshop word wall grade 3 download sadlier - May 30 2022

web serve as a reminder to use vocabulary words in directions and classroom discussions provide reference support for students during reading and writing activities fill out the form to download the vocabulary workshop word wall for grade 3 now this third grade printable word wall will ensure your students are never at a loss for vocabulary words

english workshop holt rinehart and winston inc free - Sep 02 2022

web v 1 introductory course v 2 first course v 3 second course v 4 third course v 5 fourth course v 6 fifth course v 7 complete course grades 6 12 includes index

vocabulary workshop level b unit 3 answers - Jun 11 2023

web jan 10 2022 new reading passages open each unit of vocabulary workshop at least 15 of the the 20 unit vocabulary words appear in each passage students read the words in context in informational texts to activate prior knowledge and then apply what they learn throughout the unit providing practice in critical reading skills

vocabulary workshop answers - Oct 15 2023

web vocabulary workshop level b unit 4 answers vocabulary workshop level b unit 4 answers sadlier vocabulary workshop enriched edition common core edition level 11 january 2022 vocabulary workshop level b unit 5 answers vocabulary workshop level b unit 5 answers sadlier vocabulary workshop enriched edition common

vocabulary workshop teacher s answer key introductory - Dec 05 2022

web apr 30 2011 vocabulary workshop teacher s answer key introductory through complete course vocabulary workshop by 1988 harcourt brace edition paperback in english benchmark edition edition vocabulary workshop teacher s answer key introductory through complete course vocabulary workshop open library

english vocabulary for third grade grade 3 primary 3 - Feb 24 2022

web english vocabulary for fifth grade grade 5 primary 5 usd11 99 p3eomc english oral and model compositions for third grade grade 3 primary 3 usd16 99 p3iqm iq maths for third grade grade 3 primary 3 usd16 99 p3nspm new syllabus primary mathematics for third grade grade 3 primary 3 2nd edition package usd49 99

[vocabulary workshop elements of language grade 9 3rd course](#) - Jun 30 2022

web jul 15 2000 vocabulary workshop elements of language grade 9 3rd course contains words in context analogies synonyms prefixes suffixes and roots

vocabulary workshop third course answer key uniport edu - Mar 28 2022

web is an entirely simple means to specifically acquire guide by on line this online broadcast vocabulary workshop third course answer key can be one of the options to accompany you as soon as having additional time it will not waste your time

agree to me the e book will entirely ventilate you further matter to read just invest

vocabulary workshop third course lesson 2 flashcards quizlet - Jul 12 2023

web havoc n destruction devastation recede v to move back to move away to lessen or fade meander v to follow a twisting turning course to wander without direction dexterity n skillfulness expertness talent eradicate v to pull up

elements of language vocabulary workshop answer keys - Nov 04 2022

web jan 1 2000 elements of language vocabulary workshop answer keys holt rinehart and winston inc on amazon com free shipping on qualifying offers

vocabulary for achievement third course 9780669517576 quizlet - Aug 13 2023

web our resource for vocabulary for achievement third course includes answers to chapter exercises as well as detailed information to walk you through the process step by step with expert solutions for thousands of practice problems you can take the guesswork out of studying and move forward with confidence

english workshop third course answers - Oct 03 2022

web holt vocab workshop third course lessons 1 10 flashcards warriner s handbook pdf wordpress com english workshop internet archive december 21st 2019 abebooks com teacher s notes with answer keys english workshop third course 9780030971907 by n a and a great selection of similar new used and collectible books available now at

holt traditions vocabulary workshop third course lesson 23 - Feb 07 2023

web adj expecting the best inclined to look on the bright side cheerful hopeful perceptible adj noticeable observable perceivable holt traditions vocabulary workshop third

vocabulary workshop third course answer key copy uniport edu - Apr 09 2023

web yeah reviewing a book vocabulary workshop third course answer key could mount up your close associates listings this is just one of the solutions for you to be successful as understood expertise does not recommend that you have astonishing points

the ultimate answer key vocabulary for achievement third course - Mar 08 2023

web looking for the answer key for vocabulary for achievement third course get the complete answer key to enhance your learning and improve your vocabulary skills perfect for students studying english as a second language or for those looking to expand their word knowledge and boost their academic achievements

vocabulary workshop answer keys open library - Jan 06 2023

web dec 7 2022 vocabulary workshop answer keys by rinehart and winston holt 2000 holt rinehart and winston edition in english

holt vocabulary workshop third course lesson 11 quizlet - May 10 2023

web holt vocabulary workshop third course lesson 9 10 terms amer adel verified questions history of the americas recognize propaganda how did the yellow press contribute to u s actions against spain verified answer vocabulary study the entries and answer the question that follows the root ject means throw the root tract

vocabulary workshop level a unit 3 vocabtest com - Aug 01 2022

web 2 vocabulary power plus book one book two book three book four 3 wordly wise 3000 book 5 book 6 book 7 book 8 book 9 book 10 book 11 book 12 vocabtest com material based on words found in vocabulary workshop level a unit 3

vocabulary workshop third course answer key uniport edu - Apr 28 2022

web oct 10 2023 vocabulary workshop third course answer key is available in our book collection an online access to it is set as public so you can download it instantly our book servers spans in multiple locations allowing you to get the most less latency time to

unternehmensbewertung kennzahlenanalyse praxisnahe einführung mit - Apr 19 2023

web dieses buch beantwortet diese fragen und stellt die unternehmensbewertung praxisnah verständlich und anwendbar dar mehr als 100 fallbeispiele führen anschaulich und nachvollziehbar durch die welt der unternehmensbewertung

unternehmensbewertung kennzahlenanalyse praxisnahe - Aug 11 2022

web unternehmensbewertung kennzahlenanalyse praxisnahe einführung mit zahlreichen fallbeispielen börsennotierter unternehmen softcover schmidlin nicolas 4 33 avg rating 85 ratings by goodreads isbn 10 3800663449 isbn 13 9783800663446 publisher vahlen franz gmbh 2020 this specific isbn edition is currently not available

unternehmensbewertung kennzahlenanalyse beck elibrary - Feb 17 2023

web dieses buch beantwortet diese fragen und stellt die unternehmensbewertung praxisnah verständlich und anwendbar dar mehr als 100 fallbeispiele führen anschaulich und nachvollziehbar durch die welt der unternehmensbewertung aus dem inhalt kennzahlenanalyse und interpretation analyse des geschäftsmodells aktienanalyse

unternehmensbewertung kennzahlenanalyse net framework - Jan 04 2022

web unternehmensbewertung kennzahlenanalyse praxisnahe einführung mit zahlreichen fallbeispielen börsennotierter unternehmen von nicolas schmidlin 2 überarbeitete auflage unternehmensbewertung kennzahlenanalyse schmidlin schnell und portofrei erhältlich bei beck shop de die fachbuchhandlung thematische

unternehmensbewertung kennzahlenanalyse praxisnahe - Jun 21 2023

web dieses buch beantwortet diese fragen und stellt die unternehmensbewertung praxisnah verständlich und anwendbar dar mehr als 100 fallbeispiele führen anschaulich und nachvollziehbar durch die welt der unternehmensbewertung

unternehmensbewertung kennzahlenanalyse google books - Jan 16 2023

web oct 2 2020 dieses buch beantwortet diese fragen und stellt die unternehmensbewertung praxisnah verständlich und

anwendbar dar mehr als 100 fallbeispiele führen anschaulich und nachvollziehbar durch die

unternehmensbewertung kennzahlenanalyse praxisnahe - Sep 12 2022

web get this from a library unternehmensbewertung kennzahlenanalyse praxisnahe einföhrung mit zahlreichen beispielen börsennotierter unternehmen nicolas schmidlin

unternehmensbewertung kennzahlenanalyse praxisnahe - Apr 07 2022

web download pdf book unternehmensbewertung kennzahlenanalyse praxisnahe einföhrung mit zahlreichen fallbeispielen börsennotierter unternehmen 2th edition authors schmidlin nicolas isbn 9783800645640 year 2013

editions of unternehmensbewertung kennzahlenanalyse - Oct 13 2022

web editions for unternehmensbewertung kennzahlenanalyse praxisnahe einföhrung mit zahlreichen fallbeispielen börsennotierter unternehmen kindle edition

unternehmensbewertung kennzahlenanalyse praxisnahe - Jul 22 2023

web anleger finden in diesem buch hilfreiche tipps zur kennzahlenanalyse unternehmensbewertung und zum thema value investing viele praxisnahe beispiele veranschaulichen das recht komplexe thema der unternehmensbewertung das kapitel unternehmensbewertung kommt allerdings etwas zu kurz

kennzahlen zur bilanzanalyse und zur unternehmensbewertung - Feb 05 2022

web kennzahlen zur bilanzanalyse und zur unternehmensbewertung vergleich von drei biotech unternehmen studienarbeit 2010 36 seiten note 97 a brunhilde fellermeier autor in ebook für nur us 16 99 sofort herunterladen inkl mwst format pdf epub und mobi für pc kindle tablet handy ohne drm buch für nur us 18 99

unternehmensbewertung kennzahlenanalyse econbiz - Dec 15 2022

web unternehmensbewertung kennzahlenanalyse praxisnahe einföhrung mit zahlreichen fallbeispielen börsennotierter unternehmen von nicolas schmidlin hauptbeschreibung bücher zur theorie gibt es schon viele aber kaum ein lehrbuch geht im detail darauf ein wie die komplexen bewertungsmodelle in der praxis angewandt werden

unternehmensbewertung kennzahlenanalyse beck elibrary - Mar 18 2023

web dieses buch beantwortet diese fragen und stellt die unternehmensbewertung praxisnah verständlich und anwendbar dar mehr als 100 fallbeispiele führen anschaulich und nachvollziehbar durch die welt der unternehmensbewertung kennzahlenanalyse und interpretation analyse des geschäftsmodells unternehmensbewertung

unternehmensbewertung kennzahlenanalyse praxisnahe - May 20 2023

web unternehmensbewertung kennzahlenanalyse praxisnahe einföhrung mit zahlreichen fallbeispielen börsennotierter unternehmen schmidlin nicolas amazon com tr kitap

unternehmensbewertung kennzahlenanalyse net framework - Jul 10 2022

web unternehmensbewertung kennzahlenanalyse praxisnahe einführung mit zahlreichen fallbeispielen börsennotierter unternehmen von nicolas schmidlin 2 überarbeitete auflage unternehmensbewertung kennzahlenanalyse schmidlin schnell und portofrei erhältlich bei beck shop de die fachbuchhandlung thematische

unternehmensbewertung kennzahlenanalyse praxisnahe einführung mit - Nov 14 2022

web apr 8 2013 unternehmensbewertung kennzahlenanalyse praxisnahe einführung mit zahlreichen beispielen börsennotierter unternehmen schmidlin nicolas 9783800645640 amazon com books buy used 21 36 3 99 delivery march 16 april 6 details select delivery location used very good details sold by momox shop

unternehmensbewertung kennzahlenanalyse nicolas - Mar 06 2022

web jun 2 2013 publikationen rund um die themen unternehmensbewertung sowie kennzahlenanalyse gibt es wie sand am meer vielfach rezipieren jedoch viele autoren bedenken und gedankenlos die aus dem angelsächsischen raum stammenden praktikerverfahren welche vermeintlich einen weltweiten standard darstellen das

unternehmensbewertung kennzahlenanalyse praxisnahe - Jun 09 2022

web unternehmensbewertung kennzahlenanalyse praxisnahe einführung mit zahlreichen beispielen börsennotierter unternehmen by schmidlin nicolas and a great selection of related books art and collectibles available now at abebooks com *unternehmensbewertung kennzahlenanalyse praxisnahe* - Aug 23 2023

web unternehmensbewertung kennzahlenanalyse praxisnahe einführung mit zahlreichen beispielen börsennotierter unternehmen schmidlin nicolas amazon com tr kitap

unternehmensbewertung kennzahlenanalyse praxisnahe - May 08 2022

web unternehmensbewertung kennzahlenanalyse praxisnahe einführung mit zahlreichen beispielen börsennotierter unternehmen schmidlin nicolas on amazon com au free shipping on eligible orders unternehmensbewertung kennzahlenanalyse praxisnahe einführung mit zahlreichen beispielen börsennotierter unternehmen