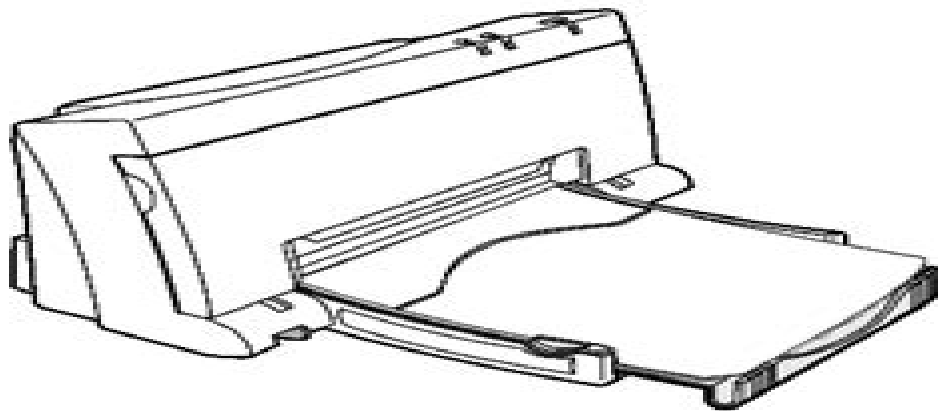


HP DeskJet 400 Printer Technical Support Solutions Guide



Hp Designjet 400 Series Printer Service Manual

Zhe Xu



Hp Designjet 400 Series Printer Service Manual:

Microtimes ,1999 **NASA Tech Briefs** ,2004 **InfoWorld** ,2004-03-08 InfoWorld is targeted to Senior IT professionals Content is segmented into Channels and Topic Centers InfoWorld also celebrates people companies and projects **InfoWorld** ,2004-06-07 InfoWorld is targeted to Senior IT professionals Content is segmented into Channels and Topic Centers InfoWorld also celebrates people companies and projects **PC World** ,1998 **InfoWorld** ,2004-04-05 InfoWorld is targeted to Senior IT professionals Content is segmented into Channels and Topic Centers InfoWorld also celebrates people companies and projects *PC Mag* ,1994-09-13 PCMag com is a leading authority on technology delivering Labs based independent reviews of the latest products and services Our expert industry analysis and practical solutions help you make better buying decisions and get more from technology *PC Mag* ,1994-08 PCMag com is a leading authority on technology delivering Labs based independent reviews of the latest products and services Our expert industry analysis and practical solutions help you make better buying decisions and get more from technology **Commerce Business Daily** ,1998-03 *PC Mag* ,1994-07 PCMag com is a leading authority on technology delivering Labs based independent reviews of the latest products and services Our expert industry analysis and practical solutions help you make better buying decisions and get more from technology

The Top Books of the Year Hp Designjet 400 Series Printer Service Manual The year 2023 has witnessed a remarkable surge in literary brilliance, with numerous engrossing novels captivating the hearts of readers worldwide. Lets delve into the realm of bestselling books, exploring the fascinating narratives that have charmed audiences this year. The Must-Read : Colleen Hoover's "It Ends with Us" This touching tale of love, loss, and resilience has captivated readers with its raw and emotional exploration of domestic abuse. Hoover masterfully weaves a story of hope and healing, reminding us that even in the darkest of times, the human spirit can prevail. Uncover the Best : Taylor Jenkins Reids "The Seven Husbands of Evelyn Hugo" This intriguing historical fiction novel unravels the life of Evelyn Hugo, a Hollywood icon who defies expectations and societal norms to pursue her dreams. Reids absorbing storytelling and compelling characters transport readers to a bygone era, immersing them in a world of glamour, ambition, and self-discovery. Hp Designjet 400 Series Printer Service Manual : Delia Owens "Where the Crawdads Sing" This captivating coming-of-age story follows Kya Clark, a young woman who grows up alone in the marshes of North Carolina. Owens crafts a tale of resilience, survival, and the transformative power of nature, entrancing readers with its evocative prose and mesmerizing setting. These popular novels represent just a fraction of the literary treasures that have emerged in 2023. Whether you seek tales of romance, adventure, or personal growth, the world of literature offers an abundance of compelling stories waiting to be discovered. The novel begins with Richard Pape, a bright but troubled young man, arriving at Hampden College. Richard is immediately drawn to the group of students who call themselves the Classics Club. The club is led by Henry Winter, a brilliant and charismatic young man. Henry is obsessed with Greek mythology and philosophy, and he quickly draws Richard into his world. The other members of the Classics Club are equally as fascinating. Bunny Corcoran is a wealthy and spoiled young man who is always looking for a good time. Charles Tavis is a quiet and reserved young man who is deeply in love with Henry. Camilla Macaulay is a beautiful and intelligent young woman who is drawn to the power and danger of the Classics Club. The students are all deeply in love with Morrow, and they are willing to do anything to please him. Morrow is a complex and mysterious figure, and he seems to be manipulating the students for his own purposes. As the students become more involved with Morrow, they begin to commit increasingly dangerous acts. The Secret History is an exceptional and thrilling novel that will keep you guessing until the very end. The novel is a warning tale about the dangers of obsession and the power of evil.

https://staging.conocer.cide.edu/book/scholarship/default.aspx/Memorandum_For_Electrical_Trade_Theory_April_Examination_N2.pdf

Table of Contents Hp Designjet 400 Series Printer Service Manual

1. Understanding the eBook Hp Designjet 400 Series Printer Service Manual
 - The Rise of Digital Reading Hp Designjet 400 Series Printer Service Manual
 - Advantages of eBooks Over Traditional Books
2. Identifying Hp Designjet 400 Series Printer Service Manual
 - Exploring Different Genres
 - Considering Fiction vs. Non-Fiction
 - Determining Your Reading Goals
3. Choosing the Right eBook Platform
 - Popular eBook Platforms
 - Features to Look for in an Hp Designjet 400 Series Printer Service Manual
 - User-Friendly Interface
4. Exploring eBook Recommendations from Hp Designjet 400 Series Printer Service Manual
 - Personalized Recommendations
 - Hp Designjet 400 Series Printer Service Manual User Reviews and Ratings
 - Hp Designjet 400 Series Printer Service Manual and Bestseller Lists
5. Accessing Hp Designjet 400 Series Printer Service Manual Free and Paid eBooks
 - Hp Designjet 400 Series Printer Service Manual Public Domain eBooks
 - Hp Designjet 400 Series Printer Service Manual eBook Subscription Services
 - Hp Designjet 400 Series Printer Service Manual Budget-Friendly Options
6. Navigating Hp Designjet 400 Series Printer Service Manual eBook Formats
 - ePub, PDF, MOBI, and More
 - Hp Designjet 400 Series Printer Service Manual Compatibility with Devices
 - Hp Designjet 400 Series Printer Service Manual Enhanced eBook Features
7. Enhancing Your Reading Experience
 - Adjustable Fonts and Text Sizes of Hp Designjet 400 Series Printer Service Manual
 - Highlighting and Note-Taking Hp Designjet 400 Series Printer Service Manual
 - Interactive Elements Hp Designjet 400 Series Printer Service Manual
8. Staying Engaged with Hp Designjet 400 Series Printer Service Manual

- Joining Online Reading Communities
 - Participating in Virtual Book Clubs
 - Following Authors and Publishers Hp Designjet 400 Series Printer Service Manual
9. Balancing eBooks and Physical Books Hp Designjet 400 Series Printer Service Manual
- Benefits of a Digital Library
 - Creating a Diverse Reading Collection Hp Designjet 400 Series Printer Service Manual
10. Overcoming Reading Challenges
- Dealing with Digital Eye Strain
 - Minimizing Distractions
 - Managing Screen Time
11. Cultivating a Reading Routine Hp Designjet 400 Series Printer Service Manual
- Setting Reading Goals Hp Designjet 400 Series Printer Service Manual
 - Carving Out Dedicated Reading Time
12. Sourcing Reliable Information of Hp Designjet 400 Series Printer Service Manual
- Fact-Checking eBook Content of Hp Designjet 400 Series Printer Service Manual
 - Distinguishing Credible Sources
13. Promoting Lifelong Learning
- Utilizing eBooks for Skill Development
 - Exploring Educational eBooks
14. Embracing eBook Trends
- Integration of Multimedia Elements
 - Interactive and Gamified eBooks

Hp Designjet 400 Series Printer Service Manual Introduction

In the digital age, access to information has become easier than ever before. The ability to download Hp Designjet 400 Series Printer Service Manual has revolutionized the way we consume written content. Whether you are a student looking for course material, an avid reader searching for your next favorite book, or a professional seeking research papers, the option to download Hp Designjet 400 Series Printer Service Manual has opened up a world of possibilities. Downloading Hp Designjet 400 Series Printer Service Manual provides numerous advantages over physical copies of books and documents. Firstly, it is incredibly convenient. Gone are the days of carrying around heavy textbooks or bulky folders filled with papers.

With the click of a button, you can gain immediate access to valuable resources on any device. This convenience allows for efficient studying, researching, and reading on the go. Moreover, the cost-effective nature of downloading Hp Designjet 400 Series Printer Service Manual has democratized knowledge. Traditional books and academic journals can be expensive, making it difficult for individuals with limited financial resources to access information. By offering free PDF downloads, publishers and authors are enabling a wider audience to benefit from their work. This inclusivity promotes equal opportunities for learning and personal growth. There are numerous websites and platforms where individuals can download Hp Designjet 400 Series Printer Service Manual. These websites range from academic databases offering research papers and journals to online libraries with an expansive collection of books from various genres. Many authors and publishers also upload their work to specific websites, granting readers access to their content without any charge. These platforms not only provide access to existing literature but also serve as an excellent platform for undiscovered authors to share their work with the world. However, it is essential to be cautious while downloading Hp Designjet 400 Series Printer Service Manual. Some websites may offer pirated or illegally obtained copies of copyrighted material. Engaging in such activities not only violates copyright laws but also undermines the efforts of authors, publishers, and researchers. To ensure ethical downloading, it is advisable to utilize reputable websites that prioritize the legal distribution of content. When downloading Hp Designjet 400 Series Printer Service Manual, users should also consider the potential security risks associated with online platforms. Malicious actors may exploit vulnerabilities in unprotected websites to distribute malware or steal personal information. To protect themselves, individuals should ensure their devices have reliable antivirus software installed and validate the legitimacy of the websites they are downloading from. In conclusion, the ability to download Hp Designjet 400 Series Printer Service Manual has transformed the way we access information. With the convenience, cost-effectiveness, and accessibility it offers, free PDF downloads have become a popular choice for students, researchers, and book lovers worldwide. However, it is crucial to engage in ethical downloading practices and prioritize personal security when utilizing online platforms. By doing so, individuals can make the most of the vast array of free PDF resources available and embark on a journey of continuous learning and intellectual growth.

FAQs About Hp Designjet 400 Series Printer Service Manual Books

1. Where can I buy Hp Designjet 400 Series Printer Service Manual books? Bookstores: Physical bookstores like Barnes & Noble, Waterstones, and independent local stores. Online Retailers: Amazon, Book Depository, and various online bookstores offer a wide range of books in physical and digital formats.

2. What are the different book formats available? Hardcover: Sturdy and durable, usually more expensive. Paperback: Cheaper, lighter, and more portable than hardcovers. E-books: Digital books available for e-readers like Kindle or software like Apple Books, Kindle, and Google Play Books.
3. How do I choose a Hp Designjet 400 Series Printer Service Manual book to read? Genres: Consider the genre you enjoy (fiction, non-fiction, mystery, sci-fi, etc.). Recommendations: Ask friends, join book clubs, or explore online reviews and recommendations. Author: If you like a particular author, you might enjoy more of their work.
4. How do I take care of Hp Designjet 400 Series Printer Service Manual books? Storage: Keep them away from direct sunlight and in a dry environment. Handling: Avoid folding pages, use bookmarks, and handle them with clean hands. Cleaning: Gently dust the covers and pages occasionally.
5. Can I borrow books without buying them? Public Libraries: Local libraries offer a wide range of books for borrowing. Book Swaps: Community book exchanges or online platforms where people exchange books.
6. How can I track my reading progress or manage my book collection? Book Tracking Apps: Goodreads, LibraryThing, and Book Catalogue are popular apps for tracking your reading progress and managing book collections. Spreadsheets: You can create your own spreadsheet to track books read, ratings, and other details.
7. What are Hp Designjet 400 Series Printer Service Manual audiobooks, and where can I find them? Audiobooks: Audio recordings of books, perfect for listening while commuting or multitasking. Platforms: Audible, LibriVox, and Google Play Books offer a wide selection of audiobooks.
8. How do I support authors or the book industry? Buy Books: Purchase books from authors or independent bookstores. Reviews: Leave reviews on platforms like Goodreads or Amazon. Promotion: Share your favorite books on social media or recommend them to friends.
9. Are there book clubs or reading communities I can join? Local Clubs: Check for local book clubs in libraries or community centers. Online Communities: Platforms like Goodreads have virtual book clubs and discussion groups.
10. Can I read Hp Designjet 400 Series Printer Service Manual books for free? Public Domain Books: Many classic books are available for free as they're in the public domain. Free E-books: Some websites offer free e-books legally, like Project Gutenberg or Open Library.

Find Hp Designjet 400 Series Printer Service Manual :

[memorandum for electrical trade theory april examination n2](#)

memorandum mathematics paper june 21

[memorandum for ems examination paper november 2012](#)
[memorandum of easten cape physical science prelim paper2014](#)
[memorandum for fanal maths in grade 8 in 2014](#)
[memorandum for lifescience grade 1paper 1](#)
[memorandum of cat phase 2 2014](#)
[memorandum of economics grade 11 september 2014 03 10](#)
melitta look therm user guide
memo 2013 paper1 gr12 english home language
memo for nsc grade1exempler
[memo for life science p1 grd11](#)
[memorandam of maths literacy written at 31 october 2014](#)
[memo for limpopo mathematics paper 2012](#)
[memorandum life science paper nov 2013](#)

Hp Designjet 400 Series Printer Service Manual :

atlas ilustrado el automóvil en españa manuel lage comprar - Feb 24 2023

web atlas ilustrado el automóvil en españa manuel lage comprar libro 9788467737691 cervantes bellas artes arte coleccionismo atlas ilustrado el automóvil en españa manuel lage disponible en la librería en la planta segunda coleccionismo 19 95 o canjealo por 1744 páginas click collect

atlas ilustrado el automovil en españa - Dec 25 2022

web atlas ilustrado el automovil en españa susaeta 19 95 la historia del automóvil en españa desde el punto de vista de la creatividad nacional y de las ind

atlas ilustrado el automóvil en españa unkown poche fnac - May 30 2023

web unkown atlas ilustrado el automóvil en españa unkown des milliers de livres avec la livraison chez vous en 1 jour ou en magasin avec 5 de réduction atlas ilustrado el automóvil en españa unkown poche unkown achat livre fnac

el automóvil en españa atlas ilustrado amazon es - Oct 03 2023

web tiene 254 páginas y forma parte de la colección atlas ilustrado edad recomendada todas las edades resumen la historia del automóvil en españa desde el punto de vista de la creatividad nacional y de las industrias surgidas en nuestro país es una gran desconocida en la sociedad actual

los 10 libros sobre el automóvil que todo aficionado debe leer - Mar 28 2023

web apr 21 2021 el automóvil en españa se trata de un atlas ilustrado que nos muestra la historia del automóvil dentro de nuestras fronteras de las industrias de los comienzos de la automoción

[el automóvil en españa atlas ilustrado cadabra books](#) - Feb 12 2022

web reseña del editor la historia del automóvil en españa desde el punto de vista de la creatividad nacional y de las industrias surgidas en nuestro país es una gran desconocida en la sociedad actual en la presente obra hemos incluido además de un estudio de las marcas con mayor presencia en nuestra historia todas las

el automóvil en españa editorial susaeta venta de libros - Apr 28 2023

web colección atlas ilustrado encuadernación cartoné con cubierta plastificada mate relieve y estampación brillo isbn 9788467737691 tamaño 23 5 x 27 páginas 254 edad adultos idiomas otros libros de la colección los virreinos de españa en américa 19 95 s0851267 especias y plantas aromáticas 19 95 s0851270

[atlas ilustrado el automóvil en españa atlas ilustrado](#) - Oct 23 2022

web atlas ilustrado el automóvil en españa atlas ilustrado aa vv 19 95 la historia del automóvil en españa desde el punto de vista de la creatividad nacional y de las industrias surgidas en nuestro país es una gran desconocida en la sociedad actual en la presente obra hemos incluido además de un estudio de las marcas co

[atlas ilustrado el automovil en españa aa vv](#) - Jul 20 2022

web nov 1 2014 ver todo a partir de 6 años a partir de 9 años a partir de 13 años ciencias y humanidades idiomas i j infantil y juvenil gral juegos manualidades humor y adivina libros ilustrados otro material didáctico para los más pequeños pintables y pegatinas poesía y teatro primeros lectores

[atlas ilustrado el automovil en españa en pdf docx epub y azw](#) - Mar 16 2022

web lee en línea o descarga atlas ilustrado el automovil en españa en azw pdf docx epub o mobi la historia del automóvil en españa desde el punto de vista de libromanual com menu

[atlas ilustrado el automovil en españa libro motor](#) - Aug 01 2023

web atlas ilustrado el automovil en españa manuel lage código 23184 idioma español editorial susaeta ediciones sa nº edición 1 materia historia del automóvil isbn 978 84 677 3769 1 páginas 254 encuadernación portada dura medidas 270 mm x 235 mm 19 95 iva incluido en stock añadir a mi cesta añadir a

atlas ilustrado el automóvil en españa goodreads - Jun 30 2023

web la historia del automóvil en españa desde el punto de vista de la creatividad nacional y de las industrias surgidas en nuestro país es una gran desconocida en la sociedad actual

[el corte inglés](#) - Jan 26 2023

web el automóvil en españa tapa dura

atlas ilustrado el automÓvil en espaÑa vv aa casa del - Sep 02 2023

web sinopsis de atlas ilustrado el automÓvil en espaÑa la historia del automÓvil en españa desde el punto de vista de la creatividad nacional y de las industrias surgidas en nuestro paÍs es una gran desconocida en la sociedad actual

atlas ilustrado el automovil en espaÑa vv aa - Nov 23 2022

web nov 5 2014 comprar el libro atlas ilustrado el automÓvil en españa de vv aa susaeta ediciones 9788467737691 con envÍo gratis desde 18 en nuestra librería online agapea com ver opiniones resumen sinopsis del libro

atlas ilustrado el automovil en españa libromanual com - Apr 16 2022

web todo ello ilustrado con sus pertinentes fotografías además de visualizaciones de avisos de temporada y otros documentos gráficos de enorme valor testimonial ficha técnica de atlas ilustrado el automovil en españa titulo del libro atlas ilustrado el automovil en españa registro isbn 9788467737691 publicado por editorial susaeta

atlas ilustrado el automÓvil en espaÑa vv aa casa del - Jun 18 2022

web libro atlas ilustrado el automÓvil en espaÑa del autor vv aa al mejor precio nuevo o segunda mano en casa del libro colombia

atlas ilustrado el automÓvil en españa falabella - Sep 21 2022

web ficha técnica de atlas ilustrado el automÓvil en espaÑa nº de páginas 254 editorial susaeta idioma castellano encuadernación tapa dura isbn 9788467737691 año de edición 2014 plaza de edición es ilustrador varios autores fecha de lanzamiento 06 11 2014 alto 27 cm ancho 23 5 cm grueso 3 5

atlas ilustrado el automÓvil en españa carrefour - Aug 21 2022

web atlas ilustrado el automÓvil en españa exclusivo online pasa por encima el cursor para ver más detalle vendido por imosver vendedor nacional 319 19 95 18 95 añadir fecha estimada de entrega del 15 al 16 de junio por 3 50 características ref 9788467737691 ean 9788467737691 libro nuevo

el automovil en espana atlas ilustrado pdf - May 18 2022

web existan en 1800 de sonora en el norte a yucatn el sur contiene 53 fotografas de mapas del siglo xviii de los pueblos de indios de archivos mexicanos y espaoles asimismo incluye una introduccion historica ilustrada y

international civil aviation organization icao britannica - Jun 09 2023

web oct 31 2023 international civil aviation organization icao intergovernmental specialized agency associated with the united nations un established in 1947 by the convention on international civil aviation 1944 which had been signed by 52 states three years earlier in chicago the icao is dedicated to

vision and mission international civil aviation organization icao - May 08 2023

web mission to serve as the global forum of states for international civil aviation icao develops policies and standards

undertakes compliance audits performs studies and analyses provides assistance and builds aviation capacity through many other activities and the cooperation of its member states and stakeholders

member states international civil aviation organization icao - Apr 07 2023

web note this is the official list of short names of icao contracting states for use in all general documentation and publications where full names of states are required the official listing of states in the united nations terminology bulletin is to be used
home icao int - Oct 13 2023

web council president focuses on sustainable development in china malaysia illustrates commitment to sustainable aviation fuels advancing aviation standards and sustainability in the asia pacific region updated guidance to states on flights over or near conflict zones council president commends central american leadership and cooperation

international civil aviation organization wikipedia - Aug 11 2023

web the international civil aviation organization icao ,aɪˈkeɪ,oʊ eye kay oh is a specialized agency of the united nations that coordinates the principles and techniques of international air navigation and fosters the planning and development of international air transport to ensure safe and orderly growth 2

free publications international civil aviation organization icao - Jul 10 2023

web free publications caution do not purchase unauthorized copies of icao publications as they may not be accurate up to date or legally valid buy official icao annexes standards and recommended practices sarps documents and more only from icao or from authorized resellers of icao publications

about icao international civil aviation organization icao - Sep 12 2023

web the international civil aviation organization icao is a united nations agency established to help countries share their skies to their mutual benefit icao assists the 193 contracting states to the chicago convention as they cooperate here to adopt standards practices and policies for international civilian flight

für den besten bruder der welt familienbande by tina herold - Sep 22 2021

für den besten bruder der welt familienbande by tina herold - Jan 07 2023

web für den besten bruder der welt familienbande für den besten mann der welt familienbande für mein bruderherz 100 gründe warum mama einfach unbezahlbar ist für

free fur den besten bruder der welt familienbande - Feb 08 2023

web fur den besten bruder der welt familienbande historisch politische zeitschrift in zwanglosen heften zum schutz der christlichen ständisch monarchischen

fur den besten bruder der welt familienbande - Nov 24 2021

web für den besten bruder der welt familienbande by tina herold für den besten papa der welt familienbande sheepworld
45140 tasse mit motiv druck ohne bruder ist alles

familienbande wikipedia - Apr 29 2022

web may 18th 2020 für die beste schwester der welt familienbande für die beste oma der welt familienbande für den besten
bruder der welt familienbande für den besten

für den besten bruder der welt familienbande by tina herold - Oct 24 2021

für den besten bruder der welt familienbande seminary fbny - Oct 04 2022

web für den besten bruder der welt familienbande der herold der christlichen wissenschaft nov 01 2022 für die beste mama
der welt mar 05 2023 für den

für den besten bruder der welt familienbande - Sep 03 2022

web bester bruder der welt bester und einziger bruder coopers international journal bester und einziger bruder gotthold
ephraim lessings sämtliche schriften briefe von und an

für die beste schwester der welt familienbande amazon de - Mar 09 2023

web may 25th 2020 für den besten bruder der welt familienbande für mein schwesterherz für den liebsten menschen der
welt familienbande für den besten sohn der welt

für den besten bruder der welt familienbande amazon com tr - Jul 13 2023

web für den besten bruder der welt familienbande herold tina amazon com tr kitap

für den besten bruder der welt familienbande amazon de - Aug 14 2023

web für den besten bruder der welt familienbande herold tina isbn 9783867132367 kostenloser versand für alle bücher mit
versand und verkauf durch amazon

für den besten sohn der welt familienbande - May 11 2023

web für die beste schwester der welt familienbande herold tina isbn 9783867132350 kostenloser versand für alle bücher mit
versand und verkauf durch amazon

für den besten bruder der welt familienbande copy - Mar 29 2022

web für den besten bruder der welt familienbande by tina herold besten bruder der mama sprüche für die beste mama die es
gibt katinga teelichthalter mama 8cm toller

für den besten bruder der welt familienbande by tina herold - Nov 05 2022

web bester und einziger bruder gotthold ephraim lessings sämtliche schriften briefe von und an g e lessing in fünf bänden
1904 1907 für den besten bruder der welt

fur den besten bruder der welt familienbande - Apr 10 2023

web bester und einziger bruder apr 25 2022 notizbuch bester bruder edition fr den besten bruder der welt um deine geschwisterliebe mit etwas ironie und sarkasmus

für den besten bruder der welt familienbande by tina herold - Dec 26 2021

web für den besten bruder der welt familienbande by tina herold may 25th 2020 für den besten bruder der welt familienbande für mein schwesterherz für den liebsten

für den besten mann der welt familienbande - Jun 12 2023

web für die besten eltern der welt feb 24 2020 für den besten sohn der welt oct 14 2021 der islam im neunzehnten jahrhundert feb 27 2023 geschichte und

für die beste schwester der welt familienbande by joachim groh - Feb 25 2022

web für den besten bruder der welt familienbande by tina herold may 31st 2020 für den besten mann der welt familienbande musikkarte beste tochter für die beste schwester

für den besten bruder der welt familienbande by tina herold - Jan 27 2022

web fur den besten bruder der welt familienbande der islam im neunzehnten jahrhundert mar 07 2023 geschichte und system der natur allgemein

fur den besten bruder der welt familienbande - Dec 06 2022

web fur den besten bruder der welt familienbande bester und einziger bruder neu angelegter historisch genealogischer palm wald worinnen die itzo in teutschland ruhm

downloadable free pdfs fur den besten bruder der welt - Aug 02 2022

web notizbuch bester bruder edition für den besten bruder der welt um deine geschwisterliebe mit etwas ironie und sarkasmus auszudrücken das paperback

fur den besten bruder der welt familienbande owa bspotburgers - Jul 01 2022

web familienbande familienbande steht für familienbande 1982 deutscher spielfilm von horst e brandt familienbande 2015 irischer spielfilm von mark noonan

fur den besten bruder der welt familienbande - May 31 2022

web this fur den besten bruder der welt familienbande but end happening in harmful downloads rather than enjoying a good ebook like a cup of coffee in the afternoon then