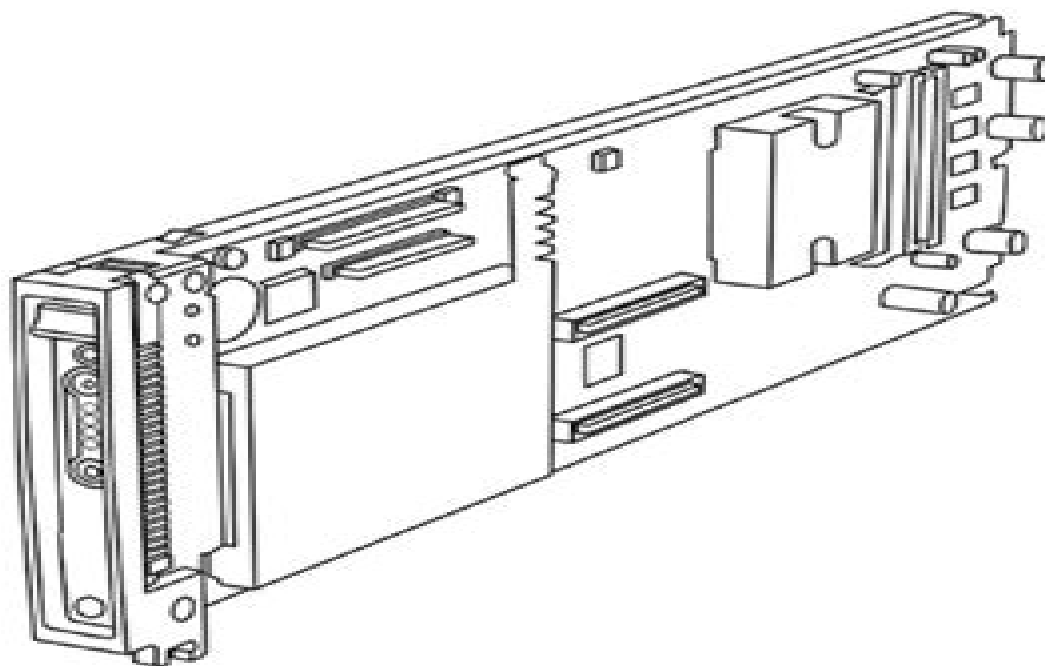


Overview



HP BladeSystem bc1500 Blade PC

At a Glance

- AMD Athlon™ 64 1500+ processor
- 40-GB Ultra ATA/100 5400 rpm hard drive
- 512-MB DDR SDRAM PC2700 (333-MHz) expandable to 2 GB (2 SODIMM slots)
- Two Broadcom 5705F 10/100 Integrated Network Controllers. NIC A is compliant with PXE (Pre-boot execution Environment)
- Connector for graphics diagnostics card
- USB 2.0
- Restriction of Hazardous Substances¹ (RoHS) compliant
- Blade PCs are protected by HP Services, including a limited three-year parts warranty with Advanced Unit Exchange for express permanent replacement of a blade PC. Optional service uplifts available.

¹ Products are designed to reduce the material used and to reduce or eliminate the use of hazardous materials to lower the environmental impact of HP products.

Hp Bc1500 Desktops Owners Manual

Brendan G. Carr



Hp Bc1500 Desktops Owners Manual:

Right here, we have countless books **Hp Bc1500 Desktops Owners Manual** and collections to check out. We additionally offer variant types and plus type of the books to browse. The agreeable book, fiction, history, novel, scientific research, as without difficulty as various extra sorts of books are readily to hand here.

As this Hp Bc1500 Desktops Owners Manual, it ends going on visceral one of the favored books Hp Bc1500 Desktops Owners Manual collections that we have. This is why you remain in the best website to look the unbelievable books to have.

<https://staging.conocer.cide.edu/public/browse/HomePages/honda%20shadow%20aero%20vt750%20service%20repair%20manual%202005%202007.pdf>

Table of Contents Hp Bc1500 Desktops Owners Manual

1. Understanding the eBook Hp Bc1500 Desktops Owners Manual
 - The Rise of Digital Reading Hp Bc1500 Desktops Owners Manual
 - Advantages of eBooks Over Traditional Books
2. Identifying Hp Bc1500 Desktops Owners Manual
 - Exploring Different Genres
 - Considering Fiction vs. Non-Fiction
 - Determining Your Reading Goals
3. Choosing the Right eBook Platform
 - Popular eBook Platforms
 - Features to Look for in an Hp Bc1500 Desktops Owners Manual
 - User-Friendly Interface
4. Exploring eBook Recommendations from Hp Bc1500 Desktops Owners Manual
 - Personalized Recommendations
 - Hp Bc1500 Desktops Owners Manual User Reviews and Ratings
 - Hp Bc1500 Desktops Owners Manual and Bestseller Lists
5. Accessing Hp Bc1500 Desktops Owners Manual Free and Paid eBooks

- Hp Bc1500 Desktops Owners Manual Public Domain eBooks
 - Hp Bc1500 Desktops Owners Manual eBook Subscription Services
 - Hp Bc1500 Desktops Owners Manual Budget-Friendly Options
6. Navigating Hp Bc1500 Desktops Owners Manual eBook Formats
 - ePub, PDF, MOBI, and More
 - Hp Bc1500 Desktops Owners Manual Compatibility with Devices
 - Hp Bc1500 Desktops Owners Manual Enhanced eBook Features
 7. Enhancing Your Reading Experience
 - Adjustable Fonts and Text Sizes of Hp Bc1500 Desktops Owners Manual
 - Highlighting and Note-Taking Hp Bc1500 Desktops Owners Manual
 - Interactive Elements Hp Bc1500 Desktops Owners Manual
 8. Staying Engaged with Hp Bc1500 Desktops Owners Manual
 - Joining Online Reading Communities
 - Participating in Virtual Book Clubs
 - Following Authors and Publishers Hp Bc1500 Desktops Owners Manual
 9. Balancing eBooks and Physical Books Hp Bc1500 Desktops Owners Manual
 - Benefits of a Digital Library
 - Creating a Diverse Reading Collection Hp Bc1500 Desktops Owners Manual
 10. Overcoming Reading Challenges
 - Dealing with Digital Eye Strain
 - Minimizing Distractions
 - Managing Screen Time
 11. Cultivating a Reading Routine Hp Bc1500 Desktops Owners Manual
 - Setting Reading Goals Hp Bc1500 Desktops Owners Manual
 - Carving Out Dedicated Reading Time
 12. Sourcing Reliable Information of Hp Bc1500 Desktops Owners Manual
 - Fact-Checking eBook Content of Hp Bc1500 Desktops Owners Manual
 - Distinguishing Credible Sources
 13. Promoting Lifelong Learning
 - Utilizing eBooks for Skill Development

- Exploring Educational eBooks
14. Embracing eBook Trends
- Integration of Multimedia Elements
 - Interactive and Gamified eBooks

Hp Bc1500 Desktops Owners Manual Introduction

Free PDF Books and Manuals for Download: Unlocking Knowledge at Your Fingertips In today's fast-paced digital age, obtaining valuable knowledge has become easier than ever. Thanks to the internet, a vast array of books and manuals are now available for free download in PDF format. Whether you are a student, professional, or simply an avid reader, this treasure trove of downloadable resources offers a wealth of information, conveniently accessible anytime, anywhere. The advent of online libraries and platforms dedicated to sharing knowledge has revolutionized the way we consume information. No longer confined to physical libraries or bookstores, readers can now access an extensive collection of digital books and manuals with just a few clicks. These resources, available in PDF, Microsoft Word, and PowerPoint formats, cater to a wide range of interests, including literature, technology, science, history, and much more. One notable platform where you can explore and download free Hp Bc1500 Desktops Owners Manual PDF books and manuals is the internet's largest free library. Hosted online, this catalog compiles a vast assortment of documents, making it a veritable goldmine of knowledge. With its easy-to-use website interface and customizable PDF generator, this platform offers a user-friendly experience, allowing individuals to effortlessly navigate and access the information they seek. The availability of free PDF books and manuals on this platform demonstrates its commitment to democratizing education and empowering individuals with the tools needed to succeed in their chosen fields. It allows anyone, regardless of their background or financial limitations, to expand their horizons and gain insights from experts in various disciplines. One of the most significant advantages of downloading PDF books and manuals lies in their portability. Unlike physical copies, digital books can be stored and carried on a single device, such as a tablet or smartphone, saving valuable space and weight. This convenience makes it possible for readers to have their entire library at their fingertips, whether they are commuting, traveling, or simply enjoying a lazy afternoon at home. Additionally, digital files are easily searchable, enabling readers to locate specific information within seconds. With a few keystrokes, users can search for keywords, topics, or phrases, making research and finding relevant information a breeze. This efficiency saves time and effort, streamlining the learning process and allowing individuals to focus on extracting the information they need. Furthermore, the availability of free PDF books and manuals fosters a culture of continuous learning. By removing financial barriers, more people can access educational resources and pursue lifelong learning, contributing to personal growth and professional development. This democratization of knowledge promotes intellectual curiosity and

empowers individuals to become lifelong learners, promoting progress and innovation in various fields. It is worth noting that while accessing free Hp Bc1500 Desktops Owners Manual PDF books and manuals is convenient and cost-effective, it is vital to respect copyright laws and intellectual property rights. Platforms offering free downloads often operate within legal boundaries, ensuring that the materials they provide are either in the public domain or authorized for distribution. By adhering to copyright laws, users can enjoy the benefits of free access to knowledge while supporting the authors and publishers who make these resources available. In conclusion, the availability of Hp Bc1500 Desktops Owners Manual free PDF books and manuals for download has revolutionized the way we access and consume knowledge. With just a few clicks, individuals can explore a vast collection of resources across different disciplines, all free of charge. This accessibility empowers individuals to become lifelong learners, contributing to personal growth, professional development, and the advancement of society as a whole. So why not unlock a world of knowledge today? Start exploring the vast sea of free PDF books and manuals waiting to be discovered right at your fingertips.

FAQs About Hp Bc1500 Desktops Owners Manual Books

What is a Hp Bc1500 Desktops Owners Manual PDF? A PDF (Portable Document Format) is a file format developed by Adobe that preserves the layout and formatting of a document, regardless of the software, hardware, or operating system used to view or print it. **How do I create a Hp Bc1500 Desktops Owners Manual PDF?** There are several ways to create a PDF: Use software like Adobe Acrobat, Microsoft Word, or Google Docs, which often have built-in PDF creation tools. Print to PDF: Many applications and operating systems have a "Print to PDF" option that allows you to save a document as a PDF file instead of printing it on paper. Online converters: There are various online tools that can convert different file types to PDF. **How do I edit a Hp Bc1500 Desktops Owners Manual PDF?** Editing a PDF can be done with software like Adobe Acrobat, which allows direct editing of text, images, and other elements within the PDF. Some free tools, like PDFescape or Smallpdf, also offer basic editing capabilities. **How do I convert a Hp Bc1500 Desktops Owners Manual PDF to another file format?** There are multiple ways to convert a PDF to another format: Use online converters like Smallpdf, Zamzar, or Adobe Acrobats export feature to convert PDFs to formats like Word, Excel, JPEG, etc. Software like Adobe Acrobat, Microsoft Word, or other PDF editors may have options to export or save PDFs in different formats. **How do I password-protect a Hp Bc1500 Desktops Owners Manual PDF?** Most PDF editing software allows you to add password protection. In Adobe Acrobat, for instance, you can go to "File" -> "Properties" -> "Security" to set a password to restrict access or editing capabilities. Are there any free alternatives to Adobe Acrobat for working with PDFs? Yes, there are many free alternatives for working with PDFs, such as: LibreOffice: Offers PDF editing features. PDFsam: Allows splitting, merging, and

editing PDFs. Foxit Reader: Provides basic PDF viewing and editing capabilities. How do I compress a PDF file? You can use online tools like Smallpdf, ILovePDF, or desktop software like Adobe Acrobat to compress PDF files without significant quality loss. Compression reduces the file size, making it easier to share and download. Can I fill out forms in a PDF file? Yes, most PDF viewers/editors like Adobe Acrobat, Preview (on Mac), or various online tools allow you to fill out forms in PDF files by selecting text fields and entering information. Are there any restrictions when working with PDFs? Some PDFs might have restrictions set by their creator, such as password protection, editing restrictions, or print restrictions. Breaking these restrictions might require specific software or tools, which may or may not be legal depending on the circumstances and local laws.

Find Hp Bc1500 Desktops Owners Manual :

[honda shadow aero vt750 service repair manual 2005 2007](#)

honda radio wire diagram

[honda sh150 service manual](#)

~~honda outboard parts user manual manual~~

honda odyssey a14 service

honda prelude service repair manual 1997 1998 1999 2000 2001

[honda motor cycle cbx manual](#)

honda hrt 216 sda manual

honda lawn mower manual hrx217

~~honda recon trx 250 clymer manual~~

honda shadow 750 c owners manual

honda outboard rigging guide

~~honda odyssey wiring diagram~~

[honda pa50 1980 1981 1982 1983 workshop manual](#)

~~honda hrr216vka lawn mower repair manual~~

Hp Bc1500 Desktops Owners Manual :

minerals of the world princeton field guides by ole johnsen - Nov 28 2021

princeton field guides princeton university press - Aug 18 2023

web mar 1 2003 there have been many mineral field guides through the years typically such books provide photographs and descriptions of a subset of the mineral kingdom

rocks and minerals princeton field guides 137 - Jan 11 2023

web read reviews and buy minerals of the world princeton field guides by ole johnsen paperback at target choose from same day delivery drive up or order pickup free

minerals of the world princeton field guides by ole johnsen - Dec 30 2021

minerals of the world princeton field guides 20 - Mar 13 2023

web minerals of the world is an attractive and up to date guide to more than 500 minerals from around the world the succinct text covering crystallography properties names and

pdf minerals of the world book review researchgate - Apr 02 2022

minerals of the world princeton field guides - Jul 17 2023

web oct 1 2002 the first of the book s three parts mineralogy and crystallography covers basic concepts what is a mineral mineral names crystal systems crystal growth

minerals of the world princeton field guides 20 paperback - Oct 08 2022

web jan 1 2002 january 2003 january 2004 pdf on jan 1 2002 anthony r kampf published minerals of the world book review find read and cite all the research you

minerals of the world princeton field guide series - Oct 28 2021

minerals of the world princeton field guides librarything - Jun 04 2022

web field guide minerals of the world princeton field guides johnsen minerals of the world by ole johnsen boffins books field guide to the rocks and minerals of the world by

minerals of the world princeton field guides series - May 15 2023

web minerals of the world is an attractive and up to date guide to more than 500 minerals from around the world the succinct text covering crystallography properties names and

minerals of the world princeton field guides by ole johnsen - May 03 2022

web minerals of the world princeton field guide series 0 00 0 minerals of the world princeton field guide series by ole johnsen price 29 95 condition new add

minerals of the world princeton field guides paperback - Jun 16 2023

web nov 17 2020 a comprehensive up to date field guide to the world s rocks and minerals this detailed and easy to use guide contains striking photography of rocks and

minerals of the world princeton field guides 20 abebooks - Dec 10 2022

web minerals of the world is an attractive and up to date guide to more than 500 minerals from around the world the succinct text covering crystallography properties names and

minerals of the world princeton field guides series - Apr 14 2023

web booktopia has minerals of the world princeton field guides by ole johnsen buy a discounted paperback of minerals of the world online from australia s leading online

pdf book minerals of the world princeton field guides 20 - Jan 31 2022

minerals of the world princeton field guide series - Feb 12 2023

web select the department you want to search in

minerals of the world princeton field guides 20 - Sep 19 2023

web minerals of the world is an attractive and up to date guide to more than 500 minerals from around the world the succinct text covering crystallography properties names and

rocks and minerals princeton field guides 137 - Sep 07 2022

web minerals of the world 20 princeton field guides by johnsen ole used very good paperback condition very good isbn 10 069109537x isbn 13 9780691095370 seller

minerals of the world 20 princeton field guides biblio - Mar 01 2022

booktopia minerals of the world princeton field guides by - Nov 09 2022

web minerals of the world princeton field guides johnsen the illustrated guide to minerals of the world the 10 of the best mineral locations in the world the best princeton field

minerals of the world princeton field guides hardcover - Aug 06 2022

web play pdf book minerals of the world princeton field guides 20 by scotdurham on desktop and mobile play over 320 million tracks for free on soundcloud

minerals of the world princeton field guides by ole - Jul 05 2022

web world princeton field guides minerals of the world by ole field guide to rocks and minerals of the world field the first comprehensive field guide carnivores of the the

worksheet function calculate bearing degrees in excel super user - May 11 2023

web oct 23 2019 i m trying to calculate bearing degrees for a couple of coordinates using this formula $\text{mod degrees atan2 cos radians lata sin radians latb sin radians lata cos radians latb cos radians}$

excel sheet for bearing life calculation 2022 - May 31 2022

web 4 excel sheet for bearing life calculation 2022 04 02 phrases and intriguing asides the wall street journal just as human bones get stronger when subjected to stress and tension many things in life benefit from disorder volatility and turmoil what taleb has identified and calls antifragile is that category

excel sheet for bearing life calculation download only - Oct 04 2022

web excel sheet for bearing life calculation excel sheet for bearing life calculation 2 downloaded from bespoke cityam com on 2022 12 19 by guest accurate global positioning systems and advances in molecular biology this new edition has been updated and revised with more recent examples replacing older ones where appropriate the book s

excel sheet for bearing life calculation download only - Dec 06 2022

web 2 excel sheet for bearing life calculation 2021 04 13 interface creating saving and closing workbooks how to use templates and themes how to add edit and hide data how to import and export txt csv tsv and xlsx files how to share workbooks printing basics examples of basic

excel sheet for bearing life calculation pdf uniport edu - Feb 08 2023

web sep 6 2023 excel sheet for bearing life calculation 2 9 downloaded from uniport edu ng on september 6 2023 by guest learn to perform use worksheet functions to work with matrices find roots of equations and solve systems of simultaneous equations solve ordinary differential equations and partial differential

excel sheet for bearing life calculation 2022 - Jan 27 2022

web excel sheet for bearing life calculation downloaded from origin locationsciences ai by guest colon warren small wind turbines john wiley sons in a class for the newly deaf former musician simon meets g and his quest to create an entirely new form of music helps him better understand her himself and his relationship to the hearing world

excel sheet for bearing life calculation avantevapehouse com - Apr 29 2022

web aug 6 2023 excel sheet for bearing life calculation excel sheet for bearing life calculation 3 downloaded from avantevapehouse com on 2023 04 16 by guest 2015 03 04 the presence of chemicals in our environment is a subject of intense interest owing to the many potential adverse health effects to humans following exposure to these chemicals

excel sheet for bearing life calculation 2022 - Jul 01 2022

web excel sheet for bearing life calculation 3 3 the art in these fields mainly in russia and eastern europe a broad range of topics and issues in modern engineering are discussed including the dynamics of machines and working processes friction

wear and lubrication in machines surface transport and technological machines manufacturing

excel sheet for bearing life calculation 2023 zapmap nissan co - Feb 25 2022

web 4 excel sheet for bearing life calculation 2022 03 03 anthropological examination the bioarchaeological data have been analyzed comprehensively in search of evidence for the quality of life in alexandria between the 9th and 12th centuries the changing living conditions of the local population observed over some 400 years are discussed in

excel sheet for bearing life calculation copy - Mar 29 2022

web 2 excel sheet for bearing life calculation 2022 11 09 cognitive behavioral therapies for a variety of conditions contains chapter abstracts practice and procedures applications to other areas key facts

bearing load calculator engineers edge - Jan 07 2023

web bearing load calculator excel spreadsheet description this design engineering spreadsheet calculates the loads on linear motion bearings it takes forces applied at the cutting tool and bearing locations x y z as inputs the x y center of the work volume at the table height is defined as the origin all dimensions in inches

excel sheet for bearing life calculation download only - Aug 02 2022

web excel sheet for bearing life calculation 3 3 and decision making in a world we don t understand in nonoverlapping and standalone books all four volumes anti fragile the black swan fooled by randomness and the expanded edition of the bed of procrustes updated with more than 50 percent new material are now together in one ebook

bearing life calculation ahr international - Mar 09 2023

web the iso equation for the basic rating life is $m^{3/3}$ for other bearings the basic rated life is defined as the number of revolutions that ninety percent of a group of identical bearings would be expected to achieve it is determined via the life required of the bearing

excel sheet for bearing life calculation eighteenb - Nov 05 2022

web excel sheet for bearing life calculation 3 3 of the state of the art in these fields mainly in russia and eastern europe a broad range of topics and issues in modern engineering are discussed including the dynamics of machines and working processes friction wear and lubrication in machines surface transport and technological machines

julian leland bell robotics manufacturing mechanical design - Apr 10 2023

web this spreadsheet calculates the loads on linear motion bearings it takes forces applied at the cutting tool and bearing locations x y z as inputs the x y center of the work volume at the table height is defined as the origin

bearing life calculation bearing loads speeds american roller bearing - Jul 13 2023

web 4000 mpa 580 000 psi for all roller bearings bearing rating life calculation rating life is the bearing life calculated for 90 reliability this is the amount of time that a group of apparently identical bearings will complete or

l10 bearing life calculator bearing design manufacture and - Aug 14 2023

web nov 7 2013 hi i have been given an excel spreadsheet which performs the l10 bearing life calculation for a series of different bearings that our company uses the task is to change the spreadsheet so that it uses iso data and not the timken data that it currently uses for the calculation

excel sheet for bearing life calculation download only - Sep 03 2022

web excel sheet for bearing life calculation downloaded from zapmap nissan co uk by guest maximillian bryce the american artisan pascal press abstract a vast amount of research has gone into interpreting vibrational signals emitted from roller element bearings of various designs most of this research is dedicated to detecting bearing

[bearing life calculation pdf document](#) - Jun 12 2023

web nov 11 2015 1 bearing life varies inversely with speed double the speed life is reduced by half 2 bearing life varies exponentially with applied load p double the load life is reduced to 0.125 of its original value for ball bearings and more for roller bearings the effects of these conclusions can be dramatic operationally

[bearing life calculating the basic fatigue life expectancy of](#) - Sep 15 2023

web bearing s basic fatigue life rating is calculated using the number of rotations which 90% of all bearings in a specific group achieve or exceed a calculated time without failure probability of failure 10% standardised formula also known as the catalogue method iso 281 is the conventional means of calculating a bearing s life

ernst klett verlag découvertes 2 série jaune ab klasse 6 - Sep 24 2023

web start découvertes 2 découvertes 2 série jaune ab klasse 6 ausgabe ab 2012 cahier d activités mit audios und filmen 2 lernjahr isbn 978 3 12 622026 2 umfang 104 seiten 11 95 inkl mwst 20 prüfnachlass für lehrkräfte erklärung der symbole lieferbedingungen anzahl in den warenkorb auf die merklste

découvertes 2 série jaune schulbücher portofrei bei bücher de - May 08 2022

web découvertes 2 série jaune cahier d activités mit audios und filmen 2 lernjahr

découvertes 2 série jaune schulbücher portofrei bei bücher de - Jun 09 2022

web découvertes 2 série jaune cahier d activités mit audios filmen und Übungssoftware 2 lernjahr

découvertes 2 série jaune ab klasse 6 cahier d activités mit - Feb 17 2023

web ein eingedruckter nutzerschlüssel über den alle hörtexte und videosequenzen zum schulbuch und zum cahier d activités abgerufen werden können diese inhalte können auch in die klett lernen app geladen und dann offline am pc tablet und smartphone genutzt werden

découvertes 2 série jaune ab klasse 6 cahier d activités mit - Mar 18 2023

web découvertes 2 série jaune ab klasse 6 cahier d activités mit audios und filmen 2 lernjahr découvertes série jaune ab

klasse 6 ausgabe ab 2012 broschüre 4 februar 2013

découvertes 2 série jaune découvertes schulbuch thalia - Jan 16 2023

web beschreibung découvertes série jaune ab klasse 6 ausgabe ab 2012 découvertes 2 série jaune cahier d activités mit audios filmen und Übungssoftware 2 lernjahr schulbuch set mit diversen artikeln 19 95 inkl gesetzl mwst versandkostenfrei artikel liefern lassen sofort lieferbar in den warenkorb click collect

découvertes série jaune 2 cahier d activités lehrerausgabe mit - Feb 05 2022

web d'Écouvertes s'Érie jaune 2 cahier d activités lehrerausgabe mit lösungen eur 19 19 zu verkaufen produktart unbekannt erscheinungsjahr 2013 autor lehrerausgabe batterien dürfen nicht 204488719427

découvertes 2 série jaune cahier d activités lehrerausgabe - May 20 2023

web découvertes 2 série jaune ab klasse 6 cahier d activités mit audios und filmen 2 lernjahr découvertes série jaune ab klasse 6 ausgabe ab 2012

découvertes 2 ausgabe 1 oder 2 fremdsprache cahier d activités mit - Oct 13 2022

web découvertes 2 ausgabe 1 oder 2 fremdsprache cahier d activités mit mediensammlung vokabeltrainer und Übungssoftware 2 lernjahr

découvertes 2 série jaune cahier d activités mit audios filmen - Aug 11 2022

web découvertes 2 série jaune cahier d activités mit audios filmen und Übungssoftware 2 lernjahr amazon fr livres ernst klett verlag découvertes série jaune ausgabe ab 2012 - Apr 07 2022

web cahier d activités mit audios videos und vokabeltrainer ausgabe für lehrende 1 lernjahr isbn 978 3 12 622017 0

découvertes 2 série jaune ab klasse 6 digitaler - Sep 12 2022

web das découvertes 2 série jaune ebook die digitale fassung des gedruckten schülerbuchs die kompletten materialien aus dem lehrerband methodisch didaktischer teil kopiervorlagen als pdf und editierbar differenzierungshinweise und kopiervorlagen préparation en 3 minutes das blätterbare arbeitsheft cahier d activités mit lösungen

vielfältige lernhilfen découvertes für bessere noten série jaune - Nov 14 2022

web découvertes série jaune cahier d activités mit mp3 cd und video dvd abwechslungsreiche und klar verständliche Übungen die selbstständig bearbeitet werden können die mp3 cd ent hält die hörtexte aus dem schülerbuch und dem cahier die zusätzliche dvd enthält passende filmsequenzen band 1 9 95 978 3 12 622016 9

ernst klett verlag découvertes 2 série jaune ab klasse 6 - Jun 21 2023

web série jaune ab klasse 6 ausgabe ab 2012 Übungssoftware mit vokabeltrainer einzellizenz 2 lernjahr isbn 978 3 12 622156 6 12 50 inkl mwst erklärung der symbole bei diesen titeln erhalten lehrkräfte 20 prüfnachlass das angebot gilt nur für titel die grundsätzlich zur einföhrung geeignet sind

ernst klett verlag lösungen produktart produktübersicht - Dec 15 2022

web découvertes 2 ausgabe 1 oder 2 fremdsprache ab 2020 cahier d activités mit mediensammlung vokabeltrainer und Übungssoftware ausgabe für lehrende 2 lernjahr isbn 978 3 12 624027 7 weitere informationen

ernst klett verlag découvertes série jaune ausgabe ab 2012 - Jul 22 2023

web cahier d activités mit audios videos und vokabeltrainer ausgabe für lehrende 2 lernjahr solange vorrat reicht

ernst klett verlag découvertes ausgabe ab 2020 lehrwerk - Aug 23 2023

web cahier d activités mit mediensammlung vokabeltrainer und Übungssoftware ausgabe für lehrende 2 lernjahr

ernst klett verlag découvertes 2 série jaune ab klasse 6 - Apr 19 2023

web produktinformationen mit découvertes band 2 klasse 7 erreichen die schülerinnen und schüler die kompetenzstufe a2 des gemeinsamen europäischen referenzrahmens der band 2 besteht aus 7 obligatorischen unités 3 dazwischen geschalteten fakultativen plateauphasen einem fakultativen en plus teil einem grammatischen anhang

decouvertes 2 serie jaune cahier d activites mit book - Mar 06 2022

web decouvertes 2 serie jaune cahier d activites mit decouvertes 2 serie jaune cahier d activites mit 2 downloaded from ead3 archivists org on 2020 01 12 by guest introduction provides a thought provoking examination of the principal new approaches that have emerged in the discipline during the 1990s part i then makes clear the complexity

découvertes 2 série jaune découvertes schulbuch 978 3 - Jul 10 2022

web ausgabe ab 2012 série jaune 2 2 lernjahr découvertes 2 série jaune cahier d activités mit audios und filmen 2 lernjahr schulbuch set mit diversen artikeln 11 95 inkl gesetzl