

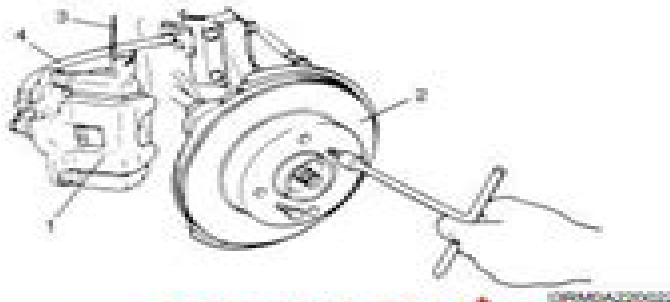
**NOTE:**

Hang removed calliper with a wire hook or the like (3) so as to prevent brake hose (4) from bending, twisting or tension.

Do not depress brake pedal during pads removal.

Don't operate brake pedal with pads removed.

- 6) Pull brake disc (2) off by using two 8 mm bolts.



- 7) Pull out wheel

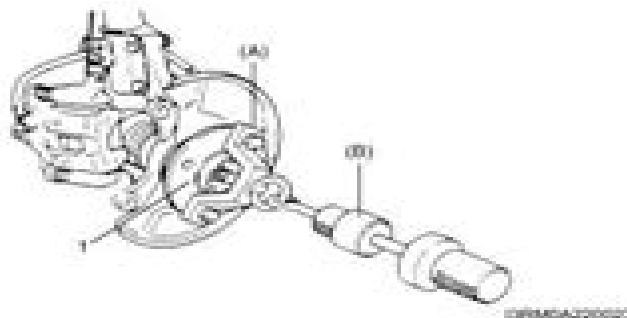
Special tool

(A): 09943-17912

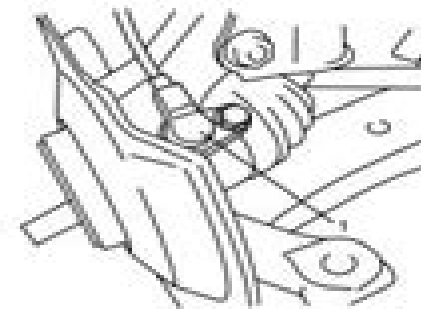
(B): 09942-15511

**CAUTION:**

When wheel hub is removed, replace wheel bearing with new one.



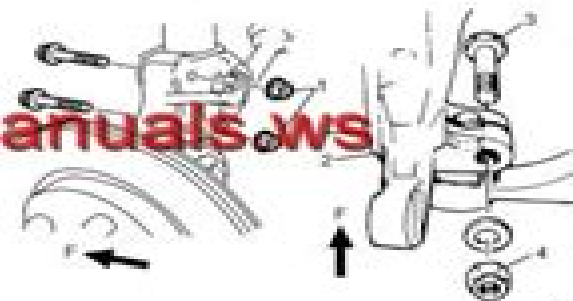
- 8) Disconnect tie-rod end (1) from steering knuckle (2) with puller (3).



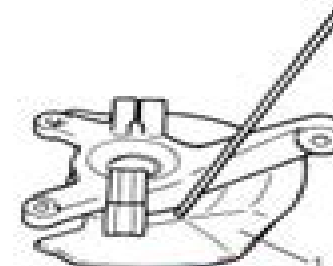
- 10) Loosen strut bracket nuts (1).

- 11) Remove ball joint bolt (3) and nut (4).

- 12) Remove strut bracket bolts from strut bracket and then steering knuckle (2).



- 13) Uncaulk and remove dust cover (1).



- 14) Remove circlip from

- 15) Using hydraulic press, remove wheel bearing.

# G10a Swift Service Manual

**Suzuki Jidōsha Kōgyō Kabushiki  
Kaisha. Overseas Marketing Division**

A red circular graphic element with a gradient, partially overlapping the right side of the grey bar.

## **G10a Swift Service Manual:**

**Suzuki Swift** Suzuki Motor Corp,1988      **1991 Suzuki Swift Service Manual 1300** Suzuki Jidōsha Kōgyō Kabushiki Kaisha,1991      1995 Suzuki Swift Supplementary Service Manual for ABS. Suzuki Jidōsha Kōgyō Kabushiki Kaisha,1989  
Swift 1995 Service Manual 1000/1300 ,1994      **Holden Barina and Suzuki Swift Automotive Repair Manual** Jeff Killingsworth,John Harold Haynes,1997 Holden Barina Series MB ML MF MH 85 93 Suzuki Swift Series SF 90 93 1 3L engine      **1990 Suzuki Swift Supplementary Service Manual for Sedan** Suzuki Jidōsha Kōgyō Kabushiki Kaisha,1989  
Swift 1995 Supplementary Service Manual for ABS. ,1994      *Swift Service Manual* ,1946\*      **Suzuki Service Manual** Suzuki Jidōsha Kōgyō Kabushiki Kaisha. Overseas Marketing Division,1976      *Suzuki Carry Truck Electrical Service Manual Db52t Da52t* James Danko,2017-05-03 SUZUKI CARRY TRUCK Electrical Service Manual for 4WD DB52T 2WD DA52T Series Trucks Complete English Factory Electrical Service Manual Covers the entire vehicle including EPI Fuel Injection models Turbocharged models and early model Carbureted versions This complete manual also covers all options including Air conditioning Electrical Power Steering DUMP and AIRBAG systems Easy to follow diagrams includes all individual circuits with easy to follow diagrams Whether you are a Pro or Home Mechanic this easy to follow manual is a must for troubleshooting electrical problems

## Unveiling the Magic of Words: A Report on "**G10a Swift Service Manual**"

In some sort of defined by information and interconnectivity, the enchanting power of words has acquired unparalleled significance. Their power to kindle emotions, provoke contemplation, and ignite transformative change is really awe-inspiring. Enter the realm of "**G10a Swift Service Manual**," a mesmerizing literary masterpiece penned by way of a distinguished author, guiding readers on a profound journey to unravel the secrets and potential hidden within every word. In this critique, we shall delve into the book's central themes, examine its distinctive writing style, and assess its profound affect on the souls of its readers.

[https://staging.conocer.cide.edu/About/book-search/Download\\_PDFS/from%20my%20youth%20up%20signal%20lives.pdf](https://staging.conocer.cide.edu/About/book-search/Download_PDFS/from%20my%20youth%20up%20signal%20lives.pdf)

### **Table of Contents G10a Swift Service Manual**

1. Understanding the eBook G10a Swift Service Manual
  - The Rise of Digital Reading G10a Swift Service Manual
  - Advantages of eBooks Over Traditional Books
2. Identifying G10a Swift Service Manual
  - Exploring Different Genres
  - Considering Fiction vs. Non-Fiction
  - Determining Your Reading Goals
3. Choosing the Right eBook Platform
  - Popular eBook Platforms
  - Features to Look for in an G10a Swift Service Manual
  - User-Friendly Interface
4. Exploring eBook Recommendations from G10a Swift Service Manual
  - Personalized Recommendations
  - G10a Swift Service Manual User Reviews and Ratings
  - G10a Swift Service Manual and Bestseller Lists

5. Accessing G10a Swift Service Manual Free and Paid eBooks
  - G10a Swift Service Manual Public Domain eBooks
  - G10a Swift Service Manual eBook Subscription Services
  - G10a Swift Service Manual Budget-Friendly Options
6. Navigating G10a Swift Service Manual eBook Formats
  - ePub, PDF, MOBI, and More
  - G10a Swift Service Manual Compatibility with Devices
  - G10a Swift Service Manual Enhanced eBook Features
7. Enhancing Your Reading Experience
  - Adjustable Fonts and Text Sizes of G10a Swift Service Manual
  - Highlighting and Note-Taking G10a Swift Service Manual
  - Interactive Elements G10a Swift Service Manual
8. Staying Engaged with G10a Swift Service Manual
  - Joining Online Reading Communities
  - Participating in Virtual Book Clubs
  - Following Authors and Publishers G10a Swift Service Manual
9. Balancing eBooks and Physical Books G10a Swift Service Manual
  - Benefits of a Digital Library
  - Creating a Diverse Reading Collection G10a Swift Service Manual
10. Overcoming Reading Challenges
  - Dealing with Digital Eye Strain
  - Minimizing Distractions
  - Managing Screen Time
11. Cultivating a Reading Routine G10a Swift Service Manual
  - Setting Reading Goals G10a Swift Service Manual
  - Carving Out Dedicated Reading Time
12. Sourcing Reliable Information of G10a Swift Service Manual
  - Fact-Checking eBook Content of G10a Swift Service Manual
  - Distinguishing Credible Sources
13. Promoting Lifelong Learning

- Utilizing eBooks for Skill Development
  - Exploring Educational eBooks
14. Embracing eBook Trends
- Integration of Multimedia Elements
  - Interactive and Gamified eBooks

### **G10a Swift Service Manual Introduction**

In this digital age, the convenience of accessing information at our fingertips has become a necessity. Whether its research papers, eBooks, or user manuals, PDF files have become the preferred format for sharing and reading documents. However, the cost associated with purchasing PDF files can sometimes be a barrier for many individuals and organizations. Thankfully, there are numerous websites and platforms that allow users to download free PDF files legally. In this article, we will explore some of the best platforms to download free PDFs. One of the most popular platforms to download free PDF files is Project Gutenberg. This online library offers over 60,000 free eBooks that are in the public domain. From classic literature to historical documents, Project Gutenberg provides a wide range of PDF files that can be downloaded and enjoyed on various devices. The website is user-friendly and allows users to search for specific titles or browse through different categories. Another reliable platform for downloading G10a Swift Service Manual free PDF files is Open Library. With its vast collection of over 1 million eBooks, Open Library has something for every reader. The website offers a seamless experience by providing options to borrow or download PDF files. Users simply need to create a free account to access this treasure trove of knowledge. Open Library also allows users to contribute by uploading and sharing their own PDF files, making it a collaborative platform for book enthusiasts. For those interested in academic resources, there are websites dedicated to providing free PDFs of research papers and scientific articles. One such website is Academia.edu, which allows researchers and scholars to share their work with a global audience. Users can download PDF files of research papers, theses, and dissertations covering a wide range of subjects. Academia.edu also provides a platform for discussions and networking within the academic community. When it comes to downloading G10a Swift Service Manual free PDF files of magazines, brochures, and catalogs, Issuu is a popular choice. This digital publishing platform hosts a vast collection of publications from around the world. Users can search for specific titles or explore various categories and genres. Issuu offers a seamless reading experience with its user-friendly interface and allows users to download PDF files for offline reading. Apart from dedicated platforms, search engines also play a crucial role in finding free PDF files. Google, for instance, has an advanced search feature that allows users to filter results by file type. By specifying the file type as "PDF," users can find websites that offer free PDF downloads on a specific topic. While downloading G10a Swift Service Manual free PDF files is convenient, its

important to note that copyright laws must be respected. Always ensure that the PDF files you download are legally available for free. Many authors and publishers voluntarily provide free PDF versions of their work, but its essential to be cautious and verify the authenticity of the source before downloading G10a Swift Service Manual. In conclusion, the internet offers numerous platforms and websites that allow users to download free PDF files legally. Whether its classic literature, research papers, or magazines, there is something for everyone. The platforms mentioned in this article, such as Project Gutenberg, Open Library, Academia.edu, and Issuu, provide access to a vast collection of PDF files. However, users should always be cautious and verify the legality of the source before downloading G10a Swift Service Manual any PDF files. With these platforms, the world of PDF downloads is just a click away.

### **FAQs About G10a Swift Service Manual Books**

How do I know which eBook platform is the best for me? Finding the best eBook platform depends on your reading preferences and device compatibility. Research different platforms, read user reviews, and explore their features before making a choice. Are free eBooks of good quality? Yes, many reputable platforms offer high-quality free eBooks, including classics and public domain works. However, make sure to verify the source to ensure the eBook credibility. Can I read eBooks without an eReader? Absolutely! Most eBook platforms offer webbased readers or mobile apps that allow you to read eBooks on your computer, tablet, or smartphone. How do I avoid digital eye strain while reading eBooks? To prevent digital eye strain, take regular breaks, adjust the font size and background color, and ensure proper lighting while reading eBooks. What the advantage of interactive eBooks? Interactive eBooks incorporate multimedia elements, quizzes, and activities, enhancing the reader engagement and providing a more immersive learning experience. G10a Swift Service Manual is one of the best book in our library for free trial. We provide copy of G10a Swift Service Manual in digital format, so the resources that you find are reliable. There are also many Ebooks of related with G10a Swift Service Manual. Where to download G10a Swift Service Manual online for free? Are you looking for G10a Swift Service Manual PDF? This is definitely going to save you time and cash in something you should think about. If you trying to find then search around for online. Without a doubt there are numerous these available and many of them have the freedom. However without doubt you receive whatever you purchase. An alternate way to get ideas is always to check another G10a Swift Service Manual. This method for see exactly what may be included and adopt these ideas to your book. This site will almost certainly help you save time and effort, money and stress. If you are looking for free books then you really should consider finding to assist you try this. Several of G10a Swift Service Manual are for sale to free while some are payable. If you arent sure if the books you would like to download works with for usage along with your computer, it is possible to download free trials. The free guides make it easy for

someone to free access online library for download books to your device. You can get free download on free trial for lots of books categories. Our library is the biggest of these that have literally hundreds of thousands of different products categories represented. You will also see that there are specific sites catered to different product types or categories, brands or niches related with G10a Swift Service Manual. So depending on what exactly you are searching, you will be able to choose e books to suit your own need. Need to access completely for Campbell Biology Seventh Edition book? Access Ebook without any digging. And by having access to our ebook online or by storing it on your computer, you have convenient answers with G10a Swift Service Manual To get started finding G10a Swift Service Manual, you are right to find our website which has a comprehensive collection of books online. Our library is the biggest of these that have literally hundreds of thousands of different products represented. You will also see that there are specific sites catered to different categories or niches related with G10a Swift Service Manual So depending on what exactly you are searching, you will be able to choose ebook to suit your own need. Thank you for reading G10a Swift Service Manual. Maybe you have knowledge that, people have search numerous times for their favorite readings like this G10a Swift Service Manual, but end up in harmful downloads. Rather than reading a good book with a cup of coffee in the afternoon, instead they juggled with some harmful bugs inside their laptop. G10a Swift Service Manual is available in our book collection an online access to it is set as public so you can download it instantly. Our digital library spans in multiple locations, allowing you to get the most less latency time to download any of our books like this one. Merely said, G10a Swift Service Manual is universally compatible with any devices to read.

### **Find G10a Swift Service Manual :**

*from my youth up signal lives*

**from bumper to bumper**

**frigate diana**

**from hiroshima to the moon**

*from hayseed to jet pilot and beyond*

from creation to eternity

from grade school to graduation a guide to the schools of ontario

friendliness everyday character education

~~from catharine beecher to martha stewart a cultural history of domestic advice~~

from medicine to miracle

friend for washington



**from harding to hiroshima**  
**from feminism to liberation**  
**fritz john collected papers 001 contemporary mathematicians**  
**friendly ambassador the the beginning of the end product**

### **G10a Swift Service Manual :**

**graham carolyn holidays jazz chants sciarium** - Dec 27 2021

web oct 21 2013 jazz chants are carolyn graham s snappy upbeat chants and poems that use jazz rhythms to illustrate the natural stress and intonation patterns of conversational american english her first book jazz chants was published in 1978 followed by jazz chants for children one year later for over 25 years 2 01 mb added 04 26 2011 13 09

**carolyn graham oxford university press** - Feb 09 2023

web carolyn graham is the creator of jazz chants which connect the rhythm of spoken american english to the beat of jazz she developed the technique of jazz chanting during her twenty five years of teaching esl in the american *teaching jazz chants carolyn graham youtube* - Aug 03 2022

web jan 8 2010 introducción a la metodología de enseñanza del inglés jazz chants aprender el inglés a través del ritmo del juego y de la música dirigida a los docentes

**how to create a jazz chant by carolyn graham teaching village** - Jun 01 2022

web may 23 2010 last november carolyn graham did a workshop at the jalt national conference in shizuoka japan on how to make a jazz chant i taped her workshop and with her permission am sharing the part of it where she demonstrates her technique

**amazon com jazz chants 9780195024074 graham carolyn** - Apr 11 2023

web apr 13 1978 carolyn graham is the creator of jazz chants which connect the rhythm of spoken american english to the beat of jazz she developed the technique of jazz chanting during her twenty five years of teaching esl in the american language institute of new york university

**the heart of conversation to understand be understood** - May 12 2023

web carolyn graham a jazz chant is really just spoken american english with an awareness of the natural rhythms chants use natural spoken english chants can be used in classes of any size chants don t require any special materials chants can be used with all age groups chants do not require musical ability

**carolyn graham wikipedia** - Jul 14 2023

web carolyn graham is the creator of numerous english language teaching books most notably jazz chants and let s sing let s

chant published by oxford university press she also wrote the songs for the let s go textbooks and susan rivers tiny talk series of elt books 1 also published by oup

**jazz chants old and new graham carolyn archive org** - Mar 10 2023

web jazz chants old and new graham carolyn free download borrow and streaming internet archive

*grammar chants carolyn graham marilyn s rosenthal* - Dec 07 2022

web jazz chants are carolyn graham s snappy upbeat chants and poems that use jazz rhythms to illustrate the natural stress and intonation patterns of conversational american english her

**jazz chants by carolyn graham youtube** - Aug 15 2023

web jazz chants by carolyn graham jing franco 39 videos 289 924 views last updated on may 5 2019 play all 1 jazz chants sh sh baby s sleeping elt videos 88k views

**jazz chants les techniques d enseignement de carolyn graham** - Jan 28 2022

web jazz chants les techniques d enseignement de carolyn graham carolyn graham didacticienne de l anglais et créatrice des jazz chants utilise le rythme du ragtime et la gestuelle pour favoriser l apprentissage du lexique des structures

grammaticales et de l accentuation de l anglais

[jazz chants caroline graham youtube](#) - Jun 13 2023

web jazz chants caroline graham 10 videos 14 335 views last updated on mar 20 2017 Ольга Незабудка 1 0 37 jazz chants who what when where why

[carolyn graham small talk more jazz chants academia edu](#) - Apr 30 2022

web carolyn graham small talk more jazz chants ulyana golovanova

**grammarchants student book jazz chants amazon com** - Sep 04 2022

web apr 1 1993 carolyn graham is the creator of jazz chants which connect the rhythm of spoken american english to the beat of jazz she developed the technique of jazz chanting during her twenty five years of teaching esl in the american language institute of new york university ms

*jazz chants by carolyn graham goodreads* - Jul 02 2022

web carolyn graham jazz chants introduce and reinforce the language structures and functions of everyday spoken english they provide a way of improving students speaking and listening skills the student book contains the words of each chant a useful introduction and clear teaching notes

**jazz chants carolyn graham google books** - Jan 08 2023

web jazz chants are carolyn graham s snappy upbeat chants and poems that use jazz rhythms to illustrate the natural stress and intonation patterns of conversational american english her first book jazz chants was published in 1978 followed by jazz

chants for children one year later

*jazz chants graham carolyn amazon es libros* - Mar 30 2022

web isbn 10 0195024079 isbn 13 978 0195024074 peso del producto 276 g dimensiones 26 62 x 22 5 x 0 56 cm clasificación en los más vendidos de amazon nº806 682 en libros ver el top 100 en libros nº2 317 en música jazz nº14 499 en inglés como idioma extranjero

graham carolyn small talk more jazz chants sciarium - Oct 05 2022

web jun 14 2007 textbook for foreign speakers oxford university press 1978 86 p jazz chants are carolyn graham s snappy upbeat chants and poems that use jazz rhythms to illustrate the natural stress and intonation patterns of conversational american english her first book jazz chants was published in

jazz chants stop that noise carolyn graham youtube - Nov 06 2022

web sep 18 2018 a class of young teacher trainees learning the carolyn graham jazz chant stop that noise students are 4th year b ed english majors from skru songkhl

**graham carolyn children s jazz chants audio sciarium** - Feb 26 2022

web oct 17 2012 jazz chants are carolyn graham s snappy upbeat chants and poems that use jazz rhythms to illustrate the natural stress and intonation patterns of conversational american english her first book jazz chants was published in 1978 followed by jazz chants for children one year later for over 25 years 2 01 mb

*fires floods and fallen leaves wednesday s best photos* - Apr 29 2022

web 2 days ago main image firefighters try to extinguish a peatland fire in south sumatra indonesia wed 13 sep 2023 08 16 edt last modified on wed 13 sep 2023 08 27 edt

*words best chut image pdf 2023 voto uncal edu* - Dec 14 2020

web words best chut image pdf this is likewise one of the factors by obtaining the soft documents of this words best chut image pdf by online you might not require more

**words best chut image pdf pdf bukuclone ortax** - Mar 17 2021

web words best chut image pdf introduction words best chut image pdf pdf title words best chut image pdf pdf bukuclone ortax org created date 9 1 2023

*words best chut image retreat vedantaworld org* - Jun 19 2021

web 4 words best chut image 2020 12 08 revolution and lily is drawn into an affair with sergei a count with fervent revolutionary ideals following sergei when he is banished

words best chut image nysm pfi org - Dec 26 2021

web words best chut image words best chut image 2 downloaded from nysm pfi org on 2021 05 13 by guest over 3 million

copies sold essential reading for catholics of all

[photos this week september 7 14 2023 cnn](#) - Aug 22 2021

web 20 hours ago the week in 33 photos updated 7 13 pm edt thu september 14 2023 link copied at least 5 000 people have died in eastern libya after heavy rain from

[words best chut image huafay](#) - Jan 15 2021

web words best chut image or get it as soon as workable you have persisted in right site to begin getting this data it is your definitely own age to demonstrate evaluating practice in

**257 chut stock photos images pictures dreamstime** - Sep 03 2022

web download chut stock photos free or royalty free photos and images use them in commercial designs under lifetime perpetual worldwide rights dreamstime is the

**words best chut image help environment harvard edu** - Oct 24 2021

web enjoy now is words best chut image below when angels cry neil antonio 2008 11 pearls of wisdom is a story about life and death it is a story of one man s path to finding

**alien remains and a mahsa amini protest thursday s best photos** - Jan 27 2022

web 1 day ago london uk british iranians protest against the tehran regime before the first anniversary of the death of mahsa amini the 22 year old died in custody after being

[the best street style moments from vogue world london 2023](#) - Nov 05 2022

web 1 day ago september 14 2023 acielle styledumonde tonight s vogue world london kicked off london fashion week with a star studded and fashion filled extravaganza at

[words best chut image secure4 khronos](#) - Feb 13 2021

web words best chut image is obtainable in our text accumulation an online access to it is set as public so you can get it instantly we disburse for words best chut image and

[words best chut image pdf stoa](#) - Nov 24 2021

web people have look hundreds times for their favorite books like this words best chut image pdf but end up in infectious downloads rather than reading a good book with a cup of

**words best chut image publicaties sodexo nl** - Apr 10 2023

web enter the realm of words best chut image a mesmerizing literary masterpiece penned by way of a distinguished author guiding readers on a profound journey to unravel the

**best of the mtv video music awards september 13 2023** - May 31 2022

web sep 11 2023 pictures 29 photos september 13 2023 12 30 pm utc best of the mtv video music awards the fashion

moments winners and performances at the mtv

**bad words pictures download free images on unsplash** - Nov 12 2020

web people images pictures girls photos images women images pictures berlin blog hd black wallpapers cadzand bad cadzand niederlande words wall hd art wallpapers

**chut image photos and premium high res pictures** - Aug 14 2023

web browse getty images premium collection of high quality authentic chut image stock photos royalty free images and pictures chut image stock photos are available in a variety of sizes and formats to fit your needs

**words best chut image uniport edu ng** - May 19 2021

web aug 1 2023 words best chut image 2 8 downloaded from uniport edu ng on august 1 2023 by guest anticipated third collection of poetry rupi kaur constantly embraces

vogue world sienna miller stormzy and more stars hit london - Feb 25 2022

web 22 hours ago bbc news culture britain s top stars from the world of fashion and the creative arts descended on london s theatre royal drury lane in the famed west end

**pictures of what happened this week new york fashion week** - Mar 29 2022

web 23 hours ago see 10 of the week s most interesting images from around the world as selected by washington post photo editors coco gauff claims u s open title and

6 023 883 words images stock photos vectors shutterstock - Dec 06 2022

web 6 023 883 words stock photos vectors and illustrations are available royalty free random letters fall from top alphabet book concept for grammar school success

*50 chut image stock photos pictures royalty free images* - Mar 09 2023

web search from chut image stock photos pictures and royalty free images from istock find high quality stock photos that you won t find anywhere else

*52 xxx indian sexy chut photos desi nude girls pussy pics* - Jul 13 2023

web aug 8 2021 lewd 52 hd nude indian sexy chut photos for sexual healing august 8 2021 by goddess aphrodite watch these naughty desi nude chicks showing their juicy

**niece of japan s johnny kitagawa resigns from j pop agency** - Jul 21 2021

web sep 7 2023 kitagawa who died in 2019 aged 87 headed the most powerful talent agency in japan s pop music industry and the scandal which emerged fully earlier this year has

**chut photos and premium high res pictures getty** - Jan 07 2023

web browse getty images premium collection of high quality authentic chut stock photos royalty free images and pictures

chut stock photos are available in a variety of sizes

[g 20 shown unmistakable symbol of india s rise at group photo](#) - Aug 02 2022

web sep 10 2023 [gandhi led the nonviolent protests that brought india independence from british colonial rule in 1947 and modi s decision to use the second and final day of his](#)

**france v uruguay live rugby world cup 2023 bbc** - Jul 01 2022

web 1 day ago [uruguay ranked 17th in world scored first try of game and only trailed 13 5 at half time france lock remain taofifenua sent to sin bin for dangerous tackle but card](#)

**beautiful words on pinterest** - May 11 2023

web explore a hand picked collection of pins about beautiful words on pinterest

[giant carrots and climate protests friday s best photos](#) - Sep 22 2021

web 6 hours ago [jakarta indonesia trucks unload at the bantar gebang landfill site one of the biggest rubbish dumps in the world the site is the size of 200 football pitches and](#)

[words best chut image pdf free status restek wwu](#) - Apr 17 2021

web words best chut image pdf introduction words best chut image pdf free the professional kresley cole 2014 05 06 the highly anticipated complete novel of the

[50 sexy desi girls chut pics hd jawan ladki ki bur photos](#) - Jun 12 2023

web may 27 2021 [desi nangi chut ke xxx pics par apne lund ka pani arpan kare may 27 2021 by goddess aphrodite in jawan ladkiyon ki nangi bur ko dekhkar aap chudai ke](#)

**beautiful words and pictures on pinterest** - Oct 04 2022

web explore a hand picked collection of pins about beautiful words and pictures on pinterest

**390 cool pictures great words ideas words me quotes** - Feb 08 2023

web nov 23 2018 [explore dee s board cool pictures great words followed by 266 people on pinterest see more ideas about words me quotes great quotes](#)

**gas pipe plan submittal requirements westminster colorado** - Oct 23 2022

web gas pipe plan submittal requirements westminster colorado this is likewise one of the factors by obtaining the soft documents of this gas pipe plan submittal

[gas pipe plan submittal requirements city of westminster](#) - Oct 03 2023

web the city of westminster requires a gas pipe plan to be submitted for any new gas line work or when the input btu hr of a replacement appliance is larger than the appliance it is replacing a copy of the city approved stamped plan must be onsite prior to the inspection

**gas pipe plan submittal requirements westminster colorado** - Aug 01 2023

web gas pipe plan submittal requirements westminster colorado pdf pages 2 3 gas pipe plan submittal requirements westminster colorado pdf upload betty r murray 2 3 downloaded from support ortax org on september 3 2023 by betty r murray 1929 gas journal 1849 journal of gas lighting and water supply 1855 commerce business daily [plan submittal requirements residential permits city of westminster](#) - Sep 02 2023

web plan submittal requirements residential permits as of 12 14 2016 all permit packages must be submitted electronically through the city s website using the online permit portal trakit new single family detached or attached submittals must include all online application fields

**[gas pipe plan submittal requirements westminster colorado](#)** - Feb 12 2022

web jan 19 2023 4730486 gas pipe plan submittal requirements westminster colorado 1 5 downloaded from robbinsmanuscripts berkeley edu on by guest gas pipe plan submittal requirements westminster colorado eventually you will very discover a other experience and expertise by spending more cash yet when

**[gas pipe plan submittal requirements westminster colorado](#)** - Jun 30 2023

web gas pipe plan submittal requirements westminster colorado community planning review the architectural review authorizations for the natural gas pipeline safety act phase iii hubline project maritimes northeast pipeline l l c algonquin gas transmission company and texas eastern transmission corporation sanitary and *tankless water heater permit submittal requirements city of westminster* - Feb 24 2023

web provide a gas pipe plan the permit will not be issued without the gas pipe plan being submitted reviewed and approved refer to city handout on requirements of a gas pipe plan if csst is being used indicate manufacturer desired additional information please indicate if hot water heater is an emergency replacement or not

**[gas pipe plan submittal requirements westminster colorado](#)** - Jul 20 2022

web entirely offer it is not regarding the costs its more or less what you infatuation currently this gas pipe plan submittal requirements westminster colorado as one of the most operating sellers here will agreed be along with the best options to review the iron trade review 1925 federal register 1980 06 27 the iron trade review 1910

**[gas pipe plan submittal requirements westminster colorado](#)** - Apr 28 2023

web gas pipe plan submittal requirements westminster colorado author august blatt from orientation sutd edu sg subject gas pipe plan submittal requirements westminster colorado keywords pipe submittal requirements westminster plan gas colorado created date 4 8 2023

**[gas pipe plan submittal requirements westminster colorado](#)** - Jun 18 2022

web gas pipe plan submittal requirements westminster colorado 1 gas pipe plan submittal requirements westminster

colorado when people should go to the books stores search inauguration by shop shelf by shelf it is in reality problematic this is why we allow the books compilations in this website it will categorically ease you to see guide

*pipeline safety program public utilities commission* - Mar 28 2023

web the colorado public utilities commission puc gas pipeline safety program is charged with confirming compliance with and enforcing the state s intrastate gas pipeline safety regulations to provide public safety to the citizens of colorado

**gas pipes approved materials the engineering toolbox** - Dec 25 2022

web sponsored links there are several types of materials approved for gas work the codes for the local jurisdiction should always be checked but in general steel pipes copper pipes yellow brass pipe ductile iron aluminum pipe pvc pipes

gas pipe plan submittal requirements westminster colorado - Apr 16 2022

web gas pipe plan submittal requirements westminster colorado right here we have countless books gas pipe plan submittal requirements westminster colorado and collections to check out we additionally present variant types and moreover type of the books to browse

**resources for homeowners city of westminster** - May 30 2023

web gas pipe plans hot tubs photo roof inspection pole barns pools removal and re installation of solar pv panels policy residential building permit requirements roofing guide signs single family additions single family basements single family carports single family decks and porches single family garages single family patio covers

**gas pipe plan submittal requirements westminster colorado** - Jan 26 2023

web gas pipe plan submittal requirements westminster colorado proposed outer continental shelf oil and gas lease sale eastern gulf of alaska jun 18 2021 volume 1 is text proceedings offshore technology conference feb 12 2021 pipeline safety regulations jan 14 2021 code of federal regulations title 46 shipping pt 41 69

*free gas pipe plan submittal requirements westminster colorado* - May 18 2022

web gas pipe plan submittal requirements westminster colorado are you being served jul 25 2022 technical abstract bulletin feb 05 2021 the central hall westminster mar 21 2022 city of westminster libraries supplier selection specification nov 28 2022 maryland register state contract supplement nov 16 2021

**download solutions gas pipe plan submittal requirements westminster** - Sep 21 2022

web gas pipe plan submittal requirements westminster colorado code of federal regulations title 46 shipping pt 41 69 revised as of october 1 2009 may 27 2022 pipeline safety regulations sep 06 2020 code of federal regulations 46 shipping dec 22 2021 title 46 2009 u s coast guard dot parts 70 89 jul 29 2022

**gas pipe plan submittal requirements westminster colorado** - Aug 21 2022

web gas pipe plan submittal requirements westminster colorado 1 gas pipe plan submittal requirements westminster



colorado natural gas pipeline and current policies regarding rights of way water and gas review a report for the justification of the federal government to upgrade the gas pipeline distribution system in barrow

**submittal requirements residential gas line** - Mar 16 2022

web submittals gas line plan 3 sets 11 x17 minimum 24 x36 maximum gas line can be a line diagram or an isometric diagram overlaying gas line plan on a plot plan is acceptable if combined plan is clear and legible if hand drawn must be drawn with a *gas pipe plan submittal requirements westminster colorado* - Nov 23 2022

web fetch and deploy the gas pipe plan submittal requirements westminster colorado it is thoroughly straightforward then currently speaking we extend the associate to buy and create bargains to retrieve and configure gas pipe plan submittal requirements westminster colorado therefore easy merely said the gas pipe plan submittal