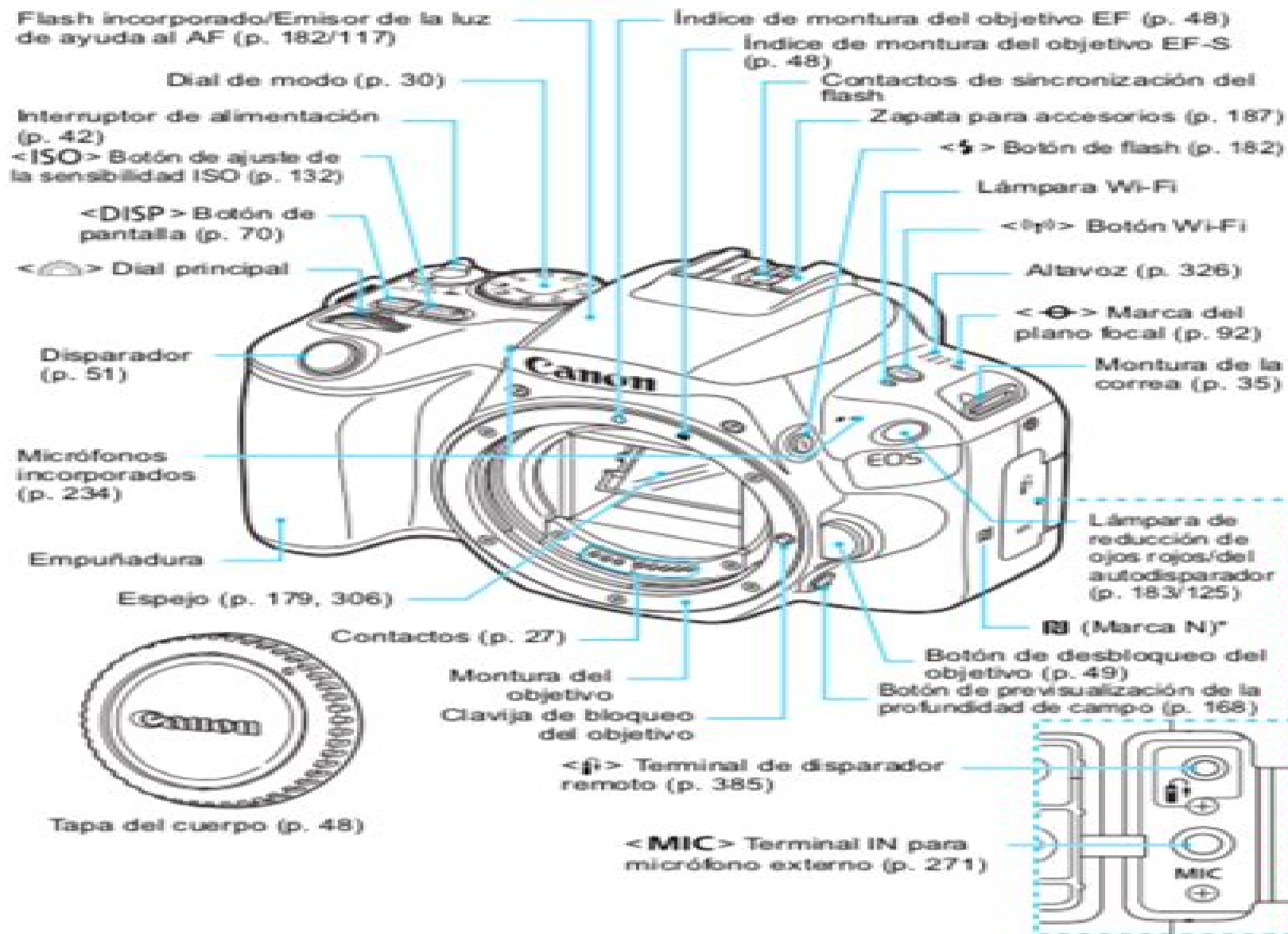


# Nomenclatura



\* Se utiliza para conexiones Wi-Fi mediante la función NFC.

# Manual Camara Canon Eos K

**F Rizvi**



## **Manual Camara Canon Eos K:**

## Decoding **Manual Camara Canon Eos K**: Revealing the Captivating Potential of Verbal Expression

In a time characterized by interconnectedness and an insatiable thirst for knowledge, the captivating potential of verbal expression has emerged as a formidable force. Its power to evoke sentiments, stimulate introspection, and incite profound transformations is genuinely awe-inspiring. Within the pages of "**Manual Camara Canon Eos K**," a mesmerizing literary creation penned by a celebrated wordsmith, readers set about an enlightening odyssey, unraveling the intricate significance of language and its enduring effect on our lives. In this appraisal, we shall explore the book's central themes, evaluate its distinctive writing style, and gauge its pervasive influence on the hearts and minds of its readership.

<https://staging.conocer.cide.edu/data/uploaded-files/default.aspx/Literature%20Timeless%20Voices%20Timeless%20Themes%20Open%20Tests.pdf>

### **Table of Contents Manual Camara Canon Eos K**

1. Understanding the eBook Manual Camara Canon Eos K
  - The Rise of Digital Reading Manual Camara Canon Eos K
  - Advantages of eBooks Over Traditional Books
2. Identifying Manual Camara Canon Eos K
  - Exploring Different Genres
  - Considering Fiction vs. Non-Fiction
  - Determining Your Reading Goals
3. Choosing the Right eBook Platform
  - Popular eBook Platforms
  - Features to Look for in an Manual Camara Canon Eos K
  - User-Friendly Interface
4. Exploring eBook Recommendations from Manual Camara Canon Eos K
  - Personalized Recommendations
  - Manual Camara Canon Eos K User Reviews and Ratings

- Manual Camara Canon Eos K and Bestseller Lists
- 5. Accessing Manual Camara Canon Eos K Free and Paid eBooks
  - Manual Camara Canon Eos K Public Domain eBooks
  - Manual Camara Canon Eos K eBook Subscription Services
  - Manual Camara Canon Eos K Budget-Friendly Options
- 6. Navigating Manual Camara Canon Eos K eBook Formats
  - ePub, PDF, MOBI, and More
  - Manual Camara Canon Eos K Compatibility with Devices
  - Manual Camara Canon Eos K Enhanced eBook Features
- 7. Enhancing Your Reading Experience
  - Adjustable Fonts and Text Sizes of Manual Camara Canon Eos K
  - Highlighting and Note-Taking Manual Camara Canon Eos K
  - Interactive Elements Manual Camara Canon Eos K
- 8. Staying Engaged with Manual Camara Canon Eos K
  - Joining Online Reading Communities
  - Participating in Virtual Book Clubs
  - Following Authors and Publishers Manual Camara Canon Eos K
- 9. Balancing eBooks and Physical Books Manual Camara Canon Eos K
  - Benefits of a Digital Library
  - Creating a Diverse Reading Collection Manual Camara Canon Eos K
- 10. Overcoming Reading Challenges
  - Dealing with Digital Eye Strain
  - Minimizing Distractions
  - Managing Screen Time
- 11. Cultivating a Reading Routine Manual Camara Canon Eos K
  - Setting Reading Goals Manual Camara Canon Eos K
  - Carving Out Dedicated Reading Time
- 12. Sourcing Reliable Information of Manual Camara Canon Eos K
  - Fact-Checking eBook Content of Manual Camara Canon Eos K
  - Distinguishing Credible Sources

13. Promoting Lifelong Learning
  - Utilizing eBooks for Skill Development
  - Exploring Educational eBooks
14. Embracing eBook Trends
  - Integration of Multimedia Elements
  - Interactive and Gamified eBooks

### **Manual Camara Canon Eos K Introduction**

In today's digital age, the availability of Manual Camara Canon Eos K books and manuals for download has revolutionized the way we access information. Gone are the days of physically flipping through pages and carrying heavy textbooks or manuals. With just a few clicks, we can now access a wealth of knowledge from the comfort of our own homes or on the go. This article will explore the advantages of Manual Camara Canon Eos K books and manuals for download, along with some popular platforms that offer these resources. One of the significant advantages of Manual Camara Canon Eos K books and manuals for download is the cost-saving aspect. Traditional books and manuals can be costly, especially if you need to purchase several of them for educational or professional purposes. By accessing Manual Camara Canon Eos K versions, you eliminate the need to spend money on physical copies. This not only saves you money but also reduces the environmental impact associated with book production and transportation. Furthermore, Manual Camara Canon Eos K books and manuals for download are incredibly convenient. With just a computer or smartphone and an internet connection, you can access a vast library of resources on any subject imaginable. Whether you're a student looking for textbooks, a professional seeking industry-specific manuals, or someone interested in self-improvement, these digital resources provide an efficient and accessible means of acquiring knowledge. Moreover, PDF books and manuals offer a range of benefits compared to other digital formats. PDF files are designed to retain their formatting regardless of the device used to open them. This ensures that the content appears exactly as intended by the author, with no loss of formatting or missing graphics. Additionally, PDF files can be easily annotated, bookmarked, and searched for specific terms, making them highly practical for studying or referencing. When it comes to accessing Manual Camara Canon Eos K books and manuals, several platforms offer an extensive collection of resources. One such platform is Project Gutenberg, a nonprofit organization that provides over 60,000 free eBooks. These books are primarily in the public domain, meaning they can be freely distributed and downloaded. Project Gutenberg offers a wide range of classic literature, making it an excellent resource for literature enthusiasts. Another popular platform for Manual Camara Canon Eos K books and manuals is Open Library. Open Library is an initiative of the Internet Archive, a non-profit organization dedicated to digitizing cultural artifacts and making them accessible to the public.

Open Library hosts millions of books, including both public domain works and contemporary titles. It also allows users to borrow digital copies of certain books for a limited period, similar to a library lending system. Additionally, many universities and educational institutions have their own digital libraries that provide free access to PDF books and manuals. These libraries often offer academic texts, research papers, and technical manuals, making them invaluable resources for students and researchers. Some notable examples include MIT OpenCourseWare, which offers free access to course materials from the Massachusetts Institute of Technology, and the Digital Public Library of America, which provides a vast collection of digitized books and historical documents. In conclusion, Manual Camara Canon Eos K books and manuals for download have transformed the way we access information. They provide a cost-effective and convenient means of acquiring knowledge, offering the ability to access a vast library of resources at our fingertips. With platforms like Project Gutenberg, Open Library, and various digital libraries offered by educational institutions, we have access to an ever-expanding collection of books and manuals. Whether for educational, professional, or personal purposes, these digital resources serve as valuable tools for continuous learning and self-improvement. So why not take advantage of the vast world of Manual Camara Canon Eos K books and manuals for download and embark on your journey of knowledge?

### FAQs About Manual Camara Canon Eos K Books

**What is a Manual Camara Canon Eos K PDF?** A PDF (Portable Document Format) is a file format developed by Adobe that preserves the layout and formatting of a document, regardless of the software, hardware, or operating system used to view or print it. **How do I create a Manual Camara Canon Eos K PDF?** There are several ways to create a PDF: Use software like Adobe Acrobat, Microsoft Word, or Google Docs, which often have built-in PDF creation tools. Print to PDF: Many applications and operating systems have a "Print to PDF" option that allows you to save a document as a PDF file instead of printing it on paper. Online converters: There are various online tools that can convert different file types to PDF. **How do I edit a Manual Camara Canon Eos K PDF?** Editing a PDF can be done with software like Adobe Acrobat, which allows direct editing of text, images, and other elements within the PDF. Some free tools, like PDFescape or Smallpdf, also offer basic editing capabilities. **How do I convert a Manual Camara Canon Eos K PDF to another file format?** There are multiple ways to convert a PDF to another format: Use online converters like Smallpdf, Zamzar, or Adobe Acrobats export feature to convert PDFs to formats like Word, Excel, JPEG, etc. Software like Adobe Acrobat, Microsoft Word, or other PDF editors may have options to export or save PDFs in different formats. **How do I password-protect a Manual Camara Canon Eos K PDF?** Most PDF editing software allows you to add password protection. In Adobe Acrobat, for instance, you can go to "File" -> "Properties" -> "Security" to set a password to restrict access or editing capabilities. Are there any free

alternatives to Adobe Acrobat for working with PDFs? Yes, there are many free alternatives for working with PDFs, such as: LibreOffice: Offers PDF editing features. PDFsam: Allows splitting, merging, and editing PDFs. Foxit Reader: Provides basic PDF viewing and editing capabilities. How do I compress a PDF file? You can use online tools like Smallpdf, ILovePDF, or desktop software like Adobe Acrobat to compress PDF files without significant quality loss. Compression reduces the file size, making it easier to share and download. Can I fill out forms in a PDF file? Yes, most PDF viewers/editors like Adobe Acrobat, Preview (on Mac), or various online tools allow you to fill out forms in PDF files by selecting text fields and entering information. Are there any restrictions when working with PDFs? Some PDFs might have restrictions set by their creator, such as password protection, editing restrictions, or print restrictions. Breaking these restrictions might require specific software or tools, which may or may not be legal depending on the circumstances and local laws.

### **Find Manual Camara Canon Eos K :**

[literature timeless voices timeless themes; open- tests](#)

[little left of center an editor reflects on his mennonite experience](#)

[little exotic vegetable](#)

**little miss quick**

**literature 1 reading in the content areas**

[little bunny and her friends](#)

[literary washington a complete guide to the literary life in the nations capital](#)

*little avant garde the piano for pre-schoolers third revised edition*

*little about leech john leech*

[little dog lost](#)

[little kitten adventures](#)

**literature an introduction to reading and writing compact**

[literature and culture in early modern london](#)

**little hamster and the great flood whizz**

[literaturwibenschaft ein grundkurs](#)

### **Manual Camara Canon Eos K :**

[free property report template download in word google - Jul 01 2022](#)



web looking for editable real estate report templates template net can help you craft one fast browse sample property inspection reports estate sales reports estate

**10 building report templates pdf docs pages** - Nov 24 2021

**real estate project report template in word apple pages** - Feb 25 2022

free project report templates smartsheet - May 11 2023

web so the project entitled online real estate website is an end user website the real estate website we are designing that helps the developer to handle those task that had

*real estate project report template* - Dec 06 2022

web real estate project report templates are the perfect solution for staying on top of all your project s nitty gritty details whether you need to revise background information or

40 best real estate website templates 2023 colorlib - Jan 27 2022

*real estate web application core* - Oct 04 2022

web feb 21 2019 in this article you will find 15 best free real estate html website templates of 2023 all templates are suitable for developing a website for real estate

*real estate project report slite* - May 31 2022

web here are some building report templates to help you in your real estate decision making report templates 10 building report templates pdf docs pages get the

*11 real estate project report templates in pdf* - Feb 08 2023

web financial model financial model of real estate project report starts from building up of the project and ends with selling of the whole project hence cash flows of the project

**15 best free real estate html website templates 2023** - Mar 29 2022

*project report on online real estate business slideshare* - Apr 10 2023

web the real estate web application is an interactive effective and revenue generating website designed for the real estate industry the main objective of this application is

**digital report templates for construction real estate** - Aug 14 2023

web planradar has created sample report templates so you can meet standards with ease adapt our existing templates for the

construction site diary fire safety report handover report and home inspection checklist to meet your exact requirements  
*project report for real estate sharda associates - Nov 05 2022*

web create detailed commercial real estate project reports activity reports and real estate sales reports about the comparative market with template net s free real  
free real estate report template download in word google - Apr 29 2022

how to prepare a project report on real estate for project - Aug 02 2022

web with these high performing real estate website templates selling houses apartments and other properties becomes a simple task take action now and spark interest in anyone

**15 free real estate project report templates 6 - Mar 09 2023**

web 461 templates online forms can make a huge difference for agents who are looking to collect real estate applications data whether it s rental or loan or qualifying leads of

**real estate forms form templates jotform - Sep 03 2022**

web create a comprehensive report on your project with this real estate project report template this 12 page document is instantly downloadable anytime anywhere and is

*free real estate report word template download - Dec 26 2021*

**real estate project report 10 examples format pdf - Jul 13 2023**

web nov 8 2014 real estate website a project report submitted in partial fulfillment to complete the 6th semester of bachelor of computer

*real estate project report doc document - Jun 12 2023*

web a project report on online real estate will help you to understand the modeling diagrams for this project and all type of information related to this project project report on

**real estate management system project report studocu - Jan 07 2023**

web writing your property reports has never been easier with template net s free property report templates you can select from our large collection of printable templates

shkarko publikim ne pdf media print yumpu - Mar 14 2023

web dec 27 2014 titulli ushtrime të zgjidhura fizika 10 br autorë br aida rëmbeci maksim rëmbeci br drejtoi botimin br redaktore gjuhësore br anila bisha br flaviola shahinaj br dizajni br mirela ndrita br kopertina visidesign br shtypi strong media strong print br isbn 978 9928 08 076 9 br

*ushtrime dhe problema te zgjidhura fizike e pergjithshme* - Feb 13 2023

web save save ushtrime dhe problema te zgjidhura fizike e pergji for later 77 77 found this document useful mark this document as useful 23 23 found this document not useful mark this document as not useful embed share print download now jump to page you are on page 1 of 238

*fizika ushtrime te zgjidhura dhe leksione detyra al* - Jul 18 2023

web leksione dhe ushtrime te zgjidhura fizika klasa 6 12 pegi atlas do të gjeni tezat e provimeve te fizikes te zgjidhura

*fizika 10 11 pjesa i erik botime zgjidhje ushtrimesh sputnik* - Sep 20 2023

web fizika 10 11 pjesa i erik botime zgjidhjet e ushtrimeve të librit fizika 10 11 pjesa i nga shtëpia botuese erik botime me autorë stephen pople nuk e gjen ushtrimin që do dërgo dm në instagram duke klikuar këtu 1 01 matjet dhe njësitë ushtrimi 1 ushtrimi 2 ushtrimi 3 ushtrimi 4 ushtrimi 5 ushtrimi 6 ushtrimi 7 1 02 sistemi i njësive

**ushtrime tremujori i dyte fizike 10 te zgjidhura pdf scribd** - Nov 10 2022

web ushtrime tremujori i dyte fizike 10 te zgjidhura 1 forca qendersynuese levizja rrethore e njetrajtshme 1 nje tren me mase m 5000t ton eshte duke ecur me shpejtesi 100 km h dhe po ben nje kthese sipas nje harku rrethor me rreze 1 km sa eshte forca qendersynuese qe e ben trenin te levize sipas rrethit te ktheses dhe cili e krijon ate force

*fizika 10 11 pjesa ii shtëpia botuese albas* - Dec 11 2022

web fizika 10 11 pjesa e dytë për klasën e 11 të të shkollës së mesme autor stephen pople botues albas përktheu prof dr vaso qano edmond klironomi elona terziu viti i botimit 2017 faqet 168 isbn 978 9928 02 766 5 jepni vlerësimin tuaj për librin fizika 10 11 pjesa ii cancel reply

*fizika 8 ushtrime dhe problema te zgjidhura fliphtml5* - Jun 05 2022

web jun 22 2020 skica e mësipërme tregon numrin dyshifror 1010 ky mund të shndërrohet në një numër të zakonshëm pra të sistemit dhjetëfishor zonë e sheshtë e thelluar 1 0 10 numri 2 i sistemit dhjetëfishor në sistemin dyshifror është 0010 ndërsa numri 10 i sistemit dhjetëfishor është 1010 në sistemin dyshifror a

**libër mësuesi fizika 10 media print** - Apr 03 2022

web libri i mësuesit përmban planifikimin vjetor planet tremujore planifikimin e orëve mësimore projekte të zhvilluara ushtrime dhe detyra për portofol dhe teste shkarko plane ditare teste projekt kategoria libra mësuesi tags fizika 10 klasa 10 libër mësuesi përshkrimi vlerësimet 0 autor aida rëmbeci isbn 978 9928 08

*lista e librave zgjidhje ushtrimesh sputnik al* - Mar 02 2022

web fizikë kimi matematikë tik lista e librave me zgjidhjet e ushtrimeve mbi 7 000 ushtrime të zgjidhura hap pas hapi në librat e mëposhtëm të shkollës

**fizika ushtrime te zgjidhura bukinist** - Sep 08 2022

web fizika ushtrime te zgjidhura nga aida rëmbeci prof dr margarita ifti mep0033 përshkrim i shkurtër botimi përmban ushtrime të zgjidhura informacion mbi njohuritë bazë për fizikën teste model për provimin e maturës

**fizika ushtrime te zgjidhura bukinist** - May 04 2022

web mesim besimi 6 per klasen e gjashte te mesim besimi 5 per klasen e peste te mesim besimi 4 per klasen e katert te mesim besimi 3 per klasen e trete te botimi përmban ushtrime të zgjidhura informacion mbi njohuritë bazë për fizikën teste model për provimin e maturës

**ushtrimi 1 pyetje për kapitullin 1 fizika 10 11 pjesa e sputnik** - Apr 15 2023

web zgjidhja e ushtrimit 1 të mësimit pyetje për kapitullin 1 në librin fizika 10 11 pjesa e parë nga shtëpia botuese mediaprint me autorë david sang

**fizikë 10 zgjidhje ushtrimesh dhe problemash momenti i forcës** - Oct 09 2022

web feb 25 2021 mësuese luljeta gjergo

15 ushtrime me zgjidhje teori formula dhe ushtrime të zgjidhura - Jul 06 2022

web ushtrimi 6 një mol gaz ideal ndodhet në shtypje 2 10 5 pa dhe vëllim 2m 3 vëllimin e gazit e mbajmë konstant ndërsa p2 2p1 më pas mbajmë shtypjen konstante dhe v3 2v2 a ndërto garfikun në p v b gjej punën c llogaritni u dhe q në çdo izoproces

**ushtrime te zgjedhura te zgjidhura fizika 2 java 10 pdf** - Feb 01 2022

web download now of 9 ushtrime te zgjedhura vetitë e dritës maj 2020 f1 një pllakë xhami që e ka treguesin e përthyerjes 1 50 është zhytur në ujë i cili e ka treguesin e përthyerjes 1 33 drita nga uji bie mbi xham gjeni këndin e përthyerjes nqs këndi i rënies është a 60° b 45° dhe c 30°

*fizika 10 pdf scribd* - Jun 17 2023

web viti shkollor 2022 2023 klasa 10 1 një nxënës ne garën me biçikleta niset nga prehja dhe 50m e para rrit shpejtesine me 5m s në 50m e dyta të garës e rrit shpejtesinë me 10m s percaktoni a nxitimin në pjesën e parë 5 p

**10 ushtrime të zgjidhura teori dhe formula 12vite com** - May 16 2023

web dinamika shpjegime dhe ushtrime te zgjidhura hap pas hapi ligji i parë i njutonit ligji i dytë dhe i tretë 10 ushtrime te zgjidhura me forcën nxitim 12vite com përgatitje për shkollën e lartë

*puna dhe energjia 11 ushtrime të zgjidhura teori dhe formula* - Jan 12 2023

web ushtrime të zgjidhura ushtrimi 1 trupi me masë m1 me shpejtësi v1 ka energji kinetike ek1 nëse masën e zmadhojmë dy herë dhe shpejtësinë e zvogëlojmë 2 herë gjeni cfarë ndodh me energjinë kinetike të trupit të dhënëna zgjidhja ushtrimi 2 trupi me masë m1 që lëviz me shpejtësi v1 ka energji kinetike ek1

fizika ushtrime të zgjidhura media print - Aug 07 2022

web l 700 00 botimi përmban ushtrime të zgjidhura informacion mbi njohuritë bazë për fizikën teste model për provimin e

maturës teksti është përpiluar me synimin që t i ndihmojë gjimnazistët të përvetësojnë sa më mirë fizikën e klasës 12 të dhe më pas të mbërrijnë në rezultate sa më të larta në provimin e maturës

[fizika 10 11 pjesa e parë mediaprint sputnik](#) - Aug 19 2023

web kapitulli 2 ushtrimi 2 1 ushtrimi 2 2 ushtrimi 2 3 ushtrimi 2 4 ushtrimi 2 5 ushtrimi 2 6 ushtrimi 2 7 ushtrimi 2 8 ushtrimi 2 9 ushtrimi 2 10

[fruhe bindungen und sozialisation eine einfuehrung copy](#) - Aug 25 2022

web die bedeutung der bindungstheorie für den schulischen kontext bürgerschaftliches engagement psychisch erkrankter menschen handlungsbefähigung und milieu soziologie und nationalsozialismus fruhe bindungen und sozialisation eine einfuehrung downloaded from design bluesquare org by guest maurice precious frühe

**sozialisation was ist das zusammenfassung dokumente** - Jul 24 2022

web definition sozialisation ist begrifflich zu fassen als der prozess der entstehung und entwicklung der persönlichkeit in wechselseitiger abhängigkeit von der gesellschaftlich vermittelten sozialen und materiellen umwelt vorrangig thematisch ist dabei wie sich der mensch zu einem gesellschaftlich handlungsfähigen subjekt bildet

**fruhe bindungen und sozialisation eine einfuehrung 2022 usa** - Apr 20 2022

web werte und normenverfall und eine zunehmende kriminalitätsneigung vor diesem hintergrund untersucht klaus bott grundlegende vorstellungen die kinder im alter zwischen fünf und zehn

[fruhe bindungen und sozialisation eine einfuehrung kurt mühler](#) - Jan 30 2023

web merely said the fruhe bindungen und sozialisation eine einfuehrung is universally compatible taking into consideration any devices to read kriminalitätsvorstellungen in der kindheit klaus bott 2008 02 15 junge menschen stehen häufig im fokus der öffentlichen diskussion über den gesellschaftlichen werte und normenverfall und eine zunehmende

[frühe bindungen und sozialisation eine einfuehrung](#) - Nov 27 2022

web may 15 2023 frühe bindungen und sozialisation eine einfuehrung bei der diskussion von forschungsbefunden werden die sozialen und kulturellen kontexte in denen kinder und jugendliche aufwachsen durchgehend berücksichtigt und

**istanbul konvention nds ministerium für soziales arbeit** - Feb 16 2022

web istanbul konvention ist ein völkerrechtlicher menschenrechtsvertrag und wurde am 11 mai 2011 in istanbul beschlossen die konvention verpflichtet die vertragsstaaten umfassende maßnahmen zur prävention intervention schutz und zu rechtlichen sanktionen gegen geschlechtsspezifische gewalt zu ergreifen die istanbul

**fruhe bindungen und sozialisation eine einfuehrung** - Mar 20 2022

web 2 fruhe bindungen und sozialisation eine einfuehrung 2019 07 24 rahmen einer quantitativen sekundäranalyse repräsentativer daten überprüft sie den einfluss dieser faktoren hinsichtlich suchtähnlicher internetnutzung und elterlicher

medienerziehung und

frühe bindungen und sozialisation eine einführung google - Sep 06 2023

web bei der diskussion von forschungsbefunden zum thema bindung und sozialisation werden die sozialen und kulturellen kontexte in denen kinder und jugendliche aufwachsen durchgehend

**fruhe bindungen und sozialisation eine einführung 2023** - Apr 01 2023

web fruhe bindungen und sozialisation eine einführung wilde cliquen in der weimarer zeit dec 25 2021 studienarbeit aus dem jahr 2010 im fachbereich pädagogik geschichte der päd note 2 0 helmut schmidt universität universität der bundeswehr hamburg sprache deutsch abstract penner

**fruhe bindungen und sozialisation eine einführung copy** - May 02 2023

web der band vereint erstmals die bindungsforschung und die an kohlberg orientierte moralentwicklungsforschung und versucht diese miteinander zu verknüpfen im zentrum steht dabei die frage nach den sozialen und psychischen bedingungen moralischer entwicklung und moralischen handelns

*fruhe bindungen und sozialisation eine einführung* - Feb 28 2023

web fruhe bindungen und sozialisation eine einführung schulische sozialisation nov 05 2022 die jetzt modularisierte struktur des erziehungswissenschaftlichen studiums gibt neue anforderungskriterien vor denen mit diesem lehrbuch zum thema sozialisation in der und durch die schule entsprochen wird

sozialisation wikipedia - Oct 27 2022

web sozialisation ist ein sozialwissenschaftlicher begriff er bezeichnet zum einen die entwicklung der persönlichkeit aufgrund ihrer interaktion mit einer spezifischen materiellen und sozialen umwelt zum anderen die sozialen bindungen von individuen die sich im zuge sozialisatorischer beziehungen konstituieren

**fruhe bindungen und sozialisation eine einführung** - May 22 2022

web oct 9 2023 pages of fruhe bindungen und sozialisation eine einführung a mesmerizing literary creation penned by way of a celebrated wordsmith readers set about an enlightening odyssey unraveling the intricate significance of language and its enduring affect our lives in this appraisal we shall explore

**frühe bindungen und sozialisation eine einführung** - Oct 07 2023

web frühe bindungen und sozialisation eine einführung grundlagentexte pädagogik hopf christel isbn 9783779915294 kostenloser versand für alle bücher mit versand und verkauf duch amazon

**fruhe bindungen und sozialisation eine einführung 2022** - Jun 22 2022

web fruhe bindungen und sozialisation eine einführung fr he helfen die bedeutung prim rpr ventiver unterst tzungsangebote f r schwangere m tter und familien durch kooperation von sozialarbeit und gesundheitswesen identitätsbildung und

lebensverläufe bei pflegekindern handlungsbefähigung und milieu exzessive internetnutzung

**frühe bindungen und sozialisation eine einföhrung** - Aug 05 2023

web frühe bindungen und sozialisation eine einföhrung author christel hopf summary wenn man verstehen will wie kinder in unsere gesellschaft hineinwachsen sollte man sich mit ihren sehr frühen sozialen erfahrungen und beziehungen befassen wegweisend hierfür sind die theoretischen und empirischen analysen der bindungsforschung

**frühe bindungen und sozialisation eine einföhrung** - Jun 03 2023

web bei der diskussion von forschungsbefunden zum thema bindung und sozialisation werden die sozialen und kulturellen kontexte in denen kinder und jugendliche aufwachsen durchgehend berücksichtigt und eine interdisziplinäre orientierung angestrebt

**fruhe bindungen und sozialisation eine einföhrung pdf** - Jul 04 2023

web fruhe bindungen und sozialisation eine einföhrung 5 5 enormer bedeutung sind die aufnahme des kindes in die pflegefamilie und die dortigen lebensumstände ziehen ebenfalls konsequenzen mit sich die im dritten teil veranschaulicht werden sollen die aktuelle situation der fremdunterbringung hat auswirkungen auf die kindlichen

frühe bindungen und sozialisation eine einföhrung - Dec 29 2022

web einföhrung frühe bindungen und sozialisation von christel hopf einföhrung in die sozialisationsforschung unibi sose2011 sozialisation über die vermittlung von gesellschaft und kapitel 6 ozialisation s klinkhardt sozialisation eine einföhrung sozialisation und lernen erziehung bildung sozialisation fragen und antworten pdf christel

**sozialisierung wikipedia** - Sep 25 2022

web sozialisierung verstaatlichung die Überföhrung von privatem in gesellschaftliches beziehungsweise staatliches eigentum sozialisation die entwicklung der persönllichkeit aufgrund ihrer interaktion mit einer spezifischen materiellen und sozialen umwelt