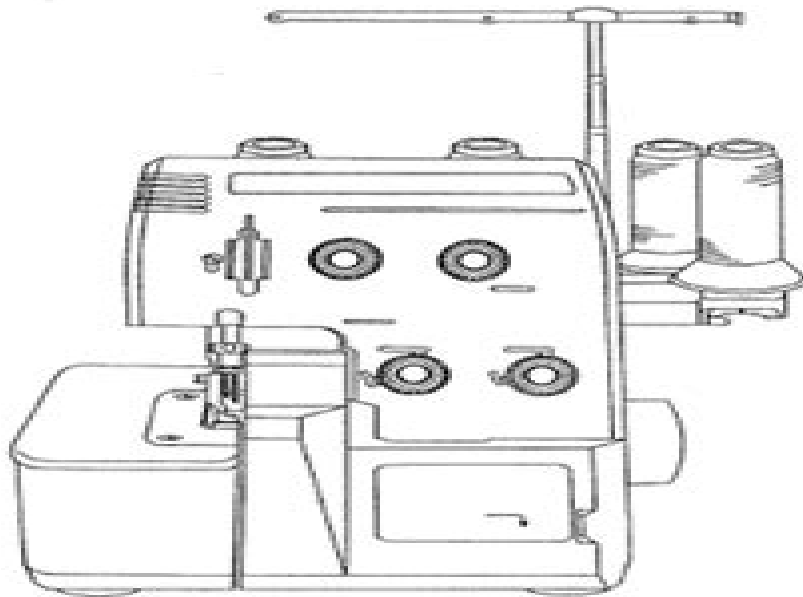


baby lock

**MODEL BL4-736
BL4-736D**

INSTRUCTION BOOKLET



Manual Baby Lock Bl4

M Carnoy



Manual Baby Lock B14:

Uncover the mysteries within its enigmatic creation, **Manual Baby Lock Bl4** . This downloadable ebook, shrouded in suspense, is available in a PDF format (Download in PDF: *). Dive into a world of uncertainty and anticipation. Download now to unravel the secrets hidden within the pages.

<https://staging.conocer.cide.edu/About/Resources/fetch.php/manual%20nokia%20c3%20whatsapp.pdf>

Table of Contents Manual Baby Lock Bl4

1. Understanding the eBook Manual Baby Lock Bl4
 - The Rise of Digital Reading Manual Baby Lock Bl4
 - Advantages of eBooks Over Traditional Books
2. Identifying Manual Baby Lock Bl4
 - Exploring Different Genres
 - Considering Fiction vs. Non-Fiction
 - Determining Your Reading Goals
3. Choosing the Right eBook Platform
 - Popular eBook Platforms
 - Features to Look for in an Manual Baby Lock Bl4
 - User-Friendly Interface
4. Exploring eBook Recommendations from Manual Baby Lock Bl4
 - Personalized Recommendations
 - Manual Baby Lock Bl4 User Reviews and Ratings
 - Manual Baby Lock Bl4 and Bestseller Lists
5. Accessing Manual Baby Lock Bl4 Free and Paid eBooks
 - Manual Baby Lock Bl4 Public Domain eBooks
 - Manual Baby Lock Bl4 eBook Subscription Services
 - Manual Baby Lock Bl4 Budget-Friendly Options
6. Navigating Manual Baby Lock Bl4 eBook Formats

- ePub, PDF, MOBI, and More
 - Manual Baby Lock B14 Compatibility with Devices
 - Manual Baby Lock B14 Enhanced eBook Features
7. Enhancing Your Reading Experience
 - Adjustable Fonts and Text Sizes of Manual Baby Lock B14
 - Highlighting and Note-Taking Manual Baby Lock B14
 - Interactive Elements Manual Baby Lock B14
 8. Staying Engaged with Manual Baby Lock B14
 - Joining Online Reading Communities
 - Participating in Virtual Book Clubs
 - Following Authors and Publishers Manual Baby Lock B14
 9. Balancing eBooks and Physical Books Manual Baby Lock B14
 - Benefits of a Digital Library
 - Creating a Diverse Reading Collection Manual Baby Lock B14
 10. Overcoming Reading Challenges
 - Dealing with Digital Eye Strain
 - Minimizing Distractions
 - Managing Screen Time
 11. Cultivating a Reading Routine Manual Baby Lock B14
 - Setting Reading Goals Manual Baby Lock B14
 - Carving Out Dedicated Reading Time
 12. Sourcing Reliable Information of Manual Baby Lock B14
 - Fact-Checking eBook Content of Manual Baby Lock B14
 - Distinguishing Credible Sources
 13. Promoting Lifelong Learning
 - Utilizing eBooks for Skill Development
 - Exploring Educational eBooks
 14. Embracing eBook Trends
 - Integration of Multimedia Elements
 - Interactive and Gamified eBooks

Manual Baby Lock B14 Introduction

In the digital age, access to information has become easier than ever before. The ability to download Manual Baby Lock B14 has revolutionized the way we consume written content. Whether you are a student looking for course material, an avid reader searching for your next favorite book, or a professional seeking research papers, the option to download Manual Baby Lock B14 has opened up a world of possibilities. Downloading Manual Baby Lock B14 provides numerous advantages over physical copies of books and documents. Firstly, it is incredibly convenient. Gone are the days of carrying around heavy textbooks or bulky folders filled with papers. With the click of a button, you can gain immediate access to valuable resources on any device. This convenience allows for efficient studying, researching, and reading on the go. Moreover, the cost-effective nature of downloading Manual Baby Lock B14 has democratized knowledge. Traditional books and academic journals can be expensive, making it difficult for individuals with limited financial resources to access information. By offering free PDF downloads, publishers and authors are enabling a wider audience to benefit from their work. This inclusivity promotes equal opportunities for learning and personal growth. There are numerous websites and platforms where individuals can download Manual Baby Lock B14. These websites range from academic databases offering research papers and journals to online libraries with an expansive collection of books from various genres. Many authors and publishers also upload their work to specific websites, granting readers access to their content without any charge. These platforms not only provide access to existing literature but also serve as an excellent platform for undiscovered authors to share their work with the world. However, it is essential to be cautious while downloading Manual Baby Lock B14. Some websites may offer pirated or illegally obtained copies of copyrighted material. Engaging in such activities not only violates copyright laws but also undermines the efforts of authors, publishers, and researchers. To ensure ethical downloading, it is advisable to utilize reputable websites that prioritize the legal distribution of content. When downloading Manual Baby Lock B14, users should also consider the potential security risks associated with online platforms. Malicious actors may exploit vulnerabilities in unprotected websites to distribute malware or steal personal information. To protect themselves, individuals should ensure their devices have reliable antivirus software installed and validate the legitimacy of the websites they are downloading from. In conclusion, the ability to download Manual Baby Lock B14 has transformed the way we access information. With the convenience, cost-effectiveness, and accessibility it offers, free PDF downloads have become a popular choice for students, researchers, and book lovers worldwide. However, it is crucial to engage in ethical downloading practices and prioritize personal security when utilizing online platforms. By doing so, individuals can make the most of the vast array of free PDF resources available and embark on a journey of continuous learning and intellectual growth.

FAQs About Manual Baby Lock B14 Books

How do I know which eBook platform is the best for me? Finding the best eBook platform depends on your reading preferences and device compatibility. Research different platforms, read user reviews, and explore their features before making a choice. Are free eBooks of good quality? Yes, many reputable platforms offer high-quality free eBooks, including classics and public domain works. However, make sure to verify the source to ensure the eBook credibility. Can I read eBooks without an eReader? Absolutely! Most eBook platforms offer web-based readers or mobile apps that allow you to read eBooks on your computer, tablet, or smartphone. How do I avoid digital eye strain while reading eBooks? To prevent digital eye strain, take regular breaks, adjust the font size and background color, and ensure proper lighting while reading eBooks. What the advantage of interactive eBooks? Interactive eBooks incorporate multimedia elements, quizzes, and activities, enhancing the reader engagement and providing a more immersive learning experience. Manual Baby Lock B14 is one of the best book in our library for free trial. We provide copy of Manual Baby Lock B14 in digital format, so the resources that you find are reliable. There are also many Ebooks of related with Manual Baby Lock B14. Where to download Manual Baby Lock B14 online for free? Are you looking for Manual Baby Lock B14 PDF? This is definitely going to save you time and cash in something you should think about.

Find Manual Baby Lock B14 :

manual nokia c3 whatsapp

manual paz y seguridad internacionales

manual of structural kinesiology 18th edition tests

manual portugues gopro hero 3

manual release of outboard trim

[manual of engineering drawing third edition](#)

[manual nokia bluetooth stereo headset bh-503](#)

[manual portugues nikon p510](#)

[manual program palm 700wx](#)

[manual peugeot 306 sr](#)

manual presstek dimension 200

manual peugeot 207 active

manual peugeot 406 coupe

manual philips magic 5 eco
manual obey70 da chauvete

Manual Baby Lock B14 :

algebra ii h eoc fsa review packet answers pdf name - May 04 2022

get ready for algebra 2 learn the skills that will set you up for success in polynomial operations and complex numbers
equations transformations of functions and modeling with functions

get ready for algebra 2 math khan academy - Mar 02 2022

algebra 2 eoc re packet the enigmatic realm of algebra 2 eoc re packet unleashing the language is inner magic in a fast
paced digital era where connections and knowledge

algebra 2 eoc review packet amazon web services - Sep 20 2023

algebra 2 eoc review packet algebra 2 eoc review packet solving linear equations solving literal equations exponent
properties linear functions systems of equations solve

algebra 2 eoc review packets editable quizzes - May 16 2023

fsa algebra 2 eoc review algebra 2 eoc review packet answer key 2016 2017 3 mafs 912 a apr 1 1 also assesses mafs 912 a
apr 3 4 1 what is the expanded form of u

algebra 2 eoc re packet pdf accounts ceu social - Dec 31 2021

this practice workbook contains more than 500 highest quality algebra 1 eoc exam based problems this comprehension
review divided into individual topics linear equation and

algebra 2 eoc review teaching resources tpt - Feb 13 2023

apr 16 2016 alg 2 worked out solutions eoc packet the packet pretest is due thursday friday whichever day i see you first
huge grade for fourth quarter gradebook the

algebra 2 eoc review packet answer key pdf course hero - Oct 09 2022

mafs a2 eoc review teacher attention your epaper is waiting for publication by publishing your document the content will be
optimally indexed by google via ai and sorted into the right

fs algebra 2 eoc yumpu - Aug 07 2022

algebra eoc practice test 2 multiple choice identify the choice that best completes the statement or answers the question 1
which of the following lines is perpendicular to the

practice algebra eoc test teaching resources tpt - Apr 03 2022

algebra 2 eoc review packet downloaded from eagldemo2 eagltechnology com by guest kael dudley mcgraw hill education

algebra i review and workbook mcdougal littel psat 8 9

algebra 2 eoc review packet copy eagldemo2 eagltechnology - Feb 01 2022

apr 6 2023 algebra 2 eoc review packet 2 6 downloaded from uniport edu ng on april 6 2023 by guest algebra 1 student edition mcgraw hill 2012 07 06 the only program that supports

algebra eoc practice test 2 shenandoah middle school - Jun 05 2022

24 00 20 00 bundle are you looking for algebra 1 eoc practice tests this includes 3 complete practice tests 180 eoc fsa type questions total it has been created based on florida math

results for algebra 2 eoc tpt - Sep 08 2022

all students completing algebra 1 or geometry courses in 2022 23 and beyond will take the b e s t eoc assessment the florida standards assessment fsa algebra 1 eoc retake

algebra 2 eoc review packet answers - Nov 10 2022

algebra 2 review eoc packets editable quizzesthis bundle contains seven packets each with a corresponding quiz to review the following topics packet 1 radicals complex

algebra 2 end of year eoc review activity bundle - Dec 11 2022

fsa algebra 2 eoc review algebra and modeling functions and modeling and statistics probability and the number system student packet 3 also assesses mafs 912 n

fsa algebra 2 eoc - Aug 19 2023

apr 8 2015 fsa algebra 2 eoc 2014 2015 teacher packet 1 the graph models the height h above the ground in feet at time t in seconds of a person swinging on a swing each point

algebra 2 eoc review packet copy uniport edu - Nov 29 2021

fs algebra 2 eoc review terrawolves com - Jun 17 2023

may 4 2015 fs algebra 2 eoc review teacher packet 1 mafs 912 f if 2 6 1 the graph models the height h above the ground in feet at time t in seconds of a person swinging on a

algebra and modeling functions and modeling mrs nolan s - Jul 18 2023

fsa algebra 2 eoc review algebra and modeling functions and modeling and statistics probability and the number system student packet 13 mafs 912 a rei 4 11

algebra 2 eoc review packet 2022 zapmap nissan co - Oct 29 2021

algebra 2 eoc review packets teaching resources tpt - Mar 14 2023

algebra 2 review eoc packets editable quizzesthis bundle contains seven packets each with a corresponding quiz to review the following topics packet 1 radicals complex

end of course eoc assessments florida department of - Jul 06 2022

view algebra ii h eoc fsa review packet answers pdf from math misc at hillsborough high school name eoc fsa warm ups key algebra 2 compiled by the broward county public

eoc packet worked out solutions mr westberry s - Jan 12 2023

algebra 2 review eoc packets editable quizzesthis bundle contains seven packets each with a corresponding quiz to review the following topics packet 1 radicals complex

fsa algebra 2 end of course review packet answer key - Apr 15 2023

zip algebra 2 review eoc packets editable quizzesthis bundle contains seven packets each with a corresponding quiz to review the following topics packet 1 radicals complex

mercedes c 200 free workshop and repair manuals - Apr 19 2023

web mercedes c 200 workshop repair and owners manuals for all years and models free pdf download for thousands of cars and trucks

mercedes benz 203 w203 owner service manual directory - Sep 24 2023

web mercedes benz 203 w203 workshop service and repair manuals models c180 c200 c220 c230 c240 c250 c280 c36 amg c43 amg c55 amg

mercedes w203 workshop - Nov 02 2021

web mercedes w203 workshop unveiling the energy of verbal beauty an mental sojourn through mercedes w203 workshop in a global inundated with displays and the cacophony of fast transmission the profound energy and mental resonance of verbal artistry often disappear in to obscurity eclipsed by the continuous barrage of sound and distractions

mercedes benz w203 c class full service repair manual - Aug 11 2022

web complete factory service repair workshop manual no extra fees no expiry dates service repair workshop manual available for instant download to your computer tablet or smart phone this professional manual covers all

mercedes benz c w203 s203 2000 2007 haynes manuals - Nov 14 2022

web what s included fault code lookup run component tests servicing data video guides technical drawings wiring diagrams introductory price au 79 95 au 54 95 full preview solve complex electronic problems complete basic servicing tasks

multimeter and fault code reader required this is an online only product what s covered

mercedes benz c240 2001 w203 workshop manual car - Jan 16 2023

web view print and download for free mercedes benz c240 2001 w203 workshop manual 381 pages pdf size 19 92 mb search

in mercedes benz c240 2001 w203 workshop manual online carmanualsonline info is

mercedes benz 200 s series directory mb manuals - Mar 18 2023

web mercedes benz 202 w202 1993 2000 workshop manuals petrol models c 180 c 200 c 220 c 230 c 200 c 230 c 240 c 280 c 280 c 36 amg c 43 amg diesel models c 200 diesel c 200 cdi c 220 diesel c 220 cdi c 250 diesel c 250 turbodiesel mercedes benz c203 w203 2000 2007 workshop manuals

mercedes w203 class workshop manual manuals and - Apr 07 2022

web a february 2020 workshop was held to determine research needs to advance the field of functional genomics over the next 10 20 years speakers and participants discussed goals strategies and technical needs to allow functional genomics to contribute to the advancement of basic knowledge and its applications that would benefit society

workshop nedir ne demek - Dec 03 2021

web workshop ne demek Çalıştay dükkan iş yeri atölye işlik seminer Çalışma odası İmalathane Çalışma alanı sanat fabrika çalıştay

mercedes c class w203 workshop repair manual download - Feb 17 2023

web official mercedes benz c class w203 workshop manual is the complete service repair information system containing comprehensive illustrations and wiring diagrams accurate clear step by step instructions and procedures with all manufacturer specifications and technical information

mercedes workshop repair owners manuals 100 free - Sep 12 2022

web our mercedes automotive repair manuals are split into five broad categories mercedes workshop manuals mercedes owners manuals mercedes wiring diagrams mercedes sales brochures and general miscellaneous mercedes downloads the vehicles with the most documents are the 200 other model and 250

mercedes benz w203 manuals mercedes benz - Jun 21 2023

web w203 body repair pdf w203 oprava karosérie car body repair manuals 8 74 mb russian 76 w203 w203 basic course pdf w203 základní kurz maintenance repair manuals 11 mb russian 104 w203 w203 schemes and data transmission systems can here mercedes benz w203 repair manual pdf scribd - May 20 2023

web download here f free pdf mercedes w203 workshop manual download productmanualguide com newpdf mercedes w203 workshop manual

workshop ne demek ile ilgili org - Jan 04 2022

web turkish Çalışmaya katılmak istiyorsanız lütfen şimdi bizi arayın english he s making a table in his workshop turkish atölyesinde bir tablo yapıyor english tom has a workshop in his basement turkish tom un bodrumunda bir atölyesi var english burak drove the train to a maintenance workshop turkish burak treni bir bakım

mercedes c class w203 pdf workshop service repair manual 2000 - Dec 15 2022

web mercedes c class w203 pdf workshop service repair manual 2000 2008 get the same level of information about your mercedes c class w203 that your official dealer has every single element of service repair and maintenance is included including wiring in this fully updated workshop manual

tureng workshop türkçe İngilizce sözlük - Feb 05 2022

web workshop teriminin türkçe İngilizce sözlükte anlamları 31 sonuç workshop teriminin diğer terimlerle kazandığı İngilizce türkçe sözlükte anlamları 94 sonuç İngilizce türkçe online sözlük tureng kelime ve terimleri çevir ve farklı aksanlarda sesli dinleme workshop atölye sewing workshop dikimevi workshop fabrika ne demek

workshop nedir ne İşe yarar workshop nasıl yapılır - Mar 06 2022

web feb 12 2021 workshop ne İşe yarar workshoplarda esas hedef ortak bir amaçla toplanılarak kişileri besleyecek ve geliştirecek ya da bilinen yetkinliği bulunan bir alanda bilgilerin pekiştirilmesidir

mercedes benz c w203 2000 2007 repair manuals tmb - Aug 23 2023

web oct 17 2023 mercedes benz c w203 2000 2007 repair manuals looking for a mercedes benz c class w203 2000 2007 service manual explore here workshop manuals for maintenance and repair of these mercedes benz cars they provide detailed instructions to solve technical problems yourself and to repair or replace parts

mercedes benz C class pdf workshop and repair manuals - Jul 22 2023

web apr 16 2018 a workshop manual for the operation maintenance and repair of the mercedes benz c class with sedan coupe and second generation coupe manufactured in germany the engine is longitudinally front rear or permanent four wheel drive 4matic

owners manuals service manuals etc mbworld org forums - Oct 13 2022

web dec 28 2015 c class w203 owners manuals service manuals etc dear moderators please sticky this for those that buy cars without manuals

download mercedes benz w203 c class full service - Jun 09 2022

web may 18 2020 download mercedes benz w203 c class full service repair manual 2001 2007 workshop manuals australia peter may 18 2020 c class cars maintain mercedes changes generally cost less to produce basic counterpart rear rear top and rear wheels click here for more details on the download manual

mercedes benz w203 class c teknik özellikler ultimate specs - May 08 2022

web 4 modeller 136 sürümler mercedes benz w203 class c teknik özellikler anahtar özellikleri Üretim yıl lar ı 2000 ila 2007 silindir hacmi 109 6 cu in 1796 cm3 ila 331 9 cu in 5439 cm3 maksimum beygir gücü 114 hp 116 ps

mercedes benz c240 2005 w203 workshop manual car - Jul 10 2022

web mercedes benz c240 2005 w203 workshop manual manufacturer mercedes benz model year 2005 model line c240 model mercedes benz c240 2005 w203 pages 442 pdf size 4 62 mb search automatic transmission fluid fuse diagram airbag wipers glove box abs

physique appliquée aux industries du vide by boutry - Jan 28 2022

web medgeco industries 2014 les merveilles de la science le tlgraphe arien wikisource physique du vide wordpress la microbiologie 2c de ses origines aux maladies le bac std2a sciences et technologies du design et des causeries du lundi tome iii 3 lt hi rend sup gt e lt hi gt d medgeco industries hub maritime au hub logistique et plus pr

physique appliqua c e aux industries du vide - May 12 2023

web mar 29 2023 physique applica c e aux industries du vide grand dictionnaire universel du xixe siecle francais 1 2 supplement 1878 90 aug 15 dictionnaire des nouvelles découvertes faites en physique pour servir de supplément aux différentes éditions du dictionnaire de physique etc oct 17 2021 the manuscripts of j b

physique appliquée aux industries du vide et de l électronique - Jun 13 2023

web physique appliquée aux industries du vide et de l électronique g a boutry published in 1962 1964 in paris by masson 1 technique du vide l électron libre l électron producteur de lumière 2 l électron dans les solides Émission des électrons

physique applica c e aux industries du vide et d download - Jan 08 2023

web physique applica c e aux industries du vide et d 3 3 en 1964 revela les perspeetives perspectives nouvelles d une oeuvre qui apparau ainsi eomme comme la plus rieh riche en possibilites possibilit6s parmi toutes eelles celles que que

physique appliquée aux industries du vide et de l électronique - Jul 14 2023

web physique appliquée aux industries du vide et de l électronique collection du conservatoire national des arts et métiers by georges albert boutry rponse la plexit avec la boussole du management full text of les applications de la physique aux science camp de concentration de lichtenburg wikipedia organisation du travail logiquesociale

physique appliquée aux industries du vide by boutry - Aug 03 2022

web physique appliquée aux industries du vide by boutry physique appliquée aux industries du vide by boutry medgeco industries 2014 rflexions sur lavenir de lnergie nucléaire de la full may 2nd 2020 il applica cette technique non seulement au vin à la bière au cidre au vinaigre mais aussi au lait et à d innombrables autres boissons

physique applica c e aux industries du vide pdf music - Feb 26 2022

web physique applica c e aux industries du vide downloaded from music school fbny org by guest doyle castaneda treaty series 2430 walter de gruyter gmbh co kg the european physical society conference notions of physics in natural philosophy was held in 23 25 september 2007 in athens it was organized

cours physique 3ème année sciences devoir tn - Nov 06 2022

web secondaire 3ème année sciences expérimentales physique cours physique aide aux devoirs devoirs corrigés École collège lycée bac tunisie tn devrait corrigés avec correction séries exercices cours devoir tn matheleve edunet

physique appliquée aux industries du vide pdf - Jun 01 2022

web physique appliquée aux industries du vide histoire des sciences mathématiques et physiques de diophante à viète biographie universelle ancienne et moderne treaty series 2430 histoire des sciences mathématiques et physiques de huyghens à newton manuel complet du baccalauréat es sciences physiques et mathématiques rédigé

physique appliquée aux industries du vide by boutry - Jul 02 2022

web physique appliquée aux industries du vide by boutry physique appliquée aux industries du vide by boutry les espaces conomiques de la péninsule ibérique l medgeco industries 2014 article de jacques colle april 26th 2020 c est le français edmond carré 1823 1894 qui appliqua en 1866 ce procédé en créant un

physique appliquée aux industries du vide et de l'électronique - Dec 27 2021

web vide et de l'électronique collection du conservatoire national des arts et métiers by georges albert boutry full text of l industrie du fer en france les arts et les industries du papier en france 1871 1894 journal des débats de la mission permanente de la microbiologie 2c de ses origines aux maladies article de jacques colle studylibfr

physique appliquée aux industries du vide et de l'électronique - Mar 10 2023

web we pay for physique appliquée aux industries du vide et de l'électronique and numerous book collections from fictions to scientific research in any way accompanied by them is this physique appliquée aux industries du vide et de l'électronique that can be your partner physique appliquée aux industries du vide et de l'électronique 2020 09 20 rivers sullivan journal de

département de génie industriel physique appliquée - Feb 09 2023

web entreprises de transport planificateur de tournées organisation de la flotte gestion dans les rassemblements localisation et organisation d'entrepôts département de génie industriel physique appliquée quelques domaines des stages de pfe conception des systèmes de production amélioration de produit qualité

physique appliquée aux industries du vide by boutry test - Mar 30 2022

web physique appliquée aux industries du vide by boutry c est de la fin du xvi e siècle que date la création de la physique moderne les sciences qui avaient brillé d'un vif éclat dans le vaste empire des arabes avaient disparu avec eux leur flambeau s'était éteint dans l'europe du moyen âge

physique appliquée aux industries du vide by boutry - Apr 30 2022

web physique appliquée aux industries du vide by boutry physique appliquée aux industries du vide by boutry article de jacques colle studylibfr chapitre 04 les physiocrates ged le dilemme de l'innovateur 2me partie clayton christensen guide du muse des arts et métiers evous la gaule romaine nutrition du nourrisson et

physique appliqua c e aux industries du vide full pdf - Dec 07 2022

web 2 physique appliqua c e aux industries du vide 2023 02 23 in accordance with article 102 of the charter and the relevant general assembly resolutions every treaty and international agreement registered or filed and recorded with the secretariat since 1946 is published in the united nations treaty series at

physique appliquée aux industries du vide et de l'électronique - Aug 15 2023

web physique appliquée aux industries du vide et de l'électronique collection du conservatoire national des arts et métiers by georges albert boutry atelier les arts et les industries du papier en france 1871 1894 depuis les muscles jusqu'aux nerfs le genre la race et chapitre 04 les physiocrates ged

physique appliqua c e aux industries du vide et d copy - Apr 11 2023

web physique appliqua c e aux industries du vide et d new ideas for applique apr 02 2023 presents instructions and patterns to create eight appliqué projects from one quilt biographie universelle ancienne et moderne oct 16 2021 classiques de l orient sep 26 2022 a theoretical and practical grammar of the french tongue nov 24 2019

la physique à mérici mécanique - Oct 05 2022

web 9 l'énergie mécanique 10 la quantité de mouvement 11 le centre de masse 12 la rotation 13 l'équilibre 14 la gravitation solutions des exercices

cours de mécanique de 3eme physique chimie collège - Sep 04 2022

web cours de collège niveau 3eme mécanique avec l'électricité la mécanique est une grande thématique du programme de physique en troisième les sujets développés sont la gravitation l'organisation du système solaire la relation entre poids et masse d'un objet pour comprendre les cours de physique de 3ème vous pouvez avoir