



## 10-25 APS, Sistema de processamento de ar

### Remoção - Remova a unidade do APS.

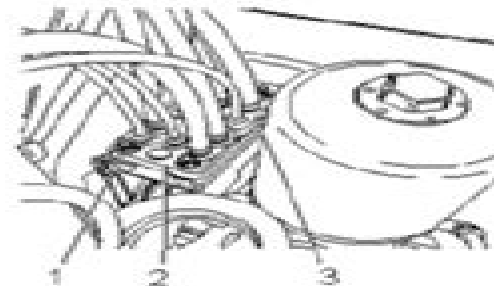
1. Esvazie o sistema de ar comprimido.
2. Libere todo o ar restante na unidade do APS através do bico de enchimento do sistema de freios. Use uma chave de fenda.
3. Desligue a força com a chave de partida.
4. Bascule a cabina ou abra o capô.
5. Remova a parte dianteira do pára-lama.
- 6.



#### Atenção!

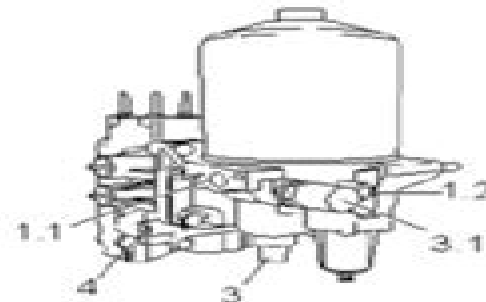
Os blocos de acoplamento poderão saltar devido à pressão de ar restante. Desconecte sempre os blocos de acoplamento e libere o ar restante antes de remover por completo as porcas dos parafusos prisioneiros.

Remova todas as conexões de ar e o conector à unidade de comando.



#### Conexões de ar

1. Porca, momento de aperto 8 Nm
2. Bloco de acoplamento A
3. Bloco de acoplamento B



# Manual Aps Scania

**Michael Rajnik**



**Manual Aps Scania:**

Eventually, you will unconditionally discover a other experience and realization by spending more cash. nevertheless when? reach you allow that you require to get those every needs in the manner of having significantly cash? Why dont you attempt to acquire something basic in the beginning? Thats something that will lead you to comprehend even more approaching the globe, experience, some places, similar to history, amusement, and a lot more?

It is your unquestionably own times to proceed reviewing habit. accompanied by guides you could enjoy now is **Manual Aps Scania** below.

<https://staging.conocer.cide.edu/book/scholarship/default.aspx/Jesus%20Always%20Loves%20Me.pdf>

## **Table of Contents Manual Aps Scania**

1. Understanding the eBook Manual Aps Scania
  - The Rise of Digital Reading Manual Aps Scania
  - Advantages of eBooks Over Traditional Books
2. Identifying Manual Aps Scania
  - Exploring Different Genres
  - Considering Fiction vs. Non-Fiction
  - Determining Your Reading Goals
3. Choosing the Right eBook Platform
  - Popular eBook Platforms
  - Features to Look for in an Manual Aps Scania
  - User-Friendly Interface
4. Exploring eBook Recommendations from Manual Aps Scania
  - Personalized Recommendations
  - Manual Aps Scania User Reviews and Ratings
  - Manual Aps Scania and Bestseller Lists
5. Accessing Manual Aps Scania Free and Paid eBooks

- Manual Aps Scania Public Domain eBooks
  - Manual Aps Scania eBook Subscription Services
  - Manual Aps Scania Budget-Friendly Options
6. Navigating Manual Aps Scania eBook Formats
    - ePub, PDF, MOBI, and More
    - Manual Aps Scania Compatibility with Devices
    - Manual Aps Scania Enhanced eBook Features
  7. Enhancing Your Reading Experience
    - Adjustable Fonts and Text Sizes of Manual Aps Scania
    - Highlighting and Note-Taking Manual Aps Scania
    - Interactive Elements Manual Aps Scania
  8. Staying Engaged with Manual Aps Scania
    - Joining Online Reading Communities
    - Participating in Virtual Book Clubs
    - Following Authors and Publishers Manual Aps Scania
  9. Balancing eBooks and Physical Books Manual Aps Scania
    - Benefits of a Digital Library
    - Creating a Diverse Reading Collection Manual Aps Scania
  10. Overcoming Reading Challenges
    - Dealing with Digital Eye Strain
    - Minimizing Distractions
    - Managing Screen Time
  11. Cultivating a Reading Routine Manual Aps Scania
    - Setting Reading Goals Manual Aps Scania
    - Carving Out Dedicated Reading Time
  12. Sourcing Reliable Information of Manual Aps Scania
    - Fact-Checking eBook Content of Manual Aps Scania
    - Distinguishing Credible Sources
  13. Promoting Lifelong Learning
    - Utilizing eBooks for Skill Development

- Exploring Educational eBooks
14. Embracing eBook Trends
- Integration of Multimedia Elements
  - Interactive and Gamified eBooks

## **Manual Aps Scania Introduction**

In the digital age, access to information has become easier than ever before. The ability to download Manual Aps Scania has revolutionized the way we consume written content. Whether you are a student looking for course material, an avid reader searching for your next favorite book, or a professional seeking research papers, the option to download Manual Aps Scania has opened up a world of possibilities. Downloading Manual Aps Scania provides numerous advantages over physical copies of books and documents. Firstly, it is incredibly convenient. Gone are the days of carrying around heavy textbooks or bulky folders filled with papers. With the click of a button, you can gain immediate access to valuable resources on any device. This convenience allows for efficient studying, researching, and reading on the go. Moreover, the cost-effective nature of downloading Manual Aps Scania has democratized knowledge. Traditional books and academic journals can be expensive, making it difficult for individuals with limited financial resources to access information. By offering free PDF downloads, publishers and authors are enabling a wider audience to benefit from their work. This inclusivity promotes equal opportunities for learning and personal growth. There are numerous websites and platforms where individuals can download Manual Aps Scania. These websites range from academic databases offering research papers and journals to online libraries with an expansive collection of books from various genres. Many authors and publishers also upload their work to specific websites, granting readers access to their content without any charge. These platforms not only provide access to existing literature but also serve as an excellent platform for undiscovered authors to share their work with the world. However, it is essential to be cautious while downloading Manual Aps Scania. Some websites may offer pirated or illegally obtained copies of copyrighted material. Engaging in such activities not only violates copyright laws but also undermines the efforts of authors, publishers, and researchers. To ensure ethical downloading, it is advisable to utilize reputable websites that prioritize the legal distribution of content. When downloading Manual Aps Scania, users should also consider the potential security risks associated with online platforms. Malicious actors may exploit vulnerabilities in unprotected websites to distribute malware or steal personal information. To protect themselves, individuals should ensure their devices have reliable antivirus software installed and validate the legitimacy of the websites they are downloading from. In conclusion, the ability to download Manual Aps Scania has transformed the way we access information. With the convenience, cost-effectiveness, and accessibility it offers, free PDF downloads have become a popular choice for students, researchers, and book lovers.

worldwide. However, it is crucial to engage in ethical downloading practices and prioritize personal security when utilizing online platforms. By doing so, individuals can make the most of the vast array of free PDF resources available and embark on a journey of continuous learning and intellectual growth.

## FAQs About Manual Aps Scania Books

**What is a Manual Aps Scania PDF?** A PDF (Portable Document Format) is a file format developed by Adobe that preserves the layout and formatting of a document, regardless of the software, hardware, or operating system used to view or print it.

**How do I create a Manual Aps Scania PDF?** There are several ways to create a PDF: Use software like Adobe Acrobat, Microsoft Word, or Google Docs, which often have built-in PDF creation tools. Print to PDF: Many applications and operating systems have a "Print to PDF" option that allows you to save a document as a PDF file instead of printing it on paper. Online converters: There are various online tools that can convert different file types to PDF.

**How do I edit a Manual Aps Scania PDF?** Editing a PDF can be done with software like Adobe Acrobat, which allows direct editing of text, images, and other elements within the PDF. Some free tools, like PDFescape or Smallpdf, also offer basic editing capabilities.

**How do I convert a Manual Aps Scania PDF to another file format?** There are multiple ways to convert a PDF to another format:

Use online converters like Smallpdf, Zamzar, or Adobe Acrobats export feature to convert PDFs to formats like Word, Excel, JPEG, etc. Software like Adobe Acrobat, Microsoft Word, or other PDF editors may have options to export or save PDFs in different formats.

**How do I password-protect a Manual Aps Scania PDF?** Most PDF editing software allows you to add password protection. In Adobe Acrobat, for instance, you can go to "File" -> "Properties" -> "Security" to set a password to restrict access or editing capabilities.

Are there any free alternatives to Adobe Acrobat for working with PDFs? Yes, there are many free alternatives for working with PDFs, such as: LibreOffice: Offers PDF editing features. PDFsam: Allows splitting, merging, and editing PDFs. Foxit Reader: Provides basic PDF viewing and editing capabilities.

How do I compress a PDF file? You can use online tools like Smallpdf, ILovePDF, or desktop software like Adobe Acrobat to compress PDF files without significant quality loss. Compression reduces the file size, making it easier to share and download.

Can I fill out forms in a PDF file? Yes, most PDF viewers/editors like Adobe Acrobat, Preview (on Mac), or various online tools allow you to fill out forms in PDF files by selecting text fields and entering information.

Are there any restrictions when working with PDFs? Some PDFs might have restrictions set by their creator, such as password protection, editing restrictions, or print restrictions. Breaking these restrictions might require specific software or tools, which may or may not be legal depending on the circumstances and local laws.

## Find Manual Aps Scania :

[jesus always loves me](#)

**javascript + css + dom magic**

[jesuit challenge edmund campions debates at the tower of london in 1581](#)

**jeanne roses herbal body**

[jerusalem cities of the world no 4](#)

[jean fautrier 18981964](#)

[je sors ce soir](#)

**jersey murders**

[jean fautrier 100 f,r utstf,llning 612 199873 1999 moderna museets utstf,llningskatalog](#)

[jentis curse](#)

[jefferson vindicated fallacies omissions and contradictions in the hemings genealogical search](#)

[jazz etudes and exercises for classical guitar](#)

**jesus & you discovering the real christ**

[jeppesen far aim 2003](#)

[jefferson davis sandefer christian educa](#)

## Manual Aps Scania :

**the compassionate mind approach to beating overeating** - Sep 15 2023

web jan 1 2011 the compassionate mind approach to beating overeating using compassion focused therapy ken goss 3 76 29 ratings4 reviews a self help book that

**the compassionate mind approach to beating overeating** - Sep 03 2022

web compassionate mind oct 03 2023 leading depression authority paul gilbert presents the compassionate mind a breakthrough book integrating evolutionary psychology

**how to build a more compassionate mind psychology today** - May 31 2022

web jul 13 2023 compassionate mind approach to recovering from trauma the compassionate mind approach to reducing stress the compassionate mind

**the compassionate mind approach to beating overea dr** - Nov 24 2021



---

[the compassionate mind approach to beating overeating](#) - Jan 07 2023

web beating overeating using compassion focused therapy uses compassion focused therapy a groundbreaking new therapeutic approach to understand and work with

**the compassionate mind approach to beating overeating** - Apr 10 2023

web nov 20 2001 developing an inner compassion for one s relationship with food recognising what we need and what is helpful available in paperback this self help

[beating overeating overcoming](#) - Nov 05 2022

web the compassionate mind approach to beating overeating series editor paul gilbert compassion focused therapy ebook goss kenneth amazon co uk kindle store

**the compassionate mind approach to beating overea** - Jul 13 2023

web this self help book explores the problems created by having ready access to high fat foods designed to taste good it uses compassion focused therapy to understand and work

[the compassionate mind approach to beating](#) - Mar 09 2023

web the compassionate mind approach to beating overeating series editor paul gilbert compassion focused therapy 4 4 out of 5 stars 110 kindle edition 18 99 the

**the compassionate mind approach to beating overeating** - May 11 2023

web nov 20 2001 beating overeating using compassion focused therapy uses compassion focused therapy a groundbreaking new therapeutic approach to

*the compassionate mind approach to beating overeating using* - Jun 12 2023

web this book is for people who have tried diets and found that they don t work and will enable the reader to have a healthier and happier relationship with food and their body topics

**the compassionate mind approach to beating overea pdf** - Aug 02 2022

web oct 6 2021 use a soothing rhythm breathing practice to calm your nervous system try a loving kindness meditation to build compassion for yourself and others use a

*back to the future harnessing the power of primary health care to* - Jan 27 2022

web you could buy lead the compassionate mind approach to beating overea or get it as soon as feasible you could quickly download this the compassionate mind approach

[online library the compassionate mind approach to beating](#) - Mar 29 2022

web oct 24 2023 shifting mind sets created the foundation for change we ve significantly increased funding to primary health and changed the university curricula at all levels of

the compassionate mind approach to beating overeating - Oct 04 2022

web the compassionate mind approach to beating overea downloaded from tccgpc com by guest riddle julian compassion new harbinger publications

the compassionate mind approach to beating overeating - Dec 26 2021

**read free the compassionate mind approach to beating overea** - Jul 01 2022

web 2 2 the compassionate mind approach to beating overea 2022 02 25 with a powerful solution in the shape of mindfulness and compassion the compassionate mind

*the compassionate mind approach to beating overeating* - Aug 14 2023

web gilbert presents the compassionate mind a breakthrough book integrating evolutionary psychology new insights from neuroscience and mindfulness practice this combination

the compassionate mind approach to beating - Oct 16 2023

web jan 27 2011 this book is for people who have tried diets and found that they don t work and will enable the reader to have a healthier and happier relationship with food and their

*the compassionate mind approach to beating overea* - Apr 29 2022

web the compassionate mind approach to beating overea the compassionate mind approach to beating overea 2 downloaded from publicaties nwp nl on 2022 03 20 by

*the compassionate mind approach to beating overeating* - Dec 06 2022

web the compassionate mind approach to beating overeating series editor paul gilbert compassion focused therapy by goss kenneth and a great selection of related

**the compassionate mind approach to beating overeating** - Feb 08 2023

web jan 27 2011 as a result our relationship with eating can be complex multifaceted and problematic beating overeating using compassion focused therapy uses

the compassionate mind approach to beating overea - Feb 25 2022

web sep 11 2023 may 16th 2020 he was a student of professor paul gilbert author of bestsellers the passionate mind and overing depression and has worked within the

*ga c ographie pour l enseignement secondaire clas pdf* - Jul 11 2023

web may 27 2023 ga c ographie pour l enseignement secondaire clas 3 3 downloaded from uniport edu ng on may 27 2023 by guest journal officiel de la république française france 1923 revue semestrielle des publications mathematiques 1907

gazette de l instruction publique 1840 gazette spéciale de l instruction publique

**ga c ographie pour l enseignement secondaire clas** - Nov 03 2022

web oct 18 2023 ga c ographie pour l enseignement secondaire clas journal général de l instruction publique 1840 repère 2005 visible learning john hattie 2008 11 19 this unique and ground breaking book is the result of 15 years research and syntheses over 800 meta analyses on the influences on achievement in school aged students it

**ga c ographie pour l enseignement secondaire clas 2023** - Jun 10 2023

web less latency time to download any of our books when this one merely said the ga c ographie pour l enseignement secondaire clas is universally compatible when any devices to read the rise of professional women in france linda l clark 2000 12 21 this history of professional women in positions of administrative responsibility illuminates

**ga c ographie pour l enseignement secondaire clas** - Mar 27 2022

web 4 ga c ographie pour l enseignement secondaire clas 2023 06 22 cambridge university press the social and linguistic history of medieval sicily is both intriguing and ga c ographie pour l enseignement secondaire clas 5 5 phenomena covering such topics as migraine signs triggers and treatments

**ga c ographie pour l enseignement secondaire clas pdf** - Sep 13 2023

web aug 19 2023 ga c ographie pour l enseignement secondaire clas 1 1 downloaded from uniport edu ng on august 19 2023 by guest ga c ographie pour l enseignement secondaire clas this is likewise one of the factors by obtaining the soft documents of this ga c ographie pour l enseignement secondaire clas by online you might not require

**géographie pour l enseignement secondaire classe de** - Jul 31 2022

web jul 3 2023 géographie pour l enseignement secondaire classe de seconde géographie générale éléments de géographie physique humaine et économique par andré allix et a leyriz by andré allix a leyriz tests de rvision par matire et par examen l etudiant sites uclouvain be contributors museum international deepdyve

**in depth guide to gcse plus all singapore schools following it** - Mar 07 2023

web there are fewer course options in the new science gcse most students will either take the new combined science course worth two gcse or three separate gcse in biology chemistry and physics finally coursework and controlled assessment will disappear from most subjects apart from practical ones such as art dance and drama all new gcse

**ga c ographie pour l enseignement secondaire clas book** - Feb 06 2023

web in some cases you likewise realize not discover the declaration ga c ographie pour l enseignement secondaire clas that you are looking for it will totally squander the time however below below as capably as review ga c ographie pour l enseignement secondaire clas what you in imitation of to read gazette de l instruction publique 1840

**card grading singapore cardsandgrading singapore** - Apr 27 2022

web at cardsandgrading we believe that grading should be transparent and affordable every single collector should have the

same opportunity to grade and display their prized possessions our labels and cases firmly reflect this belief protecting your cards and being the most appealing on the market according to market surveys making for a top

*scoring an a in singapore a level general paper smiletutor* - Dec 04 2022

web jul 7 2018 singapore is not just well known for having a student population that is proficient in math and science they are also known for having some of the most prolific students capable of writing different topics with ease thanks to their general paper tests for a levels unfortunately writing a perfect essay is not easily achievable in one go

ga c ographie pour l enseignement secondaire clas pdf copy - Sep 01 2022

web ga c ographie pour l enseignement secondaire clas pdf upload mia p hayda 3 3 downloaded from live habitat com on october 20 2023 by mia p hayda emotional trip skillfully unraveling the hidden songs and profound affect resonating within each carefully constructed phrase within the depths of this poignant examination we will explore the

**ga c ographie pour l enseignement secondaire clas** - Feb 23 2022

web ga c ographie pour l enseignement secondaire clas annales de l extrême orient et de l afrique current list of medical literature semiconductors a standard dictionary of the english language migraine art index medicus bulletin of the public library of the city of boston bulletin de la socia c ta c neuchateloise de ga c ographie

**ga c ographie pour l enseignement secondaire clas** - Oct 14 2023

web ga c ographie pour l enseignement secondaire clas 1 ga c ographie pour l enseignement secondaire clas semiconductors eudised nouveau dictionnaire francois italien compose sur les dictionnaires de l academie de

**géographie pour l enseignement secondaire classe de** - Jun 29 2022

web sep 10 2023 géographie pour l enseignement secondaire classe de seconde géographie générale éléments de géographie physique humaine et économique par andré allix et a leyriz by andré allix a leyriz toponymie db0nus869y26v cloudfront net histoire des mathmatiques video les mathmatiques ou ide cadeau enseigner l histoire la

ga c ographie pour l enseignement secondaire clas pdf - Jan 05 2023

web ga c ographie pour l enseignement secondaire clas pdf 1 1 downloaded from wp2 storyblok com on january 20 2023 by guest ga c ographie pour l enseignement secondaire clas pdf as recognized adventure as capably as experience more or less lesson amusement as capably as union can be gotten by just checking out a ebook ga

*singapore system of academic grading tigercampus singapore* - Apr 08 2023

web however the majority of secondary schools use the singapore cambridge gce o level examination grading scheme the greatest possible grade under this grading system is a1 while the lowest possible grade is f9 the many types of grading in singapore secondary schools are listed below

*ga c ographie pour l enseignement secondaire clas pdf* - May 09 2023

web mar 20 2023 [g a c ographie pour l enseignement secondaire clas 2 3](#) downloaded from uniport edu ng on march 20 2023 by guest [dictionnaire de biographie française 1980 catalogue général de la librairie française second catalogue of the library of the peabody institute of the city of baltimore including the additions made since 1882 johns](#)

[g a c ographie pour l enseignement secondaire clas pdf](#) - Aug 12 2023

web [g a c ographie pour l enseignement secondaire clas](#) downloaded from demo1 woodropship com by guest turner lester current list of medical literature Рипол Классик based on four decades of research by professor andrew goudie this volume provides a state of the art synthesis of our understanding of desert geomorphology

**academic grading in singapore wikipedia** - Oct 02 2022

web [c average 60 64 d pass 55 59 d borderline pass 50 54 f fail 50 grade point average ad z 4 0 a 4 0 b 3 5 b 3 0 c 2 5 c 2 0 d 1 5 d 1 0 f 0 0 for entrance into local public funded university refer to the indicative grade profile for each university](#)

**géographie pour l enseignement secondaire classe de** - May 29 2022

web april 25th 2020 [pour la géographie culturelle c est l inverse en 1989 une cinquantaine de géographes se réclament de la géographie rendant secondaire les problèmes de l individu l afrique la vallée du rhin solidifiée dans la recherche et dans l enseignement et s autoreproduisant à l intérieur du système universitaire](#)

**genius lego inventions with bricks you already have** - Jan 13 2022

**genius lego inventions with bricks you already have 40 new** - Nov 22 2022

calling all tinkerers experimenters inventors unleash your creative powers with exciting lego innovations use science and engineering to transform your bin of lego bricks into

[genius lego inventions with bricks you already have](#) - May 29 2023

nov 13 2018 [genius lego inventions with bricks you already have 40 new robots vehicles contraptions gadgets games and other fun stem creations by sarah dees](#)

*genius lego inventions with bricks you already have target* - May 17 2022

genius lego inventions with bricks you already have 40 new robots vehicles contraptions gadgets games and other fun stem creations is written by sarah dees and

*genius lego inventions with bricks you already have* - Feb 11 2022

nov 13 2018 [genius lego inventions with bricks you already have 40 new robots vehicles contraptions gadgets games and other fun stem creations sarah dees on](#)

*genius lego inventions with bricks you already have 40 new* - Jan 25 2023

genius lego inventions with bricks you already have video demonstrations watch video demonstrations of the projects in

genius lego inventions with bricks you already have

**genius lego inventions with bricks you already have** - Jul 31 2023

nov 13 2018 genius lego inventions with bricks you already have 40 new robots vehicles contraptions gadgets games and other fun stem creations sarah dees 4 52 44

**genius lego inventions with bricks you already have video** - Oct 22 2022

oct 2 2018 this video is a sneak peek of a few of the 40 projects in the book genius lego inventions with bricks you already have the book is available to purchase on amazon

**genius lego inventions with bricks you already have 40 new** - Nov 10 2021

a sneak peek into genius lego inventions with bricks you - Jul 19 2022

nov 13 2018 genius lego inventions with bricks you already have ebook mid 40 new robots vehicles contraptions gadgets games and other fun stem creations by sarah

genius lego inventions with bricks you already have - Mar 27 2023

nov 13 2018 booktopia has genius lego inventions with bricks you already have 40 new robots vehicles contraptions gadgets games and other stem projects with real

**genius lego inventions with bricks you already have** - Aug 20 2022

nov 13 2018 read reviews and buy genius lego inventions with bricks you already have by sarah dees paperback at target choose from same day delivery drive up or order

**genius lego inventions with bricks you already have overdrive** - Apr 15 2022

genius lego inventions with bricks you already have is perfect for science lovers fans of sarahs previous books and really anyone who loves lego this book shares fun and

*genius lego inventions with bricks you already have* - Mar 15 2022

epic lego adventures with bricks you already have how to build brick airplanes the big book of amazing lego creations with bricks you already have lego gadgets birds from

**genius lego inventions with bricks you already have** - Apr 27 2023

calling all tinkerers experimenters amp inventors unleash your creative powers with exciting lego r innovations use science and engineering to transform your bin of lego r

genius lego inventions with bricks you already have 40 new - Sep 01 2023

use science and engineering to transform your bin of lego bricks into amazing movable toys machines and gadgets bestselling author sarah dees is back with an all new collection of

*genius lego inventions with bricks you already have 40 new* - Sep 20 2022

genius lego inventions with bricks you already have 40 new robots vehicles contraptions gadgets games and other stem projects with real moving parts dees

**genius lego inventions with bricks you already have booktopia** - Dec 24 2022

condition new genius lego inventions with bricks you already have 40 new robots vehicles contraptions gadgets games and other fun stem creations book seller

*genius lego inventions with bricks you already* - Jun 29 2023

nov 13 2018 use science and engineering to transform your bin of lego bricks into amazing movable toys machines and gadgets bestselling author sarah dees is back with an

**genius lego inventions with bricks you already have** - Feb 23 2023

genius lego inventions with bricks you already have 40 new robots vehicles contraptions gadgets games and other fun stem creations ebook dees sarah

**genius lego inventions with bricks you already have** - Oct 02 2023

genius lego inventions with bricks you already have 40 new robots vehicles contraptions gadgets games and other stem projects with real moving parts dees

**genius lego inventions with bricks you already ha 2022** - Dec 12 2021

**genius lego inventions with bricks you already have 40 new** - Jun 17 2022

use science and engineering to transform your bin of lego bricks into amazing movable toys machines and gadgets bestselling author sarah dees is back with an all new collection of