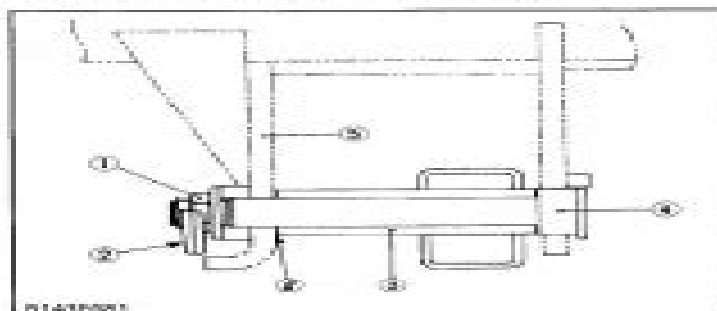


[2] REAR AXLE CHECKING AND ADJUSTING



Rear Axle End Play

1. Jack up the rear of frame.
2. Measure the clearance (A) between the rear axle (3) and rear axle support (5).
3. If the measurement exceeds the allowable limit, adjust the nut (1).

NOTE

- When fastening the center pin (4), first tighten the nut (1) until the rear axle can turn smoothly, then loosen the nut the nearest pin hole is reached, and finally put the spring lock pin in position.

Rear axle end play	Factory Spec.	0.1 to 0.4 mm
	Allowable Limit	0.5 mm

(1) Nut

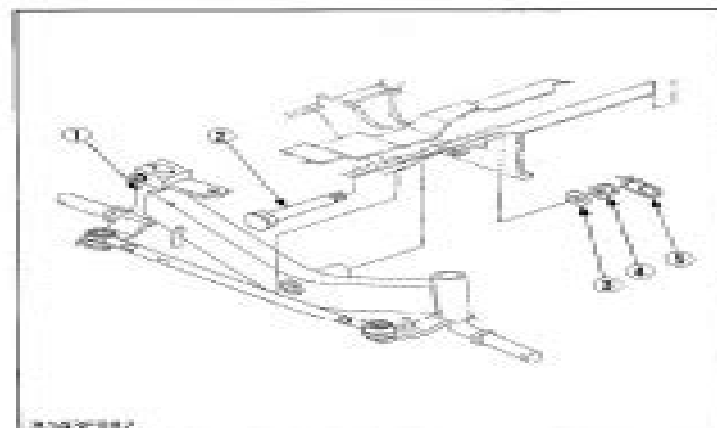
(2) Spring Lock Pin

(3) Rear Axle

(4) Center Pin

(5) Rear Axle Support

DISASSEMBLING AND ASSEMBLING



Separating Rear Axle

1. Support the frame with a jack.
2. Remove the spring lock pin (5), and unscrew the nut (4).
3. Tap out the center pin (2) reverse and separate the rear axle (1) from the frame.

(When reassembling)

NOTE

- When fasten the center pin (2), first tighten the nut (4) until the rear axle can turn smoothly, then loosen the nut until the nearest pin hole is reached, and finally put the spring lock pin (5) in position.
- After reassembling the rear axle, inject grease until it comes out.

(1) Rear Axle

(2) Center Pin

(3) Plain Washer

(4) Nut

(5) Spring Lock Pin

Kubota F1900 Workshop Manual

JA Banks



Kubota F1900 Workshop Manual:

Kubota F1900 Workshop Manual Book Review: Unveiling the Magic of Language

In a digital era where connections and knowledge reign supreme, the enchanting power of language has become more apparent than ever. Its power to stir emotions, provoke thought, and instigate transformation is really remarkable. This extraordinary book, aptly titled "**Kubota F1900 Workshop Manual**," written by a very acclaimed author, immerses readers in a captivating exploration of the significance of language and its profound effect on our existence. Throughout this critique, we shall delve into the book's central themes, evaluate its unique writing style, and assess its overall influence on its readership.

https://staging.conocer.cide.edu/data/book-search/Documents/Fci_Sbp_Manual.pdf

Table of Contents Kubota F1900 Workshop Manual

1. Understanding the eBook Kubota F1900 Workshop Manual
 - The Rise of Digital Reading Kubota F1900 Workshop Manual
 - Advantages of eBooks Over Traditional Books
2. Identifying Kubota F1900 Workshop Manual
 - Exploring Different Genres
 - Considering Fiction vs. Non-Fiction
 - Determining Your Reading Goals
3. Choosing the Right eBook Platform
 - Popular eBook Platforms
 - Features to Look for in an eBook Kubota F1900 Workshop Manual
 - User-Friendly Interface
4. Exploring eBook Recommendations from Kubota F1900 Workshop Manual
 - Personalized Recommendations
 - Kubota F1900 Workshop Manual User Reviews and Ratings
 - Kubota F1900 Workshop Manual and Bestseller Lists

5. Accessing Kubota F1900 Workshop Manual Free and Paid eBooks
 - Kubota F1900 Workshop Manual Public Domain eBooks
 - Kubota F1900 Workshop Manual eBook Subscription Services
 - Kubota F1900 Workshop Manual Budget-Friendly Options
6. Navigating Kubota F1900 Workshop Manual eBook Formats
 - ePub, PDF, MOBI, and More
 - Kubota F1900 Workshop Manual Compatibility with Devices
 - Kubota F1900 Workshop Manual Enhanced eBook Features
7. Enhancing Your Reading Experience
 - Adjustable Fonts and Text Sizes of Kubota F1900 Workshop Manual
 - Highlighting and Note-Taking Kubota F1900 Workshop Manual
 - Interactive Elements Kubota F1900 Workshop Manual
8. Staying Engaged with Kubota F1900 Workshop Manual
 - Joining Online Reading Communities
 - Participating in Virtual Book Clubs
 - Following Authors and Publishers Kubota F1900 Workshop Manual
9. Balancing eBooks and Physical Books Kubota F1900 Workshop Manual
 - Benefits of a Digital Library
 - Creating a Diverse Reading Collection Kubota F1900 Workshop Manual
10. Overcoming Reading Challenges
 - Dealing with Digital Eye Strain
 - Minimizing Distractions
 - Managing Screen Time
11. Cultivating a Reading Routine Kubota F1900 Workshop Manual
 - Setting Reading Goals Kubota F1900 Workshop Manual
 - Carving Out Dedicated Reading Time
12. Sourcing Reliable Information of Kubota F1900 Workshop Manual
 - Fact-Checking eBook Content of Kubota F1900 Workshop Manual
 - Distinguishing Credible Sources
13. Promoting Lifelong Learning

- Utilizing eBooks for Skill Development
 - Exploring Educational eBooks
14. Embracing eBook Trends
- Integration of Multimedia Elements
 - Interactive and Gamified eBooks

Kubota F1900 Workshop Manual Introduction

Kubota F1900 Workshop Manual Offers over 60,000 free eBooks, including many classics that are in the public domain. Open Library: Provides access to over 1 million free eBooks, including classic literature and contemporary works. Kubota F1900 Workshop Manual Offers a vast collection of books, some of which are available for free as PDF downloads, particularly older books in the public domain. Kubota F1900 Workshop Manual : This website hosts a vast collection of scientific articles, books, and textbooks. While it operates in a legal gray area due to copyright issues, its a popular resource for finding various publications. Internet Archive for Kubota F1900 Workshop Manual : Has an extensive collection of digital content, including books, articles, videos, and more. It has a massive library of free downloadable books. Free-eBooks Kubota F1900 Workshop Manual Offers a diverse range of free eBooks across various genres. Kubota F1900 Workshop Manual Focuses mainly on educational books, textbooks, and business books. It offers free PDF downloads for educational purposes. Kubota F1900 Workshop Manual Provides a large selection of free eBooks in different genres, which are available for download in various formats, including PDF. Finding specific Kubota F1900 Workshop Manual, especially related to Kubota F1900 Workshop Manual, might be challenging as theyre often artistic creations rather than practical blueprints. However, you can explore the following steps to search for or create your own Online Searches: Look for websites, forums, or blogs dedicated to Kubota F1900 Workshop Manual, Sometimes enthusiasts share their designs or concepts in PDF format. Books and Magazines Some Kubota F1900 Workshop Manual books or magazines might include. Look for these in online stores or libraries. Remember that while Kubota F1900 Workshop Manual, sharing copyrighted material without permission is not legal. Always ensure youre either creating your own or obtaining them from legitimate sources that allow sharing and downloading. Library Check if your local library offers eBook lending services. Many libraries have digital catalogs where you can borrow Kubota F1900 Workshop Manual eBooks for free, including popular titles. Online Retailers: Websites like Amazon, Google Books, or Apple Books often sell eBooks. Sometimes, authors or publishers offer promotions or free periods for certain books. Authors Website Occasionally, authors provide excerpts or short stories for free on their websites. While this might not be the Kubota F1900 Workshop Manual full book , it can give you a taste of the authors writing style. Subscription Services Platforms like Kindle Unlimited or Scribd offer subscription-based access to a wide range of Kubota F1900 Workshop Manual eBooks, including

some popular titles.

FAQs About Kubota F1900 Workshop Manual Books

How do I know which eBook platform is the best for me? Finding the best eBook platform depends on your reading preferences and device compatibility. Research different platforms, read user reviews, and explore their features before making a choice. Are free eBooks of good quality? Yes, many reputable platforms offer high-quality free eBooks, including classics and public domain works. However, make sure to verify the source to ensure the eBook credibility. Can I read eBooks without an eReader? Absolutely! Most eBook platforms offer web-based readers or mobile apps that allow you to read eBooks on your computer, tablet, or smartphone. How do I avoid digital eye strain while reading eBooks? To prevent digital eye strain, take regular breaks, adjust the font size and background color, and ensure proper lighting while reading eBooks. What the advantage of interactive eBooks? Interactive eBooks incorporate multimedia elements, quizzes, and activities, enhancing the reader engagement and providing a more immersive learning experience. Kubota F1900 Workshop Manual is one of the best book in our library for free trial. We provide copy of Kubota F1900 Workshop Manual in digital format, so the resources that you find are reliable. There are also many Ebooks of related with Kubota F1900 Workshop Manual. Where to download Kubota F1900 Workshop Manual online for free? Are you looking for Kubota F1900 Workshop Manual PDF? This is definitely going to save you time and cash in something you should think about.

Find Kubota F1900 Workshop Manual :

fci sbp manual

[fausses images de dieu](#)

[fated love english edition](#)

[*ferguson te2user guide*](#)

[fazil question paper 12exzim](#)

[fdot erosion and sediment control manual](#)

[federal tax pocket guide 2015](#)

fender bassman 150 manual

fear fearless 23 francine pascal

[*fence diagram using arcgis tutorial*](#)

~~feat compare and contrast 3rd grade passages~~

~~felicity bowen baile book 3~~

fender mustang floor user manual

[fault isolation manual a320](#)

[feingold diet shopping guide](#)

Kubota F1900 Workshop Manual :

Thread: What's the best way to download a Service Manual? May 29, 2023 — I went directly to the BRP Can Am site and downloaded one to my computer for free. ... SpyderLovers.com - Can-Am Spyder & Ryker Three Wheel ... Can-Am On-Road Vehicles Owner's Manual Every Can-Am vehicle is delivered with a paper copy of the vehicle's Owner's Manual. This documentation can also be found online for each and every model. Can-Am Spyder RT Operator's Manual View and Download Can-Am Spyder RT operator's manual online. Roadster. Spyder RT motorcycle pdf manual download. Free Downloadable Shop Manuals and Online Parts Manuals Jun 4, 2009 — If you would like to download a free SHOP MANUAL for some Canam models, go to this site > Shop Manual Download Site. If you have this shop ... Can-Am Roadster Motorcycle Service Manual Downloads can-am canam roadster motorcycle service repair workshop manual digital download PDF. 2010-2011 CanAm UNLOCKED Spyder RT-RTS-Service & ... 2010-2011 CanAm UNLOCKED Spyder RT-RTS-Service & Parts.pdf - Free ebook download as PDF File (.pdf), Text File (.txt) or read book online for free. Spyder 2020-2021 RT Series Service Manual This Service Manual covers all 2020-2021 RT Series models. This is a digital product - downloadable PDF file. File data: Format: PDF (not scanned, ... Service manual download Apr 7, 2017 — Is there a site to download free PDF service manuals? I am looking for a 2012 Outlander max 800 (G1). I did a search and all of the lonks are ... Rykers & Spydery Archives - Can-Am Manuals All of our Ryker & Spyder are full factory service shop manuals with hundreds of pages containing step-by-step instructions, complete wiring diagrams, and ... Can-Am Ryker & Spyder- Factory Shop & Maintenance Manuals Rykers & Spydery. The internet's BEST source for Factory OEM BRP workshop repair & maintenance manuals available for instant download! Goddesses & Angels: Awakening Your Inner... by Virtue, ... Featuring an easy-to-use guide that lists and describes the attributes of goddesses and angels, this magical journey visits a vast array of exotic locales ... Goddesses and Angels: Awakening Your Inner High- ... Goddesses and Angels: Awakening Your Inner High-priestess and Source-ress [GeoFossils] on Amazon.com. *FREE* shipping on qualifying offers. GODDESSES & ANGELS Awakening Your Inner High- ... In this true spiritual adventure story and reference book, Doreen Virtue writes about the enlightened beings who can unlock the magical gifts within you. In ... Awakening Your Inner High-Priestess and "Source-ress" Goddesses and Angels: Awakening Your Inner High-Priestess and "Source-ress". by Doreen Virtue. PaperBack. Available at our 828 Broadway location. Goddesses and

Angels - Awakening Your Inner High ... From the best selling author of Healing with the Angels and Angel Medicine comes a spiritual adventure story and reference book wrapped into one incredible ... Goddesses & Angels: Awakening Your Inner High- ... In this true spiritual adventure story and reference book, Doreen writes about the enlightened beings who can unlock the magical gifts within you. In Part I, ... Goddesses & Angels: Awakening Your Inner High-priestess and ... Featuring an easy-to-use guide that lists and describes the attributes of goddesses and angels, this magical journey visits a vast array of exotic locales ... Angels: Awakening Your Inner High-Priestess and "Source-ress" ; Format. Softcover ; Accurate description. 5.0 ; Reasonable shipping cost. 4.9. Goddesses and Angels: Awakening Your Inner High-Priestess ... In this true spiritual adventure story and reference book, Doreen Virtue writes about the enlightened beings who can unlock the magical gifts within you. In Part ... GODDESSES & ANGELS Awakening Your Inner High-Priestess ... GODDESSES & ANGELS Awakening Your Inner High-Priestess & "Source-ress" *NEW HC* ; Condition. Brand New ; Quantity. 1 sold. 3 available ; Item Number. 394326939293. Strategic Leadership: The Essential Skills Strategic leaders must be adept at finding common ground and achieving buy-in among stakeholders who have disparate views and agendas. This requires active ... Top 6 Leadership Skills for Strategic Management | CMOE What Makes a Good Manager? · 1. Learn To Delegate · 2. Care about Communication · 3. Exude Confidence · 4. Customize Your Approach · 5. Strategic Thinking and ... Strategic Management: Definition, Purpose and Example Mar 10, 2023 — Five steps of strategic management · 1. Identification · 2. Analysis · 3. Formation · 4. Execution · 5. Evaluation. What is strategic thinking? How do management see this ... May 14, 2017 — Key fundamentals include a deep understanding of your objectives, a clear vision of where you want to go, the ability to assess your current ... Strategic Management Skills - ReadyToManage Mar 8, 2013 — Strategic Management Skills · Big picture thinking · Listening skills · Commercial acumen · Planning and Organizing · Collaboration ability. What are the strategic skills ? Feb 21, 2023 — These skills involve the ability to think critically, analyze data, and make decisions based on a clear understanding of the business landscape, ... 6 Skills of Strategic Planning Skills Required and Utilized in Strategic Planning · Development and Marketing Skills · Research, Analytical and Critical Thinking Skills · Information Systems ... 6 Skills You Need to Become A Strategic Leader | TSI Jun 7, 2021 — 1. The Conversation Guide - Building space for deeper and focused conversations · 2. The Questioner - Framing appreciative questions · 3. The ... 4 Ways to Develop Your Strategic Thinking Skills | HBS Online Sep 10, 2020 — Strategic thinking skills are any skills that enable you to use critical thinking to solve complex problems and plan for the future. These ...