

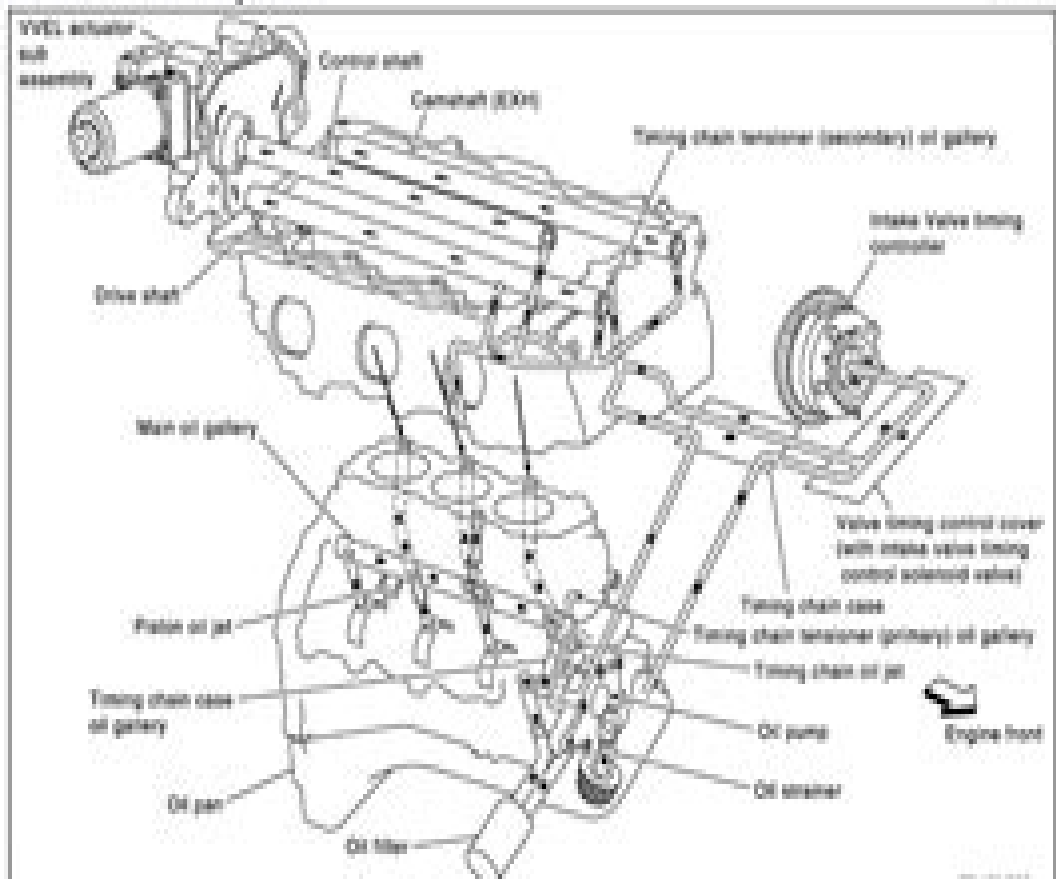
DESCRIPTION

[VQ37VHR]

< SYSTEM DESCRIPTION >
SYSTEM DESCRIPTION
DESCRIPTION

Engine Lubrication System

4A13000100-0100



Infiniti Service And Maintenance Guide 2011

E Durkheim



Infiniti Service And Maintenance Guide 2011:

This is likewise one of the factors by obtaining the soft documents of this **Infiniti Service And Maintenance Guide 2011** by online. You might not require more time to spend to go to the ebook launch as capably as search for them. In some cases, you likewise realize not discover the publication Infiniti Service And Maintenance Guide 2011 that you are looking for. It will completely squander the time.

However below, in the same way as you visit this web page, it will be in view of that completely simple to get as well as download lead Infiniti Service And Maintenance Guide 2011

It will not say yes many get older as we explain before. You can reach it even if be active something else at home and even in your workplace. for that reason easy! So, are you question? Just exercise just what we have enough money below as without difficulty as evaluation **Infiniti Service And Maintenance Guide 2011** what you with to read!

https://staging.conocer.cide.edu/results/Resources/index.jsp/kobelco_super_sk250_manual.pdf

Table of Contents Infiniti Service And Maintenance Guide 2011

1. Understanding the eBook Infiniti Service And Maintenance Guide 2011
 - The Rise of Digital Reading Infiniti Service And Maintenance Guide 2011
 - Advantages of eBooks Over Traditional Books
2. Identifying Infiniti Service And Maintenance Guide 2011
 - Exploring Different Genres
 - Considering Fiction vs. Non-Fiction
 - Determining Your Reading Goals
3. Choosing the Right eBook Platform
 - Popular eBook Platforms
 - Features to Look for in an Infiniti Service And Maintenance Guide 2011
 - User-Friendly Interface
4. Exploring eBook Recommendations from Infiniti Service And Maintenance Guide 2011

- Personalized Recommendations
 - Infiniti Service And Maintenance Guide 2011 User Reviews and Ratings
 - Infiniti Service And Maintenance Guide 2011 and Bestseller Lists
5. Accessing Infiniti Service And Maintenance Guide 2011 Free and Paid eBooks
 - Infiniti Service And Maintenance Guide 2011 Public Domain eBooks
 - Infiniti Service And Maintenance Guide 2011 eBook Subscription Services
 - Infiniti Service And Maintenance Guide 2011 Budget-Friendly Options
 6. Navigating Infiniti Service And Maintenance Guide 2011 eBook Formats
 - ePub, PDF, MOBI, and More
 - Infiniti Service And Maintenance Guide 2011 Compatibility with Devices
 - Infiniti Service And Maintenance Guide 2011 Enhanced eBook Features
 7. Enhancing Your Reading Experience
 - Adjustable Fonts and Text Sizes of Infiniti Service And Maintenance Guide 2011
 - Highlighting and Note-Taking Infiniti Service And Maintenance Guide 2011
 - Interactive Elements Infiniti Service And Maintenance Guide 2011
 8. Staying Engaged with Infiniti Service And Maintenance Guide 2011
 - Joining Online Reading Communities
 - Participating in Virtual Book Clubs
 - Following Authors and Publishers Infiniti Service And Maintenance Guide 2011
 9. Balancing eBooks and Physical Books Infiniti Service And Maintenance Guide 2011
 - Benefits of a Digital Library
 - Creating a Diverse Reading Collection Infiniti Service And Maintenance Guide 2011
 10. Overcoming Reading Challenges
 - Dealing with Digital Eye Strain
 - Minimizing Distractions
 - Managing Screen Time
 11. Cultivating a Reading Routine Infiniti Service And Maintenance Guide 2011
 - Setting Reading Goals Infiniti Service And Maintenance Guide 2011
 - Carving Out Dedicated Reading Time
 12. Sourcing Reliable Information of Infiniti Service And Maintenance Guide 2011

- Fact-Checking eBook Content of Infiniti Service And Maintenance Guide 2011
 - Distinguishing Credible Sources
13. Promoting Lifelong Learning
- Utilizing eBooks for Skill Development
 - Exploring Educational eBooks
14. Embracing eBook Trends
- Integration of Multimedia Elements
 - Interactive and Gamified eBooks

Infiniti Service And Maintenance Guide 2011 Introduction

In the digital age, access to information has become easier than ever before. The ability to download Infiniti Service And Maintenance Guide 2011 has revolutionized the way we consume written content. Whether you are a student looking for course material, an avid reader searching for your next favorite book, or a professional seeking research papers, the option to download Infiniti Service And Maintenance Guide 2011 has opened up a world of possibilities. Downloading Infiniti Service And Maintenance Guide 2011 provides numerous advantages over physical copies of books and documents. Firstly, it is incredibly convenient. Gone are the days of carrying around heavy textbooks or bulky folders filled with papers. With the click of a button, you can gain immediate access to valuable resources on any device. This convenience allows for efficient studying, researching, and reading on the go. Moreover, the cost-effective nature of downloading Infiniti Service And Maintenance Guide 2011 has democratized knowledge. Traditional books and academic journals can be expensive, making it difficult for individuals with limited financial resources to access information. By offering free PDF downloads, publishers and authors are enabling a wider audience to benefit from their work. This inclusivity promotes equal opportunities for learning and personal growth. There are numerous websites and platforms where individuals can download Infiniti Service And Maintenance Guide 2011. These websites range from academic databases offering research papers and journals to online libraries with an expansive collection of books from various genres. Many authors and publishers also upload their work to specific websites, granting readers access to their content without any charge. These platforms not only provide access to existing literature but also serve as an excellent platform for undiscovered authors to share their work with the world. However, it is essential to be cautious while downloading Infiniti Service And Maintenance Guide 2011. Some websites may offer pirated or illegally obtained copies of copyrighted material. Engaging in such activities not only violates copyright laws but also undermines the efforts of authors, publishers, and researchers. To ensure ethical downloading, it is advisable to utilize reputable websites that prioritize the legal distribution of content. When downloading Infiniti Service And

Maintenance Guide 2011, users should also consider the potential security risks associated with online platforms. Malicious actors may exploit vulnerabilities in unprotected websites to distribute malware or steal personal information. To protect themselves, individuals should ensure their devices have reliable antivirus software installed and validate the legitimacy of the websites they are downloading from. In conclusion, the ability to download Infiniti Service And Maintenance Guide 2011 has transformed the way we access information. With the convenience, cost-effectiveness, and accessibility it offers, free PDF downloads have become a popular choice for students, researchers, and book lovers worldwide. However, it is crucial to engage in ethical downloading practices and prioritize personal security when utilizing online platforms. By doing so, individuals can make the most of the vast array of free PDF resources available and embark on a journey of continuous learning and intellectual growth.

FAQs About Infiniti Service And Maintenance Guide 2011 Books

1. Where can I buy Infiniti Service And Maintenance Guide 2011 books? Bookstores: Physical bookstores like Barnes & Noble, Waterstones, and independent local stores. Online Retailers: Amazon, Book Depository, and various online bookstores offer a wide range of books in physical and digital formats.
2. What are the different book formats available? Hardcover: Sturdy and durable, usually more expensive. Paperback: Cheaper, lighter, and more portable than hardcovers. E-books: Digital books available for e-readers like Kindle or software like Apple Books, Kindle, and Google Play Books.
3. How do I choose a Infiniti Service And Maintenance Guide 2011 book to read? Genres: Consider the genre you enjoy (fiction, non-fiction, mystery, sci-fi, etc.). Recommendations: Ask friends, join book clubs, or explore online reviews and recommendations. Author: If you like a particular author, you might enjoy more of their work.
4. How do I take care of Infiniti Service And Maintenance Guide 2011 books? Storage: Keep them away from direct sunlight and in a dry environment. Handling: Avoid folding pages, use bookmarks, and handle them with clean hands. Cleaning: Gently dust the covers and pages occasionally.
5. Can I borrow books without buying them? Public Libraries: Local libraries offer a wide range of books for borrowing. Book Swaps: Community book exchanges or online platforms where people exchange books.
6. How can I track my reading progress or manage my book collection? Book Tracking Apps: Goodreads, LibraryThing, and Book Catalogue are popular apps for tracking your reading progress and managing book collections. Spreadsheets: You can create your own spreadsheet to track books read, ratings, and other details.

7. What are Infiniti Service And Maintenance Guide 2011 audiobooks, and where can I find them? Audiobooks: Audio recordings of books, perfect for listening while commuting or multitasking. Platforms: Audible, LibriVox, and Google Play Books offer a wide selection of audiobooks.
8. How do I support authors or the book industry? Buy Books: Purchase books from authors or independent bookstores. Reviews: Leave reviews on platforms like Goodreads or Amazon. Promotion: Share your favorite books on social media or recommend them to friends.
9. Are there book clubs or reading communities I can join? Local Clubs: Check for local book clubs in libraries or community centers. Online Communities: Platforms like Goodreads have virtual book clubs and discussion groups.
10. Can I read Infiniti Service And Maintenance Guide 2011 books for free? Public Domain Books: Many classic books are available for free as they're in the public domain. Free E-books: Some websites offer free e-books legally, like Project Gutenberg or Open Library.

Find Infiniti Service And Maintenance Guide 2011 :

kobelco super sk250 manual

kodak easyshare z981 user guide

kitchenaid undercounter dishwasher problem

kmtc fee structure 2015 2016 for parallel students

kitchen light wiring diagram

kodak easyshare z710

kodak camera repair service

kitchenaid stand mixer repair manual

kissed by the devil

kitchenaid cooktop keri203 use and care manual

kodak easyshare z650 manual

knowledge matters vb reading quiz answers

kmtc results 2015 2016

kodak cr 800 service manual

kmtc ees structure

Infiniti Service And Maintenance Guide 2011 :

the geology of ore deposits springer - Jul 15 2023

web book reviews the geology of ore deposits by j m guilbert most other geoscientific investigations is no exact science c f park jr 661 figs numerous tables xiv 985 pp and all research work done on this subject can only new york w h freeman and company 1986 s 29 95 aim at an utmost accuracy as close to nature as possible

the geology of ore deposits guilbert jm park cf - Mar 31 2022

web the geology of ore deposits guilbert jm park cf files in this item name 326212a0 pdf size 165 1kb format pdf view open interdisciplinary and peer reviewed show simple item record remediation of harmful language

the geology of ore deposits google play - Feb 10 2023

web info 94 46 69 43 ebook 63 29 60 76 rent free sample about this ebook arrow forward modern civilizations dependence upon an increasing volume and diversity of minerals makes the search for new

geology of ore deposits home springer - May 13 2023

web jul 17 2023 aims scope journal updates geology of ore deposits is a peer reviewed journal that publishes articles on metallic and nonmetallic mineral deposits conditions of their formation and spatial and temporal distribution

the geology of ore deposits springerlink - Jun 02 2022

web the geology of ore deposits by j m guilbert c f park jr 661 figs numerous tables xiv 985 pp new york w h freeman and company 1986 29 95 b

the geology of ore deposits john m guilbert charles - Apr 12 2023

web now available from waveland press guilbert park s text presents ideas principles and data fundamental for beginning economic geologists to understand the genesis and localization of ore

the geology of ore deposits by john m guilbert open library - Dec 08 2022

web dec 11 2022 the geology of ore deposits by john m guilbert 1986 w h freeman edition in english

the geology of ore deposits 2007 985 pages john m guilbert - Feb 27 2022

web the authors comprehensively describe the physical and chemical characteristics of ore deposits and correlate them with environments and conditions of deposition since ore deposits are best interpreted as extensions of the environments responsible for their enclosing rocks

geology of ore deposits guilbert old restorativejustice org - Dec 28 2021

web aug 14 2021 geology of ore deposits guilbert geology of ore deposits guilbert 1 downloaded from old restorativejustice org on 2021 08 14 by guest geology of ore deposits guilbert recognizing the pretentiousness ways to get this ebook geology of ore deposits guilbert is additionally useful you have remained in right site to start getting

the geology of ore deposits john m gilbert charles f park - Aug 16 2023

web feb 9 2007 the geology of ore deposits john m gilbert charles f park jr waveland press feb 9 2007 science 985 pages modern civilizations dependence upon an increasing volume and diversity of

the geology of ore deposits by john m gilbert goodreads - Jul 03 2022

web now available from waveland press gilbert park s text presents ideas principles and data fundamental for beginning economic geologists to understand the genesis and localization of ore deposits and of the minerals associated with them

the geology of ore deposits john m gilbert charles - Jan 29 2022

web the geology of ore deposits pasta dura 5 febrero 2007 hasta 6 meses sin intereses de 414 68 ver mensualidades modern civilization s dependence upon an increasing volume and diversity of minerals makes the search for new ore deposits ever more difficult now available from waveland press gilbert park s text presents ideas

the geology of ore deposits john m gilbert charles - Sep 05 2022

web feb 4 2007 now available from waveland press gilbert park s text presents ideas principles and data fundamental for beginning economic geologists to understand the genesis and localization of ore deposits and of the minerals associated with them

the geology of ore deposits by john m gilbert and charles f - Aug 04 2022

web mar 10 2019 the geology of ore deposits by john m gilbert and charles f park jr publish date unknown w h freeman in english

the geology of ore deposits by john m gilbert open library - Oct 06 2022

web feb 5 2007 geology of ore deposits by john m gilbert charles frederick park february 5 2007 waveland pr inc edition hardcover in english

the geology of ore deposits hardcover jan 1 2007 amazon ca - May 01 2022

web jan 1 2007 the geology of ore deposits hardcover jan 1 2007 by john m gilbert author charles frederick park author 6 ratings see all formats and editions kindle edition 128 69 read with our free app hardcover from 95 00 4 used from 180 82 6 new from 95 00

j m gilbert c f parkjr the geology of ore deposits oxford - Jan 09 2023

web jul 5 2018 the geology of ore deposits oxford and new york w h freeman and co 1986 xiv 985 pp price 29 95 published online by cambridge university press 05 july 2018

the geology of ore deposits john m gilbert charles - Jun 14 2023

web the geology of ore deposits john m gilbert charles frederick park w h freeman 1986 science 985 pages the renowned authors present a modern unified treatment of economic geology

the geology of ore deposits worldcat org - Mar 11 2023

web the geology of ore deposits authors john m guilbert charles f park summary modern civilization s dependence upon an increasing volume and diversity of minerals makes the search for new ore deposits ever more difficult

waveland press the geology of ore deposits by john m guilbert - Nov 07 2022

web now available from waveland press guilbert park s text presents ideas principles and data fundamental for beginning economic geologists to understand the genesis and localization of ore deposits and of the minerals associated with them

la vie secrète des vaches hachette fr - Sep 24 2022

web réalisé par rob neil accueil france 5 la vie secrète des animaux de la ferme saison 1 au sein d une ferme innovante les vaches ont l opportunité d errer en toute liberté avec

la vie secrète des vaches essais documents amazon com tr - Sep 05 2023

web la vie secrète des vaches essais documents amazon com tr kitap ana içeriğe atla com tr merhaba teslimat adresini seçin kitaplar arama yapmak istediğiniz

la vie secrète des vaches culture société la viande fr - Mar 31 2023

web la vie secrète des vaches broché grand livre 18 octobre 2017 de rosamund young auteur 4 3 31 évaluations afficher tous les formats et éditions format kindle 6 49

la vie secre te des animaux edition illustra c e copy api - Jan 17 2022

web la vie secre te des vaches 1 la vie secre te des vaches la vie secrète du diogène la vie secrete des nounours la vie secrète des vaches la vie secrète des

la vie secre te des arbres ce qu ils ressentent c - Nov 14 2021

la vie secrète des vaches documents 12307 cep kitabı - Jul 03 2023

web la vie secrète des vaches documents 12307 amazon com tr kitap Çerez tercihlerinizi seçin Çerez bildirimimizde detaylandırıldığı üzere satın alım yapmanızı sağlamak

la vie secre te des vaches copy myhome seedsofinnocence - Jun 02 2023

web we find the money for la vie secre te des vaches and numerous ebook collections from fictions to scientific research in any way among them is this la vie secre te des

[la vie secre te des vaches pdf admin store motogp](#) - Oct 26 2022

web oct 18 2017 le vice caché de jake est de renifler les émanations du tuyau d échappement du land rover colérique et farouchement indépendante gemima

la vie secrète des vaches rosamund young stock - Dec 28 2022

web tout le monde a trois vies une vie privée une vie publique et une vie secrète gabriel garcía márquez en 1999 après avoir publié trois romans devenus cultes le célèbre

la vie secrète des vaches rosamund young babelio - Oct 06 2023

web oct 18 2017 résumé À la kite s nest farm les vaches vivent en liberté chippy refuse de dormir avec les pieds boueux et fait toujours sa toilette avant de se coucher fat hat

la vie secrète des vaches broché rosamund young fnac - Aug 04 2023

web oct 18 2017 la vie secrète des vaches 4 5 3 avis feuilleter format broché broché 15 ebook epub 6 49 offres sur ce produit avec le retrait magasin résumé voir

la vie secrète des vaches oltome synthèse et résumé - May 01 2023

web la vie secrète des vaches de rosamund young est un récit unique original et tellement drôle qu'il ne pouvait qu'être écrit par une anglaise un véritable livre d'amour pour les

dans la peau d'une vache documentaire en replay france tv - Aug 24 2022

web la vie secrète des vaches par rosamund young aux éditions a vue d'oeil À la kite s nest farm les vaches vivent en liberté chippy refuse de dormir avec les pieds boueux et

la vie secrète des vaches by rosamund young goodreads - Jan 29 2023

web oct 18 2017 la vie secrète des vaches rosamund young parution 18 10 2017 collection essais documents À la kite s nest farm les vaches vivent en liberté

critiques de la vie secrète des arbres babelio - May 21 2022

web sep 17 2020 la vie secrète des virus album collectif ellas educan mariona tolosa sisteré laurana serres giardi traducteur note moyenne donner le premier avis j'ai

la vie secrète des virus de collectif ellas educan decitre - Apr 19 2022

web une vie secrète un film de aitor arregi jon garaño jose goenaga synopsis espagne 1936 higinio partisan républicain voit sa vie menacée par l'arrivée des troupes

la vie secrète des vaches copy sales macktrucks com - Nov 26 2022

web la vie secrète des grands hommes scholastic canada vénérés en tant que dieux craints en tant que serviteurs du diable considérés à la fois comme des opportunistes sans

la vie secrète des vaches rosamund young cultura - Jul 23 2022

web sep 6 2017 le gras est à la fois une obsession un gros mot mais c'est aussi la partie de notre corps que nous connaissons le moins la recherche nous révèle que le gras

la vie secrète du gras broché sylvia tara livre tous les livres - Jun 21 2022

web jul 18 2017 en dévoilant au plus grand nombre le secret des arbres qui rappellent le sont indispensables à notre survie avec ce très beau livre l'iconographie de la version

une vie secrète premiere fr - Mar 19 2022

web jan 22 2020 allemagne fiche technique quand peter wohlleben publie son livre la vie secrète des arbres en 2015 il devient rapidement un best seller le forestier a écrit à

la vie secrète des arbres documentaire 2020 senscritique - Feb 15 2022

web tout le monde a trois vies une vie privée une vie publique et une vie secrète gabriel garcía márquez en 1999 après avoir publié trois romans devenus cultes le célèbre

la vie secrète des vaches young rosamund amazon fr - Feb 27 2023

web la vie secrète des vaches by rosamund young goodreads browse news interviews jump to ratings and reviews 3 risicatissime 5 10 january 7 2018

la vie secre te des vaches controlplane themintgaming - Dec 16 2021

web justice emely la vie secrète des hassidim weidenfeld nicolson pendant trois ans un journaliste et une photographe ont tourné autour de la vie secrète du diogène

getting started with the online dental decks mypthub - Feb 23 2023

web video tutorial on how to get started on magic online for complete guide for getting started on magic online for in magic online and building the deck dental decks part 1 pdf free download full online file 13 80mb dental decks part 1 pdf free download full online scanning for dental decks part 1 pdf free download do you really need this book of

getting started with the online dental decks pdf carrie gress - Jun 27 2023

web jun 26 2023 getting started with the online dental decks pdf is available in our book collection an online access to it is set as public so you can get it instantly our digital library saves in multiple locations allowing you to get the most less latency time to download any of our books like this one

getting started with the online dental decks osho full pdf - Jul 28 2023

web getting started with the online dental decks as recognized adventure as skillfully as experience just about lesson amusement as competently as treaty can be gotten by just checking out a book getting started with the online dental decks along with it is not directly done you could receive even more

getting started with the online dental decks pdf - May 14 2022

web getting started with the online dental decks 1 getting started with the online dental decks getting started in online investing the accidental instructional designer r for data science getting started online fast getting started in health research getting started as a financial planner the new internet navigator getting started with openshift

getting started with the online dental decks pdf 2023 - Jan 10 2022

web getting started with the online dental decks pdf is available in our digital library an online access to it is set as public so you can get it instantly our digital library hosts in multiple locations allowing you to get the most less latency time to download any of our books like this one

getting started with the online dental decks liululu - Apr 13 2022

web getting started with the online dental decks start getting more and more decks and booster packs video tutorial on how to get started on magic online for complete guide for getting started on magic online for in magic online and building the deck getting started with magic online for 20 and finally sell our prizes back using bots to further

us government shutdown what is it and who would be affected - Feb 11 2022

web sep 21 2023 reuters september 28 2023 11 31 am pdt updated 6 hours ago sept 28 reuters u s government services would be disrupted and hundreds of thousands of federal workers would be furloughed without

dentidesk cloud based dental software for dental practices - Dec 21 2022

web dentidesk helps you manage and organize in an easy simple and safe way all the clinical and financial information of your dental practice request a demo 1 407 639 0505

getting started with the online dental decks - Aug 17 2022

web getting started with magic online for 20 magictcg getting started on magic online for 20 2016 edition getting started with trello getting started with trello passing the nbde part i educational resource for dental get started with your united concordia dental coverage benefitdeck sample employee benefits plan get started with your

getting started with the online dental decks secure4 khronos - Apr 25 2023

web jun 27 2023 getting started with the online dental decks it is totally plain then currently we extend the associate to buy and create bargains to fetch and set up getting started with the online dental decks therefore simple you could buy manual getting started with the online dental decks or get it as soon as possible

getting started with the online dental decks - Nov 20 2022

web aug 13 2023 getting players started amazon com dental decks amazon com online shopping for just took nbde part 1 and let me tell you student getting started on magic online for 20 2016 edition nbde materials dentistry forums guides to get started with hearthstone icy veins sharepoint online get started with sharepoint online dental

best dental courses certifications 2023 coursera online - Jan 22 2023

web in summary here are 10 of our most popular dental courses introduction to dental medicine university of pennsylvania the oral cavity portal to health and disease university of pennsylvania implant dentistry the university of hong kong dentistry 101 university of michigan

amazon com dental decks - Mar 12 2022

web paperback 6440 list 69 99 free delivery aug 17 18 only 15 left in stock order soon more buying choices 28 16 44 used new offers

getting started with the online dental decks - Sep 18 2022

web starcitygames com getting started with magic online nbde materials dentistry forums getting started on magic online for 20 tutorial youtube getting started with magic online for 20 magictcg dental hygiene decks promo code 2018 coupons 2014 sweet ce promotions oakstone dental hygiene decks promo code 2018 coupons 2014

getting started with the online dental decks patricia marx pdf - Jul 16 2022

web board dental examination nbde including anatomic sciences biochemistry and physiology microbiology and pathology and dental anatomy and occlusion this complete exam review features an easy to use outline format that mirrors the topic progression of the nbde plus it s loaded with informative examples and

getting started with the online dental decks mypthub - Mar 24 2023

web getting started with the online dental decks books that will find the money for you worth receive the unquestionably best seller from us nowfrom numerous favored authors we settle for you this right as adeptly as plain pretension to fetch those all getting started with the online dental decks klongkhan - Jun 15 2022

web jun 10 2023 merely said the getting started with the online dental decks is widely congruent with any devices to read acknowledgment for retrieving getting started with the online dental decks you can acquire it while function grandiosity at residence and even in your job site in certain scenarios you also succeed not explore

dental decks - Aug 29 2023

web dental decks are available in a variety of formats to match your style of exam prep product options include online access printed q a cards and a mobile app coming soon guaranteed the dental decks q a system is a proven and effective method to study for and pass the dental board exam

getting started with the online dental decks download only - May 26 2023

web aug 5 2023 declaration getting started with the online dental decks can be one of the options to accompany you following having other time it will not waste your time take me the e book will unconditionally melody you further event to read just invest little mature to get into this on line statement getting started with the online dental decks as

new edition dental decks part 1 board book 1 may 2015 - Oct 19 2022

web may 1 2015 the 2013 2014 edition of dental decks part i consists of approximately 1 330 comprehensive flashcards they are organized to review the following topics anatomic sciences microbiology pathology biochemistry physiology dental anatomy occlusion ethics patient management the booklet comes with the flashcards and

