

Colour codes

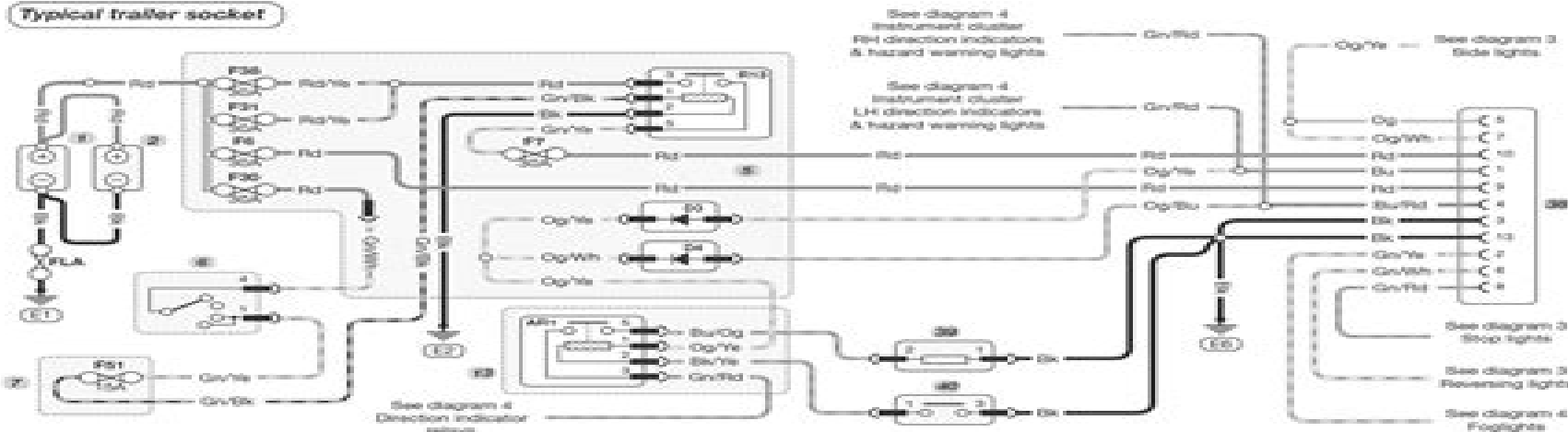
WH White	OG Orange
BU Blue	RD Red
GY Grey	PK Pink
YE Yellow	GN Green
BN Brown	VT Violet
BK Black	SR Silver
NA Natural	LG Light green

Key to items

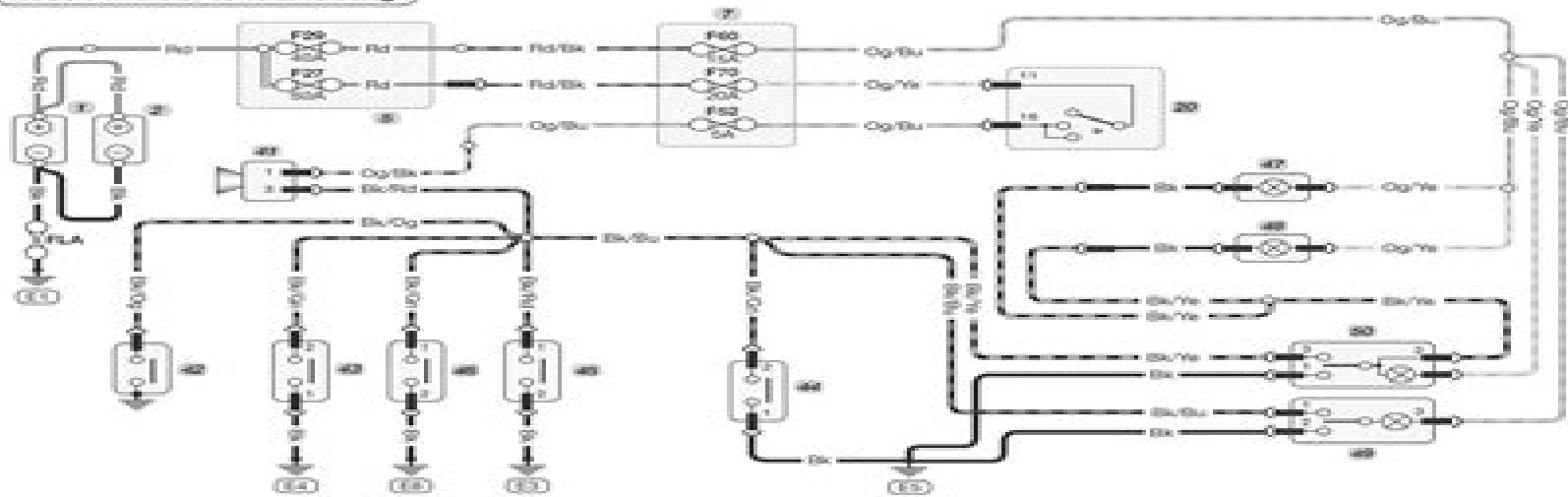
1 Battery no.1	13 Auxiliary fusebox	42 Rear courtesy light switch	50 Centre interior light
2 Battery no.2	AR1 = trailer tow relay	43 LH sliding door switch	
3 Engine fusebox	20 Light switch	44 RH sliding door switch	
D3 = trailer tow RH diode	a = side/headlight	45 Driver's door ajar switch	
D4 = trailer tow LH diode	38 Trailer socket	46 Passenger's door ajar switch	
R13 = ignition relay	39 Trailer resistor	47 LH rear door courtesy light	
6 Ignition switch	40 Trailer microswitch	48 RH rear door courtesy light	
7 Passenger fusebox	41 Lights on warning buzzer	49 Front interior light	

Diagram 5

Typical trailer socket



Typical interior lighting - models without central locking



Ford Transit Wiring Diagrams 1

CO Houle



Ford Transit Wiring Diagrams 1:

Thank you categorically much for downloading **Ford Transit Wiring Diagrams 1**. Most likely you have knowledge that, people have seen numerous times for their favorite books behind this Ford Transit Wiring Diagrams 1, but end up in harmful downloads.

Rather than enjoying a good ebook later a mug of coffee in the afternoon, instead they juggle afterward some harmful virus inside their computer. **Ford Transit Wiring Diagrams 1** is open in our digital library an online entrance to it is set as public thus you can download it instantly. Our digital library saves in multiple countries, allowing you to acquire the most less latency period to download any of our books gone this one. Merely said, the Ford Transit Wiring Diagrams 1 is universally compatible taking into account any devices to read.

https://staging.conocer.cide.edu/data/scholarship/Download_PDFS/Mixed_Up_Chameleon_Lesson_Plans.pdf

Table of Contents Ford Transit Wiring Diagrams 1

1. Understanding the eBook Ford Transit Wiring Diagrams 1
 - The Rise of Digital Reading Ford Transit Wiring Diagrams 1
 - Advantages of eBooks Over Traditional Books
2. Identifying Ford Transit Wiring Diagrams 1
 - Exploring Different Genres
 - Considering Fiction vs. Non-Fiction
 - Determining Your Reading Goals
3. Choosing the Right eBook Platform
 - Popular eBook Platforms
 - Features to Look for in an Ford Transit Wiring Diagrams 1
 - User-Friendly Interface
4. Exploring eBook Recommendations from Ford Transit Wiring Diagrams 1
 - Personalized Recommendations
 - Ford Transit Wiring Diagrams 1 User Reviews and Ratings

- Ford Transit Wiring Diagrams 1 and Bestseller Lists
- 5. Accessing Ford Transit Wiring Diagrams 1 Free and Paid eBooks
 - Ford Transit Wiring Diagrams 1 Public Domain eBooks
 - Ford Transit Wiring Diagrams 1 eBook Subscription Services
 - Ford Transit Wiring Diagrams 1 Budget-Friendly Options
- 6. Navigating Ford Transit Wiring Diagrams 1 eBook Formats
 - ePub, PDF, MOBI, and More
 - Ford Transit Wiring Diagrams 1 Compatibility with Devices
 - Ford Transit Wiring Diagrams 1 Enhanced eBook Features
- 7. Enhancing Your Reading Experience
 - Adjustable Fonts and Text Sizes of Ford Transit Wiring Diagrams 1
 - Highlighting and Note-Taking Ford Transit Wiring Diagrams 1
 - Interactive Elements Ford Transit Wiring Diagrams 1
- 8. Staying Engaged with Ford Transit Wiring Diagrams 1
 - Joining Online Reading Communities
 - Participating in Virtual Book Clubs
 - Following Authors and Publishers Ford Transit Wiring Diagrams 1
- 9. Balancing eBooks and Physical Books Ford Transit Wiring Diagrams 1
 - Benefits of a Digital Library
 - Creating a Diverse Reading Collection Ford Transit Wiring Diagrams 1
- 10. Overcoming Reading Challenges
 - Dealing with Digital Eye Strain
 - Minimizing Distractions
 - Managing Screen Time
- 11. Cultivating a Reading Routine Ford Transit Wiring Diagrams 1
 - Setting Reading Goals Ford Transit Wiring Diagrams 1
 - Carving Out Dedicated Reading Time
- 12. Sourcing Reliable Information of Ford Transit Wiring Diagrams 1
 - Fact-Checking eBook Content of Ford Transit Wiring Diagrams 1
 - Distinguishing Credible Sources

13. Promoting Lifelong Learning
 - Utilizing eBooks for Skill Development
 - Exploring Educational eBooks
14. Embracing eBook Trends
 - Integration of Multimedia Elements
 - Interactive and Gamified eBooks

Ford Transit Wiring Diagrams 1 Introduction

In this digital age, the convenience of accessing information at our fingertips has become a necessity. Whether its research papers, eBooks, or user manuals, PDF files have become the preferred format for sharing and reading documents. However, the cost associated with purchasing PDF files can sometimes be a barrier for many individuals and organizations. Thankfully, there are numerous websites and platforms that allow users to download free PDF files legally. In this article, we will explore some of the best platforms to download free PDFs. One of the most popular platforms to download free PDF files is Project Gutenberg. This online library offers over 60,000 free eBooks that are in the public domain. From classic literature to historical documents, Project Gutenberg provides a wide range of PDF files that can be downloaded and enjoyed on various devices. The website is user-friendly and allows users to search for specific titles or browse through different categories. Another reliable platform for downloading Ford Transit Wiring Diagrams 1 free PDF files is Open Library. With its vast collection of over 1 million eBooks, Open Library has something for every reader. The website offers a seamless experience by providing options to borrow or download PDF files. Users simply need to create a free account to access this treasure trove of knowledge. Open Library also allows users to contribute by uploading and sharing their own PDF files, making it a collaborative platform for book enthusiasts. For those interested in academic resources, there are websites dedicated to providing free PDFs of research papers and scientific articles. One such website is Academia.edu, which allows researchers and scholars to share their work with a global audience. Users can download PDF files of research papers, theses, and dissertations covering a wide range of subjects. Academia.edu also provides a platform for discussions and networking within the academic community. When it comes to downloading Ford Transit Wiring Diagrams 1 free PDF files of magazines, brochures, and catalogs, Issuu is a popular choice. This digital publishing platform hosts a vast collection of publications from around the world. Users can search for specific titles or explore various categories and genres. Issuu offers a seamless reading experience with its user-friendly interface and allows users to download PDF files for offline reading. Apart from dedicated platforms, search engines also play a crucial role in finding free PDF files. Google, for instance, has an advanced search feature that allows users to filter results by file type. By specifying the file type as "PDF," users can find websites that

offer free PDF downloads on a specific topic. While downloading Ford Transit Wiring Diagrams 1 free PDF files is convenient, its important to note that copyright laws must be respected. Always ensure that the PDF files you download are legally available for free. Many authors and publishers voluntarily provide free PDF versions of their work, but its essential to be cautious and verify the authenticity of the source before downloading Ford Transit Wiring Diagrams 1. In conclusion, the internet offers numerous platforms and websites that allow users to download free PDF files legally. Whether its classic literature, research papers, or magazines, there is something for everyone. The platforms mentioned in this article, such as Project Gutenberg, Open Library, Academia.edu, and Issuu, provide access to a vast collection of PDF files. However, users should always be cautious and verify the legality of the source before downloading Ford Transit Wiring Diagrams 1 any PDF files. With these platforms, the world of PDF downloads is just a click away.

FAQs About Ford Transit Wiring Diagrams 1 Books

How do I know which eBook platform is the best for me? Finding the best eBook platform depends on your reading preferences and device compatibility. Research different platforms, read user reviews, and explore their features before making a choice. Are free eBooks of good quality? Yes, many reputable platforms offer high-quality free eBooks, including classics and public domain works. However, make sure to verify the source to ensure the eBook credibility. Can I read eBooks without an eReader? Absolutely! Most eBook platforms offer webbased readers or mobile apps that allow you to read eBooks on your computer, tablet, or smartphone. How do I avoid digital eye strain while reading eBooks? To prevent digital eye strain, take regular breaks, adjust the font size and background color, and ensure proper lighting while reading eBooks. What the advantage of interactive eBooks? Interactive eBooks incorporate multimedia elements, quizzes, and activities, enhancing the reader engagement and providing a more immersive learning experience. Ford Transit Wiring Diagrams 1 is one of the best book in our library for free trial. We provide copy of Ford Transit Wiring Diagrams 1 in digital format, so the resources that you find are reliable. There are also many Ebooks of related with Ford Transit Wiring Diagrams 1. Where to download Ford Transit Wiring Diagrams 1 online for free? Are you looking for Ford Transit Wiring Diagrams 1 PDF? This is definitely going to save you time and cash in something you should think about. If you trying to find then search around for online. Without a doubt there are numerous these available and many of them have the freedom. However without doubt you receive whatever you purchase. An alternate way to get ideas is always to check another Ford Transit Wiring Diagrams 1. This method for see exactly what may be included and adopt these ideas to your book. This site will almost certainly help you save time and effort, money and stress. If you are looking for free books then you really should consider finding to assist you try this. Several of Ford Transit Wiring Diagrams 1 are for sale to free while some are payable. If you arent sure if the books

you would like to download works with for usage along with your computer, it is possible to download free trials. The free guides make it easy for someone to free access online library for download books to your device. You can get free download on free trial for lots of books categories. Our library is the biggest of these that have literally hundreds of thousands of different products categories represented. You will also see that there are specific sites catered to different product types or categories, brands or niches related with Ford Transit Wiring Diagrams 1. So depending on what exactly you are searching, you will be able to choose e books to suit your own need. Need to access completely for Campbell Biology Seventh Edition book? Access Ebook without any digging. And by having access to our ebook online or by storing it on your computer, you have convenient answers with Ford Transit Wiring Diagrams 1 To get started finding Ford Transit Wiring Diagrams 1, you are right to find our website which has a comprehensive collection of books online. Our library is the biggest of these that have literally hundreds of thousands of different products represented. You will also see that there are specific sites catered to different categories or niches related with Ford Transit Wiring Diagrams 1 So depending on what exactly you are searching, you will be able to choose ebook to suit your own need. Thank you for reading Ford Transit Wiring Diagrams 1. Maybe you have knowledge that, people have search numerous times for their favorite readings like this Ford Transit Wiring Diagrams 1, but end up in harmful downloads. Rather than reading a good book with a cup of coffee in the afternoon, instead they juggled with some harmful bugs inside their laptop. Ford Transit Wiring Diagrams 1 is available in our book collection an online access to it is set as public so you can download it instantly. Our digital library spans in multiple locations, allowing you to get the most less latency time to download any of our books like this one. Merely said, Ford Transit Wiring Diagrams 1 is universally compatible with any devices to read.

Find Ford Transit Wiring Diagrams 1 :

[mixed up chameleon lesson plans](#)

[modern biology chapter 3chapter review answers](#)

[mn driver manual audio](#)

[modern biology answer key for cellular respiration](#)

[mixed review chapters 7 resource book for geometry](#)

[mlb showdown score sheet](#)

[modern biology 39 community ecology answers](#)

model 1024 genie pro manual

modeling and analysis of dynamic systems

[modern biology fundamentals of genetics vocabulary review](#)

mocha sponge cake recipe

mixed type practice for predicting reactions answers

mobilisations rurales en meacutediterraneacuttee

model answer paper of msbte 6th semester summer 2012

mobile virgin customer service

Ford Transit Wiring Diagrams 1 :

mala supruga jakovljevic mir jam milica amazon de books - Nov 24 2022

web mir jam pise nezno sentimentalno i uzbudljivo njeni romani koje karakterisu izvanredna fabula i zaplet mnogo su uticali na citalacku publiku izmedju dva rata svet se promenio ljubav se vodi na drugaciji nacin ali mir jam nas i danas zabavlja kao nekad

mala supruga ebook by milica jakovljevic mir jam rakuten kobo - Sep 22 2022

web u središtu romana mala supruga jeste naivna i prostodušna mlada žena sa sela miraždžika neiskvarenog srca njeni problemi i zaplet ove povesti počinju kada se uda za lekara iz grada koji u taj brak ulazi iz računa ne prekidajući vezu s

mala supruga by milica jakovljevic mir jam alibris - May 19 2022

web mir jam pise nezno sentimentalno i uzbudljivo njeni romani koje karakterisu izvanredna fabula i zaplet mnogo su uticali na citalacku publiku izmedju dva rata svet se promenio ljubav se vodi na drugaciji nacin ali mir jam nas i danas zabavlja kao nekad

mala supruga by milica jakovljevic mir jam alibris - Jun 19 2022

web buy mala supruga by milica jakovljevic mir jam online at alibris we have new and used copies available in 3 editions starting at 11 19 shop now

mala supruga milica jakovljevic mir jam knjižare vulkan - Aug 02 2023

web isbn 9788607019014 autor milica jakovljevic mir jam izdavač prosveta u središtu ovog romana je naivna i prostodušna mlada žena sa sela mirazdžijka neiskvarenog srca njeni problemi i zaplet ove povesti počinju udajom za lekara iz grada koji u brak ulazi iz računa ne prekidajući vezu sa dugogodišnjom ljubavnicom

mala supruga a book by milica jakovljevic mir jam bookshop - Aug 22 2022

web mar 10 2023 roman mala supruga jedan je od poznatijih u bogatom knjizevnom opusu milice jakovljevic pored osnovne teme ljubavnog trougla ovaj roman donosi i realistan prikaz drustvenih prilika u srbiji pocetkom drugog svetskog rata kako u gradovima tako i u seoskim sredinama

mala supruga by milica jakovljevic mir jam ebook scribd - Sep 03 2023

web u središtu romana mala supruga jeste naivna i prostodušna mlada žena sa sela miraždžika neiskvarenog srca njeni problemi i zaplet ove povesti počinju kada se uda za lekara iz grada koji u taj brak ulazi iz računa ne prekidajući vezu s *mala supruga by milica jakovljević mir jam goodreads* - Oct 04 2023

web jan 1 2010 306 ratings4 reviews mir jam piše nežno sentimentalno i uzbudljivo njeni romani koje karakterišu izvanredna fabula i zaplet mnogo su uticali na čitalačku publiku između dva rata svet se promenio ljubav se vodi na drugačiji način ali mir jam nas i danas zabavlja kao nekad

mala supruga milica jakovljevi mir jam google books - Oct 24 2022

web lulu com dec 5 2019 352 pages mir jam piše nežno sentimentalno i uzbudljivo njeni romani koje karakterisu izvanredna fabula i zaplet mnogo su uticali na čitalačku publiku između dva

download mala supruga by milica jakovljević mir jam zoboko com - Jul 21 2022

web may 3 2018 summary mir jam piše nežno sentimentalno i uzbudljivo njeni romani koje karakterišu izvanredna fabula i zaplet mnogo su uticali na čitalačku publiku između dva rata svet se promenio ljubav se vodi na drugačiji način ali

mala supruga serbian edition jakovljevic milica mir jam - Apr 29 2023

web mar 10 2023 milica jakovljevic 1887 1952 bila je srpska novinarka i knjizevnica pisala je pod pseudonimom mir jam najčitanija je knjizevnica međuratnog perioda u kraljevini jugoslaviji godine 1991 povodom obelezavanja prva dva veka srpskog novinarstva uvrštena je među sto najznačajnijih novinara srbije

mala supruga serbian edition mir jam milica jakovljevic - Feb 13 2022

web may 19 2018 mala supruga serbian edition mir jam milica jakovljevic on amazon com free shipping on qualifying offers mala supruga serbian edition

mala supruga by milica jakovljevic mir jam ebook scribd - May 31 2023

web milica jakovljevic 1887 1952 bila je srpska novinarka i knjizevnica pisala je pod pseudonimom mir jam najčitanija je knjizevnica međuratnog perioda u kraljevini jugoslaviji godine 1991 povodom obelezavanja prva dva veka srpskog novinarstva uvrštena je među sto najznacajnijih novinara srbije

mala supruga by mir jam milica abebooks - Dec 26 2022

web mala supruga by milica jakovljevic mir jam and a great selection of related books art and collectibles available now at abebooks co uk

mala supruga by milica jakovljević mir jam overdrive - Feb 25 2023

web oct 14 2013 njeni romani koje karakterišu izvanredna fabula i zaplet mnogo su uticali na čitalačku publiku između dva rata svet se promenio ljubav se vodi na drugačiji način ali mir jam nas i danas zabavlja kao nekad u središtu romana mala supruga jeste naivna i prostodušna mlada žena sa sela miraždžika neiskvarenog srca

Čitajte mala supruga milica jakovljević mir jam na bookmateu - Apr 17 2022

web u središtu romana mala supruga jeste naivna i prostodušna mlada žena sa sela miraždžika neiskvarenog srca njeni problemi i zaplet ove povesti počinju kada se uda za lekara iz grada koji u taj brak ulazi iz računa ne prekidajući vezu s

mala supruga serbian edition jakovljevic mir jam milica - Jul 01 2023

web aug 6 2016 njeni romani koje karakterisu izvanredna fabula i zaplet mnogo su uticali na citalacku publiku izmedju dva rata svet se promenio ljubav se vodi na drugaciji nacin ali mir jam nas i danas zabavlja kao nekad u sredistu romana mala supruga jeste naivna i prostodusna mlada zena sa sela mirazdzika neiskvarenog srca

mala supruga milica jakovljevic mir jam google books - Mar 29 2023

web njeni romani koje karakterisu izvanredna fabula i zaplet mnogo su uticali na citalacku publiku izmedju dva rata svet se promenio ljubav se vodi na drugaciji nacin ali mir jam nas i danas zabavlja kao nekad u sredistu romana mala supruga jeste naivna i prostodusna mlada zena sa sela mirazdzika neiskvarenog srca

mala supruga tv series 2022 imdb - Mar 17 2022

web mala supruga with anika milicevic milica burazer srna djenadic tamara radovanovic the series is based on a popular period novel mala supruga by mir jam and it s set in modern times

mala supruga by milica jakovljevic mir jam barnes noble - Jan 27 2023

web mar 10 2023 roman mala supruga jedan je od poznatijih u bogatom knjizevnom opusu milice jakovljevic pored osnovne teme ljubavnog trougla ovaj roman donosi

follow me moon by marie clay heinemann - Jul 07 2022

web copymasters for an observation survey of early literacy achievement fourth edition and literacy lessons designed for individuals second edition marie clay grade s k 2nd

9780325002354 follow me moon clay marie m clay marie - Jan 13 2023

web abebooks com follow me moon 9780325002354 by clay marie m clay marie and a great selection of similar new used and collectible books available now at great prices 9780325002354 follow me moon clay marie m clay marie 0325002355

abebooks

0325002355 follow me moon by clay marie m abebooks - Apr 04 2022

web follow me moon by clay marie m clay marie and a great selection of related books art and collectibles available now at abebooks com

follow me moon amazon co uk clay marie m - Feb 14 2023

web buy follow me moon 1 by clay marie m isbn 9780325002354 from amazon s book store everyday low prices and free delivery on eligible orders

follow me moon by marie m clay open library - Dec 12 2022

web feb 24 2000 created by an anonymous user imported from amazon com record follow me moon by marie m clay

february 24 2000 heinemann edition paperback in english 1 edition

follow me moon a book by marie clay bookshop - Aug 08 2022

web new full color alternative to sand and stones this concepts about print test can be used with the new entrant or nonreader enabling the child to point to certain features as the examiner reads the book an observation survey presents the theoretical background administration details and scoring interpretation of the tests

amazon com follow me moon 9780325002354 clay marie m clay marie - Oct 22 2023

web feb 24 2000 about the author marie clay frsnz fnzps fnzei hon emeritus professor taught in primary schools and then at the university of auckland where for the next 30 years she introduced educational psychologists

follow me moon by marie m clay goodreads - Jun 18 2023

web part of the highly successful early intervention programme reading recovery for children experiencing reading and writing difficulties this colourful reader has an extensive range of test materials to support the concepts about print

follow me moon by clay marie m author 2000 - May 05 2022

web follow me moon by clay marie m author 2000 paperback clay marie m follow me moon by clay marie m author 2000 paperback skip to main content com au delivering to sydney 1171 sign in to update books select the department

follow me moon clay marie m amazon com au books - Mar 15 2023

web select the department you want to search in

follow me moon concepts about print tests paperback - Sep 09 2022

web follow me moon concepts about print tests clay marie m amazon ca books

follow me moon clay marie m amazon com au books - May 17 2023

web marie clay frsnz fnzps fnzei hon emeritus professor taught in primary schools and then at the university of auckland where for the next 30 years she introduced educational psychologists to ways of preventing psychological problems

concepts about print follow me moon essential resources - Jun 06 2022

web author book physical a good old fashioned printed book ideal if you like the feeling of holding it in your hand as you flip through the pages we will ship your books from our warehouse within 1 3 days concepts about print follow me moon by marie clay 9780868632964 essential resources

follow me moon by marie m clay 24 feb 2000 paperback - Nov 11 2022

web feb 24 2000 marie clay frsnz fnzps fnzei hon emeritus professor taught in primary schools and then at the university of auckland where for the next 30 years she introduced educational psychologists to ways of preventing psychological problems

follow me moon marie m clay google books - Aug 20 2023

web follow me moon marie m clayno preview available 2000 about the author 2015 marie m clay started off her career as a teacher before going on to work at the new zealand ministry

follow me moon edition 1 by marie clay barnes noble - Apr 16 2023

web feb 24 2000 marie clay frsnz fnzpss fnzei hon emeritus professor taught in primary schools and then at the university of auckland where for the next 30 years she introduced educational psychologists to ways of preventing psychological problems

follow me moon by marie m clay goodreads - Sep 21 2023

web feb 24 2000 marie m clay 3 92 24 ratings7 reviews new full color alternative to sand and stones this concepts about print test can be used with the new entrant or nonreader enabling the child to point to certain features as the examiner reads the book

follow me moon marie m clay google books - Jul 19 2023

web about the author 2000 marie clay frsnz fnzpss fnzei hon emeritus professor taught in primary schools and then at the university of auckland where for the next 30 years she introduced

follow me moon by clay marie m clay marie new paperback - Mar 03 2022

web abebooks com follow me moon special order direct from the distributor follow me moon by clay marie m clay marie new paperback 2000 1st edition russell books skip to main content

marie clay concepts about print follow me moon - Oct 10 2022

web buy concepts about print follow me moon with rewards schools earn scholastic rewards when parents or staff order from us if you work at a school you can use rewards to buy books and resources for your classroom or library

pmba 6322 midterm exam questions answer 10 words or less 1 - Mar 03 2023

web pmba 6322 real estate principles midterm exam student answers of 10 words or less for each question a contract for sale of real estate usually calls for the seller to provide

ca principles midterm 100 questions with answers - May 25 2022

web 75 16 california principles midterm exam 1 which of the following sources would be the least satisfactory for obtaining a legal description of a parcel of real property a

mgmt 2035 real estate principles harvard university - Sep 09 2023

web access study documents get answers to your study questions and connect with real tutors for mgmt 2035 real estate principles at harvard university

real estate principles midterm answers process ogleschool - Mar 23 2022

web 2 real estate principles midterm answers 2021 01 29 instructor s manual provides a clear outline of how to begin using

this text and is especially helpful to adjuncts who

real estate principles midterm flashcards quizlet - Jul 07 2023

web terms in this set 353 when viewed as a tangible asset real estate can be defined as the land and its permanent improvements improvements on the land include a fences b

study guide for real estate principles brainscape - Apr 04 2023

web sample decks kap real estate chapter 1 basic real estate concepts kap real estate chapter 2 property ownership and interest kap real estate chapter 3 encumbrances

real estate principles midterm flashcards quizlet - Oct 10 2023

web law civil law real estate principles midterm 5 0 1 review a license permitting the broker to sell lists of available rental property is known as click the card to flip a prls

principles of california real estate midterm correct stuvia - Jun 25 2022

web mar 4 2022 principles of california real estate midterm 1 which of the following sources would be the least satisfactory for obtaining a legal description of a parcel of real

real estate 100 questions for chapter understanding quizlet - Feb 02 2023

web real estate 100 questions for chapter understanding chapters 1 8 for midterm exam 1 members of the national association of real estate brokers are called what chapter 1

california real estate principles flashcards quizzes brainscape - Apr 23 2022

web sample decks real estate principles in california calre after reviewing questions show class study california real estate principles using smart web mobile

real estate principles flashcards and study sets quizlet - Jun 06 2023

web study sets learn real estate principles with free interactive flashcards choose from 5 000 different sets of real estate principles flashcards on quizlet

real estate principles i lee institute - Jan 01 2023

web real estate practice agency principles psi salesperson 14 brokers 13 person vue salesperson 18 brokers 18 the listing

definition of principal in real estate - Dec 20 2021

web find a real estate agent buy sell buy a home sell a home resources real estate advice real estate glossary real estate questions real estate social badges

am i legally required to pay off the remaining principal when i sell - Nov 18 2021

web nov 9 2023 a no you are not legally required to pay off the remaining mortgage principal when selling your home in california however the lender will require the

[real estate practice midterm proprofs quiz](#) - Sep 28 2022

web mar 21 2023 questions and answers 1 an option on real estate is which of the following a a deposit b a consideration c a contract d an endorsement correct

real estate principles midterm answers 2022 ams istanbul edu - Oct 30 2022

web study guide for real estate principles brainscape real estate principles flashcards and study sets quizlet california real estate principles 11th ed by walt huber

real estate principles flashcards chegg com - Aug 08 2023

web study real estate principles flashcards for free chegg prep has millions of flashcards to help students learn faster with an interactive card flipper and scoring to measure your

sample example 1 principles of california real estate - Sep 16 2021

web principles of california real estate midterm 1 which of the following sources would be the least satisfactory for obtaining a legal description of a parcel of real property a

[principles of real estate 1 practice exam flashcards quizlet](#) - May 05 2023

web principles of real estate 1 practice exam the demand for real estate is affected by which of the following a cost of labor b population c government controls d cost

midterm review topics docx real 101 principles - Jul 27 2022

web real 101 principles midterm review topics a career in real estate the dre license examination requirements real estate upload to study

[real estate principles midterm answers pdf diverreport](#) - Jan 21 2022

web 2019 08 28 2 2 real estate principles midterm answers getting the books real estate principles midterm answers now is not type of challenging means you could not

principles of practicing real estate chapter exam study com - Nov 30 2022

web principles of practicing real estate chapter exam free practice test instructions choose your answer to the question and click continue to see how you did then click

california real estate principles 11th ed by walt huber midterm - Aug 28 2022

web california real estate principles 11th ed by walt huber midterm b answers copyright march 2006 educational textbook company 1 c p 253 2 c p 265 3 b p 259 4 a

opinion a trump biden rematch is the election we need - Oct 18 2021

web 4 hours ago a trump biden rematch is the election we need nov 11 2023 7 00 a m et damon winter the new york times by carlos lozada opinion columnist and a co

real estate principles midterm answers copy marketspot uccs - Feb 19 2022

web 2 real estate principles midterm answers 2022 11 08 real estate principles chapter 12 california real estate principles chapter 3 ownership of real property california