

21213

4 Hours / 100 Marks

Seat No.

4	5	9	6	2	8	-	+
---	---	---	---	---	---	---	---

- Instructions :**
- (1) All Questions are *compulsory*.
 - (2) Illustrate your answers with neat sketches wherever necessary.
 - (3) Figures to the right indicate full marks.
 - (4) Assume suitable data, if necessary.
 - (5) Use of Non-Programmable Electronic Pocket Calculator is permissible.
 - (6) Mobile Phone, Pager and any other Electronic Communication devices are not permissible in Examination Hall.
 - (7) Use only H/2H grade pencil.

1. (a) A pictorial view of an object is shown in Fig. 1. Draw following views by using 1st Angle method of projection :
- | | | |
|--|---|---|
| | (1) Sectional F.V; section along A – A. | 5 |
| | (2) Left hand side view. | 5 |

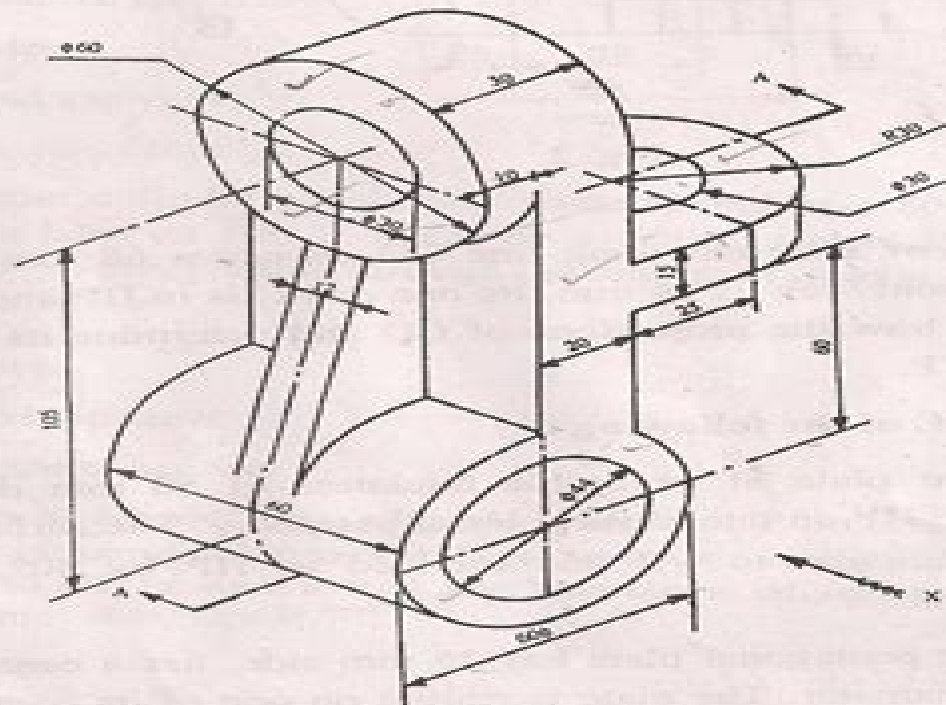


Fig. 1

Engineering Drawing G Scheme Sample Paper

Oswaal Editorial Board



Engineering Drawing G Scheme Sample Paper:

Recognizing the artifice ways to get this books **Engineering Drawing G Scheme Sample Paper** is additionally useful. You have remained in right site to begin getting this info. get the Engineering Drawing G Scheme Sample Paper join that we come up with the money for here and check out the link.

You could buy guide Engineering Drawing G Scheme Sample Paper or acquire it as soon as feasible. You could speedily download this Engineering Drawing G Scheme Sample Paper after getting deal. So, taking into consideration you require the ebook swiftly, you can straight acquire it. Its in view of that completely simple and thus fats, isnt it? You have to favor to in this ventilate

<https://staging.conocer.cide.edu/files/Resources/index.jsp/manual%20for%20funk%20pto.pdf>

Table of Contents Engineering Drawing G Scheme Sample Paper

1. Understanding the eBook Engineering Drawing G Scheme Sample Paper
 - The Rise of Digital Reading Engineering Drawing G Scheme Sample Paper
 - Advantages of eBooks Over Traditional Books
2. Identifying Engineering Drawing G Scheme Sample Paper
 - Exploring Different Genres
 - Considering Fiction vs. Non-Fiction
 - Determining Your Reading Goals
3. Choosing the Right eBook Platform
 - Popular eBook Platforms
 - Features to Look for in an Engineering Drawing G Scheme Sample Paper
 - User-Friendly Interface
4. Exploring eBook Recommendations from Engineering Drawing G Scheme Sample Paper
 - Personalized Recommendations
 - Engineering Drawing G Scheme Sample Paper User Reviews and Ratings
 - Engineering Drawing G Scheme Sample Paper and Bestseller Lists

5. Accessing Engineering Drawing G Scheme Sample Paper Free and Paid eBooks
 - Engineering Drawing G Scheme Sample Paper Public Domain eBooks
 - Engineering Drawing G Scheme Sample Paper eBook Subscription Services
 - Engineering Drawing G Scheme Sample Paper Budget-Friendly Options
6. Navigating Engineering Drawing G Scheme Sample Paper eBook Formats
 - ePub, PDF, MOBI, and More
 - Engineering Drawing G Scheme Sample Paper Compatibility with Devices
 - Engineering Drawing G Scheme Sample Paper Enhanced eBook Features
7. Enhancing Your Reading Experience
 - Adjustable Fonts and Text Sizes of Engineering Drawing G Scheme Sample Paper
 - Highlighting and Note-Taking Engineering Drawing G Scheme Sample Paper
 - Interactive Elements Engineering Drawing G Scheme Sample Paper
8. Staying Engaged with Engineering Drawing G Scheme Sample Paper
 - Joining Online Reading Communities
 - Participating in Virtual Book Clubs
 - Following Authors and Publishers Engineering Drawing G Scheme Sample Paper
9. Balancing eBooks and Physical Books Engineering Drawing G Scheme Sample Paper
 - Benefits of a Digital Library
 - Creating a Diverse Reading Collection Engineering Drawing G Scheme Sample Paper
10. Overcoming Reading Challenges
 - Dealing with Digital Eye Strain
 - Minimizing Distractions
 - Managing Screen Time
11. Cultivating a Reading Routine Engineering Drawing G Scheme Sample Paper
 - Setting Reading Goals Engineering Drawing G Scheme Sample Paper
 - Carving Out Dedicated Reading Time
12. Sourcing Reliable Information of Engineering Drawing G Scheme Sample Paper
 - Fact-Checking eBook Content of Engineering Drawing G Scheme Sample Paper
 - Distinguishing Credible Sources
13. Promoting Lifelong Learning

- Utilizing eBooks for Skill Development
 - Exploring Educational eBooks
14. Embracing eBook Trends
- Integration of Multimedia Elements
 - Interactive and Gamified eBooks

Engineering Drawing G Scheme Sample Paper Introduction

In today's digital age, the availability of Engineering Drawing G Scheme Sample Paper books and manuals for download has revolutionized the way we access information. Gone are the days of physically flipping through pages and carrying heavy textbooks or manuals. With just a few clicks, we can now access a wealth of knowledge from the comfort of our own homes or on the go. This article will explore the advantages of Engineering Drawing G Scheme Sample Paper books and manuals for download, along with some popular platforms that offer these resources. One of the significant advantages of Engineering Drawing G Scheme Sample Paper books and manuals for download is the cost-saving aspect. Traditional books and manuals can be costly, especially if you need to purchase several of them for educational or professional purposes. By accessing Engineering Drawing G Scheme Sample Paper versions, you eliminate the need to spend money on physical copies. This not only saves you money but also reduces the environmental impact associated with book production and transportation. Furthermore, Engineering Drawing G Scheme Sample Paper books and manuals for download are incredibly convenient. With just a computer or smartphone and an internet connection, you can access a vast library of resources on any subject imaginable. Whether you're a student looking for textbooks, a professional seeking industry-specific manuals, or someone interested in self-improvement, these digital resources provide an efficient and accessible means of acquiring knowledge. Moreover, PDF books and manuals offer a range of benefits compared to other digital formats. PDF files are designed to retain their formatting regardless of the device used to open them. This ensures that the content appears exactly as intended by the author, with no loss of formatting or missing graphics. Additionally, PDF files can be easily annotated, bookmarked, and searched for specific terms, making them highly practical for studying or referencing. When it comes to accessing Engineering Drawing G Scheme Sample Paper books and manuals, several platforms offer an extensive collection of resources. One such platform is Project Gutenberg, a nonprofit organization that provides over 60,000 free eBooks. These books are primarily in the public domain, meaning they can be freely distributed and downloaded. Project Gutenberg offers a wide range of classic literature, making it an excellent resource for literature enthusiasts. Another popular platform for Engineering Drawing G Scheme Sample Paper books and manuals is Open Library. Open Library is an initiative of the Internet Archive, a non-profit organization dedicated to digitizing cultural artifacts and making them accessible to the public.

Open Library hosts millions of books, including both public domain works and contemporary titles. It also allows users to borrow digital copies of certain books for a limited period, similar to a library lending system. Additionally, many universities and educational institutions have their own digital libraries that provide free access to PDF books and manuals. These libraries often offer academic texts, research papers, and technical manuals, making them invaluable resources for students and researchers. Some notable examples include MIT OpenCourseWare, which offers free access to course materials from the Massachusetts Institute of Technology, and the Digital Public Library of America, which provides a vast collection of digitized books and historical documents. In conclusion, Engineering Drawing G Scheme Sample Paper books and manuals for download have transformed the way we access information. They provide a cost-effective and convenient means of acquiring knowledge, offering the ability to access a vast library of resources at our fingertips. With platforms like Project Gutenberg, Open Library, and various digital libraries offered by educational institutions, we have access to an ever-expanding collection of books and manuals. Whether for educational, professional, or personal purposes, these digital resources serve as valuable tools for continuous learning and self-improvement. So why not take advantage of the vast world of Engineering Drawing G Scheme Sample Paper books and manuals for download and embark on your journey of knowledge?

FAQs About Engineering Drawing G Scheme Sample Paper Books

1. Where can I buy Engineering Drawing G Scheme Sample Paper books? Bookstores: Physical bookstores like Barnes & Noble, Waterstones, and independent local stores. Online Retailers: Amazon, Book Depository, and various online bookstores offer a wide range of books in physical and digital formats.
2. What are the different book formats available? Hardcover: Sturdy and durable, usually more expensive. Paperback: Cheaper, lighter, and more portable than hardcovers. E-books: Digital books available for e-readers like Kindle or software like Apple Books, Kindle, and Google Play Books.
3. How do I choose a Engineering Drawing G Scheme Sample Paper book to read? Genres: Consider the genre you enjoy (fiction, non-fiction, mystery, sci-fi, etc.). Recommendations: Ask friends, join book clubs, or explore online reviews and recommendations. Author: If you like a particular author, you might enjoy more of their work.
4. How do I take care of Engineering Drawing G Scheme Sample Paper books? Storage: Keep them away from direct sunlight and in a dry environment. Handling: Avoid folding pages, use bookmarks, and handle them with clean hands. Cleaning: Gently dust the covers and pages occasionally.

5. Can I borrow books without buying them? Public Libraries: Local libraries offer a wide range of books for borrowing. Book Swaps: Community book exchanges or online platforms where people exchange books.
6. How can I track my reading progress or manage my book collection? Book Tracking Apps: Goodreads, LibraryThing, and Book Catalogue are popular apps for tracking your reading progress and managing book collections. Spreadsheets: You can create your own spreadsheet to track books read, ratings, and other details.
7. What are Engineering Drawing G Scheme Sample Paper audiobooks, and where can I find them? Audiobooks: Audio recordings of books, perfect for listening while commuting or multitasking. Platforms: Audible, LibriVox, and Google Play Books offer a wide selection of audiobooks.
8. How do I support authors or the book industry? Buy Books: Purchase books from authors or independent bookstores. Reviews: Leave reviews on platforms like Goodreads or Amazon. Promotion: Share your favorite books on social media or recommend them to friends.
9. Are there book clubs or reading communities I can join? Local Clubs: Check for local book clubs in libraries or community centers. Online Communities: Platforms like Goodreads have virtual book clubs and discussion groups.
10. Can I read Engineering Drawing G Scheme Sample Paper books for free? Public Domain Books: Many classic books are available for free as they're in the public domain. Free E-books: Some websites offer free e-books legally, like Project Gutenberg or Open Library.

Find Engineering Drawing G Scheme Sample Paper :

manual for funk pto

manual for mtd snowblower

[manual for coping](#)

manual for klx 140

[manual for galaxy tab 3](#)

[manual for epicor vantage user sales audit](#)

~~manual for brother vx707~~

manual for gmc duramax changing injectors

manual for citroen xsara picasso in english

manual for brother personal fax

manual for polaris 45utv winch

~~manual for ilive sound bar~~

~~manual for samsung focus i917~~

~~manual for electrical engineering laboratory i ee 291~~

manual for mercedes benz clk 350

Engineering Drawing G Scheme Sample Paper :

mi 34 ion cannon at fallout 4 nexus mods and community - Jun 17 2022

web the arm cortex a7 mpcore is a 32 bit microprocessor core licensed by arm holdings implementing the armv7 a architecture announced in 2011 overview the cortex a7 is

arm of kannon yamaguchi masakazu free - Jun 29 2023

web dec 31 2014 arm of kannon 1 by mangacast usage attribution noncommercial topics review yamaguchi masakazu s arm of kannon 1 addeddate 2006 02 03 00 03 23

forget push ups try this 5 move dumbbell triceps workout to - Jul 19 2022

web level 4 atk 1900 1700 1500 skill range 11 cells effective range 5 x 5 cells level 5 atk 2300 2050 1800 skill range 13 cells effective range 7 x 7

arm of kannon mangadex - Sep 01 2023

web few have ever survived the horrific affliction of the arm of kannon its demonic authority fuels a desire to kill and destroy until the host is driven to sheer madness will mao be

arm of kannon series by masakazu yamaguchi goodreads - Oct 22 2022

web oct 30 2023 finding new ways to target and tire your triceps during arm workouts might feel limited so put aside the triceps kickbacks and extensions and try this five move

charlie daniels wikipedia - Dec 12 2021

man killed himself rather than carry out apparent colorado attack - Dec 24 2022

web oct 31 2023 photo paul taylor a man has pleaded not guilty to kidnapping and elected trial by jury after an incident involving children walking in havelock north on october 5

divine pride net skill arm cannon - Mar 15 2022

arm of kannon manga anime planet - Feb 23 2023

web apr 11 2006 arm of kannon 9 issues arm of kannon volume published by tokyopop started in 2004 no recent wiki edits

to this page english translation of the

former hialeah cop gets more than 5 years in prison for armed - Aug 20 2022

web oct 24 2023 globally 254bn worth of merger and acquisition deals have been announced in oil and gas this year according to lseg the highest year to date total

cannon arm and the arcade quest 2021 imdb - Jan 13 2022

havelock north incident alleged child kidnapper pleads not guilty - Sep 20 2022

web aug 17 2019 the mi 34 ion cannon is a compact modular energy weapons system developed by dr octavia lee within the institute s advanced systems division the

arm cortex a7 wikipedia - Feb 11 2022

arm of kannon 4 covrprice - Jan 25 2023

web book 1 arm of kannon vol 1 by masakazu yamaguchi 3 15 124 ratings 9 reviews published 2004 2 editions the archeologist tozo mikami discovers an ancient want

arm of kannon volume comic vine - Nov 22 2022

web 1 day ago miami a miami dade judge sentenced former hialeah police officer rafael otano to 66 months in state prison wednesday following his august conviction for armed

dealmakers see chevron hess tie up as the start of oil arms race - May 17 2022

web jun 24 2022 cannon arm and the arcade quest directed by mads hedegaard with kim cannon arm walter day shigeru miyamoto kim kanoin arm is a guy from denmark

need help to find arm of kannon r manga reddit - Mar 27 2023

web oct 30 2023 file people ride the giant canyon swing at glenwood caverns adventure park in glenwood springs colo june 10 2011 a heavily armed man killed himself

birth arm of kannon manga myanimelist net - May 29 2023

web anyone knows where i can find scan or volumes of arm of kannon name in other countries birth □□□ because i searched like every site of manga scan and the only

arm cannon tv tropes - Apr 15 2022

web charles edward daniels october 28 1936 july 6 2020 was an american singer musician and songwriter his music fused rock country blues and jazz pioneering

arm of kannon wikipedia - Oct 02 2023

web oct 25 2023 publication 1998 completed mao s father returns home after disappearing for three years with a terrible secret he has found the ancient buddhist relic the arm of

arm of kannon vol 4 by masakazu yamaguchi goodreads - Jul 31 2023

web deep within the mountains of tibet secluded from the mortal world sits the arm of kannon an instrument of inconceivably wicked power resting safely outside the grasp

arm of kannon 1 mangacast free download borrow and - Apr 27 2023

web jan 1 2004 arm of kannon page count genre era modern cover price cover date january 2004 upc isbn country united states hi true believer sign up for your 10

le guide vert michelin editions - Jul 14 2023

web le guide vert un contenu riche et précis noté par étoiles nos incontournables de la destination des plans cartes détaillées et suggestions d itinéraires de nombreuses adresses sélectionnées pour tous les budgets des idées de programmes d un week end à plusieurs semaines

le guide vert danemark sua de michelin pdf - Nov 06 2022

web le guide vert danemark sua de michelin international catalogue of scientific literature 1901 1914 may 08 2021

methodology of concentration analysis applied to the study of industries and markets apr 30 2023 grand dictionnaire de la langue latine sur un nouveau plan par guill freund dec 15 2021

guide vert danemark sua de michelin 2022 - Apr 30 2022

web voyage de regnard en flandre en hollande en danemark et en suède 1681 michelin green guide spain guide des voyageurs dans le nord comprenant le danemark la suède la russie la pologne

le guide vert danemark suède michelin by michelin - Jun 01 2022

web avec le guide vert danemark suède vous avez tous les atouts en main pour découvrir le pays circuits touristiques que nous vous conseillons pour ne rien rater de la destination les sites a

guide vert danemark suède michelin by michelin jetpack theoi - Sep 04 2022

web avec le guide vert michelin explorer le danemark et la suède devient un jeu d enfant retrouvez les sites à visiter sélectionnés et classés par étoiles intéressant mérite un détour vaut le

downloadable free pdfs le guide vert danemark sua de michelin - Oct 05 2022

web le guide vert danemark sua de michelin guide classique du voyageur en europe oct 18 2020 le catalogue de l edition française aug 16 2020 guide du routard danemark suède 2019 20 sep 09 2022 cet ebook est une version numérique du guide papier sans interactivité additionnelle le routard le meilleur compagnon de voyage depuis 45

guide vert danemark sua de michelin by michelin - Mar 30 2022

web destination jouit en effet d'une nature luxuriante de grands espaces verts et de montagnes vertigineuses propices aux activités de plein air la suède se trouve à seulement 2h10 de vol depuis paris guide de voyage krabi le guide vert michelin *michelin guide vert danemark abebooks* - Dec 07 2022

web guide vert danemark suède michelin by michelin and a great selection of related books art and collectibles available now at abebooks.com

loading interface goodreads - Aug 03 2022

web discover and share books you love on goodreads

guide vert danemark sua de michelin 2022 old talentsprint - Dec 27 2021

web guide des voyageurs dans le nord comprenant le danemark la suède la russie la pologne faisant partie de la 8^e édition originale du guide des voyageurs en europe par le même auteur édition revue corrigée et augmentée

guide vert danemark suède michelin by michelin - Apr 11 2023

web avec le guide vert michelin explorer le danemark et la suède devient un jeu d'enfant retrouvez les sites à visiter sélectionnés et classés par étoiles intéressants mérite un détour vaut le voyage des circuits

guide vert danemark sua de michelin pdf pdf elections freep - Jul 02 2022

web guide vert danemark sua de michelin pdf upload jason g hayda 2 4 downloaded from elections freep.com on july 31 2023 by jason g hayda mining and the expansion of the metropolis of belo horizonte and its surrounding towns the growing recognition of the area's remarkable significance has led to increasing concern and a number of protected

guide vert danemark suède michelin by michelin - Jan 28 2022

web velha vols pour la suède cityzeum guide voyages et hôtels france librairie du voyage explorez l'europe en trek ou voyage touristique cartes l'actualité et les services de la région auvergne rhône avec le guide vert michelin explorer le danemark et la suède devient un jeu d'enfant retrouvez les

guide vert danemark suède michelin by michelin - Mar 10 2023

web april 12th 2020 krabi préparez votre séjour krabi avec le guide vert michelin infos pratiques sites touristiques incontournables hôtels et restaurants krabi petite ville de pêcheurs pleine de charme krabi s'étend le long des berges de la rivière

le guide vert danemark suède michelin by michelin - Feb 26 2022

web avec le guide vert danemark suède vous avez tous les atouts en main pour découvrir le pays circuits touristiques que nous vous conseillons pour ne rien rater de la destination les sites à visiter que nous classons par intérêt

guide vert danemark suède michelin goodreads - May 12 2023

web des sites vikings aux plaines lapones de la modernité suédoise aux traditions folkloriques des aurores boréales au soleil

de minuit le danemark et la suède séduiront toutes les envies nos auteurs sur le terrain ont sélectionné 10 incontournables de la destination en image 20 coups de c ur 7 itinéraires de 6 à 21 jours 51

le guide vert danemark suède michelin by michelin - Feb 09 2023

web avec le guide vert danemark suède vous avez tous les atouts en main pour découvrir le pays circuits touristiques que nous vous conseillons pour ne rien rater de la destination les sites à visiter que nous

guide vert danemark suède michelin broché collectif fnac - Jun 13 2023

web mar 31 2023 guide vert danemark suède michelin collectif michelin travel partner des milliers de livres avec la livraison chez vous en 1 jour ou en magasin avec 5 de réduction guide vert danemark suède michelin broché collectif achat livre fnac

guide vert danemark suède green guide denmark sweden - Jan 08 2023

web feb 17 2014 guide vert danemark suède green guide denmark sweden french edition michelin michelin on amazon com free shipping on qualifying offers guide vert danemark suède green guide denmark sweden french edition michelin on amazon com free shipping on qualifying offers guide vert danemark suède green

guide vert danemark et suède michelin boutique de l aventure michelin - Aug 15 2023

web le guide vert danemark et suède michelin un guide complet illustré pratique regroupant itinéraires incontournables spot en famille et coups de cœur

used john deere 6081 construction industrial engine for sale - Sep 03 2022

web nov 16 2018 equipment detail 205 kw spectrum john deere diesel generator mfg 2001 generator end model number 4ua9 generator set model

john deere 6081af001 engine diesel experts - Jul 13 2023

web remanufactured john deere 6081af001 engine the john deere 6081af001 engine is used in many types of agricultural construction and industrial equipment such as

2001 john deere 6081af001 for sale 24 900 machinery - Jul 01 2022

web powertech 8 1 l 6081 oem diesel engines 199 999 operator s manual powertech 8 1 l 6081 oem diesel engines 199 999 omrg24828 issue

low hour john deere 6081af001 180kw diesel - May 11 2023

web select group 8 1l powertech oem engine 6081af001 esn 199999 worldwide edition john deere parts catalog 110 valve cover 6081af001 130 crankshaft

john deere 6081af001 engine powertech parts manual pdf - Sep 22 2021

8 1l powertech oem engine 6081af001 john deere naf - Aug 14 2023

web 8 1l powertech oem engine 6081af001 crankshaft pulley r518277 od 184 mm 1303 r106998 od 163 mm 1304 1307 1345 r135028 od 217 5 mm

sale of john deere 6081af001 engine t m d - Jun 12 2023

web buy a john deere 6081af001 engine at the best price and best delays request your free quote

205kw 6081af001 john deere generator set youtube - Mar 29 2022

web engine parts engine parts engine parts go reset 5 results show per page sort set descending direction 579 99 camshaft lifter kit fits john deere 7710 7800 9510

ctm86 powertech 6081 8 1l diesel engines base engine - May 31 2022

web 205kw 6081af001 john deere generator set manufacturer john deere engine 6081af001 engine serial number rg6081a109291 kw rating 205

5914 oil filter engine powertech john deere 8 1 - Dec 26 2021

web this john deere 6081af001 engine powertech parts catalog manual pdf download is an electronic format manual that contains detailed illustrations parts name and parts

engine parts all states ag parts - Jan 27 2022

web 0002 000 complete engine 0401 001 crankcase 0420 231 oil sump 0430 238 inserted box assem 0436 001 timing cover 0442 002 engine suspension 0450 228 engine

used john deere 6081af001 complete engine for sale old - Oct 04 2022

web powertech 6081af001 tf001 hf001 oem engines esn 199999 waterloo pc2527 oct 03 revised powertech 6081af001 6081tf001 6081hf001 oem copyr

forside kva diesel a s - Apr 29 2022

web this john deere powertech 8 1l 6081 6081hf001 6081tf001 6081af001 oem diesel engines omrg24828 operation and maintenance manual pdf download provides all

john deere 6081 specifications technical data 2017 - Mar 09 2023

web diesel parts direct carries a great selection of aftermarket parts for john deere 6081a 6081h and 6081t powertech engines including fuel transfer pumps oil pumps water

john deere 6081af001 engine powertech parts catalog - Oct 24 2021

6081af001 engine powertech 8 1l powertech oem - Apr 10 2023

web see detailed specifications and technical data for john deere engines manufactured in 2017 2023 get more in depth

insight with john deere 6081 specifications on

6081a 6081h 6081t powertech esn up to 199999 diesel - Jan 07 2023

web aerohill engines we specialize in the sale of new engines and remanufacturing engines used in the automotive industrial and marine applications john deere 6081af engine

enginemodel f1ce0481f a001 power parts pro - Nov 24 2021

web this john deere 6081af001 engine powertech parts manual pdf download contains detailed illustrations parts name parts number and is very helpful for assembly or

deere 6081af001 engine for sale 3 listings - Dec 06 2022

web john deere 6081af001 turbo diesel engine runs exc video 8 1 6081 mechanical excellent running engine complete as pictured see video below runs out clean starts

john deere powertech 8 1l 6081 6081hf001 6081tf001 - Feb 25 2022

web 5914 oil filter engine powertech john deere 8 1 engine powertech 8 1l powertech oem engine 6081af001 esn 199999 worldwide edition oil

john deere 6081af engine john deere engines aerohill - Nov 05 2022

web john deere 6081af001 used manufacturer john deere model 6081 john deere 6081af001 diesel john deere 6081af001 701 0meter 0hours

used john deere 6081af001 diesel engine swift - Feb 08 2023

web browse a wide selection of new and used deere 6081af001 engine for sale near you at machinerytrader com
oem engines esn 199999 waterloo epcatalogs - Aug 02 2022

web covered models 6081acq01 6081an001 6081at001 6081atj01 6081atj02 6081atj03 6081hdw013 6081hdw03 6081hdw04 6081ht001 6081ht007