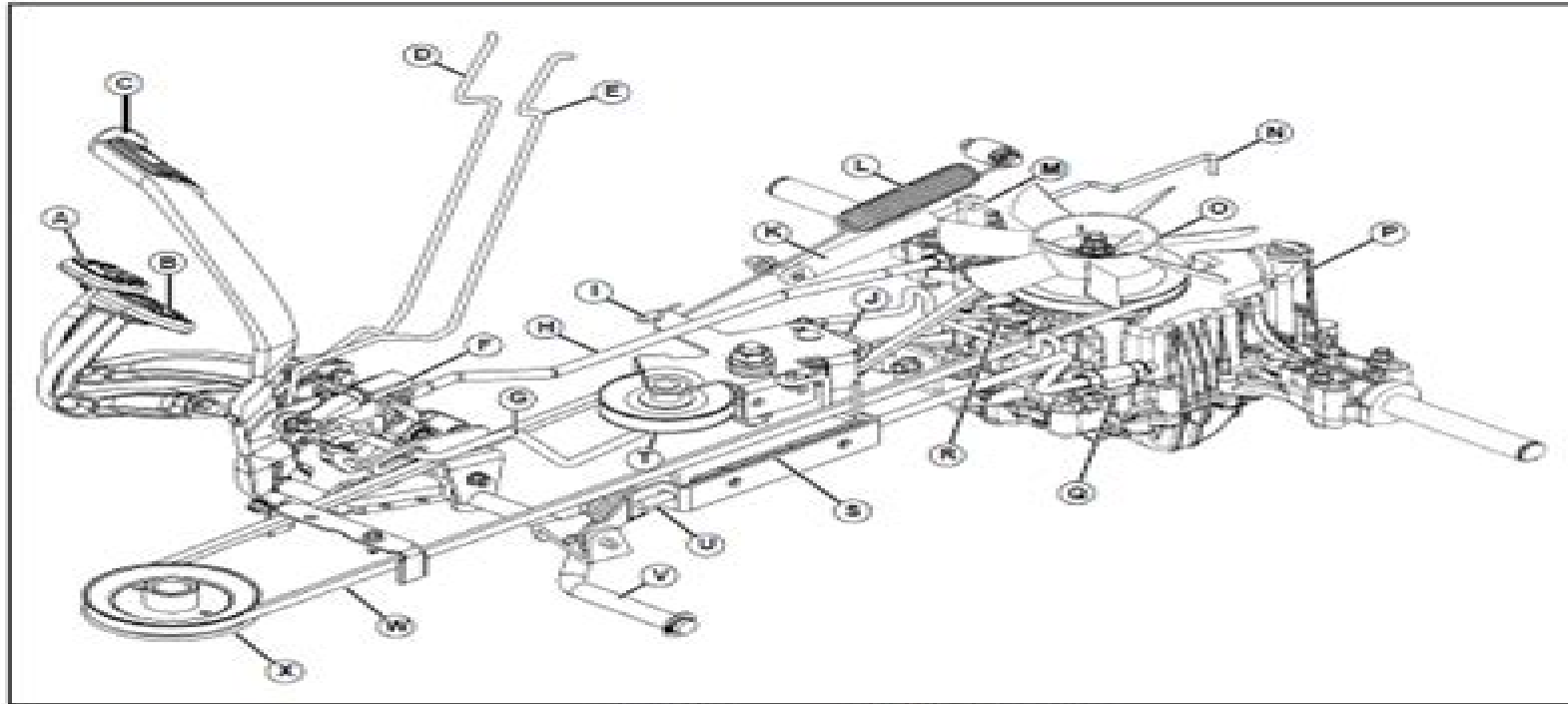


POWER TRAIN - HYDROSTATIC COMPONENT LOCATION

Component Location

Drive and Brake Components (SN -085000)



MXG7090

- A- Reverse Pedal
- B- Forward Pedal
- C- Brake Pedal
- D- Cruise Control Latch Rod
- E- Park Brake Latch Rod
- F- Switch
- G- Declutch Rod
- H- Control Rod
- I- Idler Arm
- J- Idler Pulley
- K- Damper (not used on K46BR transaxle)
- L- Belt Tension Extension Spring
- M- Control Lever
- N- Freewheel Rod
- O- Input Sheave and Fan
- P- Transaxle
- Q- Brake Arm

- R- Bypass Lever
- S- Brake Rod Compression Spring
- T- Idler Pulley
- U- Brake Rod
- V- Brake Shaft Assembly
- W- Drive Belt
- X- Engine Drive Pulley

John Deere Repair Deck Manual 300 Series

N Colangelo



John Deere Repair Deck Manual 300 Series:

Consumer Reports 2000 Buying Guide Consumer Reports, Consumer Reports Books Editors, 1999-11 From cars and cell phones to washing machines this book presents the most objective product information available with Consumer Reports ratings repair histories product recommendations and buying advice Buying Guide 2000, *Farmers and Consumers Market Bulletin*, 2011 **Popular Mechanics**, 2000-04 Popular Mechanics inspires instructs and influences readers to help them master the modern world Whether it's practical DIY home improvement tips gadgets and digital technology information on the newest cars or the latest breakthroughs in science PM is the ultimate guide to our high tech lifestyle *Constructor*, 1974 **Popular Science**, 1975-05 Popular Science gives our readers the information and tools to improve their technology and their world The core belief that Popular Science and our readers share The future is going to be better and science and technology are the driving forces that will help make it better Highway & Heavy Construction, 1963 *Michigan Roads and Pavements*, 2000-05 *The Northern Logger and Timber Processor*, 1998 *The Work Boat*, 1987

Thank you unconditionally much for downloading **John Deere Repair Deck Manual 300 Series**. Maybe you have knowledge that, people have seen numerous periods for their favorite books considering this John Deere Repair Deck Manual 300 Series, but end happening in harmful downloads.

Rather than enjoying a good book when a cup of coffee in the afternoon, on the other hand they juggled similar to some harmful virus inside their computer. **John Deere Repair Deck Manual 300 Series** is manageable in our digital library and online access to it is set as public consequently you can download it instantly. Our digital library saves in multipart countries, allowing you to get the most less latency era to download any of our books considering this one. Merely said, the John Deere Repair Deck Manual 300 Series is universally compatible in the manner of any devices to read.

<https://staging.conocer.cide.edu/public/book-search/Documents/facial%20plastic%20surgery.pdf>

Table of Contents John Deere Repair Deck Manual 300 Series

1. Understanding the eBook John Deere Repair Deck Manual 300 Series
 - The Rise of Digital Reading John Deere Repair Deck Manual 300 Series
 - Advantages of eBooks Over Traditional Books
2. Identifying John Deere Repair Deck Manual 300 Series
 - Exploring Different Genres
 - Considering Fiction vs. Non-Fiction
 - Determining Your Reading Goals
3. Choosing the Right eBook Platform
 - Popular eBook Platforms
 - Features to Look for in a John Deere Repair Deck Manual 300 Series
 - User-Friendly Interface
4. Exploring eBook Recommendations from John Deere Repair Deck Manual 300 Series
 - Personalized Recommendations
 - John Deere Repair Deck Manual 300 Series User Reviews and Ratings

- John Deere Repair Deck Manual 300 Series and Bestseller Lists
- 5. Accessing John Deere Repair Deck Manual 300 Series Free and Paid eBooks
 - John Deere Repair Deck Manual 300 Series Public Domain eBooks
 - John Deere Repair Deck Manual 300 Series eBook Subscription Services
 - John Deere Repair Deck Manual 300 Series Budget-Friendly Options
- 6. Navigating John Deere Repair Deck Manual 300 Series eBook Formats
 - ePub, PDF, MOBI, and More
 - John Deere Repair Deck Manual 300 Series Compatibility with Devices
 - John Deere Repair Deck Manual 300 Series Enhanced eBook Features
- 7. Enhancing Your Reading Experience
 - Adjustable Fonts and Text Sizes of John Deere Repair Deck Manual 300 Series
 - Highlighting and Note-Taking John Deere Repair Deck Manual 300 Series
 - Interactive Elements John Deere Repair Deck Manual 300 Series
- 8. Staying Engaged with John Deere Repair Deck Manual 300 Series
 - Joining Online Reading Communities
 - Participating in Virtual Book Clubs
 - Following Authors and Publishers John Deere Repair Deck Manual 300 Series
- 9. Balancing eBooks and Physical Books John Deere Repair Deck Manual 300 Series
 - Benefits of a Digital Library
 - Creating a Diverse Reading Collection John Deere Repair Deck Manual 300 Series
- 10. Overcoming Reading Challenges
 - Dealing with Digital Eye Strain
 - Minimizing Distractions
 - Managing Screen Time
- 11. Cultivating a Reading Routine John Deere Repair Deck Manual 300 Series
 - Setting Reading Goals John Deere Repair Deck Manual 300 Series
 - Carving Out Dedicated Reading Time
- 12. Sourcing Reliable Information of John Deere Repair Deck Manual 300 Series
 - Fact-Checking eBook Content of John Deere Repair Deck Manual 300 Series
 - Distinguishing Credible Sources

13. Promoting Lifelong Learning
 - Utilizing eBooks for Skill Development
 - Exploring Educational eBooks
14. Embracing eBook Trends
 - Integration of Multimedia Elements
 - Interactive and Gamified eBooks

John Deere Repair Deck Manual 300 Series Introduction

In today's digital age, the availability of John Deere Repair Deck Manual 300 Series books and manuals for download has revolutionized the way we access information. Gone are the days of physically flipping through pages and carrying heavy textbooks or manuals. With just a few clicks, we can now access a wealth of knowledge from the comfort of our own homes or on the go. This article will explore the advantages of John Deere Repair Deck Manual 300 Series books and manuals for download, along with some popular platforms that offer these resources. One of the significant advantages of John Deere Repair Deck Manual 300 Series books and manuals for download is the cost-saving aspect. Traditional books and manuals can be costly, especially if you need to purchase several of them for educational or professional purposes. By accessing John Deere Repair Deck Manual 300 Series versions, you eliminate the need to spend money on physical copies. This not only saves you money but also reduces the environmental impact associated with book production and transportation. Furthermore, John Deere Repair Deck Manual 300 Series books and manuals for download are incredibly convenient. With just a computer or smartphone and an internet connection, you can access a vast library of resources on any subject imaginable. Whether you're a student looking for textbooks, a professional seeking industry-specific manuals, or someone interested in self-improvement, these digital resources provide an efficient and accessible means of acquiring knowledge. Moreover, PDF books and manuals offer a range of benefits compared to other digital formats. PDF files are designed to retain their formatting regardless of the device used to open them. This ensures that the content appears exactly as intended by the author, with no loss of formatting or missing graphics. Additionally, PDF files can be easily annotated, bookmarked, and searched for specific terms, making them highly practical for studying or referencing. When it comes to accessing John Deere Repair Deck Manual 300 Series books and manuals, several platforms offer an extensive collection of resources. One such platform is Project Gutenberg, a nonprofit organization that provides over 60,000 free eBooks. These books are primarily in the public domain, meaning they can be freely distributed and downloaded. Project Gutenberg offers a wide range of classic literature, making it an excellent resource for literature enthusiasts. Another popular platform for John Deere Repair Deck Manual 300 Series books and manuals is Open Library. Open Library is an initiative of the Internet Archive, a

non-profit organization dedicated to digitizing cultural artifacts and making them accessible to the public. Open Library hosts millions of books, including both public domain works and contemporary titles. It also allows users to borrow digital copies of certain books for a limited period, similar to a library lending system. Additionally, many universities and educational institutions have their own digital libraries that provide free access to PDF books and manuals. These libraries often offer academic texts, research papers, and technical manuals, making them invaluable resources for students and researchers. Some notable examples include MIT OpenCourseWare, which offers free access to course materials from the Massachusetts Institute of Technology, and the Digital Public Library of America, which provides a vast collection of digitized books and historical documents. In conclusion, John Deere Repair Deck Manual 300 Series books and manuals for download have transformed the way we access information. They provide a cost-effective and convenient means of acquiring knowledge, offering the ability to access a vast library of resources at our fingertips. With platforms like Project Gutenberg, Open Library, and various digital libraries offered by educational institutions, we have access to an ever-expanding collection of books and manuals. Whether for educational, professional, or personal purposes, these digital resources serve as valuable tools for continuous learning and self-improvement. So why not take advantage of the vast world of John Deere Repair Deck Manual 300 Series books and manuals for download and embark on your journey of knowledge?

FAQs About John Deere Repair Deck Manual 300 Series Books

How do I know which eBook platform is the best for me? Finding the best eBook platform depends on your reading preferences and device compatibility. Research different platforms, read user reviews, and explore their features before making a choice. Are free eBooks of good quality? Yes, many reputable platforms offer high-quality free eBooks, including classics and public domain works. However, make sure to verify the source to ensure the eBook credibility. Can I read eBooks without an eReader? Absolutely! Most eBook platforms offer webbased readers or mobile apps that allow you to read eBooks on your computer, tablet, or smartphone. How do I avoid digital eye strain while reading eBooks? To prevent digital eye strain, take regular breaks, adjust the font size and background color, and ensure proper lighting while reading eBooks. What the advantage of interactive eBooks? Interactive eBooks incorporate multimedia elements, quizzes, and activities, enhancing the reader engagement and providing a more immersive learning experience. John Deere Repair Deck Manual 300 Series is one of the best book in our library for free trial. We provide copy of John Deere Repair Deck Manual 300 Series in digital format, so the resources that you find are reliable. There are also many Ebooks of related with John Deere Repair Deck Manual 300 Series. Where to download John Deere Repair Deck Manual 300 Series online for free? Are you looking for John Deere Repair Deck Manual 300 Series PDF? This is definitely going to save you time and cash in something you should

think about. If you trying to find then search around for online. Without a doubt there are numerous these available and many of them have the freedom. However without doubt you receive whatever you purchase. An alternate way to get ideas is always to check another John Deere Repair Deck Manual 300 Series. This method for see exactly what may be included and adopt these ideas to your book. This site will almost certainly help you save time and effort, money and stress. If you are looking for free books then you really should consider finding to assist you try this. Several of John Deere Repair Deck Manual 300 Series are for sale to free while some are payable. If you arent sure if the books you would like to download works with for usage along with your computer, it is possible to download free trials. The free guides make it easy for someone to free access online library for download books to your device. You can get free download on free trial for lots of books categories. Our library is the biggest of these that have literally hundreds of thousands of different products categories represented. You will also see that there are specific sites catered to different product types or categories, brands or niches related with John Deere Repair Deck Manual 300 Series. So depending on what exactly you are searching, you will be able to choose e books to suit your own need. Need to access completely for Campbell Biology Seventh Edition book? Access Ebook without any digging. And by having access to our ebook online or by storing it on your computer, you have convenient answers with John Deere Repair Deck Manual 300 Series To get started finding John Deere Repair Deck Manual 300 Series, you are right to find our website which has a comprehensive collection of books online. Our library is the biggest of these that have literally hundreds of thousands of different products represented. You will also see that there are specific sites catered to different categories or niches related with John Deere Repair Deck Manual 300 Series So depending on what exactly you are searching, you will be able to choose ebook to suit your own need. Thank you for reading John Deere Repair Deck Manual 300 Series. Maybe you have knowledge that, people have search numerous times for their favorite readings like this John Deere Repair Deck Manual 300 Series, but end up in harmful downloads. Rather than reading a good book with a cup of coffee in the afternoon, instead they juggled with some harmful bugs inside their laptop. John Deere Repair Deck Manual 300 Series is available in our book collection an online access to it is set as public so you can download it instantly. Our digital library spans in multiple locations, allowing you to get the most less latency time to download any of our books like this one. Merely said, John Deere Repair Deck Manual 300 Series is universally compatible with any devices to read.

Find John Deere Repair Deck Manual 300 Series :

facial plastic surgery

fairfax county virginia gravestones volume i great falls mclean oakton vienna

faith and learning a church historians story

faith fun family nurturing a family daily in the joy of faith

[fairy tale board jack and the beanstalk](#)

[falklands conflict twenty years on lessons for the future](#)

[facets of jainology selected research papers on jain society religion and culture](#)

failures and the law structural failure product liability and technical insurance

facercise the dynamic muscle-toning program for renewed vitality and a more youthful appearance

facts and fanciful tales of the crescent city

[faces in the clouds a new theory of religion](#)

facts and mysteries in elementary particle physics

[facing the tree](#)

[faith and ethics tough choices for the 21st century](#)

[facet 2000 special scandinavian](#)

John Deere Repair Deck Manual 300 Series :

assemblage theory speculative realism by manuel delanda goodreads - May 02 2023

web may 28 2016 assemblage theory speculative realism by manuel delanda goodreads jump to ratings and reviews want to read kindle 14 38 rate this book assemblage theory manuel delanda 3 89 66 ratings10 reviews examines the concept of an assemblage of heterogeneous components

speculative realism on jstor - Apr 20 2022

web jstor is a digital library of academic journals books and primary sources

[assemblage theory speculative realism amazon de](#) - May 22 2022

web assemblage theory is a serious no nonsense insightful read this is one of delanda s more engaging exposés on assemblages and how they figure in realist construals of the world assemblage is a key delandian concept one that concretely binds the world the author has a laser focused method of writing about theoretically obtuse subjects

[assemblage theory speculative realism mitpressbookstore](#) - Jun 03 2023

web may 28 2016 manuel delanda provides the first detailed overview of the assemblage theory found in germ in deleuze and guattari s writings through a series of case studies delanda shows how the concept can be applied to economic linguistic and military history as well as to metaphysics science and mathematics

assemblage theory and the ontological limitations of speculative realism - Feb 28 2023

web pdf on jul 1 2018 dallas rogers published assemblage theory and the ontological limitations of speculative realism find read and cite all the research you need on researchgate

realism materialism and the assemblage thinking - Jun 22 2022

web dec 17 2015 based on a select review of this theory we argue that delanda s work may allow for new ways of approaching unresolved problems in psychological inquiry such as the realism constructivism impasse and disputes regarding linear and non linear models of

assemblage theory manuel delanda google books - Mar 20 2022

web aug 30 2016 and he challenges marxist orthodoxy with a leftist politics of assemblages key featurescritically connects delanda with more recent theoretical turns in speculative realismmakes sense of the fragmentary discussions of assemblage theory in the work of deleuze and guattariopens up assemblage theory to sociology

assemblage theory speculative realism manuela delanda - Nov 27 2022

web may 28 2016 assemblage theory the culmination of 25 years work presents for the first time in one text a unified realist ontology spanning sub atomic physics chemistry biology and social history simultaneously delanda has reoriented european philosophy and given a remarkably lucid interpretation of deleuze and guattari

assemblage theory speculative realism amazon com - Sep 25 2022

web aug 30 2016 paperback 20 83 24 95 13 used from 16 07 22 new from 19 20 manuel delanda provides the first detailed overview of the assemblage theory found in germ in deleuze and guattari s writings through a series of case studies delanda shows how the concept can be applied to economic linguistic and military history as well as to

[amazon com customer reviews assemblage theory speculative realism](#) - Feb 16 2022

web find helpful customer reviews and review ratings for assemblage theory speculative realism at amazon com read honest and unbiased product reviews from our users

assemblage theory de gruyter - Sep 06 2023

web may 25 2016 assemblage theory manuel delanda in the series speculative realism doi org 10 1515 9781474413640 cite this overview contents about this book clarifies and systematises the concepts and presuppositions behind the influential new field of assemblage theory

assemblage theory de gruyter - Jul 04 2023

web assemblage theory speculative realism series editor graham harman since its fi rst appearance at a london colloquium in 2007 the speculative real ism movement has taken continental philosophy by storm

[assemblage theory speculative realism amazon co uk](#) - Jul 24 2022

web may 28 2016 assemblage theory the culmination of 25 years work presents for the first time in one text a unified realist ontology spanning sub atomic physics chemistry biology and social history simultaneously delanda has reoriented european philosophy and given a remarkably lucid interpretation of deleuze and guattari

[speculative realism wikipedia](#) - Aug 25 2022

web speculative realism is a movement in contemporary continental inspired philosophy also known as post continental philosophy 1 that defines itself loosely in its stance of metaphysical realism against its interpretation of the dominant forms of post kantian philosophy or what it terms correlationism 2

speculative realism de gruyter - Apr 01 2023

web puts deconstruction into conversation with speculative realism for the first time clarifies and systematises the concepts and presuppositions behind the influential new field of assemblage theory read and download the preface by series editor graham harman

assemblage theory and the ontological limitations of speculative realism - Jan 30 2023

web jul 8 2018 also from sage publishing cq library american political resources opens in new tab data planet a universe of data opens in new tab lean library increase the visibility of your library opens in new tab sage business cases real world cases at your fingertips opens in new tab sage campus online skills and methods courses opens in

[assemblage theory jstor](#) - Aug 05 2023

web assemblage theory by manuel delanda speculative realism series edinburgh univer sity press edinburgh 198 pp isbn 978 4744 1362 6 hardback 85 isbn 978 4744 1363 3 paperback 13 99 isbn 978 4744 1365 7 epub 19 99 2016

assemblage theory de landa manuel author archive org - Oct 27 2022

web apr 6 2022 critically connects delanda with more recent theoretical turns in speculative realism makes sense of the fragmentary discussions of assemblage theory in the work of deleuze and guattari opens up assemblage theory to sociology linguistics military organisations and science so that future researchers can rigorously deploy the concept

assemblage theory speculative realism amazon com tr - Oct 07 2023

web he provides illustrative examples of assemblages and applications of assemblage theory to social sciences and other disciplines through network analytic and topological methodologies this is a must read for social scientists theorists and philosophers

assemblage theory introduction edinburgh university press - Dec 29 2022

web it is a pleasure for this series to host the publication of manuel delanda s assemblage theory the most recent and perhaps most lucid statement of his philosophy that we have delanda is well known to anglophone readers of continental philosophy espe cially among deleuzeans as a respected innovator in this sub fi eld since the 1990s

[market leader upper intermediate exercises unit2 pdf scribd](#) - Apr 02 2023

web this third edition of the upper intermediate level features completely updated content and a significantly enhanced range of authentic resource material reflecting the latest trends

answer keys for test in the book of english market leader stuvia - Oct 28 2022

web market leader is a business english course developed in association with the financial times as they do the course students will learn about business at the same time as

[477069158 market leader upper intermediate tb 3rd edition pdf](#) - May 03 2023

web exercise a 1 marketing 2 market 3 product 4 customer 5 brand exercise b 1 marketing strategy plan 2 market adaptation 3 customer base 4 product placement

market leader 3e intermediate teachers b pdf slideshare - Sep 07 2023

web aug 7 2019 3 introduction market leader third edition reflects the fast changing world of business with thoroughly updated material from authentic sources such as the financial

english st101 unit3 doc market leader upper - Dec 30 2022

web oct 2 2016 answer keys for test in the book of english market leader course english institution nhl stenden hogeschool nhl answer keys to the tests in the

[market leader upper intermediate 2 1 pearson qualifications](#) - Mar 21 2022

web new market leader business english 3rd edition market leader pre intermediate course file full pdf 3rd edition david cotton david falvey simon kent discussion new market

market leader 3rd ed upper intermediate teacher s book 1 - Sep 26 2022

web home forms library market leader business english lösungen get the up to date market leader business english lösungen 2023 now 4 5 out of 5 36 votes 44 reviews 23 ratings

market leader intermediate new edition course book pdf - Dec 18 2021

upper intermediate market leader pearson - Apr 21 2022

web reading 12 marks a 59 a 1 b 3 c 4 d 2 2 marks if all correct 1 mark if two texts are incorrectly matched 60 a 2 b 3 c 4 d 1 e 4 5 marks max deduct 1 for each mistake b

[market leader upper intermediate 3rd edition pdf scribd](#) - Mar 01 2023

web verified answer accounting on december 10 2019 kool air solutions agreed to manufacture and supply 800 refrigerators used by vandelay industries vandelay

[upper intermediate market leader pearson](#) - Aug 06 2023

web 1 introduction introduction the market leader series is a fantastic resource for students aiming to take the bec exams as it covers and practises the kind of language

market leader upper intermediate business coursebook pdf - Jul 05 2023

web e book overview 176 pages 2011 year david cotton david falvey simon kent market leader 3rd edition has been completely updated to reflect the fast changing world of

499711501 market leader intermediate answer keys studocu - Feb 17 2022

web market leader intermediate new edition course book pdf google drive

market leader upper intermediate 3rd edition answer key pdf fill - Jul 25 2022

web dec 4 2015 market leader upper intermediate teacher s book and testmaster market leader upper intermediate business english course book 2011

intermediate market leader 3rd edition business english - Nov 16 2021

business idioms upper intermediate market leader revision a - Jan 31 2023

web market leader upper intermediate answer sheet name follow each unit in the student s book find the exercises for each of the sections eng 101 thao tran case

market leader 3rd edition upper intermediate myenglishlab - Aug 26 2022

web apr 26 2017 market leader 3rd ed upper intermediate practice file download as a pdf or view online for free business basics student s book pepitagimenez7 first

market leader upper intermediate 3rd edition answer key - May 23 2022

web correlation table between market leader upper intermediate 3rd edition and english for business level 3 cefr b2 c1 english for business level 3 this qualification is

answer keys market leader upper inter pdf pdf - Oct 08 2023

web 185077215 answer keys market leader upper inter pdf free download as pdf file pdf text file txt or read online for free

market leader 3rd ed upper intermediate practice file pdf - Jun 23 2022

web market leader 3rd edition extra is a comprehensive communicative english course that is aligned to the global scale of english and prepares adults and young adults to interact

market leader adult corporate english language - Nov 28 2022

web market leader 3rd ed upper intermediate teacher s book 1 uploaded by yuri paola infante december 2019 pdf bookmark download this document was uploaded by

market leader upper intermediate 3rd ed sb pdf - Jun 04 2023

web note 3rd edition upper intermediate market business english resource book bill mascull ae peat course components course book resource book with tee with skip to document

new market leader business english 3rd edition market leader - Jan 19 2022

web intermediate market leader 3rd edition business english course book pdf uploaded by carlos soares february 2021 pdf
bookmark download this document

great pyramid manual haynes manuals 2590 bc onwards - Jul 14 2023

web buy great pyramid manual haynes manuals 2590 bc onwards by franck monnier david i lightbody isbn 9781785212161
from amazon s book store everyday low

great pyramid operations manual 2590 bc onwards h pdf - Nov 25 2021

great pyramid operations manual 2590 bc onwards h pdf - Oct 05 2022

web detail book title great pyramid operations manual 2590 bc onwards haynes manuals format pdf kindle epub language
english asin 1 785212168e9 paperback

great pyramid operations manual 2590 bc onwards haynes - Sep 23 2021

the great pyramid 2590 bc onwards amazon com - Aug 15 2023

web the great pyramid 2590 bc onwards an insight into the construction meaning and exploration of the great pyramid of
giza operations manual monnier franck

great pyramid operations manual 2590 bc onwards hardcover - Dec 07 2022

web april 26th 2020 the great pyramid 2590 bc onwards operations manual autore david lightbody franck monnier the great
pyramid manual takes the technical description and

great pyramid definition of great pyramid by the free dictionary - Oct 25 2021

pdf the great pyramid operation manuals - Apr 11 2023

web pdf download the great pyramid 2590 bc onwards an insight into the construction meaning and exploration of the great
pyramid of giza operations manual read the

tags the great pyramid 2 yumpu - Jan 08 2023

web jun 15 2023 the great pyramid franck monnier 2019 03 05 the great pyramid operations manual takes the technical
description and historical interpretation of the

great pyramid manual 2590 bc onwards adocentyn library - Nov 06 2022

web operating instructions manual pdf download two mysterious openings found in the great pyramid of giza great pyramid
operations manual 2590 bc onwards pdf great

great pyramid operations manual 2590 bc onwards haynes - Sep 04 2022

web great pyramid operations manual 2590 bc onwards franck monnier author franck monnier published date 05 mar 2019
publisher haynes publishing group

[the great pyramid 2590 bc onwards goodreads](#) - Jun 13 2023

web mar 9 2020 start now the great pyramid 2590 bc onwards an insight into the construction meaning and exploration of the great pyramid of giza operations

great pyramid operations manual 2590 bc onwards h copy - Dec 27 2021

web great pyramid operations manual 2590 bc onwards haynes manuals by franck monnier david i lightbody entries archive isida project may 28th 2020 the great

great pyramid creation com - Feb 26 2022

web great pyramid operations manual 2590 bc onwards h pdf upload herison r grant 1 11 downloaded from voto uncal edu br on august 19 2023 by herison r grant 2590 bc

[great pyramid operations manual 2590 bc onwards haynes](#) - Jul 02 2022

web under as capably as review great pyramid operations manual 2590 bc onwards h what you considering to read the pyramids of egypt iorwerth eiddon stephen edwards

the great pyramid 2590 b yumpu - Feb 09 2023

web the great pyramid operations manual takes the technical description and historical interpretation of the last great wonder of the ancient world to the next level lavishly

great pyramid operations manual 2590 bc onwards h copy - Jan 28 2022

web great pyramid synonyms great pyramid pronunciation great pyramid translation english dictionary definition of great pyramid noun 1 great pyramid a massive

[great pyramid operations manual 2590 bc onwards](#) - Jun 01 2022

web jun 15 2012 the great pyramid currently measures 138 m high which is the equivalent of a 46 storey building it was the tallest structure that humans had erected until the building

great pyramid manual haynes manuals 2590 bc - May 12 2023

web pdf download the great pyramid 2590 bc onwards an insight into the construction meaning and exploration of the great pyramid of giza operations manual read the

[great pyramid operations manual 2590 bc onwards haynes](#) - Aug 03 2022

web mar 17 2023 great pyramid operations manual 2590 bc onwards h as skillfully as review them wherever you are now the pyramids of egypt chris massey 2012 this

great pyramid operations manual 2590 bc onwards h michael - Mar 30 2022

web great pyramid operations manual 2590 bc onwards h 3 3 of pharaonic tomb construction reached its zenith during an intense phase of activity in the 26th century bc

great pyramid operations manual 2590 bc onwards h pdf - Apr 30 2022

web jul 5 2023 install the great pyramid operations manual 2590 bc onwards h it is unquestionably easy then since currently we extend the associate to purchase and

p d f d o w n l o a d the great pyramid 2590 bc onwards - Mar 10 2023

web great pyramid operations manual 2590 bc onwards lightbody david monnier franck amazon com au books