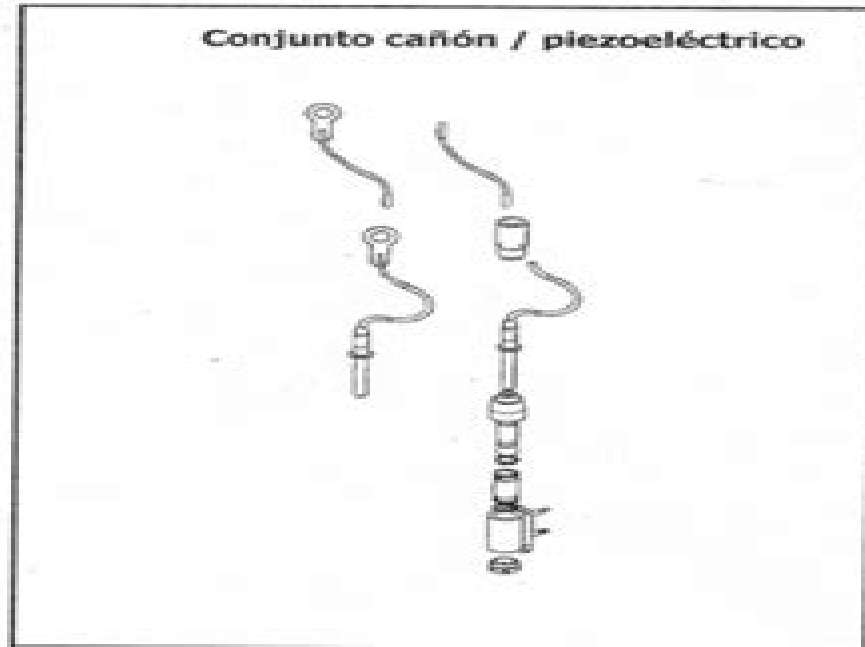
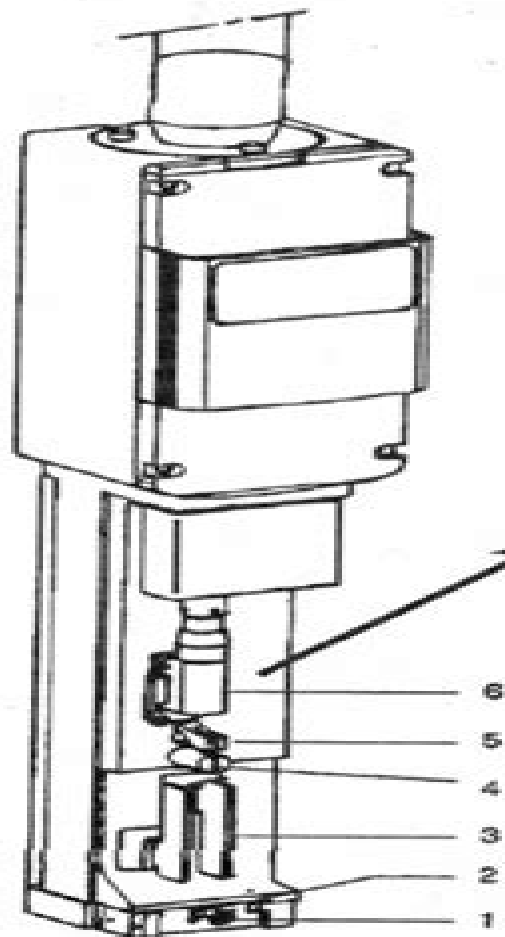


Cabezal de impresión



- |   |   |                                   |
|---|---|-----------------------------------|
| 1 | — | Válvula de cierre del recuperador |
| 2 | — | Recuperador                       |
| 3 | — | Placas de deflexión               |
| 4 | — | Electrodo de detección            |
| 5 | — | Electrodo de carga                |
| 6 | — | Cañón                             |

Tipo de uno o dos chorros

# Jaime 1000 S4 Plus Manual

**Jianjun Gao**



**Jaime 1000 S4 Plus Manual:**

## Decoding **Jaime 1000 S4 Plus Manual**: Revealing the Captivating Potential of Verbal Expression

In a time characterized by interconnectedness and an insatiable thirst for knowledge, the captivating potential of verbal expression has emerged as a formidable force. Its capability to evoke sentiments, stimulate introspection, and incite profound transformations is genuinely awe-inspiring. Within the pages of "**Jaime 1000 S4 Plus Manual**," a mesmerizing literary creation penned by way of a celebrated wordsmith, readers attempt an enlightening odyssey, unraveling the intricate significance of language and its enduring impact on our lives. In this appraisal, we shall explore the book's central themes, evaluate its distinctive writing style, and gauge its pervasive influence on the hearts and minds of its readership.

<https://staging.conocer.cide.edu/files/publication/default.aspx/hello%20agnieszka%20between%20two%20worlds%20book%200.pdf>

### **Table of Contents Jaime 1000 S4 Plus Manual**

1. Understanding the eBook Jaime 1000 S4 Plus Manual
  - The Rise of Digital Reading Jaime 1000 S4 Plus Manual
  - Advantages of eBooks Over Traditional Books
2. Identifying Jaime 1000 S4 Plus Manual
  - Exploring Different Genres
  - Considering Fiction vs. Non-Fiction
  - Determining Your Reading Goals
3. Choosing the Right eBook Platform
  - Popular eBook Platforms
  - Features to Look for in an Jaime 1000 S4 Plus Manual
  - User-Friendly Interface
4. Exploring eBook Recommendations from Jaime 1000 S4 Plus Manual
  - Personalized Recommendations
  - Jaime 1000 S4 Plus Manual User Reviews and Ratings

- Jaime 1000 S4 Plus Manual and Bestseller Lists
- 5. Accessing Jaime 1000 S4 Plus Manual Free and Paid eBooks
  - Jaime 1000 S4 Plus Manual Public Domain eBooks
  - Jaime 1000 S4 Plus Manual eBook Subscription Services
  - Jaime 1000 S4 Plus Manual Budget-Friendly Options
- 6. Navigating Jaime 1000 S4 Plus Manual eBook Formats
  - ePub, PDF, MOBI, and More
  - Jaime 1000 S4 Plus Manual Compatibility with Devices
  - Jaime 1000 S4 Plus Manual Enhanced eBook Features
- 7. Enhancing Your Reading Experience
  - Adjustable Fonts and Text Sizes of Jaime 1000 S4 Plus Manual
  - Highlighting and Note-Taking Jaime 1000 S4 Plus Manual
  - Interactive Elements Jaime 1000 S4 Plus Manual
- 8. Staying Engaged with Jaime 1000 S4 Plus Manual
  - Joining Online Reading Communities
  - Participating in Virtual Book Clubs
  - Following Authors and Publishers Jaime 1000 S4 Plus Manual
- 9. Balancing eBooks and Physical Books Jaime 1000 S4 Plus Manual
  - Benefits of a Digital Library
  - Creating a Diverse Reading Collection Jaime 1000 S4 Plus Manual
- 10. Overcoming Reading Challenges
  - Dealing with Digital Eye Strain
  - Minimizing Distractions
  - Managing Screen Time
- 11. Cultivating a Reading Routine Jaime 1000 S4 Plus Manual
  - Setting Reading Goals Jaime 1000 S4 Plus Manual
  - Carving Out Dedicated Reading Time
- 12. Sourcing Reliable Information of Jaime 1000 S4 Plus Manual
  - Fact-Checking eBook Content of Jaime 1000 S4 Plus Manual
  - Distinguishing Credible Sources

13. Promoting Lifelong Learning
  - Utilizing eBooks for Skill Development
  - Exploring Educational eBooks
14. Embracing eBook Trends
  - Integration of Multimedia Elements
  - Interactive and Gamified eBooks

### **Jaime 1000 S4 Plus Manual Introduction**

In this digital age, the convenience of accessing information at our fingertips has become a necessity. Whether its research papers, eBooks, or user manuals, PDF files have become the preferred format for sharing and reading documents. However, the cost associated with purchasing PDF files can sometimes be a barrier for many individuals and organizations. Thankfully, there are numerous websites and platforms that allow users to download free PDF files legally. In this article, we will explore some of the best platforms to download free PDFs. One of the most popular platforms to download free PDF files is Project Gutenberg. This online library offers over 60,000 free eBooks that are in the public domain. From classic literature to historical documents, Project Gutenberg provides a wide range of PDF files that can be downloaded and enjoyed on various devices. The website is user-friendly and allows users to search for specific titles or browse through different categories. Another reliable platform for downloading Jaime 1000 S4 Plus Manual free PDF files is Open Library. With its vast collection of over 1 million eBooks, Open Library has something for every reader. The website offers a seamless experience by providing options to borrow or download PDF files. Users simply need to create a free account to access this treasure trove of knowledge. Open Library also allows users to contribute by uploading and sharing their own PDF files, making it a collaborative platform for book enthusiasts. For those interested in academic resources, there are websites dedicated to providing free PDFs of research papers and scientific articles. One such website is Academia.edu, which allows researchers and scholars to share their work with a global audience. Users can download PDF files of research papers, theses, and dissertations covering a wide range of subjects. Academia.edu also provides a platform for discussions and networking within the academic community. When it comes to downloading Jaime 1000 S4 Plus Manual free PDF files of magazines, brochures, and catalogs, Issuu is a popular choice. This digital publishing platform hosts a vast collection of publications from around the world. Users can search for specific titles or explore various categories and genres. Issuu offers a seamless reading experience with its user-friendly interface and allows users to download PDF files for offline reading. Apart from dedicated platforms, search engines also play a crucial role in finding free PDF files. Google, for instance, has an advanced search feature that allows users to filter results by file type. By specifying the file type as "PDF," users can find websites that offer

free PDF downloads on a specific topic. While downloading Jaime 1000 S4 Plus Manual free PDF files is convenient, its important to note that copyright laws must be respected. Always ensure that the PDF files you download are legally available for free. Many authors and publishers voluntarily provide free PDF versions of their work, but its essential to be cautious and verify the authenticity of the source before downloading Jaime 1000 S4 Plus Manual. In conclusion, the internet offers numerous platforms and websites that allow users to download free PDF files legally. Whether its classic literature, research papers, or magazines, there is something for everyone. The platforms mentioned in this article, such as Project Gutenberg, Open Library, Academia.edu, and Issuu, provide access to a vast collection of PDF files. However, users should always be cautious and verify the legality of the source before downloading Jaime 1000 S4 Plus Manual any PDF files. With these platforms, the world of PDF downloads is just a click away.

## **FAQs About Jaime 1000 S4 Plus Manual Books**

**What is a Jaime 1000 S4 Plus Manual PDF?** A PDF (Portable Document Format) is a file format developed by Adobe that preserves the layout and formatting of a document, regardless of the software, hardware, or operating system used to view or print it. **How do I create a Jaime 1000 S4 Plus Manual PDF?** There are several ways to create a PDF: Use software like Adobe Acrobat, Microsoft Word, or Google Docs, which often have built-in PDF creation tools. Print to PDF: Many applications and operating systems have a "Print to PDF" option that allows you to save a document as a PDF file instead of printing it on paper. Online converters: There are various online tools that can convert different file types to PDF. **How do I edit a Jaime 1000 S4 Plus Manual PDF?** Editing a PDF can be done with software like Adobe Acrobat, which allows direct editing of text, images, and other elements within the PDF. Some free tools, like PDFescape or Smallpdf, also offer basic editing capabilities. **How do I convert a Jaime 1000 S4 Plus Manual PDF to another file format?** There are multiple ways to convert a PDF to another format: Use online converters like Smallpdf, Zamzar, or Adobe Acrobats export feature to convert PDFs to formats like Word, Excel, JPEG, etc. Software like Adobe Acrobat, Microsoft Word, or other PDF editors may have options to export or save PDFs in different formats. **How do I password-protect a Jaime 1000 S4 Plus Manual PDF?** Most PDF editing software allows you to add password protection. In Adobe Acrobat, for instance, you can go to "File" -> "Properties" -> "Security" to set a password to restrict access or editing capabilities. Are there any free alternatives to Adobe Acrobat for working with PDFs? Yes, there are many free alternatives for working with PDFs, such as: LibreOffice: Offers PDF editing features. PDFsam: Allows splitting, merging, and editing PDFs. Foxit Reader: Provides basic PDF viewing and editing capabilities. How do I compress a PDF file? You can use online tools like Smallpdf, ILovePDF, or desktop software like Adobe Acrobat to compress PDF files without significant quality loss. Compression reduces the file size, making it easier

to share and download. Can I fill out forms in a PDF file? Yes, most PDF viewers/editors like Adobe Acrobat, Preview (on Mac), or various online tools allow you to fill out forms in PDF files by selecting text fields and entering information. Are there any restrictions when working with PDFs? Some PDFs might have restrictions set by their creator, such as password protection, editing restrictions, or print restrictions. Breaking these restrictions might require specific software or tools, which may or may not be legal depending on the circumstances and local laws.

### **Find Jaime 1000 S4 Plus Manual :**

*hello agnieszka between two worlds book 2*

**helicopter lubrication oil system manual**

hellmans mayonnaise coleslaw recipe

heidelberg printing machine cd 102 operational manual

*heinz tomato soup recipe*

*help on english 2 semester apex*

~~her protectors pleasure mayhem in mayfair book english edition~~

~~heavy equipment mechanic study guide 3wr29~~

**helm duramax service manual**

**heartless episode english edition**

**heart of wonderland fairy tale trilogy volume 1**

**herido pero aun caminado**

**hells gift save my soul book english edition**

*her russian hero international romance series book english edition*

**heath zenith home safety product manual**

### **Jaime 1000 S4 Plus Manual :**

CCSS Answers - CCSS Math Answer Key for Grade 8, 7, 6, 5 ... Go Math Grade 6 Answer Key · Chapter 1: Divide Multi-Digit Numbers · Chapter 2: Fractions and Decimals · Chapter 3: Understand Positive and Negative Numbers ... Go Math Answer Key All the Concepts in the CCSS Go Math Answer Key for Grades Kindergarten, 1, 2, 3, 4, 5, 6, 7, 8 are given with straightforward and detailed descriptions. Go ... CCSS Math Answers - Go Math Answer Key for Grade 8, 7, 6 ... Go Math Grade 6 Answer Key · Chapter 1: Divide Multi-Digit Numbers · Chapter 2: Fractions and Decimals · Chapter 3: Understand



Positive and Negative Numbers ... Common Core Sheets grade quicker Grade assignments in seconds with CommonCoreSheets' answer column. ... Math worksheets for kids. Created by educators, teachers and peer reviewed ... enVision Math Answer Key enVision Math Common Core Grade 5 Answer Key · Topic 1 Understand Place Value · Topic 2 Use Models and Strategies to Add and Subtract Decimals · Topic 3 Fluently ... Printables - Common Core - Answer Key - Math - 3rd Grade Here you will find the answers to our thousands of practice worksheets tied to the Common Core State Standards. Just select an area from the list below: Math Expressions Answer Key Math Expressions Answer Key for Grade 5, 4, 3, 2, 1, and Kindergarten K | Math Expressions Common Core Grades K-5. Houghton Mifflin Math Expressions Common Core ... Answer Keys Common Core Algebra I · Common Core Geometry · Common Core Algebra II · Algebra 2 ... Answer Keys. LEGAL: Privacy Policy · Terms and Conditions · Data Security ... Algebra 1 Answers and Solutions Answers and solutions for 8th and 9th grade. Get Algebra 1 theory for high school - like a math tutor, better than a math calculator or problem solver. Campbell Biology: Concepts and Connections - 9th Edition Our resource for Campbell Biology: Concepts and Connections includes answers to chapter exercises, as well as detailed information to walk you through the ... Campbell Biology: Concepts & Connections 9th Edition ... Campbell Biology: Concepts & Connections 9th Edition Textbook Solutions | Chegg.com. We have solutions for your book! Campbell Biology: Concepts & Connections | 7th Edition By Verified Textbook Solutions. Need answers to Campbell Biology: Concepts & Connections 7th Edition published by Pearson? Get help now with immediate access ... Campbell Biology: Concepts & Connections (9th Edition) Access all of the textbook solutions and explanations for Cain/Urry's Campbell Biology: Concepts & Connections (9th Edition). 02 test bank 2 - Wheatley biology test answer keys. Wheatley biology test answer keys. biology: concepts and connections, 7e (reece et al.) chapter the chemical basis of life questions the four most common. Test Bank and Solutions For Campbell Biology, Concepts ... Test Bank, Solutions Manual, Ebook for Campbell Biology, Concepts & Connections 10th Edition By Martha Taylor ; 9780136538820, 9780136539414, 0136539416, Test Bank For Campbell Biology Concepts Connections ... Test Bank for Campbell Biology Concepts Connections 9th Edition 9th ... O Level Biology Practice Questions And Answers: Ecology And Our Impact On The Ecosystem. Chapter 7 Campbell's Biology: Concepts and Connections, 7e (Reece et al.) Chapter 7 Photosynthesis: Using Light to Make Food. 7.1 Multiple-Choice Questions. 1) What is ... Campbell Biology Concepts And Connections Sep 18, 2023 — In a digital era where connections and knowledge reign supreme, the enchanting power of language has be much more apparent than ever. Active Reading Guide for CAMPBELL BIOLOGY Answer the following questions as you read modules 5.1-5.9: 1. Every cell ... How is this possible? ConnECTIng THE BIG IDEAs. Use your knowledge of the ... TradeStation Made Easy!: Using EasyLanguage to Build ... TradeStation Made Easy!: Using EasyLanguage to Build ... Wiley Trading: Tradestation Made Easy!: Using ... Customize your trading plan for greater profits using the mostpopular charting software. The majority of professional and individual traders use somekind of ... TradeStation Made Easy!: Using... book by Sunny J. Harris Customize

---

your trading plan for greater profits using the mostpopular charting software The majority of professional and individual traders use somekind of ... TradeStation Made Easy! (Using EasyLanguage to Build ... This book title, TradeStation Made Easy! (Using EasyLanguage to Build Profits with the World's Most Popular Trading Software), ISBN: 9780471353539, by Sunny J. Using EasyLanguage to Build Profits with the World Customize your trading plan for greater profits using the mostpopular charting software The majority of professional and individual traders use somekind of ... TradeStation Made Easy!: Using EasyLanguage to Build ... Customize your trading plan for greater profits using the mostpopular charting software. The majority of professional and individual traders use somekind of ... TradeStation Made Easy!: Using EasyLanguage to Build ... Customize your trading plan for greater profits using the mostpopular charting software. The majority of professional and individual traders use somekind of ... TradeStation Made Easy!: Using EasyLanguage to Build ... TradeStation Made Easy!: Using EasyLanguage to Build Profits with the World's Mo ; Condition. Brand New ; Quantity. 3 available ; Item Number. 386270954550 ; ISBN- ... TradeStation Made Easy!: Using EasyLanguage to Build ... Mar 4, 2011 — Customize your trading plan for greater profits using the mostpopular charting software. The majority of professional and individual traders ... TradeStation Made Easy! : Using EasyLanguage to Build ... "Customize your trading plan for greater profits using the most popular charting software. While this software is favored by many, TradeStation's computer ...