



SINCE

1886

## INSTALLATION INSTRUCTIONS FOR HUNTER CEILING FAN LIGHT KITS MODELS:

28330, 28331, 28332, 28333, 28334, 28335, 28336, 28337, 28338, 28339, 28340, 28341, 28342,  
28343, 28344, 28345, 28405, 28406, 28407, 28408, 28982, 28983, 28984, 28985, 28986, 28987

### CAUTIONS

Read entire text carefully before beginning installation and save these instructions.

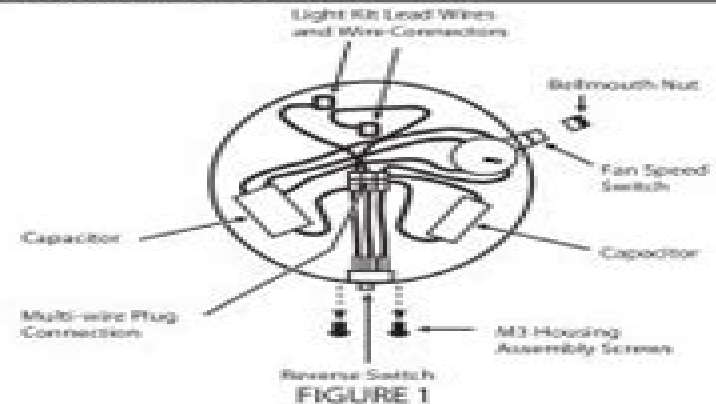
To reduce the risk of electrical shock, install this light kit only on Hunter ceiling fan models with removable switch housings.

### WARNING

- To avoid possible electrical shock, before installing light fixtures, disconnect power by turning off the circuit breakers both to the outlet box and to its associated wall switch location. If you cannot lock the circuit breakers in the off position, securely fasten a prominent warning device, such as a tag, to the service panel.

Connect house wiring to the fan before attaching the light fixture to the fan.

All wiring must be in accordance with national and local electrical codes and ANSI/NFPA 70. If you are unfamiliar with wiring, you should use a qualified electrician.



4. Locate and carefully remove the two capacitors from the switch housing.
5. You have now disconnected the wiring harness and its components from the switch housing and are ready to install them into the modular accessory light kit.

### STEP 2: INSTALLING WIRING HARNESS

NOTE: Refer to Figure 1 for steps listed below.

1. Locate the two wires in the lower switch housing labeled "Connect Light Here" or "For Light Use". One will be white, the other black with a white stripe. Unscrew the wire connectors counterclockwise to expose the bare metal leads.
2. Locate the white wire and the black wire coming from the light fixture.

Connect the black wire from the light fixture to the black wire with a white stripe from the lower switch housing.

Connect the white wire from the light fixture to the white wire from the lower switch housing.

To fasten the wires, twist the two bare leads together. Place a wire connector over the intertwined length of wire and twist clockwise until tight.

### STEP 1: REMOVING WIRING HARNESS

Before you can install the modular accessory light kit, you must remove the wiring harness and its components from the modular switch housing on the fans listed above. You must then install the wiring harness into the modular accessory light kit.

NOTE: Refer to Figure 1 for the steps listed below.

1. Locate the reversing switch and carefully remove the two screws holding the reversing switch to the switch housing. The reversing switch can now be removed from the switch housing.
2. Remove the patented breakaway connector from the fan pull chain.
3. Carefully loosen the bellmouth nut from the fan pull chain and remove the fan pull chain switch from the switch housing.

# Hunter Ceiling Fan Installation Manual

**VM Jensen**



## **Hunter Ceiling Fan Installation Manual:**

**Operator's and Organizational Maintenance Manual** ,1992 New York Magazine ,1991-09-09 New York magazine was born in 1968 after a run as an insert of the New York Herald Tribune and quickly made a place for itself as the trusted resource for readers across the country With award winning writing and photography covering everything from politics and food to theater and fashion the magazine s consistent mission has been to reflect back to its audience the energy and excitement of the city itself while celebrating New York as both a place and an idea **Heating, Ventilating, Air Conditioning Guide** ,1955 **New York** ,1991 **House Beautiful's Building Manual** ,1953 *Western New York Trade Union Directory and Manual* ,1944 **Popular Mechanics** ,1951-08 Popular Mechanics inspires instructs and influences readers to help them master the modern world Whether it s practical DIY home improvement tips gadgets and digital technology information on the newest cars or the latest breakthroughs in science PM is the ultimate guide to our high tech lifestyle **Popular Mechanics** ,1984-02 Popular Mechanics inspires instructs and influences readers to help them master the modern world Whether it s practical DIY home improvement tips gadgets and digital technology information on the newest cars or the latest breakthroughs in science PM is the ultimate guide to our high tech lifestyle House Beautiful's Home Maintenance and Building Manual ,1950 **Powers' Central Station Directory and Buyers' Manual** ,1903 **American Builder** ,1952 *Popular Science* ,1988-04 Popular Science gives our readers the information and tools to improve their technology and their world The core belief that Popular Science and our readers share The future is going to be better and science and technology are the driving forces that will help make it better *Popular Mechanics* ,1951-08 Popular Mechanics inspires instructs and influences readers to help them master the modern world Whether it s practical DIY home improvement tips gadgets and digital technology information on the newest cars or the latest breakthroughs in science PM is the ultimate guide to our high tech lifestyle **Electrical Installation Record** ,1924 **Official Gazette of the United States Patent and Trademark Office** ,2000 **Popular Mechanics** ,1965-02 Popular Mechanics inspires instructs and influences readers to help them master the modern world Whether it s practical DIY home improvement tips gadgets and digital technology information on the newest cars or the latest breakthroughs in science PM is the ultimate guide to our high tech lifestyle **Official Gazette of the United States Patent and Trademark Office** United States. Patent and Trademark Office,1997 **Dictionary of Louisiana French** Albert Valdman, Kevin J. Rottet, Barry Jean Ancelet, Richard Guidry, Thomas A. Klingler, Amanda LaFleur, Tamara Lindner, Michael D. Picone, Dominique Ryon, 2010-09-30 The Dictionary of Louisiana French DLF provides the richest inventory of French vocabulary in Louisiana and reflects precisely the speech of the period from 1930 to the present This dictionary describes the current usage of French speaking peoples in the five broad regions of South Louisiana the coastal marshes the banks of the Mississippi River the central area the north and the western prairie Data were collected during interviews from at least five

persons in each of twenty four areas in these regions In addition to the data collected from fieldwork the dictionary contains material compiled from existing lexical inventories from texts published after 1930 and from archival recordings The new authoritative resource the DLF not only contains the largest number of words and expressions but also provides the most complete information available for each entry Entries include the word in the conventional French spelling the pronunciation including attested variants the part of speech classification the English equivalent and the word s use in common phrases The DLF features a wealth of illustrative examples derived from fieldwork and textual sources and identification of the parish where the entry was collected or the source from which it was compiled An English to Louisiana French index enables readers to find out how particular notions would be expressed in la Louisiane *Popular Science* ,1965-05 Popular Science gives our readers the information and tools to improve their technology and their world The core belief that Popular Science and our readers share The future is going to be better and science and technology are the driving forces that will help make it better **Airman's Guide** ,1950

Getting the books **Hunter Ceiling Fan Installation Manual** now is not type of inspiring means. You could not lonely going taking into consideration ebook stock or library or borrowing from your associates to admittance them. This is an completely easy means to specifically get guide by on-line. This online statement Hunter Ceiling Fan Installation Manual can be one of the options to accompany you in the same way as having extra time.

It will not waste your time. resign yourself to me, the e-book will definitely freshen you supplementary situation to read. Just invest little epoch to right of entry this on-line broadcast **Hunter Ceiling Fan Installation Manual** as capably as review them wherever you are now.

<https://staging.conocer.cide.edu/public/scholarship/HomePages/Floating%20Focus%20Materials.pdf>

## **Table of Contents Hunter Ceiling Fan Installation Manual**

1. Understanding the eBook Hunter Ceiling Fan Installation Manual
  - The Rise of Digital Reading Hunter Ceiling Fan Installation Manual
  - Advantages of eBooks Over Traditional Books
2. Identifying Hunter Ceiling Fan Installation Manual
  - Exploring Different Genres
  - Considering Fiction vs. Non-Fiction
  - Determining Your Reading Goals
3. Choosing the Right eBook Platform
  - Popular eBook Platforms
  - Features to Look for in an Hunter Ceiling Fan Installation Manual
  - User-Friendly Interface
4. Exploring eBook Recommendations from Hunter Ceiling Fan Installation Manual
  - Personalized Recommendations
  - Hunter Ceiling Fan Installation Manual User Reviews and Ratings
  - Hunter Ceiling Fan Installation Manual and Bestseller Lists

5. Accessing Hunter Ceiling Fan Installation Manual Free and Paid eBooks
  - Hunter Ceiling Fan Installation Manual Public Domain eBooks
  - Hunter Ceiling Fan Installation Manual eBook Subscription Services
  - Hunter Ceiling Fan Installation Manual Budget-Friendly Options
6. Navigating Hunter Ceiling Fan Installation Manual eBook Formats
  - ePub, PDF, MOBI, and More
  - Hunter Ceiling Fan Installation Manual Compatibility with Devices
  - Hunter Ceiling Fan Installation Manual Enhanced eBook Features
7. Enhancing Your Reading Experience
  - Adjustable Fonts and Text Sizes of Hunter Ceiling Fan Installation Manual
  - Highlighting and Note-Taking Hunter Ceiling Fan Installation Manual
  - Interactive Elements Hunter Ceiling Fan Installation Manual
8. Staying Engaged with Hunter Ceiling Fan Installation Manual
  - Joining Online Reading Communities
  - Participating in Virtual Book Clubs
  - Following Authors and Publishers Hunter Ceiling Fan Installation Manual
9. Balancing eBooks and Physical Books Hunter Ceiling Fan Installation Manual
  - Benefits of a Digital Library
  - Creating a Diverse Reading Collection Hunter Ceiling Fan Installation Manual
10. Overcoming Reading Challenges
  - Dealing with Digital Eye Strain
  - Minimizing Distractions
  - Managing Screen Time
11. Cultivating a Reading Routine Hunter Ceiling Fan Installation Manual
  - Setting Reading Goals Hunter Ceiling Fan Installation Manual
  - Carving Out Dedicated Reading Time
12. Sourcing Reliable Information of Hunter Ceiling Fan Installation Manual
  - Fact-Checking eBook Content of Hunter Ceiling Fan Installation Manual
  - Distinguishing Credible Sources
13. Promoting Lifelong Learning

- Utilizing eBooks for Skill Development
  - Exploring Educational eBooks
14. Embracing eBook Trends
- Integration of Multimedia Elements
  - Interactive and Gamified eBooks

### **Hunter Ceiling Fan Installation Manual Introduction**

In the digital age, access to information has become easier than ever before. The ability to download Hunter Ceiling Fan Installation Manual has revolutionized the way we consume written content. Whether you are a student looking for course material, an avid reader searching for your next favorite book, or a professional seeking research papers, the option to download Hunter Ceiling Fan Installation Manual has opened up a world of possibilities. Downloading Hunter Ceiling Fan Installation Manual provides numerous advantages over physical copies of books and documents. Firstly, it is incredibly convenient. Gone are the days of carrying around heavy textbooks or bulky folders filled with papers. With the click of a button, you can gain immediate access to valuable resources on any device. This convenience allows for efficient studying, researching, and reading on the go. Moreover, the cost-effective nature of downloading Hunter Ceiling Fan Installation Manual has democratized knowledge. Traditional books and academic journals can be expensive, making it difficult for individuals with limited financial resources to access information. By offering free PDF downloads, publishers and authors are enabling a wider audience to benefit from their work. This inclusivity promotes equal opportunities for learning and personal growth. There are numerous websites and platforms where individuals can download Hunter Ceiling Fan Installation Manual. These websites range from academic databases offering research papers and journals to online libraries with an expansive collection of books from various genres. Many authors and publishers also upload their work to specific websites, granting readers access to their content without any charge. These platforms not only provide access to existing literature but also serve as an excellent platform for undiscovered authors to share their work with the world. However, it is essential to be cautious while downloading Hunter Ceiling Fan Installation Manual. Some websites may offer pirated or illegally obtained copies of copyrighted material. Engaging in such activities not only violates copyright laws but also undermines the efforts of authors, publishers, and researchers. To ensure ethical downloading, it is advisable to utilize reputable websites that prioritize the legal distribution of content. When downloading Hunter Ceiling Fan Installation Manual, users should also consider the potential security risks associated with online platforms. Malicious actors may exploit vulnerabilities in unprotected websites to distribute malware or steal personal information. To protect themselves, individuals should ensure their devices have reliable antivirus software installed and validate the legitimacy of the websites

they are downloading from. In conclusion, the ability to download Hunter Ceiling Fan Installation Manual has transformed the way we access information. With the convenience, cost-effectiveness, and accessibility it offers, free PDF downloads have become a popular choice for students, researchers, and book lovers worldwide. However, it is crucial to engage in ethical downloading practices and prioritize personal security when utilizing online platforms. By doing so, individuals can make the most of the vast array of free PDF resources available and embark on a journey of continuous learning and intellectual growth.

### **FAQs About Hunter Ceiling Fan Installation Manual Books**

How do I know which eBook platform is the best for me? Finding the best eBook platform depends on your reading preferences and device compatibility. Research different platforms, read user reviews, and explore their features before making a choice. Are free eBooks of good quality? Yes, many reputable platforms offer high-quality free eBooks, including classics and public domain works. However, make sure to verify the source to ensure the eBook credibility. Can I read eBooks without an eReader? Absolutely! Most eBook platforms offer webbased readers or mobile apps that allow you to read eBooks on your computer, tablet, or smartphone. How do I avoid digital eye strain while reading eBooks? To prevent digital eye strain, take regular breaks, adjust the font size and background color, and ensure proper lighting while reading eBooks. What the advantage of interactive eBooks? Interactive eBooks incorporate multimedia elements, quizzes, and activities, enhancing the reader engagement and providing a more immersive learning experience. Hunter Ceiling Fan Installation Manual is one of the best book in our library for free trial. We provide copy of Hunter Ceiling Fan Installation Manual in digital format, so the resources that you find are reliable. There are also many Ebooks of related with Hunter Ceiling Fan Installation Manual. Where to download Hunter Ceiling Fan Installation Manual online for free? Are you looking for Hunter Ceiling Fan Installation Manual PDF? This is definitely going to save you time and cash in something you should think about. If you trying to find then search around for online. Without a doubt there are numerous these available and many of them have the freedom. However without doubt you receive whatever you purchase. An alternate way to get ideas is always to check another Hunter Ceiling Fan Installation Manual. This method for see exactly what may be included and adopt these ideas to your book. This site will almost certainly help you save time and effort, money and stress. If you are looking for free books then you really should consider finding to assist you try this. Several of Hunter Ceiling Fan Installation Manual are for sale to free while some are payable. If you arent sure if the books you would like to download works with for usage along with your computer, it is possible to download free trials. The free guides make it easy for someone to free access online library for download books to your device. You can get free download on free trial for lots of books categories. Our library is the



biggest of these that have literally hundreds of thousands of different products categories represented. You will also see that there are specific sites catered to different product types or categories, brands or niches related with Hunter Ceiling Fan Installation Manual. So depending on what exactly you are searching, you will be able to choose e books to suit your own need. Need to access completely for Campbell Biology Seventh Edition book? Access Ebook without any digging. And by having access to our ebook online or by storing it on your computer, you have convenient answers with Hunter Ceiling Fan Installation Manual To get started finding Hunter Ceiling Fan Installation Manual, you are right to find our website which has a comprehensive collection of books online. Our library is the biggest of these that have literally hundreds of thousands of different products represented. You will also see that there are specific sites catered to different categories or niches related with Hunter Ceiling Fan Installation Manual So depending on what exactly you are searching, you will be able to choose ebook to suit your own need. Thank you for reading Hunter Ceiling Fan Installation Manual. Maybe you have knowledge that, people have search numerous times for their favorite readings like this Hunter Ceiling Fan Installation Manual, but end up in harmful downloads. Rather than reading a good book with a cup of coffee in the afternoon, instead they juggled with some harmful bugs inside their laptop. Hunter Ceiling Fan Installation Manual is available in our book collection an online access to it is set as public so you can download it instantly. Our digital library spans in multiple locations, allowing you to get the most less latency time to download any of our books like this one. Merely said, Hunter Ceiling Fan Installation Manual is universally compatible with any devices to read.

### **Find Hunter Ceiling Fan Installation Manual :**

~~[floating focus materials](#)~~

~~[flora of new england](#)~~

**flowers for the table notecards**

~~[flora de san juan republica argentina v1](#)~~

**flores de bach para principiantes**

~~[flower painting techniques](#)~~

~~[flood defence law](#)~~

**flight of ikaros travels in greece during a civil war**

**floors stairs and carpets**

~~[flight of the condor](#)~~

~~[florida state city slickers s](#)~~

~~[flowers in salt the beginnings of feminist consciousness in modern japan](#)~~

**floriculture interior plantscape**

flow phenomena in porous media fundamentals and applications in petroleum water and food production

florida statistical abstract 1990

**Hunter Ceiling Fan Installation Manual :**

**introducing psychology pearson new international edition brain** - Apr 10 2023

web 662 60 tl for introductory psychology courses at two year and four year institutions this innovative 11 chapter text

examines psychological issues from the levels of the brain

**introducing psychology plus mypsychlab without etext** - Sep 22 2021

**introducing psychology brain person group version 5 0** - Aug 02 2022

web institutions using bookshelf across 241 countries introducing psychology brain person group v5 1 5th edition is written by stephen kosslyn and published by flatworld the

introducing psychology brain person group v5 1 5th edition - May 31 2022

web abebooks com introducing psychology brain person group 4th edition 9780558882846 by kosslyn stephen m rosenberg robin s and a great selection

**introducing psychology pearson new international edition** - Jan 27 2022

web aug 20 2020 introducing psychology brain person group by stephen m kosslyn robin s rosenberg 2010 pearson

education limited edition in english introducing

*introducing psychology brain person group kosslyn stephen* - Feb 25 2022

web department of psychology 2121 berkeley way university of california berkeley berkeley ca 94720 1650 phone 510 642 5292 fax 510 642 5293 email

**introducing psychology brain person group v5 1** - Nov 05 2022

web nov 17 2010 buy introducing psychology brain person group 4 by kosslyn stephen m rosenberg robin s isbn

9780558882846 from amazon s book store everyday

**introducing psychology brain person group stephen m** - Jul 13 2023

web nov 17 2010 stephen michael kosslyn robin s rosenberg pearson education limited nov 24 2010 psychology 640 pages this innovative 13 chapter text examines

*introducing psychology stephen m kosslyn 9781292042527* - Dec 06 2022

web jun 1 2020 stephen michael kosslyn born 1948 is an american psychologist who specializes in the fields of cognitive

psychology and cognitive neuroscience

[introducing psychology by stephen m kosslyn open library](#) - Jan 07 2023

web introducing psychology grosses bild reihe pearson autor stephen m kosslyn robin s rosenberg verlag pearson einband softcover auflage 1 sprache englisch seiten 548

**stephen kosslyn wikipedia** - Apr 29 2022

web learn more this innovative 13 chapter text examines psychological issues from the levels of the brain person and social world to help students actively apply psychology to their

**introduction of psychology uc psych** - Nov 24 2021

**introducing psychology brain person group paperback** - Sep 03 2022

web dec 25 2010 stephen m kosslyn introducing psychology brain person group 4th edition paperback dec 25 2010 by stephen m kosslyn author robin s

[introducing psychology brain person group flatworld](#) - Aug 14 2023

web introducing psychology brain person group presents psychology using levels of the brain person and social world to help students actively apply psychology to their lives

*introducing psychology brain person group 4th edition* - Mar 29 2022

web aug 17 2022 introducing psychology pearson new international edition kosslyn stephen rosenberg robin amazon com au books

**introducing psychology brain person group 4th edition** - Jun 12 2023

web nov 27 2010 amazon com introducing psychology brain person group 4th edition 9780558882846 kosslyn stephen m rosenberg robin s books books

*introducing psychology brain person group open library* - Oct 24 2021

**introducing psychology brain person group 4th edition** - Jul 01 2022

web stephen michael kosslyn born 1948 is an american psychologist and neuroscientist kosslyn is best known for his work on visual cognition and the science of learning

**introducing psychology pearson new international** - Feb 08 2023

web dec 3 2022 introducing psychology by stephen m kosslyn robin s rosenberg 2011 pearson education limited edition in english

**introducing psychology brain person** - Dec 26 2021

web introducing psychology plus mypsychlab without etext stephen kosslyn and robin rosenberg have found that exploring psychology from multiple perspectives further

[introducing psychology brain person group v5 1 goodreads](#) - Oct 04 2022

web introducing psychology brain person group version 5 0 is written by stephen m kosslyn robin s rosenberg and published by flatworld the digital and etextbook

**introducing psychology brain person group kosslyn stephen** - Mar 09 2023

web introducing psychology brain person group by kosslyn stephen michael 1948 publication date 2011 topics psychology textbooks psychology publisher

**introducing psychology brain person group by** - May 11 2023

web nov 24 2010 stephen m kosslyn robin s rosenberg 3 97 30 ratings0 reviews this innovative 13 chapter text examines psychological issues from the levels of the brain

**romantische herzenskultur briefe und literatur pdf uniport edu** - Aug 09 2022

web jul 30 2023 romantische herzenskultur briefe und literatur 2 5 downloaded from uniport edu ng on july 30 2023 by guest contributed to this volume of commemorative

*romantische herzenskultur briefe und literatur broschiert* - Aug 21 2023

web romantische herzenskultur briefe und literatur immer nikolas schlegel dorothea amazon de bücher

*romantische herzenskultur briefe und literatur 2023 mail* - Nov 12 2022

web romantische herzenskultur the wallenstein figure in german literature and historiography 1790 1920 emotional lexicons romantische herzenskultur briefe und

**romantik zum unterrichten** - Dec 13 2022

web die romantik ist eine epoche in der deutschen literatur und der kunstgeschichte sie reicht vom ende des 18 bis zur mitte des 19 jahrhunderts und wird oft in früh hoch

**romantische herzenskultur briefe und literatur weimarer** - Jul 20 2023

web dorothea schlegel nikolas immer hrsg romantische herzenskultur briefe und literatur isbn 373740206x von weimarer verlagsgesellschaft jetzt versandkostenfrei

**leben als text briefe als ausdrucks und verständigungsmittel** - Mar 16 2023

web jahrhunderts und der romantik an der frauen partizipiert und die sie maßgeblich mitgestaltet und zur literatur geführt haben war der brief seit altersher ein mittel der

*briefe und literatur buch gebraucht antiquarisch neu kaufen* - Jun 19 2023

web romantische herzenskultur briefe und literatur dorothea schlegel weimarer verlagsgesellschaft in der verlagshaus

römerweg gmbh 2014 zustand gebraucht gut

**romantische herzenskultur briefe und literatur copy web mei** - Apr 05 2022

web romantische herzenskultur briefe und literatur this is likewise one of the factors by obtaining the soft documents of this romantische herzenskultur briefe und literatur

**kulturgeschichte des herzens** - Feb 03 2022

web hoystad geht vor allem der individuellen und gesellschaftlichen bedeutung des herzens in europa nach die stationen führen von den ishtar epen aus der zeit von etwa 5000 v

romantische herzenskultur briefe und literatur clr imymac - Jun 07 2022

web romantische herzenskultur briefe und literatur downloaded from clr imymac com by guest estrada lizeth a companion to the works of friedrich schiller mhra albrecht

romantische herzenskultur briefe und literatur copy uniport edu - Jan 02 2022

web jun 8 2023 guides you could enjoy now is romantische herzenskultur briefe und literatur below a companion to the works of friedrich schiller steven d martinson

*pdf romantische herzenskultur briefe und literatur* - Apr 17 2023

web romantische herzenskultur briefe und literatur briefe an ein frauenzimmer über die wichtigsten produkte der schönen literatur jun 05 2023 briefe an ein frauenzimmer

*romantische herzenskultur briefe und literatur 2023 protese* - Sep 10 2022

web orientierung und ordnung des menschen das leib und seele materie und geist aber auch den einzelnen und das all ganze verbindet um dem leben sinn und halt zu

romantische herzenskultur briefe und literatur copy solutions - Dec 01 2021

web 2 romantische herzenskultur briefe und literatur 2022 06 29 legacy library is to vastly increase access to the rich scholarly heritage found in the thousands of books published

romantische herzenskultur briefe und literatur - May 18 2023

web romantische herzenskultur briefe und literatur downloaded from mail thekingiscoming com by guest gross antony friedrich schiller princeton

**romantische herzenskultur briefe und literatur old syndeohro** - Mar 04 2022

web romantische herzenskultur briefe und literatur 1 romantische herzenskultur briefe und literatur the travel diary of a philosopher children of the ghetto who is this

**romanistik wikipedia** - May 06 2022

web romanistik oder romanische philologie beschäftigt sich mit geschichte und gegenwart der aus dem latein

hervorgegangenen romanischen sprachen und literaturen dies

**romantische herzenskultur briefe und literatur goodreads** - Sep 22 2023

web oct 20 2014 perfect paperback published october 20 2014 book details editions

romantische herzenskultur briefe und literatur copy - Jan 14 2023

web fünf briefe von th oeser über deutsche literatur und lektüre für frauen und jungfrauen may 07 2020 ansichten über  
aesthetik und literatur jan 27 2022 zur deutschen

**lyrik der romantik empfohlen für das 10 13 schuljahr** - Jul 08 2022

web lyrik anthologie mit 100 gedichten der romantik diese anthologie enthält vertraute aber auch weniger bekannte gedichte  
und geht dabei besonders auf die weiblichen stimmen

**romantische herzenskultur briefe und ab 3 99** - Feb 15 2023

web romantische herzenskultur briefe und literatur schlegel 2014 isbn 9783737402064 dorothea schlegel 1764 1839 eine  
der prominentesten dichterinnen

romantische schriften kulturstiftung - Oct 11 2022

web jan 27 2012 romantische schriften das freie deutsche hochstift in frankfurt a m erwirbt eine wiederentdeckte  
handschrift des dichters novalis zum heinrich von

**romantische herzenskultur briefe und literatur** - Oct 23 2023

web romantische herzenskultur briefe und literatur apologie der briefkultur jul 15 2020 briefwechsel mar 03 2022 briefe bei  
gelegenheit der politisch theologischen aufgabe

**satellites orbits in the sun earth moon system springerlink** - Dec 02 2021

web may 16 2023 satellites orbits in the sun earth moon system mayer humi 1 celestial mechanics and dynamical astronomy  
volume 135 article number 30 2023 cite this article

041 the sun earth moon system pdf google drive - Nov 01 2021

web sign in 041 the sun earth moon system pdf google drive sign in

chapter 8 section 5 the sun earth moon system - Apr 18 2023

web in this section you will find materials that support the implementation of earthcomm section 5 the sun earth moon  
system learning outcomes use a model to explain the relative motions of earth the moon and the sun carry out an  
investigation that examines the changes in the appearance of the moon in the night sky

total solar eclipse 2024 live updates space - Jun 27 2021

web oct 7 2023 on april 8 2024 a total solar eclipse will be visible across the americas during a total eclipse the moon  
appears almost exactly the same size as the sun and blocks the entire disk for a few

**earth sun system astronomy britannica** - May 07 2022

web other articles where earth sun system is discussed mechanics centre of mass extend the idea farther consider earth and the sun not as two separate bodies but as a single system of two bodies interacting with one another by means of the force of gravity in the previous discussion of circular orbits the sun was assumed to be at rest at the

**interactions in the sun earth moon system study com** - Aug 10 2022

web nov 18 2021 the sun earth and moon interact in a complex ballet of motions and forces the moon orbits the earth once per month and the earth orbits the sun once per year this happens because

**our place in the universe sun earth moon eclipses activity** - Mar 05 2022

web this guide support activities for learning about the sun light our solar system and eclipses they draw upon hands on safe activities suitable for children as well as adults while these activities were designed to help people prepare for the total eclipse of the sun in 2024 they can be used beyond the eclipse as part of your outreach

**solar system facts nasa science** - Jun 08 2022

web size and distance our solar system extends much farther than the eight planets that orbit the sun the solar system also includes the kuiper belt that lies past neptune s orbit this is a sparsely occupied ring of icy bodies almost all smaller than the most popular kuiper belt object dwarf planet pluto beyond the

**the sun earth moon system videos lessons study com** - Jan 03 2022

web view all practice tests in this course 1 interactions in the sun earth moon system the dynamic forces between the sun earth and moon can be measured or observed in various ways see the

**sun earth and moon model astroedu** - Oct 12 2022

web mar 8 2016 background sun the sun is a star a powerhouse of energy undergoing constant nuclear fusion it is luminous and extremely hot even though the earth is about 150 million kilometres away from the sun we still feel the energy from the explosions that happen within it

**es the earth sun moon system new visions science** - Jan 15 2023

web major understanding 1 1d earth rotates on an imaginary axis at a rate of 15 degrees per hour to people on earth this turning of the planet makes it seem as though the sun the moon and the stars are moving around earth once a day rotation provides a basis for our system of local time meridians of longitude are the basis for time zones

**the earth moon sun system earth science** - Sep 11 2022

web the earth moon sun system this unit contains resources about the scale of the earth moon system lunar rotation and revolution eclipses shadows and how the amount of daylight on earth changes as a function of seasons workshop presentations powerpoint click to download the ms powerpoint file 5 2 mbytes includes videos embedded in file

**the earth sun moon system khan academy** - Jun 20 2023

web in this unit you ll explore the inner workings of the earth sun moon system discover the secrets of our seasons learn why the moon waxes and wanes and find out what causes the stunning spectacle of a solar eclipse

**jupiter nasa science** - Aug 30 2021

web overview jupiter is the fifth planet from our sun and is by far the largest planet in the solar system more than twice as massive as all the other planets combined jupiter s stripes and swirls are actually cold windy clouds of ammonia and water floating in an atmosphere of hydrogen and helium jupiter s iconic

**earth moon sun physics narrative iopspark** - Dec 14 2022

web the sun earth moon system sun earth and space the sun earth moon system physics narrative for 11 14 explaining familiar phenomena even though the sun and moon are such familiar objects in the night sky many children and adults alike struggle to explain cyclical events such as night and day the seasons and the changing appearance of the

**physical science 9 2a the earth moon sun system youtube** - Jul 21 2023

web apr 13 2009 the earth moon sun system the orbit of the moon around the earth the orbit of the earth around the sun and a discussion of the relative sizes and distances from the physical science

**comets nasa science** - Sep 30 2021

web comets are cosmic snowballs of frozen gases rock and dust that orbit the sun when frozen they are the size of a small town when a comet s orbit brings it close to the sun it heats up and spews dust and gases into a giant glowing head larger than most planets the dust and gases form a tail that stretches away from the sun for millions of

**modeling the sun earth moon system nasa science** - May 19 2023

web in this activity students explore in detail the motion of the three body system that consists of the sun earth and moon

**the sun earth moon system iopspark** - Feb 16 2023

web the sun earth moon system physics narrative for 11 14 explaining familiar phenomena even though the sun and moon are such familiar objects in the night sky many children and adults alike struggle to explain cyclical events such as night and day the seasons and the changing appearance of the moon

**the sun earth moon system mcgraw hill education** - Feb 04 2022

web chapter 23 the sun earth moon system by clicking below students can find web links for the science online features in their book section and chapter review quizzes standardized test practice additional math practice games and puzzles based on chapter content science concept animations and internet labs web links

**the sun and the earth moon system earth science lumen** - Aug 22 2023

web the sun and the earth moon system lesson objectives describe how earth s movements affect seasons and cause day and



night explain solar and lunar eclipses describe the phases of the moon and explain why they occur explain how movements of the earth and moon affect earth s tides vocabulary crescent gibbous lunar eclipse

**what are the different phases of an annular solar eclipse msn** - May 27 2021

web oct 14 2023 annular solar eclipse 2023 a ring of fire solar eclipse will occur on october 14 2023 this is an annular solar eclipse and is known as a ring of fire because the shadow cast by the

**the earth moon system nasa science** - Mar 25 2021

web rockets aren t the only thing we launch welcome to our improved nasa website if you don t find what you are looking for please try searching above give us feedback or return to the main site eight days after its final encounter with the earth the galileo spacecraft looked back and captured this remarkable view of the earth and moon

**get ready for the ring of fire solar eclipse this saturday** - Jul 29 2021

web oct 13 2023 katrina miller will be observing saturday s solar eclipse in richfield utah edgar sandoval in san antonio texas and zolan kanno youngs near campeche mexico oct 13 2023 follow live

**the sun earth and moon solar system for kids youtube** - Apr 06 2022

web in this video you will be taken on a spectacular adventure to the earth sun and moon you will learn interesting facts about these 3 aspects of the solar sy

earth sun moon system pbs learningmedia - Mar 17 2023

web structure and scale of the solar system components of the solar system comparative planetology major planets dwarf planets and small solar system bodies orbital motion gravity and kepler s laws the sun earth s systems earth s systems continually interact biogeology earth s atmosphere atmospheric composition

*pdf dynamics of the sun earth moon system researchgate* - Jul 09 2022

web aug 1 2005 abstract the dynamics of the sun earth moon system is discussed with special attention to the effects of sun s perturbations on the moon s orbit around the earth important secular effects

**16 4 the sun and the earth moon system geosciences** - Apr 25 2021

web the solar system is made up of the sun the planets that orbit the sun their satellites dwarf planets and many many small objects like asteroids and comets all of these objects move and we can see these movements

**earth moon system an overview sciencedirect topics** - Nov 13 2022

web the moon is tidally locked to the earth as they orbit the sun together with each revolving around the barycenter of the system approximately every 27 days table 1 the lunar day and night each last roughly two earth weeks

the sun and the earth moon system earth science lumen - Sep 23 2023

web the sun and the earth moon system the solar system is made up of the sun the planets that orbit the sun their satellites

dwarf planets and many many small objects like asteroids and comets all of these objects move and we can see these movements