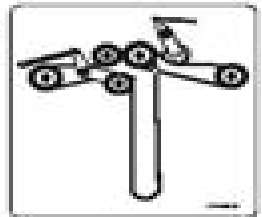
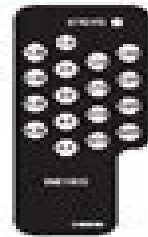


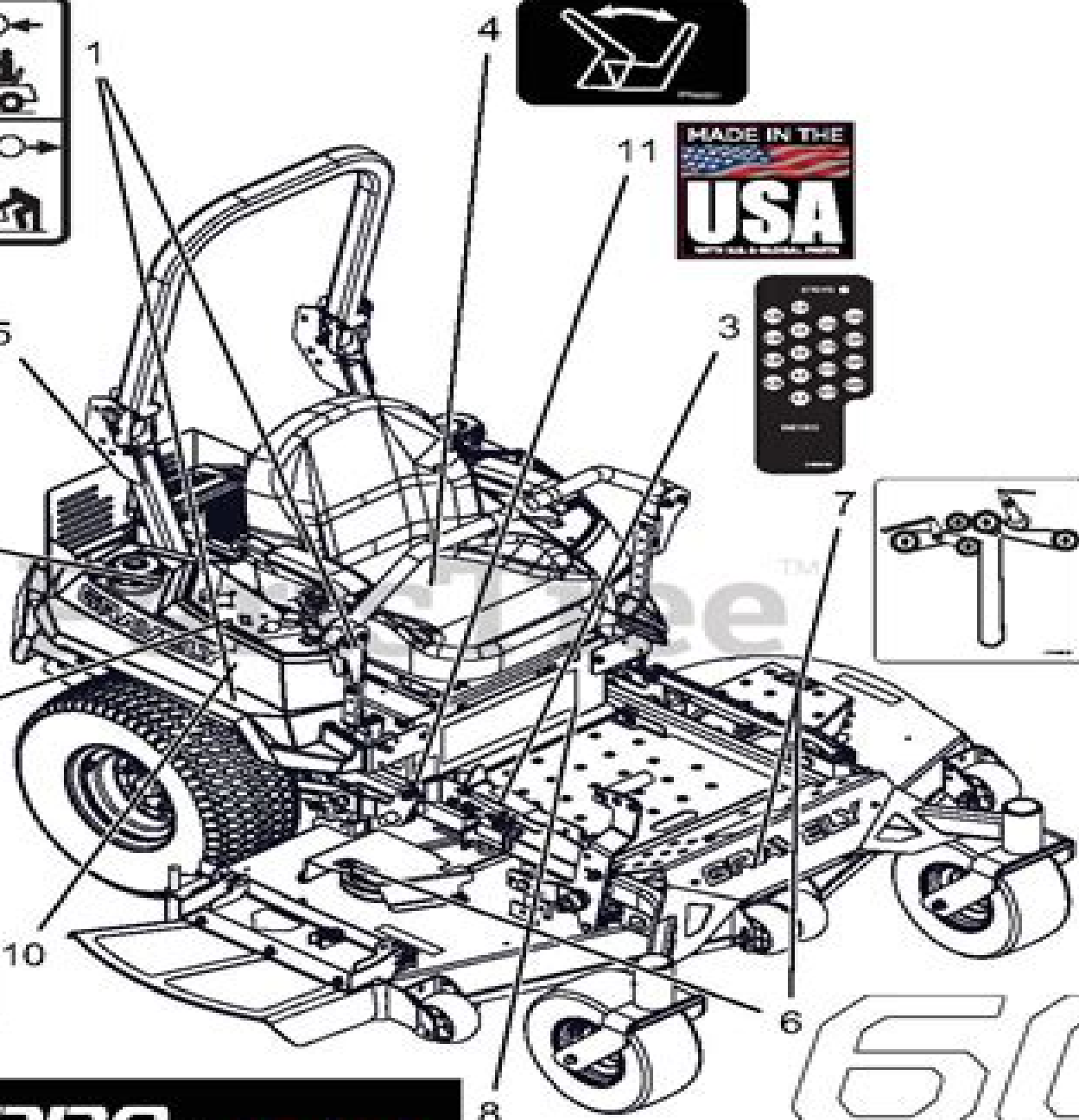
MADE IN THE
USA



20A ENGINE FUSE	20B STARTER FUSE	
15A CONTROL FUSE	15B FWD FUSE	15A REARWARD FUSE

PRO-TURN 60

60



Gravely Zero Turn Mower Manual

Anthony S. Fauci



Gravely Zero Turn Mower Manual:

Farmers and Consumers Market Bulletin ,2011 **The Tractor Field Book** ,1941 **Thomas Register of American Manufacturers and Thomas Register Catalog File** ,2002 Vols for 1970 71 includes manufacturers catalogs
Metal Worker, Plumber and Steam Fitter ,1875 Thomas Register of American Manufacturers ,2002 This basic source for identification of U S manufacturers is arranged by product in a large multi volume set Includes Products services Company profiles and Catalog file **Sports Afield** ,1956 **Gravely User Manual** Gravely Tractors, Inc,1961
Gravely Convertible 10, Convertible 12 Owner's Manual Gravely,1974* **Gravely Operator's Manual 800 Series** Gravely,1978* **Gravely Operator's Manual 5000 Series Tractors** Gravely,1981* *Gravely Shop Manual* ,1979
Gravely Shop Manual ,1974 *Gravely 500/5000 Series Convertible Tractors Shop Manual* Gravely,1979* *Riding Lawn Mower Service Manual Volume 1* Penton Staff,2000-05-24 Service and maintenance procedures for riding mowers manufactured prior to 1992 Gravely Operator's Manual 8000 Series Consumer Grounds Maintenance Tractors Gravely,1978* **Walk-Behind Lawn Mower Ed 5** Penton Staff,2000-05-24 Service and maintenance procedures for walk behind mowers Riding Lawn Mower Service Manual Intertec Publishing Corporation,1989 Contains repair information for riding lawn mowers **Riding Lawn Mower Service Manual** Intertec Publishing Corporation Staff,1989-03-01
Riding Lawn Mower Service Manual Intertec Publishing Staff,Intertec Publishing,1989-03 **Scag Hydrostatic: Commercial Walk-Behind Mowers, 1990 & Later (Lawn Mower)** Penton Staff,2000-05-24 Scag commercial walk behind mowers produced from 1990 2003 manual

Delve into the emotional tapestry woven by Emotional Journey with in Dive into the Emotion of **Gravely Zero Turn Mower Manual** . This ebook, available for download in a PDF format (Download in PDF: *), is more than just words on a page; it's a journey of connection and profound emotion. Immerse yourself in narratives that tug at your heartstrings. Download now to experience the pulse of each page and let your emotions run wild.

https://staging.conocer.cide.edu/About/Resources/fetch.php/igem_up_1edition_2.pdf

Table of Contents Gravely Zero Turn Mower Manual

1. Understanding the eBook Gravely Zero Turn Mower Manual
 - The Rise of Digital Reading Gravely Zero Turn Mower Manual
 - Advantages of eBooks Over Traditional Books
2. Identifying Gravely Zero Turn Mower Manual
 - Exploring Different Genres
 - Considering Fiction vs. Non-Fiction
 - Determining Your Reading Goals
3. Choosing the Right eBook Platform
 - Popular eBook Platforms
 - Features to Look for in an Gravely Zero Turn Mower Manual
 - User-Friendly Interface
4. Exploring eBook Recommendations from Gravely Zero Turn Mower Manual
 - Personalized Recommendations
 - Gravely Zero Turn Mower Manual User Reviews and Ratings
 - Gravely Zero Turn Mower Manual and Bestseller Lists
5. Accessing Gravely Zero Turn Mower Manual Free and Paid eBooks
 - Gravely Zero Turn Mower Manual Public Domain eBooks
 - Gravely Zero Turn Mower Manual eBook Subscription Services
 - Gravely Zero Turn Mower Manual Budget-Friendly Options

6. Navigating Gravelly Zero Turn Mower Manual eBook Formats
 - ePub, PDF, MOBI, and More
 - Gravelly Zero Turn Mower Manual Compatibility with Devices
 - Gravelly Zero Turn Mower Manual Enhanced eBook Features
7. Enhancing Your Reading Experience
 - Adjustable Fonts and Text Sizes of Gravelly Zero Turn Mower Manual
 - Highlighting and Note-Taking Gravelly Zero Turn Mower Manual
 - Interactive Elements Gravelly Zero Turn Mower Manual
8. Staying Engaged with Gravelly Zero Turn Mower Manual
 - Joining Online Reading Communities
 - Participating in Virtual Book Clubs
 - Following Authors and Publishers Gravelly Zero Turn Mower Manual
9. Balancing eBooks and Physical Books Gravelly Zero Turn Mower Manual
 - Benefits of a Digital Library
 - Creating a Diverse Reading Collection Gravelly Zero Turn Mower Manual
10. Overcoming Reading Challenges
 - Dealing with Digital Eye Strain
 - Minimizing Distractions
 - Managing Screen Time
11. Cultivating a Reading Routine Gravelly Zero Turn Mower Manual
 - Setting Reading Goals Gravelly Zero Turn Mower Manual
 - Carving Out Dedicated Reading Time
12. Sourcing Reliable Information of Gravelly Zero Turn Mower Manual
 - Fact-Checking eBook Content of Gravelly Zero Turn Mower Manual
 - Distinguishing Credible Sources
13. Promoting Lifelong Learning
 - Utilizing eBooks for Skill Development
 - Exploring Educational eBooks
14. Embracing eBook Trends
 - Integration of Multimedia Elements

- Interactive and Gamified eBooks

Gravelly Zero Turn Mower Manual Introduction

In this digital age, the convenience of accessing information at our fingertips has become a necessity. Whether its research papers, eBooks, or user manuals, PDF files have become the preferred format for sharing and reading documents. However, the cost associated with purchasing PDF files can sometimes be a barrier for many individuals and organizations. Thankfully, there are numerous websites and platforms that allow users to download free PDF files legally. In this article, we will explore some of the best platforms to download free PDFs. One of the most popular platforms to download free PDF files is Project Gutenberg. This online library offers over 60,000 free eBooks that are in the public domain. From classic literature to historical documents, Project Gutenberg provides a wide range of PDF files that can be downloaded and enjoyed on various devices. The website is user-friendly and allows users to search for specific titles or browse through different categories. Another reliable platform for downloading Gravelly Zero Turn Mower Manual free PDF files is Open Library. With its vast collection of over 1 million eBooks, Open Library has something for every reader. The website offers a seamless experience by providing options to borrow or download PDF files. Users simply need to create a free account to access this treasure trove of knowledge. Open Library also allows users to contribute by uploading and sharing their own PDF files, making it a collaborative platform for book enthusiasts. For those interested in academic resources, there are websites dedicated to providing free PDFs of research papers and scientific articles. One such website is Academia.edu, which allows researchers and scholars to share their work with a global audience. Users can download PDF files of research papers, theses, and dissertations covering a wide range of subjects. Academia.edu also provides a platform for discussions and networking within the academic community. When it comes to downloading Gravelly Zero Turn Mower Manual free PDF files of magazines, brochures, and catalogs, Issuu is a popular choice. This digital publishing platform hosts a vast collection of publications from around the world. Users can search for specific titles or explore various categories and genres. Issuu offers a seamless reading experience with its user-friendly interface and allows users to download PDF files for offline reading. Apart from dedicated platforms, search engines also play a crucial role in finding free PDF files. Google, for instance, has an advanced search feature that allows users to filter results by file type. By specifying the file type as "PDF," users can find websites that offer free PDF downloads on a specific topic. While downloading Gravelly Zero Turn Mower Manual free PDF files is convenient, its important to note that copyright laws must be respected. Always ensure that the PDF files you download are legally available for free. Many authors and publishers voluntarily provide free PDF versions of their work, but its essential to be cautious and verify the authenticity of the source before downloading Gravelly Zero Turn Mower Manual. In conclusion, the internet offers numerous platforms and websites that allow users to download free PDF files legally. Whether its classic

literature, research papers, or magazines, there is something for everyone. The platforms mentioned in this article, such as Project Gutenberg, Open Library, Academia.edu, and Issuu, provide access to a vast collection of PDF files. However, users should always be cautious and verify the legality of the source before downloading Gravelly Zero Turn Mower Manual any PDF files. With these platforms, the world of PDF downloads is just a click away.

FAQs About Gravelly Zero Turn Mower Manual Books

How do I know which eBook platform is the best for me? Finding the best eBook platform depends on your reading preferences and device compatibility. Research different platforms, read user reviews, and explore their features before making a choice. Are free eBooks of good quality? Yes, many reputable platforms offer high-quality free eBooks, including classics and public domain works. However, make sure to verify the source to ensure the eBook credibility. Can I read eBooks without an eReader? Absolutely! Most eBook platforms offer web-based readers or mobile apps that allow you to read eBooks on your computer, tablet, or smartphone. How do I avoid digital eye strain while reading eBooks? To prevent digital eye strain, take regular breaks, adjust the font size and background color, and ensure proper lighting while reading eBooks. What the advantage of interactive eBooks? Interactive eBooks incorporate multimedia elements, quizzes, and activities, enhancing the reader engagement and providing a more immersive learning experience. Gravelly Zero Turn Mower Manual is one of the best book in our library for free trial. We provide copy of Gravelly Zero Turn Mower Manual in digital format, so the resources that you find are reliable. There are also many Ebooks of related with Gravelly Zero Turn Mower Manual. Where to download Gravelly Zero Turn Mower Manual online for free? Are you looking for Gravelly Zero Turn Mower Manual PDF? This is definitely going to save you time and cash in something you should think about.

Find Gravelly Zero Turn Mower Manual :

igem up 1 edition 2

igcse june 2013 mark scheme

[ih b250 workshop manual](#)

[ignition wiring diagram 87 4cyl 2 3 mustang](#)

[ih international 430 440 baler owner ops instruction manual](#)

ih 674 diesel manual

igcse grade 7 maths test paper

igcse topical questions

[ilp template queensland](#)

[ih mccormick farmall cub tractor illustrated parts catalog improved](#)

[ih case david brown 1390 1394 1490 1494 tractor repair service shop manual](#)

[ilive clock radio icp101b manual](#)

igcse chemistry guide cambridge

[igcse english language core grade boundaries 2015 pixl](#)

[ign holiday guide 21](#)

Gravelly Zero Turn Mower Manual :

[issn 1139 0107 issn 2254 6367 memoria y civilizaciÓn - Apr 04 2023](#)

[web la primera expansión del opus dei durante los años 1939 y 1940 madrid rialp 2018 382p isbn 978 84 321 5039 5 23 00](#)

[siglas prólogo de josé luis illanes presentación i](#)

[pdf onésimo díaz posguerra la primera expansión del opus dei - Sep 09 2023](#)

[web pdf on nov 25 2019 juan manuel matés barco published onésimo díaz posguerra la primera expansión del opus dei](#)

[durante los años 1939 y 1940 find read and cite all the research you](#)

posguerra la primer expansión del opus dei durante los años 1939 - May 25 2022

[web posguerra la primer expansión del opus dei durante los años 1939 y 1940 onésimo díaz hernández scepter publishers](#)

[papel 396 páginas isbn 9788432150395 order from scepter description description el autor analiza la primera expansión del](#)

[opus dei en la residencia de estudiantes de la calle jenner de madrid y los primeros viajes a](#)

[publication of posguerra la primera expansion del opus dei durante los - Jun 06 2023](#)

[web onésimo díaz professor at the university of navarra has published posguerra la primera expansión del opus dei durante](#)

[los años 1939 y 1940 post war the first expansion of opus dei during the years 1939 and 1940 the book published by rialp](#)

[focuses on two intense years in the life of the institution founded by st josemaría escrivá](#)

[posguerra la primera expansión del opus dei 1939 1940 - Mar 23 2022](#)

[web posguerra la primera expansión del opus dei 1939 1940 ajouter 12 99 description posguerra la primera expansión del](#)

[opus dei 1939 1940 tras la guerra civil española el fundador del opus dei visita las ruinas de la residencia de estudiantes dya](#)

[en la calle ferraz de madrid solo cuenta con ese](#)

[posguerra la primera expansión del opus dei durante los años 1939 - Oct 10 2023](#)

[web dec 21 2018 el profesor de la universidad de navarra onésimo díaz acaba de publicar una obra titulada posguerra la](#)

primera expansión del opus dei durante los años 1939 y 1940 que según su autor trata de un periodo apasionante y apasionado de la historia española el libro muestra dos años intensos de la vida de la institución fundada por

posguerra la primera expansion del opus la primera expansión del opus - Feb 02 2023

web es el momento de recomenzar el autor analiza la primera expansión del opus dei en la residencia de estudiantes de la calle jenner de madrid y los primeros viajes a barcelona zaragoza y valencia valladolid salamanca y bilbao san sebastián granada murcia gijón y oviedo durante los años 1939 y 1940

posguerra la primera expansión del opus dei 1939 1940 - Apr 23 2022

web biografía del autor tras la guerra civil española el fundador del opus dei visita las ruinas de la residencia de estudiantes dya en la calle ferraz de madrid solo cuenta con ese inmueble con catorce hombres y dos mujeres y una misión que apenas ha cumplido diez años de vida es el momento de recomenzar

posguerra la primera expansion del opus dei durante los años 1939 - Jun 25 2022

web sinopsis de posguerra la primera expansion del opus dei durante los años 1939 y 1940 tras la guerra civil española el fundador del opus dei visita las ruinas de la residencia de estudiantes dya en la calle ferraz de madrid solo cuenta con ese inmueble con catorce hombres y dos mujeres y una misión que apenas ha cumplido

onésimo díaz posguerra la primera expansión del opus dei durante los - Sep 28 2022

web la primera expansión del opus dei durante los años 1939 y 1940 madrid rialp 2018 382 págs doi doi org 10 24197 ihemc 39 2019 811 814

posguerra un nuevo libro de onésimo díaz isje - Aug 28 2022

web jan 21 2019 posguerra la primera expansión del opus dei durante los años 1939 y 1940 madrid rialp 2018 382 págs 160 x 240 mm isbn 978 84 321 5039 5 23 00 onésimo díaz es doctor en historia contemporánea por la universidad del país vasco y en historia de la iglesia por la universidad de la santa cruz roma

posguerra la primera expansión del opus dei 1939 1940 rialp - Jul 07 2023

web nov 1 2018 posguerra la primera expansión del opus dei 1939 1940 ediciones rialp colección libros sobre el opus dei materia cristianismo idioma castellano ean 9788432150395 isbn 978 84 321 5039 5 páginas 396 ancho 16 cm alto 24 cm peso 660 g edición 1 fecha publicación 01 11 2018 onésimo díaz hernández posguerra

posguerra la primera expansión del opus dei 1939 1940 díaz - Jul 27 2022

web nov 1 2018 posguerra la primera expansión del opus dei 1939 1940 díaz hernández onésimo on amazon com free shipping on qualifying offers posguerra la primera expansión del opus dei 1939 1940

onésimo d Íaz posguerra la primera expansión del opus dei durante los - Nov 30 2022

web onésimo d Íaz posguerra la primera expansión del opus dei durante los años 1939 y 1940 madrid rialp colección de

monografías instituto storico san josemaría escrivá 2018 382 pp 16 x 24 isbn 978 84 321 5039 5 onésimo díaz posguerra

la tarea de hacer el opus dei era un imposible humanamente - Oct 30 2022

web jan 26 2019 la primera expansión del opus dei durante los años 1939 y 1940 de onésimo díaz profesor de historia de la universidad de navarra e investigador del cedej centro de documentación y estudios josemaría escrivá de balaguer 26 01

2019 fbook twitt email print epub

posguerra a new book by onésimo díaz isje - Mar 03 2023

web jan 21 2019 onésimo díaz posguerra la primera expansión del opus dei durante los años 1939 y 1940 madrid rialp 2018 382 pages 160 x 240 mm isbn 978 84 321 5039 5 23 00 onésimo díaz holds a phd in contemporary history from the university of the basque country and a phd in church history from the university of the holy cross rome

posguerra la primera expansión del opus dei 1939 1940 - May 05 2023

web nov 1 2018 posguerra la primera expansión del opus dei 1939 1940 onésimo díaz hernández ediciones rialp nov 1 2018 history 396 pages tras la guerra civil española el fundador del

onésimo díaz posguerra la primera expansión del opus dei durante los - Aug 08 2023

web nov 25 2019 onésimo díaz posguerra la primera expansión del opus dei durante los años 1939 y 1940 autores as juan manuel matés barco universidad de matés barco j m 2019 onésimo díaz posguerra la primera expansión del opus dei durante los años 1939 y 1940 investigaciones históricas Época moderna y contemporánea 39

posguerra la primera expansión del opus dei 1939 1940 - Feb 19 2022

web el autor analiza la primera expansión del opus dei en la residencia de estudiantes de la calle jenner de madrid y los primeros viajes a barcelona zaragoza y valencia valladolid salamanca y bilbao san sebastián granada murcia gijón y oviedo durante los años 1939 y 1940 el autor onésimo díaz onésimo díaz es doctor en historia

onésimo d posguerra la primera expansión del opus dei durante los - Jan 01 2023

web universidad de navarra onésimo díaz posguerra la primera expansión del opus dei durante los años 1939 y 1940 rialp madrid 2018 382 pp onésimo díaz es doctor en historia con temporánea por la universidad del país vasco y en historia de la iglesia por la pontificia universidad de la santa cruz roma e investigador del centro de do

pdf gehirn und nervensystem woraus sie bestehen wie s - Mar 28 2022

web gehirn und nervensystem woraus sie bestehen wie s leichtfassliche anfangsgrunde der naturgeschichte des mineralreiches mar 07 2021 règle artificelle du tems unterricht von der eintheilung der zeit und verschiedener einrichtung groser und kleiner uhren mit nöthigen figuren und tabellen aus dem französischen übersetzt von antoine

gehirn biologie schule de - Nov 04 2022

web das gehirn griech enkephalos ist das wohl komplexeste organ des menschlichen körpers im kopf liegt das etwa 1 3kg

schwere walnussförmige gehirn umgeben von den stabilen schädelknochen die es vor äußeren einflüssen schützen sollen als teil des zentralnervensystems ist das gehirn die zentrale schaltstelle für alle im körper

nerven störungen der hirn rückenmarks und nervenfunktion - Jan 06 2023

web das system besteht aus nerven die gehirn und rückenmark mit bewusst steuerbaren muskeln skelettmuskulatur und mit sensorischen rezeptoren in der haut verbinden sensorische rezeptoren sind spezialisierte nervenendigungen die informationen im körper und um ihn herum wahrnehmen vegetatives nervensystem

Übersicht des nervensystems störungen der hirn rückenmarks und - Feb 07 2023

web das nervensystem besteht aus zwei eigenständigen teilen dem zentralen nervensystem das gehirn und das rückenmark und dem peripheren nervensystem die nerven außerhalb des gehirns und des rückenmarks das grundelement des nervensystems ist die nervenzelle neuron

gehirn und nervensystem woraus sie bestehen wie sie - May 30 2022

web may 29 2023 gehirn und nervensystem woraus sie bestehen wie sie funktionieren was sie leisten by spektrum akademischer verlag rückenmarkhäute und liquorraum gehirn und rückenmark brauchen besonderen schutz das zentrale nervensystem besteht aus gehirn und rückenmark es ist sehr empfindlich

gehirn und nervensystem woraus sie bestehen wie s pdf - Aug 01 2022

web 2 gehirn und nervensystem woraus sie bestehen wie s 2022 03 15 gewerbe und hilfswissenschaften schlütersche dieser band versammelt beiträge aus der kulturwissenschaft medientheorie linguistik und philosophie kunst und literaturwissenschaft mit einem schwerpunkt in der germanistischen mediävistik

gehirn nervensystem woraus bestehen zvab - Dec 05 2022

web gehirn und nervensystem woraus sie bestehen wie sie funktionieren was sie leisten verständliche forschung ein spektrum der wissenschaft buch verlag weinheim spektrum der wissenschaft verlagsgesellschaft 1987

nervensystem funktion aufbau bedeutung studysmarter - Jun 11 2023

web dabei wird zwischen dem zentralnervensystem zns und dem peripheren nervensystem pns unterschieden zentrales nervensystem das zentrale nervensystem zns setzt sich aus zwei komponenten zusammen dem gehirn und dem rückenmark wie der name schon sagt werden die zentralen informationen im zns verarbeitet

gehirn und nervensystem woraus sie bestehen wie s full pdf - Feb 24 2022

web inhalts bersicht nervengewebe ursprung entwicklung und differenzierung zentrales cerebrospinales nervensystem r ckenmark medulla spinalis gehirn encephalon neuronale regelkreise sinnesbahnen peripheres cerebrospinales nervensystem hirnerven spinalnerven autonomes nervensystem peripheres autonomes

wie funktioniert das nervensystem gesundheitsinformation de - Apr 09 2023

web das nervensystem umfasst alle nervenzellen des menschlichen körpers mit ihm kommuniziert er mit der umwelt und steuert gleichzeitig vielfältige mechanismen im inneren das nervensystem nimmt sinnesreize auf verarbeitet sie und löst reaktionen wie muskelbewegungen oder schmerzempfindungen aus

[gehirn und nervensystem woraus sie bestehen wie s](#) - Jul 12 2023

web gehirn und nervensystem woraus sie bestehen wie s erkenntnis konstruktivismus systemtheorie apr 11 2022

konstruktivismus ist die these daß realität im auge des beobachters entsteht beobachter sind sozialsysteme wissenschaftliche beobachtungen sind erkenntnisoperationen sie dienen der

gehirn und nerven gesundheitsinformation de - Mar 08 2023

web gehirn und nerven Über das nervensystem empfängt das gehirn sinneseindrücke und informationen aus dem körper verarbeitet sie und schickt botschaften in alle körperbereiche zurück

[free gehirn und nervensystem woraus sie bestehen wie s](#) - May 10 2023

web gehirn und nervensystem woraus sie bestehen wie s von den ur theilen des knochen und schalengerüstes apr 27 2020

anatomie tiere die gall sche hirn schedel und organenlehre vom gesichtspunkte der erfahrung aus beurtheilt und widerlegt

nov 22 2019 leipziger literaturzeitung mar 07 2021

pdf gehirn und nervensystem woraus sie bestehen wie s - Apr 28 2022

web gehirn und nervensystem woraus sie bestehen wie s text reality jun 24 2020 delo odpira nekatere temeljne dileme razmerja med resničnostjo in njenim ubesedovanjem osvetlili so jih strokovnjaki različnih disciplin ki jih povezuje temeljno semiotično stališče o

nerven aufbau funktion krankheiten medlexi de - Jun 30 2022

web die gesamtheit aller nervenzellen neuronen und gliazellen isolation und verbindung der neuronen wird als nervensystem bezeichnet gehirn und rückenmarkt bilden das zentrale nervensystem zns alle nerven außerhalb des zns gehören zum peripheren nervensystem pns die einfachsten nerven sind unipolare nerven einfache

[gehirn und nervensystem woraus sie bestehen wie sie](#) - Oct 03 2022

web nervensystem der fische tiere online de gehirn und nervensystem woraus sie bestehen wie sie biologie nervensystem

gostudent nervenknoten was ist das und woraus bestehen sie 7 5 aufbau und funktion des nervensystems neurobiologie

woraus besteht der menschliche körper überwiegend

gehirn und nervensystem woraus sie bestehen wie sie zwab - Sep 02 2022

web gehirn und nervensystem woraus sie bestehen wie sie funktionieren was sie leisten beim zwab com isbn 10 3922508219

isbn 13 9783922508212 softcover

[nervensystem wikipedia](#) - Sep 14 2023

web das nervensystem des menschen gliedert sich in das zentrale nervensystem mit rückenmark und gehirn das periphere nervensystem das alle nerven umfasst die eine verbindung zwischen zentralem nervensystem und körperperipherie schaffen z b sinnesorgane muskeln sowie das autonome nervensystem

gehirn anteile aufbau funktionen und krankheitsbilder kenhub - Aug 13 2023

web oct 30 2023 Über diese verbindung kann es mit dem rest des körpers in wechselwirkung treten gemeinsam mit dem rückenmark wird das gehirn zum zentralen nervensystem gezählt das gehirn besteht aus vielen komponenten die alle miteinander kommunizieren interagieren und als große einheit funktionieren

nervensystem mensch aufbau und unterteilung mit video - Oct 15 2023

web es besteht aus zwei teilen dem zentralen nervensystem gehirn rückenmark dem peripheren nervensystem peripherie z b nerven in den händen beinen etc gemeinsam sind die beiden teile für die Übertragung von informationen und für die koordination der körperfunktionen z b atmung verdauung muskelbewegungen

[giving out all ib past papers 1995 2013 page 3 xtremepapers](#) - Jun 30 2022

web mar 20 2014 i am currently giving out all ib past papers 1995 2013 ib questionbank math physics chemistry biology v1 v2 v3 i need english a2 language and

cambridge igcse chemistry 0620 31 mark scheme may jun - Jan 06 2023

web chemistry 0620 31paper 3 theory extended mark scheme may june 2013igcse cambridge international examination view full screen mark scheme of cambridge

[chemistry paper 3 tz1 hl markscheme pdf scribd](#) - Apr 09 2023

web chemistry paper 3 tz1 hl markscheme free download as pdf file pdf text file txt or view presentation slides online

may 2013 chemistry higher level paper 3 - Oct 15 2023

web the order of marking points does not have to be as in the markscheme unless stated otherwise 7 if the candidate s answer has the same meaning or can be clearly

markscheme may 2018 chemistry standard level paper 3 - Oct 03 2022

web of 22 m18 4 chemi sp3 eng tz1 xx m markscheme may 2018 chemistry standard level paper 3 22 pages f 2 m18 4 chemi sp3 eng tz1 xx m this markscheme is the

may june 2013 igcse chemistry paper sc query - Jul 12 2023

web may june 2013 igcse chemistry paper sc query may june 2013 s13 past papers for igcse chemistry

markscheme a1chemistry - Jan 26 2022

web a CH_3COCH_3 and $\text{CH}_3\text{CH}_2\text{CHO}$ 1 accept full or condensed structural formulas ignore incorrect names as long as structures are correct b same similar types of bonds

may 2015 chemistry higher level paper 3 papacambridge - Mar 08 2023

web m15 4 chemi hp3 eng tz1 xx m 22 pages markscheme may 2015 chemistry higher level paper 3

markscheme a1chemistry - Apr 28 2022

web only this compound has h atoms in 3 different chemical environments owtte only this compound has protons in ratio 3 2
1 in each environment owtte only this compound

markscheme free exam papers - Jun 11 2023

web this is intentional each marking point has a separate line and the end is shown by means of a semicolon an alternative
answer or wording is indicated in the markscheme by a

sec 3 express chemistry sa1 2017 free test papers - Mar 28 2022

web nov 5 2023 2017 secondary exam papers 2017 secondary 3 express chemistry sec 3 express chemistry sa1 2017 st
patrick s school search november 13 2023

may 2018 chemistry standard level paper 3 - May 30 2022

web markscheme may 2018 chemistry standard level paper 3 this markscheme is the property of the international
baccalaureate and must not be reproduced or distributed to

markscheme freeexampapers com - Sep 14 2023

web standard level paper 3 21 pages this markscheme is confidential and for the exclusive use of examiners in this
examination session it is the property of the international

markscheme freeexampapers com - May 10 2023

web m13 4 chemi hpm eng tz1 xx m 2 pages markscheme may 2013 chemistry higher level paper 1

[solution chemistry paper 3 tz1 hl markscheme studypool](#) - Feb 07 2023

web this markscheme is confidential and for the exclusive use of it is the property of the international baccalaureate and
must not solution chemistry paper 3 tz1 hl

may 2013 chemistry higher level paper 3 archive org - Feb 24 2022

web may 2013 chemistry higher level paper 3 2 for unless directed otherwise in the markscheme do not award a mark for a
correct name 12 3ch2cho contains peak

markscheme free exam papers - Dec 05 2022

web accept balanced equation $c_6h_{12}o_6 \rightarrow 2c_2h_3c_2o_2 + 2c_3h_4o_3 + 2h_2o$ involving pyruvate ions or pyruvic acid aerobic
respiration pyruvate ions $c_3h_3o_3$ pyruvic

chemistry candidate session number standard level - Aug 13 2023

web chemistry standard level paper 3 instructions to candidates write your session number in the boxes above do not open

this examination paper until

download free chemistry paper 3 2013 tz1 may markscheme - Sep 02 2022

web chemistry paper 3 2013 tz1 may markscheme media constrained by context aug 14 2021 this books draws a comparative balance of twenty years international media

may 2019 chemistry standard level paper 3 - Aug 01 2022

web markscheme may 2019 chemistry standard level paper 3 2 m19 4 chemi sp3 eng tz1 xx m no part of this product may be reproduced in any

sec3 express chemistry the learning space - Nov 04 2022

web 2017 sec 3 express chemistry sa1 assumption english school 2017 bedok view sa1 2017 sec 3 express chemistry sa1 bedok view secondary 2017 we provide the