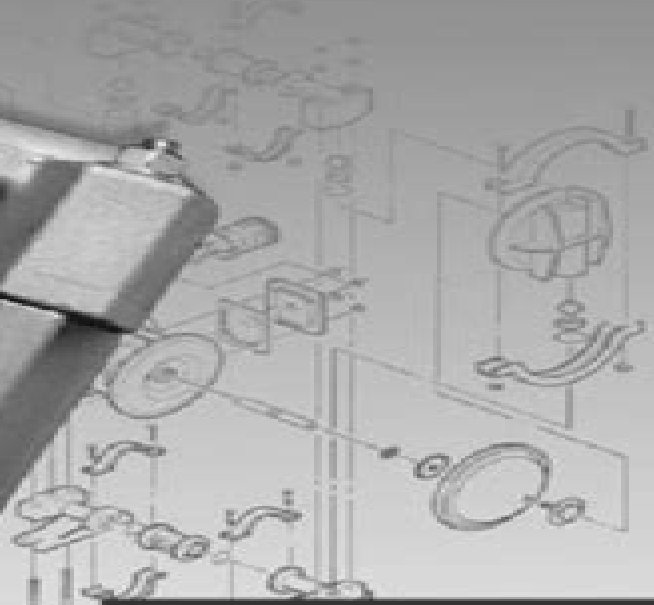
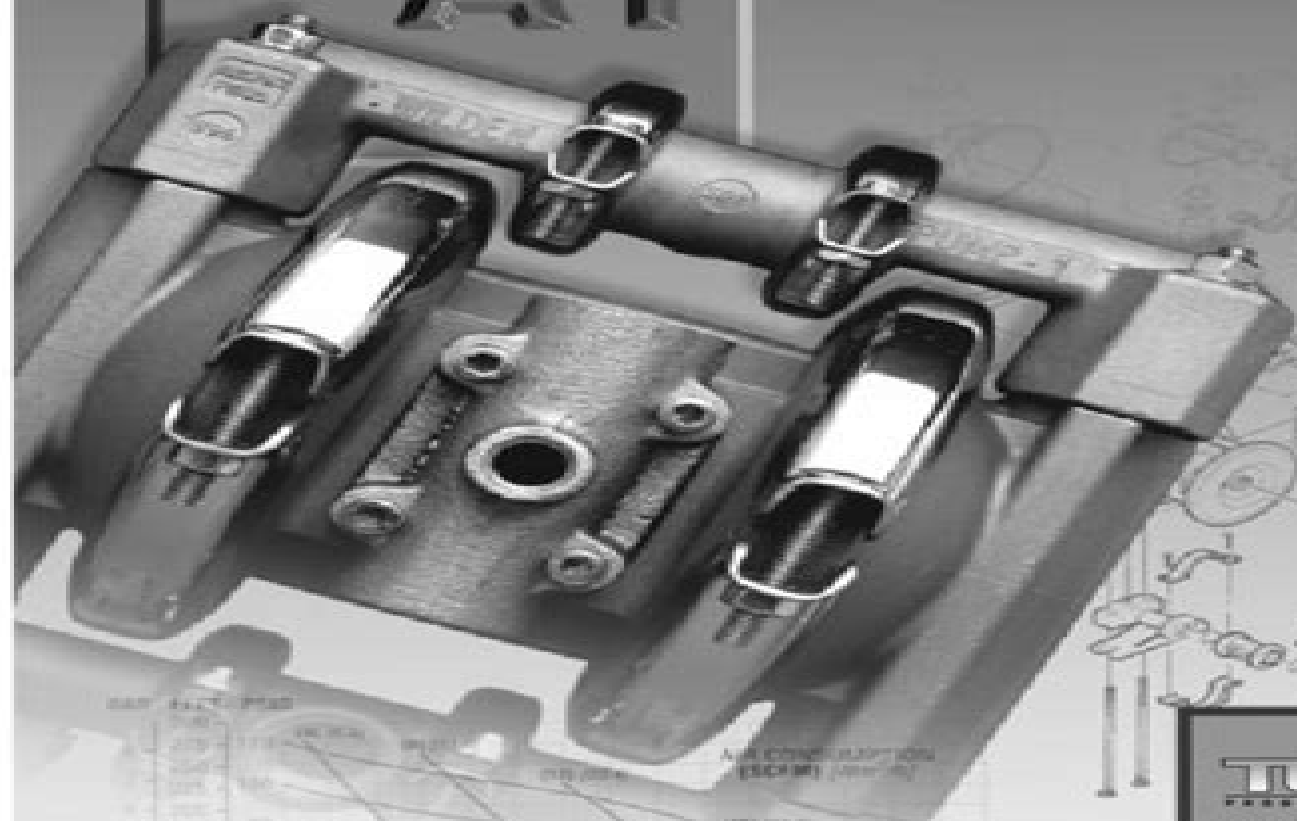


T1
A1

Engineering
Operation &
Maintenance



WILDEN

AIR OPERATED DOUBLE DIAPHRAGM PUMPS

A DOVER RESOURCE COMPANY

1 800 368 3333 (USA) 001 314 231 2333 (CAN) 001 314 231 2333 (UK) 001 314 231 2333 (JPN)

TURBOFLO
PRESSURE PUMP TECHNOLOGY

ACCUFLO
PRECISE FLOW TECHNOLOGY

**Metal
Pumps**

M2 1pumping System Manual

L Darling-Hammond



M2 1pumping System Manual:

The Passivhaus Designer's Manual Christina Hopfe, Robert McLeod, 2015-10-05 Passivhaus is the fastest growing energy performance standard in the world with almost 50 000 buildings realised to date Applicable to both domestic and non domestic building types the strength of Passivhaus lies in the simplicity of the concept As European and global energy directives move ever closer towards Zero fossil Energy standards Passivhaus provides a robust fabric first approach from which to make the next step The Passivhaus Designers Manual is the most comprehensive technical guide available to those wishing to design and build Passivhaus and Zero Energy Buildings As a technical reference for architects engineers and construction professionals The Passivhaus Designers Manual provides State of the art guidance for anyone designing or working on a Passivhaus project In depth information on building services including high performance ventilation systems and ultra low energy heating and cooling systems Holistic design guidance encompassing daylight design ecological materials thermal comfort indoor air quality and economics Practical advice on procurement methods project management and quality assurance Renewable energy systems suitable for Passivhaus and Zero Energy Buildings Practical case studies from the UK USA and Germany amongst others Detailed worked examples to show you how it s done and what to look out for Expert advice from 20 world renowned Passivhaus designers architects building physicists and engineers Lavishly illustrated with nearly 200 full colour illustrations and presented by two highly experienced specialists this is your one stop shop for comprehensive practical information on Passivhaus and Zero Energy buildings [A User's Guide to Vacuum Technology](#) John F. O'Hanlon, 2005-02-18 In the decade and a half since the publication of the Second Edition of A User s Guide to Vacuum Technology there have been many important advances in the field including spinning rotor gauges dry mechanical pumps magnetically levitated turbo pumps and ultraclean system designs These along with improved cleaning and assembly techniques have made contamination free manufacturing a reality Designed to bridge the gap in both knowledge and training between designers and end users of vacuum equipment the Third Edition offers a practical perspective on today s vacuum technology With a focus on the operation understanding and selection of equipment for industrial processes used in semiconductor optics packaging and related coating technologies A User s Guide to Vacuum Technology Third Edition provides a detailed treatment of this important field While emphasizing the fundamentals and touching on significant topics not adequately covered elsewhere the text avoids topics not relevant to the typical user *Field Manuals* United States. War Department, 1979-12 , **Working Guide to Pump and Pumping Stations** E. Shashi Menon, 2009-10-21 Working Guide to Pumps and Pumping Stations Calculations and Simulations discusses the application of pumps and pumping stations used in pipelines that transport liquids It provides an introduction to the basic theory of pumps and how pumps are applied to practical situations using examples of simulations without extensive mathematical analysis The book begins with basic concepts such as the types of pumps used in the industry the properties of liquids the performance curve and the Bernoullis

equation It then looks at the factors that affect pump performance and the various methods of calculating pressure loss in piping systems This is followed by discussions of pump system head curves applications and economics of centrifugal pumps and pipeline systems and pump simulation using the software PUMPCALC In most cases the theory is explained and followed by solved example problems in both U S Customary System English and SI metric units Additional practice problems are provided in each chapter as further exercise This book was designed to be a working guide for engineers and technicians dealing with centrifugal pumps in the water petroleum oil chemical and process industries Calculations for their selection sizing and power output Case studies based on the author s 35 years of field experience Covers all types of pumps Simplified models and simulations

Operator's, Organizational, Direct Support, and General Support Maintenance Manual for Power Supply, Hydraulic/electric, Portable ,1990 **Manuals Combined: 150+ U.S. Army Navy Air Force Marine Corps Generator Engine MEP APU Operator, Repair And Parts Manuals** , Over 36 000 total pages Just a SAMPLE of the CONTENTS by File Number and TM Number 013511 TM 5 6115 323 24P 4 GENERATOR SET GASOLINE ENGINE DRIVEN SKID MOUNTED TUBULAR FRAME 1 5 K SINGLE PHASE AC 120 240 V 28 VDC LESS ENGINE DOD MODELS MEP 015A 60 HZ NSN 6115 00 889 1446 AND DOD MODEL MEP 025A 28 VDC 6115 00 017 8236 TO 35C2 3 385 4 SL 4 07609A 07610A 013519 TM 5 6115 329 25P 1 GENERATOR SET GASOLINE ENGINE DR LESS ENGINE 0 5 KW AC 120 240 V 60 HZ 1 PHASE DOD MODEL FSN 6115 923 4469 400 HZ MODEL MEP 019A 6115 940 7862 AN DC MODEL MEP 024A 6115 940 7867 TO 35C2 3 440 14 013537 TM 5 6115 457 12 7 GENERATOR SET ENGINE DRIVEN TACTICAL SKID MTD 100 KW 3 PHASE 4 WIRE 120 240 416 V DOD MODELS MEP 007A UTILITY CLASS 50 60 HZ NSN 6115 00 133 9101 MODEL MEP 106A PRECISE CLASS 50 60 H 6115 00 133 9102 MODEL MEP 116A PRECISE CLASS 400 KW 6115 00 133 9103 INCLUDING OPTIONAL KITS MODEL MEP 007 AWF WINTERIZATION KIT FUEL BURNING 6115 00 463 9082 MEP 007AWE WINTERIZATION KIT ELECTRIC 6115 00 463 9084 MODEL MEP 007A DUMMY LOAD KIT 6115 00 463 9086 AND MODEL MEP 007AWM WHEEL 013538 TM 5 6115 457 34 12 GENERATOR SET DIESEL ENGINE DRIVEN TACTICAL SKID 100 KW 3 PHASE 4 WIRE 120 208 AND 240 416 V DOD MODELS MEP0 UTILITY CLASS 50 60 HZ NSN 6115 00 133 9101 MODEL MEP106A CLASS 50 60 HZ 6115 00 133 9102 AND MODEL MEP116A PRECISE 400 HZ 6115 00 133 9103 INCLUDING OPTIONAL KITS DOD MODELS MEP007AWF WINTERIZATION KIT FUEL BURNING 6115 00 463 9082 MEP007AWE WINTERIZATION KIT ELECTRIC 6115 00 463 9084 MOD MEP007ALM DUMMY LOAD KIT 6115 00 463 9086 AND MODEL MEP007A MOUNTING KIT 6 013540 TM 5 6115 458 24P 9 GENERATOR SET DIESEL ENGINE DRIVEN TACTICAL SKID MTD 2 KW 3 PHASE 4 WIRE 120 208 AND 240 416 VOLTS DOD MODELS MEP009A UTILITY CLASS 50 60 HZ NSN 6115 00 133 9104 AND MODEL MEP108A PRECISE CLASS 50 60 HZ 6115 00 935 8729 INCLUDING OPTIONAL K DOD MODELS MEP009AWF WINTERIZATION KIT FUEL BURNING 6115 00 403 3761 MODEL MEP009AWE WINTERIZATION KIT ELECTRIC 6115 00 489 7285 013545 TM 5 6115 465 12 19 GENERATOR DIESEL ENGINE DRIVEN

TACTICAL SKID MTD 30 KW 3 PHASE 4 WIRE 120 208 AND 240 416 V DOD MODEL MEP 005A UTILITY CLASS 50 6 NSN 6115 00 118 1240 MODEL MEP 104A PRECISE CLASS 50 60 6115 00 118 1247 MODEL MEP 114A PRECISE CLASS 400 HZ 6115 00 118 1248 INCLUDING AUXILIARY EQUIPMENT DOD MODEL MEP WINTERIZATION KIT FUEL BURNING 6115 00 463 9083 MODEL MEP WINTERIZATION KIT ELECTRIC 6115 00 463 9085 MODEL MEP 005A LOAD BANK KIT 6115 00 463 9088 AND MODEL MEP 005AWM WH 013547 TM 5 6115 465 34 12 GENERATOR SET DIESEL ENGINE DRIVEN TACTIC SKID MTD 30 KW 3 PHASE 4 WIRE 120 208 AND 240 416 V DOD MO MEP 005A UTILITY 50 60 HZ NSN 6115 00 118 1240 MODEL MEP 104A PRECISE 50 60 HZ 6115 00 118 1247 MODEL MEP 114 PRECISE 50 60 HZ 6115 00 118 1248 INCLUDING OPTIONAL KITS MODEL MEP 005AWF WINTERIZATION KIT FUEL BURNING 6115 00 463 MODEL MEP 005AWE WINTERIZATION KIT ELECTRIC 6115 00 463 908 MODEL MEP 005ALM LOAD BANK KIT 6115 00 463 9088 MODEL MEP WHEEL MOUNTING KIT 6115 00 013548 TM 5 6115 545 12 18 GENERATOR DIESEL ENGINE DRIVEN TACTICAL SKID MTD 60 KW 3 PHASE 4 WIR 120 208 AND 240 416 VOLTS DOD MODEL MEP 006A UTILITY CLASS 5 NSN 6115 00 118 1243 DOD MODEL MEP 105A PRECISE CLASS 50 60 6115 00 118 1252 DOD MODEL MEP 115A PRECISE CLASS 400 HZ 6115 00 118 1253 INCLUDING OPTIONAL KITS DOD MODEL MEP006AWF WINTERIZATION KIT FUEL BURNING 6115 00 407 8314 DOD MODEL MEP006AWE WINTERIZATION KIT ELECTRIC 6115 00 455 7693 DOD M MEP006ALM LOAD BANK KIT 6115 00 407 8322 DOD MODEL MEP006 013550 TM 5 6115 545 34 12 INTERMEDIATE FIELD DIRECT AND GENERAL SUPPORT AND DEPOT MAINTENANCE MANUAL FOR GENERATOR SET DIESEL ENGINE DRIVEN TAC SKID MTD 60 KW 3 PHASE 4 WIRE 120 208 AND 240 416 VOLTS DOD MODELS MEP 006A UTILITY CLASS 50 60 HZ FSN 6115 118 1243 MEP 105A PRECISE CLASS 50 60 HZ 6115 118 1252 AND MEP 115A PRECISE CLASS 400 HZ 6115 118 1253 TO 35C2 3 444 2 NAVFAC P 8 626 34 TM 00038G 35 015378 TM 5 6115 323 14 10 GENERATOR GASOLINE ENGINE DRIVEN SKID MOUNTED TUBULAR FRAME 1 5 KW SI PHASE AC 120 240 V 28 V DC LESS ENGINE DOD MODELS MEP 01 60 HZ NSN 6115 00 889 1446 AND MODEL MEP 025A 28 V DC 6115 00 017 8236 TO 35C2 3 385 1 015380 TM 5 6115 332 24P 3 GENERATOR GASOLINE ENGINE AIR COOLED 5 KW AC 120 240 V SINGLE PHASE 120 208 V 3 PHASE SKID MOUNTED TUBULAR FRAME LESS ENGINE M DESIGN 60 HZ DOD MODEL MEP 017A NSN 6115 00 017 8240 400 DOD MODEL MEP 022A 6115 00 017 8241 TO 35C2 3 424 24 020611 LO 5 6115 457 12 GENERATOR SET DIESEL ENGINE DRIVEN SKID MTD 100 KW 3 PHASE 120 208 AND 240 416 V DOD MODELS MEP 007A UTILITY CLASS 50 NSN 6115 00 133 9101 MODEL MEP 106A PRECISE CLASS 50 60 H 6115 00 133 9102 AND MODEL MEP 116A PRECISE CLASS 400 HZ 6115 00 133 9103 020612 LO 5 6115 458 12 GENERATOR SET DIESEL ENGINE DRIVEN SKID MTD 200 KW 3 PHASE 4 WIRE 120 208 416 VOLTS DOD MODELS MEP 009A UTILITY CLASS 50 60 HERTZ NSN 6115 00 133 9104 MEP 108A PRECISE CLASS 50 HERTZ 6115 00 935 8729 LO 07536A 12 020614 LO 5 6115 465 12 GENERATOR SET DIESEL ENGINE DRIVEN TACTICAL SKID MOUNTED 30 3 PHASE 4 WIRE 120 206 AND 240 416 V DOD MODEL MEP 055A UT

CLASS 50 60 HZ NSN 6115 00 118 1240 MODEL MEP 104A PRECI CLASS 50 60 HZ 6115 00 118 1247 AND MODEL 114A
PRECISE CLA 400 HZ 6115 00 118 1248 025150 TM 5 6115 271 14 12 GENERATOR SET GASOLINE ENGINE DRIVEN S
MTD TUBULAR FRAME 3 KW 3 PHASE AC 120 208 AND 120 240 V 2 DC LESS ENGINE DOD MODEL MEP 016A 60 HZ
NSN 6115 00 017 823 MODEL MEP 016C 60 HZ 6115 00 143 3311 MODEL MEP 021A 400 HZ 6115 00 017 8238 MODEL
MEP 021C 400 HZ 6115 01 175 7321 MODEL MEP 026A DC HZ 6115 00 017 8239 MODEL MEP 026C 28 V DC 6115 01 175
7320 TO 35C2 3 386 1 TM 05926A 14 NAVFAC P 8 6 025151 TM 5 6115 271 24P 3 GENERATOR SET GASOLINE ENGINE
DRIVEN SKID MOUNTED TUBULA FRAME 3 KW 3 PHASE AC 120 208 AND 120 240 VOLTS 28 VDC LE ENGINE DOD
MODEL MEP 016A 60 HERTZ NSN 6115 00 017 8237 MEP 021A 400 HERTZ 6115 00 017 8238 MEP 026A 28 VDC HERTZ
6115 00 017 8239 MEP 016C 60 HERTZ 6115 01 143 3311 MEP 400 HERTZ 6115 01 175 7321 MEP 026C 28 VDC HERTZ
6115 01 175 7320 TO 35C2 3 386 4 SL 4 05926A 032507 TM 5 6115 275 14 10 GENERATOR SET GASOLINE ENGINE
DRIVEN SKID MOUNTED TUBULAR FRAME 10 KW AC 120 208V PHASE AND 120 240V SINGLE PHASE LESS ENGINE
DOD MODELS MEP HZ NSN 6115 00 889 1447 AND MEP 023A 400 HZ 6115 00 926 08 NAVFAC P 8 615 14 TO 35C2 3 452
1 THIS ITEM IS INCLUDED ON EM 0086 EM 0088 D MEP 018A UTILITY CLASS 60 HZ NSN 6115 00 889 1447 AND MEP 0
PRECISE CLASS 400 HZ 6115 00 926 0843 NAVFAC P8 615 24P TO 35C2 3 452 4 THIS ITEM IS INCLUDED ON EM 0086
EM 0088 1 PHASE 3 WIRE 3 PHASE 4 WIRE 120 120 240 AND 120 208 V DOD MODEL MEP 002A UTILITY CLASS 60 HZ
NSN 6115 00 465 1044 NAVFAC P 8 622 12 TO 35C2 3 456 1 TM 05682C 12 032640 TM 5 6115 585 12 12 GENERATOR
SET DIESEL ENGINE DRIVEN TACTICAL SKID MTD 10 KW 1 PHASE 2 WIRE 1 PHASE 3 WIRE AND 3 PHASE 4 WIRE 120
120 240 AND 120 208 V DOD MODEL MEP 003A UTILITY CLASS 60 HZ NSN 6115 00 465 1030 AND MODEL MEP 112A
UTILITY CLASS 400 HZ 6115 00 465 1027 NAVFAC P 8 623 12 TO 35C2 3 455 1 TM 05684C 05685B 12 032781 TM 5 6115
584 34 8 GENERATOR SET DIESEL ENGINE DRIVEN TAC SKID MOUNTED 5 KW 1 PHASE 2 WIRE 1 PHASE 3 WIRE 3
PHASE 120 120 240 AND 120 208 V DOD MODEL MEP 002A UTILITY CLASS NSN 6115 00 465 1044 NAVFAC P 8 622 34
TO 35C2 3 456 2 TM 0568C 34 032936 TM 5 6115 329 14 4 GENERATOR SET GASOLINE ENGINE DRIVEN 0 5 KW LESS
ENGINE DOD MODEL MEP 014 UTILITY CLASS 60 HZ NSN 6115 00 923 4469 DOD MODEL MEP 01 UTILITY CLASS 400
HZ 6115 00 940 7862 AND DOD MODEL MEP 024 UTILITY CLASS 28 VDC 6115 00 940 7867 TO 35C2 3 440 1 033374 TM 5
6115 332 14 10 GENERATOR SET TAC GASOLINE ENGINE AIR COOLED 5 KW AC 120 240 V SINGLE PHASE V 3 PHASE
SKID MOUNTED TUBULAR FRAME LESS ENGINE MILITARY DOD MODEL MEP 017A UTILITY 60 HZ NSN 6115 00 017
8240 AND MODEL MEP 022A UTILITY 400 HZ 6115 00 017 8241 NAVFAC P 8 614 14 TO 35C2 3 424 1 033750 TM 5 6115
585 34 9 GENERATOR SET DIESEL ENGINE DRIVEN TAC SKID MOUNTED 10 KW 1 PHASE 2 WIRE 1 PHASE 3 WIRE 3
PHASE 4 WIRE 120 120 240 AND 120 208 VOLTS DOD MODEL MEP 003A UT CLASS 60 HZ NSN 6115 00 465 1030
NAVFAC P 8 623 12 TO 35C2 3 455 2 TM 05684C 05685B 34 034072 TM 5 6115 585 24P 5 GENERATOR SET DIESEL

ENGINE DRIVEN TA SKID MTD 10 KW 1 PHASE 2 WIRE 1 PHASE 3 WIRE 3 PHASE 4 W 120 120 240 AND 120 208 V DOD MODELS 003A UTILITY CLASS 60 NSN 6115 00 465 1030 AND MODEL MEP 112A UTILITY CLASS 400 6115 00 465 1027 NAVFAC P 8 623 24P TO 35C2 3 455 4 SL 4 05684C 06585B 040180 TM 5 6115 584 12 HR HAND RECEIPT MANUAL COVERING END ITEM COMPONENTS OF END ITEM C BASIC ISSUE ITEMS BII AND ADDITIONAL AUTHORIZATION LIST AAL GENERATOR SET DIESEL ENGINE DRIVEN TACTICAL SKID MTD 5 KW 1 WIRE 1 PH 3 WIRE 3 PH 4 WIRE 120 120 240 AND 120 208 V D MEP 002A UTILITY CLASS 60 HZ NSN 6115 00 465 1044 040833 TM 5 6115 458 12 HR HAND RECEIPT MANUAL COVERING THE END ITEM COMPONENTS OF END ITE BASIC ISSUE ITEMS BII AND ADDITIONAL AUTHORIZATION LIST AA GENERATOR SET DIESEL ENGINE DRIVEN TACTICAL SKID MOUNTED 20 3 PHASE 4 WIRE 120 208 AND 240 416 V DOD MODEL MEP 009A UT CLASS 50 60 HZ NSN 6115 00 133 9104 AND DOD MODEL MEP 108A PRECISE CLASS 50 60 HZ 6115 00 935 8729 040843 TM 5 6115 593 34 GENERATOR SET DIESEL ENGINE DRIVEN TAC SKID MTD 500 KW 3 PHASE 4 WIRE 120 208 AND 240 416 VOLTS DOD MODEL MEP 029A CLASS UTILITY 50 60 HZ NSN 6115 01 030 DOD MODEL MEP 029B CLASS UTILITY 50 60 HZ 6115 01 318 6302 INCLUDING OPTIONAL KITS DOD MODEL MEP 029AHK HOUSING KIT 6115 01 070 7550 DOD MODEL MEP 029ACM AUTOMATIC CONTROL MO 6115 01 275 7912 DOD MODEL MEP 029ARC REMOTE CONTROL MODULE 6110 01 070 7553 DOD MODEL MEP 029ACC REMOTE CONTROL CABLE 6110 01 087 4127 NAVFAC P 8 041070 TM 5 6115 593 12 GENERATOR SET ENGINE DRIVEN TACTICAL SKID MTD 500 KW 3 PHASE 4 WIRE 120 240 416 VOLTS DOD MODEL MEP 029A CLASS UTILITY HERTZ 50 60 NSN 6115 01 030 6085 MEP 029B UTILITY 50 60 6115 01 318 INCLUDING OPTIONAL KTS DOD MODELS MEP 029AHK NOMENCLATURE HOUS 6115 01 070 7550 MEP 029ACM AUTOMATIC CONTROL MODULE 6115 01 275 7912 MEP 029ARC REMOTE CONTROL MODULE 6110 01 070 7553 MEP 029ACC REMOTE CONTROL CABLE 6110 01 087 4127 TO 35C2 3 463 1 041338 LO 55 1730 229 12 POWER UNIT AVIATION MULTI OUTPUT GTED ELECTRICAL HYDRAULIC PNEUMATIC AGPU WHEEL MOUNTED SELF PROPELLED TOWABLE DOD MODEL MEP 360A CLASS PRECISE HERTZ 400 NSN 1730 01 144 1897 042791 TM 5 6115 457 12 HR HAND RECEIPT MANUAL COVERING THE BASIC ISSUE ITEMS BII FOR GE SET DIESEL ENGINE DRIVEN TACTICAL SKID MTD 100 KW 3 PHASE 120 208 AND 240 416 V DOD MODELS MEP007A UTILITY CLASS 50 6 NSN 6115 00 133 9101 MODEL MEP 106A PRECISE CLASS 50 60 6115 00 133 9102 AND MODEL MEP116A PRECISE CLASS 400 HZ 6115 00 133 9103 043437 TM 5 6115 593 24P 1 GENERATOR SET DIESEL ENGINE DRIVEN TACTICAL SKID MOUNTED 500 KW 3 PHA 4 WIRE 120 208 AND 240 416 VOLTS DOD MODEL MEP 029A UTILITY CL 50 60 HZ NSN 6115 01 030 6085 MEP 029B UTILITY CLASS 50 60 6115 01 318 6302 INCLUDING OPTIONAL KITS DOD MODEL MEP 029AHK HOUSING KIT 6115 01 070 7550 MEP 029ACM AUTOMATIC CONTROL MOD 6115 01 275 7912 MEP 029ARC REMOTE CONTROL MODULE 6110 01 070 7553 MEP 029ACC REMOTE CONTROL CABLE 6110 01 087 NAVFAC P 8 631 24P TO 35C2 3 463 4 044703 TM 5 6115 545 12 HR HAND RECEIPT MANUAL COVERING COMPONENTS

OF END ITEM COEI BAS ITEMS BII AND ADDITIONAL AUTHORIZATION LIST AAL FOR GENERA DIESEL ENGINE
DRIVEN TACTICAL SKID MTD 60 KW 3 PHASE 4 WIRE 120 208 AND 240 416 V DOD MODELS MEP 006A UTILITY CLASS
50 6 NSN 6115 00 118 1243 MODEL MEP 105A PRECISE CLASS 50 60 H 6115 00 118 1252 AND MODEL MEP 115A
PRECISE CLASS 400 HZ 6115 00 118 1253 050998 TM 5 6115 600 12 8 GENERATOR DIESEL ENGINE DRIVEN TACTICAL
SKID MTD 100 KW 3 PHASE 4 WIR 120 208 AND 240 416 V DOD MODEL MEP 007B CLASS UTILITY 50 60 NSN 6115 01
036 6374 INCLUDING OPTIONAL KITS DOD MODEL MEP00 WINTERIZATION KIT FUEL BURNING AND MEP007BWE
WINTERIZATION KIT ELECTRIC 051007 TM 5 6115 600 24P 4 GENERATOR SET DIESEL ENGINE DRIVEN 100 KW 3
PHASE 4 WIRE 120 208 AND VOLTS DOD MODEL MEP 007B UTILITY CLASS 50 60 HZ NSN 6115 01 036 6374
INCLUDING OPTIONAL KITS DOD MODEL MEP007BWF WINTERIZATION KIT FUEL BURNING AND MEP007BWE
WINTERIZATION KIT ELECTRIC TO 35C2 3 442 14 NAVFAC P 8 628 24P SL 4 07464B 057268 LO 5 6115 600 12
GENERATOR SET DIESEL ENGINE DRIVEN TACTICAL SKID MTD 100 KW PHASE 4 WIRE 120 208 AND 240 416 V DOD
MODEL MEP007B CLASS UTILITY 50 60 HZ NSN 6115 01 036 6374 057513 LO 5 6115 604 12 GENERATOR SET DIESEL
ENGINE DRIVEN AIR TRANSPORTABLE SKID MT 750 KW 3 PHASE 4 WIRE 2400 4160 AND 2200 3800 VOLTS DOD MOD
MEP208A CLASS PRIME UTILITY HZ 50 60 NSN 6115 00 450 5881 LI 6115 12 9 060183 TM 5 6115 612 24P 6 GENERATOR
SET AVIATION GAS TURBINE ENGINE DRIVEN INTEGRA TRAILER MOUNTED 10KW 28 VOLTS MODEL MEP 362A
PRECISE DC NSN 6115 01 161 3992 TM 6115 24P 1 AG 320B0 IPE 000 TO 35C2 3 471 4 060188 TM 5 6115 612 34 4
GENERATOR SET AVIATION GAS TURBINE ENG DRIVEN INTEGRAL TRAILER MOUNTED 10KW 28 VOLTS DOD MODEL
MEP 36 PRECISE DC NSN 6115 01 161 3992 AG 320B0 MME 000 TM 6115 TO 35C2 3 471 2 060645 LO 5 6115 612 12
AVIATION GENERATOR SET GAS TURBINE ENGINE DRIVEN INTEGRAL TR MOUNTED 10KW 28 VOLTS DC DOD MODEL
MEP 362A CLASS PRECISE NSN 6115 01 161 3992 060921 TM 55 1730 229 34 5 POWER UNIT AVIATION MULTI OUTPUT
GTED ELECTRICAL HYDRAULIC PNEUMATIC AGPU WHEEL MOUNTED SELF PROPELLED TOWA AC 400HZ 3PH 0 8 PF
115 200V 30 KW DC 28VDC 700 AMPS PNEUMATIC 60 LBS MIN AT 40 PSIG HYDRAULIC 15 GPM AT 3300 PS DOD
MODEL MEP 360A CLASS PRECISE 400 HERTZ NSN 1730 01 144 AG 320A0 MME 000 TO 35C2 3 473 2 TM 1730 34 1
060922 TM 55 1730 229 12 8 POWER UNIT AVIATION MULTI OUTPUT GTED ELECTRICAL HYDRAULIC PNEUMATIC
AGPU WHEEL MOUNTED SELF PROPELLED TOWABLE AC 400HZ 3PH 0 8 PF 115 200V 30 KW DC 28 VDC 700 AMPS
PNEUMATIC 60 LBS M AT 40 PSIG HYDRAULIC 15 GPM AT 3300 PSIG DOD MODEL MEP 360A CLASS PRECISE HERTZ
400 NSN 1730 01 144 1897 AG 320A0 OMM 000 TO 35C2 3 473 1 TM 1730 12 1 061758 LO 5 6115 614 12 GENERATOR
SET DIESEL ENGINE DRIVEN TACTICAL SKID MTD 200 KW 3 PHASE 4 WIRE 120 208 AND 240 416 VOLTS MODEL
MEP009B UTILI 50 60 HERTZ NSN 6115 01 021 4096 061772 LO 5 6115 622 12 GENERATOR SET DIESEL ENGINE
DRIVEN WHEEL MOUNTED 750 KW 3 PH 4 WIRE 2200 3800 AND 2400 4160 VOLTS CUMMINS ENGINE COMPANY IN

MODEL KTA 2300G 2 DOD MODEL MEP 012A CLASS UTILITY HERTZ 062762 LO 5 6115 615 12 GENERATOR SET DIESEL
ENGINE DRIVEN TACTICAL SKID MOUNTED 3 K MODEL 016B CLASS UTILITY MODE 50 60 HZ NSN 6115 01 150 4140
DOD MODEL MEP 021B CLASS UTILITY MODE 400 HZ 6115 01 151 812 DOD MODEL MEP 026B CLASS UTILITY MODE
28 VDC 6115 01 150 036 LI 05926B 06509B 12 5 P 8 646 LO 064310 TM 5 6115 626 14 TM 1730 24P AG 320A0 IPB 000
065603 TB 5 6115 593 24 WARRANTY PROGRAM FOR GENERATOR SET DOD MODEL MEP 029A HOUSING K DOD
MODEL MEP 029AHK 066727 TM 5 6115 640 14 2 MEP 005A 30 KW 60 HZ GEN SETS 2 M200A1 2 WHEEL 4 TIRE
MODIFIED TRAILERS 066809 TM 5 6115 630 14 MEP 104A PRECISE 50 60 HERTZ 6115 00 118 1247 MEP 114A PRECISE
400 HERTZ 6115 00 118 INCLUDING AUXILIARY EQUIPMENT MEP 005AWF WINTERIZATION KIT FUE BURNING 6115 00
463 9083 MEP 005AWE WINTERIZATION KIT ELEC 6115 00 067310 TM 9 6115 650 14 DOD MODEL MEP 104A 6115 00
118 1245 DOD MODEL MEP 113A 6115 00 118 1244 069954 TM 9 6115 465 24P 2 GENERATOR SET DIESEL ENGINE
DRIVE TACTICAL SKID MTD 30KW 3 PHASE 4 WIRE 120 208 AND 240 416 V MODELS MEP 005A UTILITY 50 60 HZ NSN
6115 00 118 1240 MEP 104A PRECISE 50 60 HZ 6115 00 118 1247 MEP 114A PRECISE 400 H 6115 00 118 1248
INCLUDING OPTIONAL KITS DOD MODELS MEP 00 WINTERIZATION KIT FUEL BURNING 6115 00 463 9083 MEP 005
AW WINTERIZATION KIT ELECTRIC 6115 00 463 9085 MEP 002 ALM L BANK KIT 6115 00 463 9088 MEP 005 AWM
WHEEL MOUNTING KIT 6115 00 463 9094 TO 35C2 3 070096 TM 9 6115 464 24P 1 GENERATOR S DIESEL ENGINE
DRIVEN TACTICAL SKID MTD 15KW 3 PHASE 4 WIRE 120 208 AND 240 416 VOLTS DOD MODEL MEP 004A UTILITY
CLASS 50 60 HERTZ NSN 6115 00 118 1241 DOD MODEL MEP 103A PRECISE CLASS 50 60 HERTZ 6115 00 118 1245
DOD MODEL MEP 113A PRECI CLASS 400 HERTZ 6115 00 118 1244 INCLUDING OPTIONAL KITS DOD MODEL MEP 005
AWF WINTERIZATION KIT FUEL BURNING 6115 00 463 DOD MODEL MEP 005 AWE WINTERIZATION KIT ELECTRIC
6615 00 46 DOD MODEL MEP 004 ALM LOAD BANK KIT 6115 00 191 9201 071025 TM 9 6115 641 10 2 GENERATOR SET
SKID MOUNTED TACTICAL QUIET 5 KW 60 AND 400 HZ MEP 802A 60 HZ NSN 6115 01 274 7387 MEP 812A 400 HZ 6115
01 274 7391 TO 35C2 3 456 11 071026 TM 9 6115 642 10 2 GENERATOR SET SKID MOUNTED TACTICAL QUIE 10 KW 60
AND 400 HZ MEP 803A 60 HZ NSN 6115 01 275 5061 MEP 813A 400 HZ 6115 01 274 7392 TO 35C2 3 455 11 TM 09247A
09248A 10 1 071028 TM 9 6115 643 10 3 GENERATOR SET SKID MOUNTED TACTICAL QUI 15 KW 50 60 AND 400 HZ
MEP 804A 50 60 HZ NSN 6115 01 274 73 MEP 814A 400 HZ 6115 01 274 7393 TO 35C2 3 445 21 071029 TM 9 6115 644 10
2 GENERATOR SET SKID MOUNTED TACTICAL QUIET 30 KW 50 60 AND 400 HZ MEP 805A 50 60 HZ NSN 6115 01 274
7389 MEP 815A 400 HZ 6115 01 274 7394 TO 35C2 3 446 11 TM 09249A 09246A 10 1 071030 TM 9 6115 645 10 2
GENERATOR SET SKID MOUNTED TACTICAL QUIET 60 KW 50 60 AND 400 HZ MEP 806A 50 60 HZ NSN 6115 01 274
7390 MEP 816A 400 HZ 6115 01 274 7395 TO 35C2 3 444 11 TM 09244A 09245A 10 1 071031 LO 9 6115 641 12
GENERATOR SET SKID MOUNTED TACTICAL QUIET 5 KW 60 AND 400 HZ MEP 802A TACTICAL QUIET 60 HZ NSN 6115

01 274 7387 MEP 812A TACTICAL QUIET 400 HZ 6115 01 274 7391 071032 LO 9 6115 642 12 GENERATOR SET SKID MOUNTED TACTICAL QUIET 10 KW 60 AND 400 HZ MEP 803A TACTICAL QUIET 60 HZ NSN 6115 01 275 5061 MEP 813A TACTICAL QUIET 400 HZ 6115 01 274 7392 071033 LO 9 6115 643 12 GENERATOR SET SKID MOUNTED TACTICAL QUIET 15 KW 50 60 400 HZ MEP 804A TACTICAL QUIET 50 60 HZ NSN 6115 01 274 7388 MEP 814 TACTICAL QUIET 400 HZ 6115 01 274 7393 071034 LO 9 6115 644 12 GENERATOR SET SKID MOUNTED TACTICAL QUIET 30 KW 50 60 AND 400 HZ MEP 805A TACTICAL QUIET 50 60 HZ NSN 6115 01 274 7389 MEP 815 TACTICAL QUIET 400 HZ 6115 01 274 7394 LI 09249A 09246A 12 071035 LO 9 6115 645 12 GENERATOR SET SKID MOUNTED TACTICAL QUIET 60 KW 50 60 AND 400 HZ MEP 806A TACTICAL QUIET 50 60 HZ NSN 6115 01 274 7390 MEP 816 TACTICAL QUIET 400 HZ 6115 01 274 7395 LI 09244A 09245A 12 071036 TB 9 6115 641 24 WARRANTY PROGRAM FOR GENERATOR SET TACTICAL QUIET 5 KW 60 AND 400 HZ MEP 802A AND MEP 812A 071037 TB 9 6115 642 24 WARRANTY PROGRAM FOR GENERATOR SET TACTICAL QUIET 10 KW 60 AND 400 HZ MEP 803A AND MEP 813A SI 09247A 09248A 24 071038 TB 9 6115 643 24 WARRANTY PROGRAM FOR GENERATOR SET TACTICAL QUIET 15 KW 50 60 AND 400 HZ MEP 804A AND MEP 814A 071039 TB 9 6115 644 24 WARRANTY PROGRAM FOR GENERATOR SET TACTICAL QUIET 30 KW 50 60 AND 400 HZ MEP 805A AND MEP 815A SI 09249A 09246A 24 071040 TB 9 6115 645 24 WARRANTY PROGRAM FOR GENERATOR SET TACTICAL QUIET 60 KW 50 60 AND 400 HZ MEP 806A AND MEP 816A SI 09244A 09245A 24 071541 TM 9 6115 464 12 2 GENERATOR SET DIESEL ENGINE DRIVEN TACTICAL SKID MTD 15 KW 3 PHASE 4 WIRE 120 2 AND 240 416 VOLTS DOD MODEL MED 004A UTILITY CLASS 50 60 HERTZ NSN 6115 00 118 1241 DOD MODEL MEP 103A PRECISE CLASS 50 60 HERTZ 6115 00 118 1245 DOD MODEL MEP 113A PRECISE CLASS 400 HERTZ 6115 00 118 1244 INCLUDING OPTIONAL KITS DOD MODEL MEP 005 AWF WINTERIZATION KIT FUEL BURNING 6115 00 463 9083 DOD MODEL MEP 005 AWE WINTERIZATION KIT ELECTRIC 6115 00 463 9085 DOD MODEL MEP 004 ALM LOAD BANK KIT 6115 00 291 071604 TM 9 6115 645 24P GENERATOR SET TACTICAL QUIET 60KW 50 60 400 HZ NSN 6115 01 274 7390 MEP 806A 6115 01 274 7395 MEP 816A TO 35C2 3 444 14 TM 09244A 09245A 24P 3 071605 TM 9 6115 642 24P GENERATOR SET TACTICAL QUIET 10 KW 60 400 HZ NSN 6115 01 275 5061 MEP 803A 6115 01 274 7392 MEP 813A TO 35C2 3 455 14 TM 09247A 09248A 24P 3 071610 TM 9 6115 643 24P GENERATOR SET TACTICAL QUIET 15KW 50 60 400 HZ NSN 6115 01 274 7388 MEP 804A 6115 01 274 7393 MEP 814A TO 35C2 3 445 24 071611 TM 9 6115 644 24P GENERATOR SET TACTICAL QUIET 30KW 50 60 400 HZ NSN 6115 01 274 7389 MEP 805A 6115 01 274 7394 MEP 815A TO 35C2 3 446 14 TM 09249A 09246A 24P 3 071613 TM 9 6115 641 24P GENERATOR SET TACTICAL QUIET 5 KW 60 400 HZ NSN 6115 01 274 7387 MEP 802A 6115 01 274 7391 MEP 812A TO 35C2 3 456 14 071713 TM 9 6115 645 24 4 GENERATOR SET SKID MOUNTED TACTICAL QUIET 60KW 50 60 AND 400 HZ MEP 806A 50 60 HZ NSN 6115 01 274 7390 MEP 816A 400 HZ 6115 01 274 7395 TO 35C2 3 444 12 TM 09244A 09245A 24 2 071748 TM 9 6115 644 24 1 GENERATOR SET SKID MOUNTED TACTICAL QUIET 30 KW

50 60 AND 400 HZ MEP 805A 50 60 HZ NSN 6115 01 274 7389 MEP 815A 400 HZ 6115 01 274 7394 TO 35C2 3 446 12 TM
09249A 09246A 24 2 071749 TM 9 6115 643 24 4 GENERATOR SET SKID MOUNTED TACTICAL QUIET 15 KW 50 60 AND
400 HZ MEP 804A 50 60 HZ NSN 6115 01 274 7388 MEP 814A 400 HZ 6115 01 274 7393 TO 35C2 3 445 22 071750 TM 9
6115 642 24 4 GENERATOR SET SKID MOUNTED TACTICAL QUIET 10 KW 60 AND 400 HZ MEP 803A 60 HZ NSN 6115 01
275 5061 MEP 813A 400 HZ 6115 01 274 7392 TO 35C2 3 455 12 TM 09247A 09248A 24 2 071751 TM 9 6115 641 24 3
GENERATOR SET SKID MOUNTED TACTICAL QUIET 5 KW 60 AND 400 HZ MEP 802A 60 HZ NSN 6115 01 274 7387 MEP
812A 400 HZ 6115 01 274 7391 TO 35C2 3 456 12 072239 TM 9 6115 464 34 1 GENERATOR SET DIESEL ENGINE DRIVEN
TACTICAL SKID MTD 15 KW 3 PHASE 4 WIRE 120 208 AND 240 416 VOLTS DOD MODEL MEP 004A UTILITY CLASS 50 60
HERTZ NSN 6115 00 118 1241 DOD MODEL MEP 103A PRECISE CLASS 50 60 HERTZ 6115 00 118 1245 DOD MODEL
MEP 113A PRECISE CLASS 400 HERTZ 6115 00 118 1244 INCLUDING OPTIONAL KITS DOD MODEL MEP 005AWF
WINTERIZATION KIT FUEL BURNING 6115 00 463 9083 DOD MODEL MEP 005AWE WINTERIZAT KIT ELECTRIC 6115 00
463 9085 DOD MODEL MEP 004ALM LOAD BANK KIT 6115 00 291 920 073744 TM 9 6115 604 24P 1 GENERATOR SET
DIESEL ENGINE DRIVEN AIR TRANSPORTABLE SKID MOUNTED 750KW 3 PHASE 4 WIRE 2400 4160 AND 2200 3800
VOLTS DOD MODEL MEP208A PRIME UTILITY CLASS 50 60 HERTS NSN 6115 00 450 5881 DOD MODEL 80 1466
REMOTE CONTROL MODULE CLASS 6115 01 150 5284 DOD MODEL 80 7320 SITE REQUIREMENTS MODULE CLASS
6115 01 150 5 NAVFAC P 8 633 24P 074040 TM 9 6115 545 24P GENERATOR SET DIESEL ENGINE DRIVEN TAC SKID
MTD 60 KW 3 PHASE 4 WIRE 120 208 AND 240 416 VOLTS D MODELS MEP 006A UTILITY CLASS 50 60 H Z NSN 6115 00
118 124 MEP 105A PRECISE CLASS 50 60 H Z 6115 00 118 1252 MEP 115 PRECISE CLASS 400 H Z 6115 00 118 1253
INCLUDING OPTIONAL K DOD MODELS MEP 006AWF WINTERIZATION FUEL BURNING 6115 00 407 MEP 006AWE
WINTERIZATION KIT ELECTRIC 6115 00 455 7693 ME LOAD BANK KIT 6115 00 407 8322 AND MEP 006AWM WHEEL
MOUNTI 6115 00 463 9092 TO 074212 TM 9 6115 604 12 GENERATOR SET DIESEL DRIVEN AIR TRANSPORTABLE SKID
MTD 750 KW 3 PHASE 4 WIRE 24 AND 2200 3800 V DOD MODEL MEP 208A CLASS PRIME UTILITY HZ 50 NSN 6115 00
450 5881 NAVFAC P 8 633 12 074896 TM 9 6115 604 34 GENERATOR SET DIESEL ENGINE DRIVEN AIR
TRANSPORTABLE SKID MTD 750 KW 3 PHASE 4 WIRE 2400 4160 AND 2200 3800 VOLTS DOD MODEL MEP 208A PRIME
UTILITY CLASS 50 60 HERTZ NSN 6115 00 450 5881 NAVFAC P 8 633 34 075027 TM 9 6115 584 24P 1 GENERATOR SET
DIESEL E DRIVEN TACTICAL SKID MTD 5 KW 1 PHASE 2 WIRE 1 PHASE 3 WIR 3 PHASE 4 WIRE 120 120 240 AND 120
208 VOLTS DOD MODEL MEP UTILITY CLASS 60 HZ NSN 6115 00 465 1044 NAVFAC P 8 622 24P TO 35C2 3 456 4 077581
TM 9 6115 673 13 P 2KW MILITARY TACTICAL GENERATOR SET 120 VAC 60 HZ NSN 6115 01 435 1565 MEP 531A EIC
LKA NSN 6115 21 912 0393 MECHRON 28 VDC NSN 6115 01 435 1567 MEP 501A EIC LKD NSN 6115 21 912 0392
MECHRON 078167 TM 9 6115 672 14 GENERATOR SET SKID MOUNTED TACTICAL QUIET 60KW 50 60 AND 400 HZ MEP

806B 50 60 HZ NSN 6115 01 462 0291 EIC GGW MEP 816B 400 HZ NSN 6115 01 462 0292 EIC GGX 078443 TM 9 6115 639 13 1 3KW TACTICAL QUIET GENERATOR SET MEP 831A 60 HZ NSN 6115 01 285 3012 EIC VG6 MEP 832A 400 HZ NSN 6115 01 287 2431 EIC VN7 078490 TM 9 6115 671 14 OPERATOR UNIT GENERATOR SET SKID MOUNTED TACTICAL QUIET 30 KW 50 60 AND 400 HZ MEP 805B 50 60 HZ NSN 6115 01 461 9335 EIC GGU MEP 815B 400 HZ 6115 01 462 0290 EIC GGV 078503 TM 9 6115 671 24P GENERATOR SET SKID MOUNTED TACTICAL QUIET 30 KW 50 60 AND 400 HZ MEP 805B 50 60 HZ NSN 6115 01 461 9335 EIC GGU MEP 815B 400 HZ NSN 6115 01 462 0290 EIC GGV 078504 TM 9 6115 672 24P GENERATOR SET SKID MOUNTED TACTICAL QUIET 60 KW 50 60 AND 400 HZ MEP 806B 50 60 HZ NSN 6115 01 462 0291 EIC GGW MEP 816B 400 HZ NSN 6115 01 462 0292 EIC GGX 078505 TB 9 6115 671 24 WARRANTY PROGRAM FOR GENERATOR SET TACTICAL QUIET 30KW 50 60 AND 400 HZ MEP 805B AND MEP 815B PROCURED UNDER CONTRACT DAAK01 96 D 00620WITH MCII INC 078506 TB 9 6115 672 24 WARRANTY PROGRAM FOR GENERATOR SET TACTICAL QUIET 30KW 50 60 AND 400 HZ MEP 806B AND MEP 816B PROCURED UNDER CONTRACT DAAK01 96 D 00620WITH MCII INC 078523 TM 9 6115 664 13 P 5KW 28VDC AUXILIARY POWER UNIT APU MEP 952B NSN 6115 01 452 6513 EIC N A 078878 TM 9 6115 639 23P 3KW TACTICAL QUIET GENERATOR SET MEP 831A 60 HZ NSN 6115 01 285 3012 EIC VG6 MEP 832A 400 HZ NSN 6115 01 287 2431 EIC VN7 079379 TB 9 6115 641 13 WINTERIZATION KIT NSN 6115 01 476 8973 INSTALLED ON GENERATOR SET SKID MOUNTED TACTICAL QUIET 5KW 60 AND 400 HZ MEP 802A 600HZ 6115 01 274 7387 MEP 812A 400HZ 6115 01 274 7391 079460 TB 9 6115 642 13 WINTERIZATION KIT NSN 6115 01 477 0564 EIC N A INSTALLED ON GENERATOR KIT SKID MOUNTED TACTICAL QUIET 10KW 60 AND 400 HZ MEP 803A 60HZ 6115 01 275 0561 MEP 813A 400HZ 6115 01 274 7392 079461 TB 9 6115 643 13 WINTERIZATION KIT NSN 6115 477 0566 INSTALLED ON GENERATOR SET SKID MOUNTED TACTICAL QUIET 15KW 50 60 AND 400 HZ MEP 804A 50 60HZ 6115 01 274 7388 MEP 814A 400HZ 6115 01 274 7393 079462 TB 9 6115 644 13 WINTERIZATION KIT NSN 6115 01 474 8354 EIC N A INSTALLED ON GENERATOR SET SKID MOUNTED 30KW 50 60 AND 400 HZ MEP 805A 50 60HZ NSN 6115 01 274 7389 MEP 815A 400HZ NSN 611501 274 7394 079463 TB 9 6115 645 13 WINTERIZATION KIT NSN 6115 01 474 8344 EIC N A INSTALLED ON GENERATOR SET SKID MOUNTED TACTICAL QUIET 60KW 50 60 AND 400 HZ MEP 806A 50 60HZ 6115 01 274 7390 MEP 816A 400HZ 6115 01 274 7395 080214 TM 9 6115 670 14 P AUXILIARY POWER UNIT 20KW 120 240 VAC 60 HZ MODEL NO MEP 903A SICPS NSN 6115 01 431 3062 MODEL NUMBER MEP 903B JTACS NSN 6115 01 431 3063 MODEL NO MEP 903C9WIN T NSN 6115 01 458 5329 EIC N A

DA Pam ,1967 **Lubrication and Reliability Handbook** Michael J NEALE,2001-01-05 This handbook helps engineers in industry with the operation and maintenance of machinery It provides the information that these engineers need in a form that is instantly accessible and easy to read The manufacturers of machinery give guidelines on the operation lubrication and maintenance required for their particular equipment There are however many different machines in an industrial plant or

service organisation often supplied by many different manufacturers and there is a need to select as many similar lubricants as possible and to use related machine techniques This book bridges the gap which exists between the available data on the various machines by providing overall guidance on how to co ordinate the recommendations of the various equipment makers The book is structured in a number of sections that will make it easier to use and to bring together related topics so that when a reader is focusing on a particular problem they can also refer to related material that is also likely to be of interest THE handbook for an industrial audience consisting of plant engineers and maintenance managers It describes the essential theory and practice relating to matters of lubrication and reliability Unique layout and presentation of information makes this one of the best practical reference books available **Journal of Research of the National Bureau of Standards** ,1967

Eventually, you will unquestionably discover a other experience and achievement by spending more cash. nevertheless when? reach you recognize that you require to acquire those all needs once having significantly cash? Why dont you attempt to get something basic in the beginning? Thats something that will guide you to comprehend even more going on for the globe, experience, some places, subsequent to history, amusement, and a lot more?

It is your certainly own mature to operate reviewing habit. among guides you could enjoy now is **M2 1pumping System Manual** below.

https://staging.conocer.cide.edu/About/detail/Download_PDFS/fra%20diavola%20sauce%20recipe.pdf

Table of Contents M2 1pumping System Manual

1. Understanding the eBook M2 1pumping System Manual
 - The Rise of Digital Reading M2 1pumping System Manual
 - Advantages of eBooks Over Traditional Books
2. Identifying M2 1pumping System Manual
 - Exploring Different Genres
 - Considering Fiction vs. Non-Fiction
 - Determining Your Reading Goals
3. Choosing the Right eBook Platform
 - Popular eBook Platforms
 - Features to Look for in an M2 1pumping System Manual
 - User-Friendly Interface
4. Exploring eBook Recommendations from M2 1pumping System Manual
 - Personalized Recommendations
 - M2 1pumping System Manual User Reviews and Ratings
 - M2 1pumping System Manual and Bestseller Lists
5. Accessing M2 1pumping System Manual Free and Paid eBooks

- M2 1pumping System Manual Public Domain eBooks
 - M2 1pumping System Manual eBook Subscription Services
 - M2 1pumping System Manual Budget-Friendly Options
6. Navigating M2 1pumping System Manual eBook Formats
 - ePub, PDF, MOBI, and More
 - M2 1pumping System Manual Compatibility with Devices
 - M2 1pumping System Manual Enhanced eBook Features
 7. Enhancing Your Reading Experience
 - Adjustable Fonts and Text Sizes of M2 1pumping System Manual
 - Highlighting and Note-Taking M2 1pumping System Manual
 - Interactive Elements M2 1pumping System Manual
 8. Staying Engaged with M2 1pumping System Manual
 - Joining Online Reading Communities
 - Participating in Virtual Book Clubs
 - Following Authors and Publishers M2 1pumping System Manual
 9. Balancing eBooks and Physical Books M2 1pumping System Manual
 - Benefits of a Digital Library
 - Creating a Diverse Reading Collection M2 1pumping System Manual
 10. Overcoming Reading Challenges
 - Dealing with Digital Eye Strain
 - Minimizing Distractions
 - Managing Screen Time
 11. Cultivating a Reading Routine M2 1pumping System Manual
 - Setting Reading Goals M2 1pumping System Manual
 - Carving Out Dedicated Reading Time
 12. Sourcing Reliable Information of M2 1pumping System Manual
 - Fact-Checking eBook Content of M2 1pumping System Manual
 - Distinguishing Credible Sources
 13. Promoting Lifelong Learning
 - Utilizing eBooks for Skill Development

- Exploring Educational eBooks
- 14. Embracing eBook Trends
 - Integration of Multimedia Elements
 - Interactive and Gamified eBooks

M2 1pumping System Manual Introduction

In today's digital age, the availability of M2 1pumping System Manual books and manuals for download has revolutionized the way we access information. Gone are the days of physically flipping through pages and carrying heavy textbooks or manuals. With just a few clicks, we can now access a wealth of knowledge from the comfort of our own homes or on the go. This article will explore the advantages of M2 1pumping System Manual books and manuals for download, along with some popular platforms that offer these resources. One of the significant advantages of M2 1pumping System Manual books and manuals for download is the cost-saving aspect. Traditional books and manuals can be costly, especially if you need to purchase several of them for educational or professional purposes. By accessing M2 1pumping System Manual versions, you eliminate the need to spend money on physical copies. This not only saves you money but also reduces the environmental impact associated with book production and transportation. Furthermore, M2 1pumping System Manual books and manuals for download are incredibly convenient. With just a computer or smartphone and an internet connection, you can access a vast library of resources on any subject imaginable. Whether you're a student looking for textbooks, a professional seeking industry-specific manuals, or someone interested in self-improvement, these digital resources provide an efficient and accessible means of acquiring knowledge. Moreover, PDF books and manuals offer a range of benefits compared to other digital formats. PDF files are designed to retain their formatting regardless of the device used to open them. This ensures that the content appears exactly as intended by the author, with no loss of formatting or missing graphics. Additionally, PDF files can be easily annotated, bookmarked, and searched for specific terms, making them highly practical for studying or referencing. When it comes to accessing M2 1pumping System Manual books and manuals, several platforms offer an extensive collection of resources. One such platform is Project Gutenberg, a nonprofit organization that provides over 60,000 free eBooks. These books are primarily in the public domain, meaning they can be freely distributed and downloaded. Project Gutenberg offers a wide range of classic literature, making it an excellent resource for literature enthusiasts. Another popular platform for M2 1pumping System Manual books and manuals is Open Library. Open Library is an initiative of the Internet Archive, a non-profit organization dedicated to digitizing cultural artifacts and making them accessible to the public. Open Library hosts millions of books, including both public domain works and contemporary titles. It also allows users to borrow digital copies of certain books for a limited period, similar to a library lending system. Additionally, many universities

and educational institutions have their own digital libraries that provide free access to PDF books and manuals. These libraries often offer academic texts, research papers, and technical manuals, making them invaluable resources for students and researchers. Some notable examples include MIT OpenCourseWare, which offers free access to course materials from the Massachusetts Institute of Technology, and the Digital Public Library of America, which provides a vast collection of digitized books and historical documents. In conclusion, M2 1pumping System Manual books and manuals for download have transformed the way we access information. They provide a cost-effective and convenient means of acquiring knowledge, offering the ability to access a vast library of resources at our fingertips. With platforms like Project Gutenberg, Open Library, and various digital libraries offered by educational institutions, we have access to an ever-expanding collection of books and manuals. Whether for educational, professional, or personal purposes, these digital resources serve as valuable tools for continuous learning and self-improvement. So why not take advantage of the vast world of M2 1pumping System Manual books and manuals for download and embark on your journey of knowledge?

FAQs About M2 1pumping System Manual Books

How do I know which eBook platform is the best for me? Finding the best eBook platform depends on your reading preferences and device compatibility. Research different platforms, read user reviews, and explore their features before making a choice. Are free eBooks of good quality? Yes, many reputable platforms offer high-quality free eBooks, including classics and public domain works. However, make sure to verify the source to ensure the eBook credibility. Can I read eBooks without an eReader? Absolutely! Most eBook platforms offer webbased readers or mobile apps that allow you to read eBooks on your computer, tablet, or smartphone. How do I avoid digital eye strain while reading eBooks? To prevent digital eye strain, take regular breaks, adjust the font size and background color, and ensure proper lighting while reading eBooks. What the advantage of interactive eBooks? Interactive eBooks incorporate multimedia elements, quizzes, and activities, enhancing the reader engagement and providing a more immersive learning experience. M2 1pumping System Manual is one of the best book in our library for free trial. We provide copy of M2 1pumping System Manual in digital format, so the resources that you find are reliable. There are also many Ebooks of related with M2 1pumping System Manual. Where to download M2 1pumping System Manual online for free? Are you looking for M2 1pumping System Manual PDF? This is definitely going to save you time and cash in something you should think about. If you trying to find then search around for online. Without a doubt there are numerous these available and many of them have the freedom. However without doubt you receive whatever you purchase. An alternate way to get ideas is always to check another M2 1pumping System Manual. This method for see exactly what may be included and adopt these ideas to your book. This site will almost certainly help you save

time and effort, money and stress. If you are looking for free books then you really should consider finding to assist you try this. Several of M2 1pumping System Manual are for sale to free while some are payable. If you arent sure if the books you would like to download works with for usage along with your computer, it is possible to download free trials. The free guides make it easy for someone to free access online library for download books to your device. You can get free download on free trial for lots of books categories. Our library is the biggest of these that have literally hundreds of thousands of different products categories represented. You will also see that there are specific sites catered to different product types or categories, brands or niches related with M2 1pumping System Manual. So depending on what exactly you are searching, you will be able to choose e books to suit your own need. Need to access completely for Campbell Biology Seventh Edition book? Access Ebook without any digging. And by having access to our ebook online or by storing it on your computer, you have convenient answers with M2 1pumping System Manual To get started finding M2 1pumping System Manual, you are right to find our website which has a comprehensive collection of books online. Our library is the biggest of these that have literally hundreds of thousands of different products represented. You will also see that there are specific sites catered to different categories or niches related with M2 1pumping System Manual So depending on what exactly you are searching, you will be able tochoose ebook to suit your own need. Thank you for reading M2 1pumping System Manual. Maybe you have knowledge that, people have search numerous times for their favorite readings like this M2 1pumping System Manual, but end up in harmful downloads. Rather than reading a good book with a cup of coffee in the afternoon, instead they juggled with some harmful bugs inside their laptop. M2 1pumping System Manual is available in our book collection an online access to it is set as public so you can download it instantly. Our digital library spans in multiple locations, allowing you to get the most less latency time to download any of our books like this one. Merely said, M2 1pumping System Manual is universally compatible with any devices to read.

Find M2 1pumping System Manual :

fra diavola sauce recipe

[four way traffic light ladder diagram](#)

fostex user guides

foundations of personal fitness chapter review answers 10

frankenstein study guide question and answers

[fox float 2011 manual](#)

four winds farm

frasier tv episode guide

fox triad 2 rear shock manual

fraction manual math see student text u

francedilois dagognet meacutedecin et philosophe

fostex vf16user guide

foundations of financial management block hirt danielsen

fou le the madman

foundations in financial management ffm december 2014 to june

M2 1pumping System Manual :

the man who knew too much english class 9 class 9 edurev - Jan 28 2022

web besides explaining types of the man who knew too much english class 9 class 9 notes videos tests theory edurev gives you an ample number of questions to practice the man who knew too much english class 9 class 9 notes videos tests tests examples and also practice class 9 tests 1 crore students have signed up on edurev

the man who knew too much topperlearning - Mar 10 2023

web ncert solutions for class 9 english cbse chapter f 3 get free access to the man who knew too much class 9 solutions which includes all the exercises with solved solutions visit topperlearning now ask a doubt

important questions for cbse class 9 english the man who knew too much - Dec 07 2022

web dec 11 2019 important questions for cbse class 9 english chapter 1 the man who knew too much reference to context questions solved read the given extracts and answer the questions that follow question 1 the sergeant asked you had any training before the professor answered with a phrase that was to become familiar

man who knew too much eduvictor s - Sep 04 2022

web oct 10 2017 answer alexander baron q2 the professor knew too much how did he prove himself fill up space with suitable examples from the story using the given clues a about muzzle velocity b after a thirty mile walk c his salute on payday d the loud sound of a high flying invisible aeroplane e about hand grenades f during cookhouse duties

ncert solutions for class 9 english literature chapter 3 the man - Aug 15 2023

web question 7 private quelch knew too much give reasons to prove that he was unable to win the admiration of his superior officers or his colleagues in about 100 words answer no doubt private quelch or the professor knew too much he wds a lanky and stooping man frowning through his horn rimmed spectacles

cbse solutions for class 9 english course communicative - Jan 08 2023

web get free cbse solutions for class 9 english course communicative literature reader chapter 1 the man who knew too much

solved by experts available here are chapter 1 the man who knew too much exercises questions with solutions and detail explanation for your practice before the examination

the man who knew too much ncert questions solved the man who knew too - Feb 26 2022

web aug 19 2022 q 1 who was corporal turnbull q 2 what was private quelch s ambition in life q 3 how did private offend the seargeant q 4 why did private get the name pr

long answer questions with solutions the man who knew too much - Apr 11 2023

web ans dear peter now when i ve settled down at this place i thought of penning down a few lines to you there is something very strange that i have come across here yesterday while i was taking a lesson on a hand grenade i had an encounter with a very strange under trainee called quelch

ncert solutions for class 9 english chapter 3 the man who knew too much - Mar 30 2022

web ncert solutions for class 9 english chapter 3 the man who knew too much here you can read ncert class 9 english chapter 3 the man who knew too much solutions in pdf format at free of cost also you can download chapter 3 the man who knew too much class 9 ncert english questions and answers pdf

ncert solutions for class 9 english literature chapter 3 the man - Oct 05 2022

web jul 24 2021 question 7 private quelch knew too much give reasons to prove that he was unable to win the admiration of his superior officers or his colleagues in about 100 words answer it is a fact that private quelch knew too much about army things but he lacked ability to win the hearts and admiration of his superior officers or colleagues

short answer questions with solutions the man who knew too much - Feb 09 2023

web ans the squad was listening to the lecture being given by professor who was asked by corporal to replace him b what was the person giving lecture on ans the person was giving a lecture on the hand grenade c why was the squad horrified ans

the man who knew too much summary explanation class 9 - May 12 2023

web nov 7 2022 top the man who knew too much summary the writer narrates the story of his initial days at the army private quelch was a soldier a companion of the writer he was tall thin stooped and had a frown on his face he wore spectacles also and so he earned the nickname of professor he was very capable and intelligent

the man who knew too much ncert solutions english class - Apr 30 2022

web information about ncert solutions the man who knew too much covers topics like and ncert solutions the man who knew too much example for class 9 2023 exam find important definitions questions notes meanings examples exercises and tests below for ncert solutions the man who knew too much

the man who knew too much extra questions and answers - Dec 27 2021

web answer it is true that at first the narrator and the others at the training camp were in awe of the amount of knowledge

quelch had about everything under the sun and that is why they had nicknamed him professor

class 9 man who knew too much ncert answers for english - Jun 01 2022

web answer a he knew that the exact muzzle velocity is 2440 feet per second b he was totally tireless and in good spirits to start singing c his salute at the pay table was an example for all others d the professor was able to identify the aeroplane by its harsh noise made by the high tip speed of the airscrew

ncert solution for class 9th ch 3 the man who knew too much - Jun 13 2023

web nov 23 2014 private quelch knew too much give reasons to prove that he was unable to win the admiration of his superior officers or his colleagues in about 100 words answer

extra questions answers the man who knew too much edurev - Jul 02 2022

web q1 in pursuit of his ambition he worked hard we had to give him credit for that he borrowed training manuals and stayed up late at nights reading them a who is he in the above extract b for which reason he borrowed training manuals and other reading materials c what was his ambition

the man who knew too much extra questions and answers - Jul 14 2023

web jul 6 2020 answer though everyone agreed that quelch knew too much he soon lost all their respect because of his habit of correcting his colleagues publicly whenever they made a mistake if anyone shone at his work he made sure to outshine them he was always trying to patronise them and show off his knowledge to them

ncert solutions class 9 english chapter 3 the man who knew too much - Aug 03 2022

web chapter 3 the man who knew too much class 9 english ncert solutions class 9 english students should refer to the following ncert questions with answers for chapter 3 the man who knew too much in class 9 these ncert solutions with answers for class 9 english will come in exams and help you to score good marks

the man who knew too much b a alt english study material - Nov 06 2022

web mar 21 2021 by alexander baron reassessment of private quelch and question answers for the lesson the man who knew too much private quelch the army recruit around whom the story the man who knew too much has been written is a much maligned person this story forms part of the english text book in countless schools

masamune datenicle myanimelist net - Jun 09 2022

the coming of age battle story will center on the famous 17th century japanese warlord date masamune when he was young the date clan took its name from the date region of the former mutsu province which comprises part of the modern day city of date the anime will be the first in the city s kirari na wonder project twinkling wonder project which aims to highlight tourist

datemasamunetyuu japanese edition stage gapinc com - Mar 06 2022

datemasamunetyuu japanese edition 1 datemasamunetyuu japanese edition national geographic japan ainu economic plants

abroad in japan let s go japan 1st ed the japanese tea ceremony national geographic traveler japan 4th edition an official guide to eastern asia north eastern japan

date masamune useful notes tv tropes - May 08 2022

the one eyed dragon and the reason why japanese has the word for flashy note the daimyo not the blacksmith that guy s someone else date note masamune 1567 1636 is one of the most famous feudal era daimyo of japan nicknamed dokuganryuu one single eyed dragon by later generations and known for his helmet adorned with a huge

datemasamunejou japanese edition kindle edition - Jun 21 2023

jun 9 2016 buy datemasamunejou japanese edition read kindle store reviews amazon com

datemasamunejou japanese edition ebook kindle - Dec 15 2022

compre o ebook datemasamunejou japanese edition de takemoto tomoshige na loja ebooks kindle encontre ofertas os livros mais vendidos e dicas de leitura na amazon brasil

datemasamunejou japanese edition kindle edition amazon in - Feb 17 2023

datemasamunejou japanese edition ebook takemoto tomoshige amazon in kindle store

datemasamunetyuu japanese edition pdf descargar ebook - Nov 14 2022

download datemasamunetyuu japanese edition pdf epub mobi y otros formatos descargar libros electrónicos en 99ebooks

datemasamunejou japanese edition kindle edition - Mar 18 2023

datemasamunejou japanese edition ebook takemoto tomoshige amazon com au kindle store

datemasamunetyuu japanese edition ebook amazon in - Jul 10 2022

datemasamunetyuu japanese edition ebook takemoto tomoshige amazon in kindle ☐ ☐ ☐

datemasamunege japanese edition kindle edition amazon in - Aug 11 2022

datemasamunege japanese edition ebook takemoto tomoshige amazon in kindle store

datemasamunetyuu japanese edition kindle edition - Jul 22 2023

dec 14 2016 amazon com datemasamunetyuu japanese edition ebook takemoto tomoshige kindle store

japanese man detained in march formally arrested in china - Feb 05 2022

oct 20 2023 china has formally arrested a japanese man who was detained in march according to officials from japan s ministry of foreign affairs mofa and the japanese embassy in beijing

datemasamunejou japanese edition edición kindle - Sep 12 2022

datemasamunejou japanese edition ebook takemoto tomoshige amazon com mx tienda kindle

datemasamunejou japanese edition versión kindle amazon es - Oct 13 2022

datemasamunejou japanese edition ebook takemoto tomoshige amazon es tienda kindle

datemasamunetyuu japanese edition kindle ausgabe amazon de - Apr 19 2023

datemasamunetyuu japanese edition ebook takemoto tomoshige amazon de kindle shop

japanese carmaker mitsubishi ending production in china - Apr 07 2022

9 hours ago mitsubishi motors will stop producing vehicles in china in the latest sign of retreat by foreign automakers in the world s biggest car market following weeks of speculation the japanese

datemasamunetyuu japanese edition kindle edition amazon in - Sep 24 2023

datemasamunetyuu japanese edition ebook takemoto tomoshige amazon in kindle store

datemasamunetyuu japanese edition ebook kindle - May 20 2023

compre o ebook datemasamunetyuu japanese edition de takemoto tomoshige na loja ebooks kindle encontre ofertas os livros mais vendidos e dicas de leitura na amazon brasil

amazon com customer reviews datemasamunetyuu japanese edition - Aug 23 2023

find helpful customer reviews and review ratings for datemasamunetyuu japanese edition at amazon com read honest and unbiased product reviews from our users

datemasamunetyuu japanese edition edición kindle - Jan 16 2023

datemasamunetyuu japanese edition ebook takemoto tomoshige amazon com mx tienda kindle

sample o level cie computer project orientation sutd edu - Feb 06 2023

web cambridge o level is an internationally recognised qualification designed for 14 16 year olds it is equivalent to cambridge igcse and the uk gcse computer studies project sample computer studies slide shows 2012 1 december 1 about us striving for computer studies project sample gcse computer science cie this section is

past papers o levels computer science 2210 gce guide - Aug 12 2023

web aug 13 2023 read more past papers of o levels computer science 2210 cambridge o levels cambridge igcse cambridge int l as a levels caie past papers for cambridge o level cambridge int l as and a

sample computer project o level cambridge - Jan 05 2023

web o level computer project xtremepapers community june 18th 2018 plz can any one provide my with o level computer studies project as sample i will be thankful to you cambridge o level subjects june 21st 2018 you can choose from more than 40 cambridge o level subjects in any many schools have moved easily from cambridge

cambridge o level - Jul 11 2023

web cambridge o level computer science 2210 11 paper 1 may june 2021 mark scheme maximum mark 75 cambridge international a and as level components and some cambridge o level components 2210 11 cambridge o level mark scheme published example of type of algorithm that would be used e g rle

[sample computer project o level cambridge copy - Sep 01 2022](#)

web of this sample computer project o level cambridge by online you might not require more get older to spend to go to the book start as skillfully as search for them in some cases you likewise get not discover the proclamation sample computer project o level cambridge that you are looking for it will agreed squander the time

download free sample computer project o level cambridge - Jul 31 2022

web sample computer project o level cambridge gce o level examination past papers with answer guides english language india edition jun 24 2023 these collections of the official past papers of the gce o level examinations from the university of cambridge international examinations has been developed for students of gce o level these

download free sample computer project o level cambridge - Oct 02 2022

web sample computer project o level cambridge cambridge o level economics student s book aug 19 2022 endorsed by cambridge international examinations the books cover the cambridge syllabus 2281 project in secondary mathematics jan 12 2022 geography in british schools 1850 2000 mar 22 2020

sample computer project o level cambridge uniport edu - May 29 2022

web jun 2 2023 right here we have countless book sample computer project o level cambridge and collections to check out we additionally present variant types and plus type of the books to browse

sample computer project o level cambridge 2023 - Nov 03 2022

web contains information on the three major aspects of the total project programme the techniques and procedures utilized for a project the experience and analytical ability of project personnel and the commitment and teamwork of a project group cambridge igcse and o level geography coursebook with cd rom mar 28 2022

samplecomputerprojectolevelcambridge pdf - Jun 29 2022

web computing handbook third edition summaries of projects completed click start level 7 computer methods in the analysis of large scale social systems cambridge igcse and o level computer science programming book for python cambridge igcse computer science title list of documents made publicly available cambridge igcse

cambridge o level computer science 2210 - Oct 14 2023

web specimen papers 2016 specimen paper 1 pdf 388kb 2016 specimen paper 1 mark scheme pdf 159kb 2016 specimen paper 2 pdf 325kb 2016 specimen paper 2 mark scheme pdf 129kb 2016 specimen paper 2 pre release material pdf 122kb 2023 specimen paper 1a pdf 940kb

sample o level cie computer project orientation sutd edu sg - Mar 07 2023

web april 29th 2018 plz can any one provide my with o level computer studies project as sample i will be thankful to you scheme of work cambridge o level computer studies 7010 march 22nd 2018 v1 2y05 cambridge o level computer studies

7010 2 syllabus ref learning objectives suggested teaching activities

computer science 2210 o level past papers papacambridge - Apr 27 2022

web mar 24 2023 computer science updates 05 october 2019 cambridge o level computer science 2210 past papers and other resources are now available 22 april 2020 all content for cambridge o level computer science 2210 has been updated 20 may june 2020 all content for cambridge o level computer science 2210 has been

cambridge o level computer science 2210 - Feb 23 2022

web computer science for cambridge igcse and o level second edition cambridge university press build on the fundamentals of computational thinking and programming brought to you through real life contexts and microsoft research case studies new features and programming workbooks give your students the tools they need to study with

cambridge o level computer science gce guide - Sep 13 2023

web 16 cambridge o level computer science 2210 example candidate response middle examiner comment middle in part a this candidate correctly states that ssl is secure sockets layer in part b they mix up stages 2 and 4 in the sequence the browser needs the server to identify itself before it can carry out any further stages

syllabus cambridge o level computer science 2210 - Jun 10 2023

web cambridge o level computer science 2210 use this syllabus for exams in 2023 2024 and 2025 exams are available in the june and november series example candidate responses learner guides past papers and mark schemes specimen paper answers planning and preparation

study computer science cambridge university press - Apr 08 2023

web description features contents develop your learners skills and confidence with our programming book for python created to support students undertaking the cambridge igcse and o level computer science syllabuses 0478 0984 2210 this resource provides tailored support for students programming with python

cambridge o level computer science 2210 - Mar 27 2022

web supports the full syllabus for examination from 2023 build upon the fundamentals of computational thinking and programming with this coursebook which develops students mathematical computational thinking and programming knowledge bring computer science to life through real life contexts and applications including a new introduction to

syllabus cambridge o level computer science 2210 - May 09 2023

web cambridge o level computer science is an ideal foundation for further study in computer science understanding the principles of computer science provides learners with the underpinning knowledge required for many other subjects in science and engineering and the skills learnt can also be used in

sample computer project o level cambridge 2023 - Dec 04 2022

web rather than enjoying a good book with a cup of coffee in the afternoon instead they cope with some malicious virus inside their desktop computer sample computer project o level cambridge is available in our digital library an online access to it is set as public so you can download it instantly