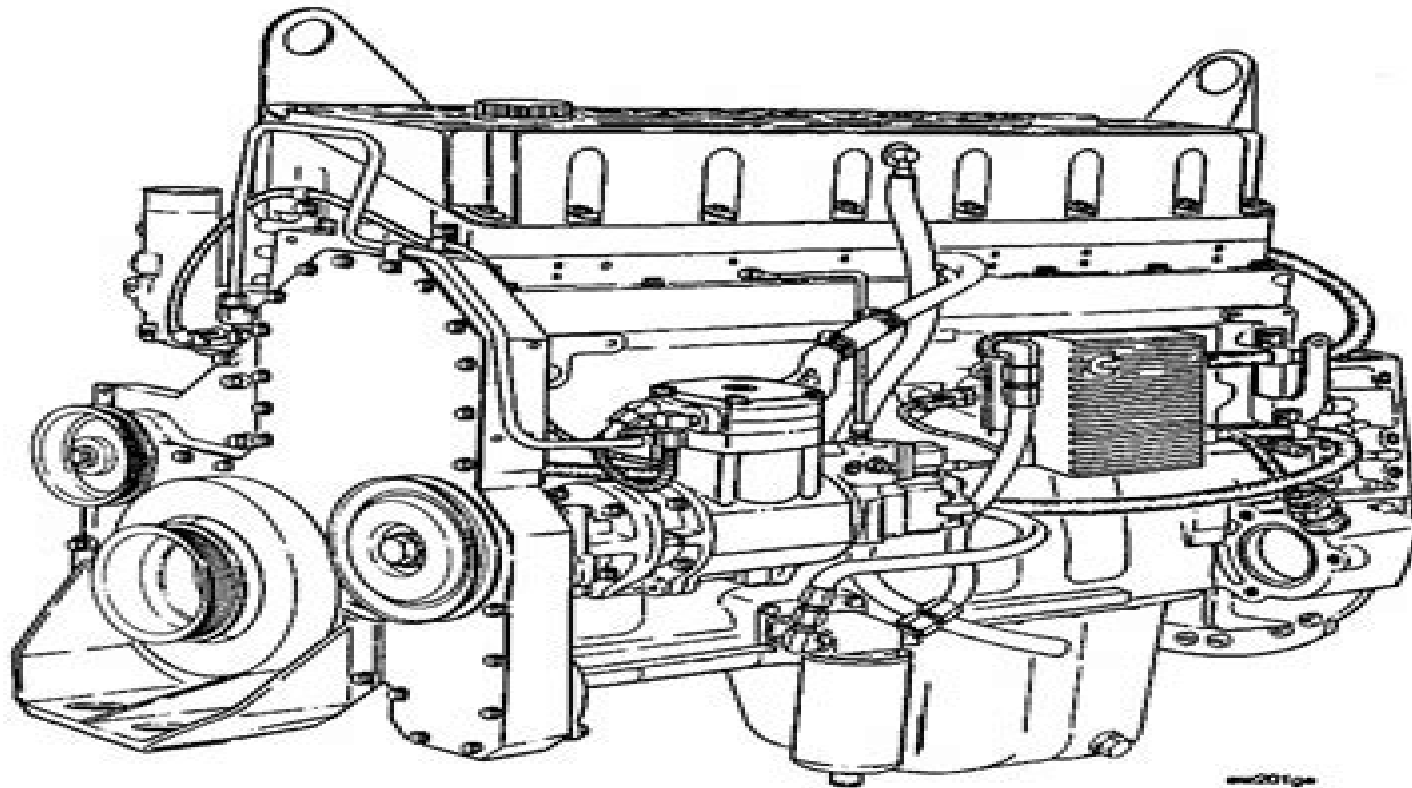


# Shop Manual M11 Series Engines



—201—

# M11 Workshop Manual

**DP Hallahan**



## **M11 Workshop Manual:**

This is likewise one of the factors by obtaining the soft documents of this **M11 Workshop Manual** by online. You might not require more period to spend to go to the book commencement as well as search for them. In some cases, you likewise get not discover the broadcast M11 Workshop Manual that you are looking for. It will entirely squander the time.

However below, behind you visit this web page, it will be fittingly very simple to acquire as skillfully as download guide M11 Workshop Manual

It will not endure many epoch as we accustom before. You can reach it even though exploit something else at house and even in your workplace. hence easy! So, are you question? Just exercise just what we have the funds for under as with ease as review **M11 Workshop Manual** what you like to read!

<https://staging.conocer.cide.edu/public/scholarship/index.jsp/manual%20uso%20hyundai%20ix35.pdf>

## **Table of Contents M11 Workshop Manual**

1. Understanding the eBook M11 Workshop Manual
  - The Rise of Digital Reading M11 Workshop Manual
  - Advantages of eBooks Over Traditional Books
2. Identifying M11 Workshop Manual
  - Exploring Different Genres
  - Considering Fiction vs. Non-Fiction
  - Determining Your Reading Goals
3. Choosing the Right eBook Platform
  - Popular eBook Platforms
  - Features to Look for in an M11 Workshop Manual
  - User-Friendly Interface
4. Exploring eBook Recommendations from M11 Workshop Manual
  - Personalized Recommendations

- M11 Workshop Manual User Reviews and Ratings
- M11 Workshop Manual and Bestseller Lists
- 5. Accessing M11 Workshop Manual Free and Paid eBooks
  - M11 Workshop Manual Public Domain eBooks
  - M11 Workshop Manual eBook Subscription Services
  - M11 Workshop Manual Budget-Friendly Options
- 6. Navigating M11 Workshop Manual eBook Formats
  - ePub, PDF, MOBI, and More
  - M11 Workshop Manual Compatibility with Devices
  - M11 Workshop Manual Enhanced eBook Features
- 7. Enhancing Your Reading Experience
  - Adjustable Fonts and Text Sizes of M11 Workshop Manual
  - Highlighting and Note-Taking M11 Workshop Manual
  - Interactive Elements M11 Workshop Manual
- 8. Staying Engaged with M11 Workshop Manual
  - Joining Online Reading Communities
  - Participating in Virtual Book Clubs
  - Following Authors and Publishers M11 Workshop Manual
- 9. Balancing eBooks and Physical Books M11 Workshop Manual
  - Benefits of a Digital Library
  - Creating a Diverse Reading Collection M11 Workshop Manual
- 10. Overcoming Reading Challenges
  - Dealing with Digital Eye Strain
  - Minimizing Distractions
  - Managing Screen Time
- 11. Cultivating a Reading Routine M11 Workshop Manual
  - Setting Reading Goals M11 Workshop Manual
  - Carving Out Dedicated Reading Time
- 12. Sourcing Reliable Information of M11 Workshop Manual
  - Fact-Checking eBook Content of M11 Workshop Manual

- Distinguishing Credible Sources
13. Promoting Lifelong Learning
    - Utilizing eBooks for Skill Development
    - Exploring Educational eBooks
  14. Embracing eBook Trends
    - Integration of Multimedia Elements
    - Interactive and Gamified eBooks

### **M11 Workshop Manual Introduction**

In this digital age, the convenience of accessing information at our fingertips has become a necessity. Whether its research papers, eBooks, or user manuals, PDF files have become the preferred format for sharing and reading documents. However, the cost associated with purchasing PDF files can sometimes be a barrier for many individuals and organizations. Thankfully, there are numerous websites and platforms that allow users to download free PDF files legally. In this article, we will explore some of the best platforms to download free PDFs. One of the most popular platforms to download free PDF files is Project Gutenberg. This online library offers over 60,000 free eBooks that are in the public domain. From classic literature to historical documents, Project Gutenberg provides a wide range of PDF files that can be downloaded and enjoyed on various devices. The website is user-friendly and allows users to search for specific titles or browse through different categories. Another reliable platform for downloading M11 Workshop Manual free PDF files is Open Library. With its vast collection of over 1 million eBooks, Open Library has something for every reader. The website offers a seamless experience by providing options to borrow or download PDF files. Users simply need to create a free account to access this treasure trove of knowledge. Open Library also allows users to contribute by uploading and sharing their own PDF files, making it a collaborative platform for book enthusiasts. For those interested in academic resources, there are websites dedicated to providing free PDFs of research papers and scientific articles. One such website is Academia.edu, which allows researchers and scholars to share their work with a global audience. Users can download PDF files of research papers, theses, and dissertations covering a wide range of subjects. Academia.edu also provides a platform for discussions and networking within the academic community. When it comes to downloading M11 Workshop Manual free PDF files of magazines, brochures, and catalogs, Issuu is a popular choice. This digital publishing platform hosts a vast collection of publications from around the world. Users can search for specific titles or explore various categories and genres. Issuu offers a seamless reading experience with its user-friendly interface and allows users to download PDF files for offline reading. Apart from dedicated platforms, search engines also play a crucial role in finding free PDF files. Google, for instance, has an advanced search

feature that allows users to filter results by file type. By specifying the file type as "PDF," users can find websites that offer free PDF downloads on a specific topic. While downloading M11 Workshop Manual free PDF files is convenient, its important to note that copyright laws must be respected. Always ensure that the PDF files you download are legally available for free. Many authors and publishers voluntarily provide free PDF versions of their work, but its essential to be cautious and verify the authenticity of the source before downloading M11 Workshop Manual. In conclusion, the internet offers numerous platforms and websites that allow users to download free PDF files legally. Whether its classic literature, research papers, or magazines, there is something for everyone. The platforms mentioned in this article, such as Project Gutenberg, Open Library, Academia.edu, and Issuu, provide access to a vast collection of PDF files. However, users should always be cautious and verify the legality of the source before downloading M11 Workshop Manual any PDF files. With these platforms, the world of PDF downloads is just a click away.

## **FAQs About M11 Workshop Manual Books**

1. Where can I buy M11 Workshop Manual books? Bookstores: Physical bookstores like Barnes & Noble, Waterstones, and independent local stores. Online Retailers: Amazon, Book Depository, and various online bookstores offer a wide range of books in physical and digital formats.
2. What are the different book formats available? Hardcover: Sturdy and durable, usually more expensive. Paperback: Cheaper, lighter, and more portable than hardcovers. E-books: Digital books available for e-readers like Kindle or software like Apple Books, Kindle, and Google Play Books.
3. How do I choose a M11 Workshop Manual book to read? Genres: Consider the genre you enjoy (fiction, non-fiction, mystery, sci-fi, etc.). Recommendations: Ask friends, join book clubs, or explore online reviews and recommendations. Author: If you like a particular author, you might enjoy more of their work.
4. How do I take care of M11 Workshop Manual books? Storage: Keep them away from direct sunlight and in a dry environment. Handling: Avoid folding pages, use bookmarks, and handle them with clean hands. Cleaning: Gently dust the covers and pages occasionally.
5. Can I borrow books without buying them? Public Libraries: Local libraries offer a wide range of books for borrowing. Book Swaps: Community book exchanges or online platforms where people exchange books.
6. How can I track my reading progress or manage my book collection? Book Tracking Apps: Goodreads, LibraryThing, and Book Catalogue are popular apps for tracking your reading progress and managing book collections. Spreadsheets:

You can create your own spreadsheet to track books read, ratings, and other details.

7. What are M11 Workshop Manual audiobooks, and where can I find them? Audiobooks: Audio recordings of books, perfect for listening while commuting or multitasking. Platforms: Audible, LibriVox, and Google Play Books offer a wide selection of audiobooks.
8. How do I support authors or the book industry? Buy Books: Purchase books from authors or independent bookstores. Reviews: Leave reviews on platforms like Goodreads or Amazon. Promotion: Share your favorite books on social media or recommend them to friends.
9. Are there book clubs or reading communities I can join? Local Clubs: Check for local book clubs in libraries or community centers. Online Communities: Platforms like Goodreads have virtual book clubs and discussion groups.
10. Can I read M11 Workshop Manual books for free? Public Domain Books: Many classic books are available for free as they're in the public domain. Free E-books: Some websites offer free e-books legally, like Project Gutenberg or Open Library.

### **Find M11 Workshop Manual :**

*manual uso hyundai ix35*

[manual white balance nikon d7000](#)

**manual usuario peugeot expert**

~~manual usuario volkswagen gol 2005~~

**manual treadmill ratings**

[manual vw caddy](#)

**manual white test stata**

*manual uso iveco daily*

**manual tm1517 deere**

~~manual x6 romana~~

[manual therapy phrases](#)

~~manual testing companies in mumbai~~

*manual utilizzare opel corsa d*

**manual white balance nikon d90**

[manual transmission rebuild](#)



**M11 Workshop Manual :****istanbulwalks your local guide in turkey** - Oct 25 2021watch the walking dead daryl dixon episode 1 now for free - Jun 20 2021**bbc four winter walks series 1 episode guide** - Feb 09 2023

web adrian chiles walks around scarborough chatting about life faith and mental health

**ten winter walks for the whole family forestry and land scotland** - Feb 26 2022

web 1 day ago melissa mcbride s return as carol in the walking dead daryl dixon was speculated when she was seen shooting scenes for season 2 jeffery dean morgan

istanbul 2022 rain walk istiklal caddesi walking tour 4k - Sep 23 2021**9 fun ideas for family winter walks woodland trust** - Aug 03 2022

web topkapı palace hagia irene church from outside caferaga medrese sogukcesme street hagia sophia roman hippodrome blue mosque germain fountain hagia irene

**will carol appear in the walking dead daryl dixon screen rant** - May 20 2021**26 of the uk s most scenic places to take the best winter walks in** - Nov 25 2021**the walking dead daryl dixon episode 1 recap and review** - Mar 18 2021**30 of the uk s most beautiful winter walks countryfile com** - May 12 2023

web dec 14 2020 head out into the fresh air and get inspired by our ideas for family winter walks go a scavenger hunt pack a winter picnic spot wildlife and more

every the walking dead show that exists and is in the works - Jul 22 2021**winter walks south west coast path** - Jul 02 2022

web rain walk in istanbul turkey enjoy a stroll through one of the most beautiful cities in the world istanbul turkey enjoy a walk along the istiklal istanb

*winter walk seasonal walks amazon com* - Apr 11 2023

web winter walks winter walks in north devon winter walks in north cornwall winter walks in west cornwall winter walks in se cornwall winter walks in south devon

**how to stay fit with winter walking walking in snow** - Jun 13 2023

web jan 24 2017 with the right clothing you might even enjoy winter walking first layer start with a light synthetic fabric such as cool max or polypropylene closest to your skin it

**bbc four winter walks episode guide** - Apr 30 2022

web following a completely different group of survivors who started off in california fear twd is currently in production on its eighth season morgan lennie james dwight austin

*top 10 uk winter walks chosen by travel and nature* - Jul 14 2023

web find books like winter walk seasonal walks from the world s largest community of readers goodreads members who liked winter walk seasonal walks also

*dark days are a time to replenish how to walk well in winter* - Jan 28 2022

web sep 8 2023 while there s still hope for that in a second season with the show having already been renewed prior to its launch the walking dead daryl dixon premieres

the walking dead daryl dixon review norman reedus reloads - Apr 18 2021

**bbc four winter walks** - Mar 10 2023

web dec 29 2021 top 10 uk winter walks chosen by travel and nature writers the british countryside is especially dramatic in winter and ideal for a walk to blow away the

**where to go for a winter walk in dubai lonely planet** - Nov 06 2022

web dec 30 2022 fri 30 dec 2022 03 00 est last modified on thu 5 jan 2023 01 37 est i want to love winter walking but i have two problems one i m not very keen on winter

*10 amazing winter walks tours trips 2023 2024 tourradar* - Dec 27 2021

web sep 11 2023 alpha in the walking dead was a chilling nemesis and a great change of pace from negan but since then almost every villain has been a woman including

**winter walking in austrian tyrol** - Oct 05 2022

web best winter walks in the world tourradar has collected the best winter walks trips there are 19 adventures to choose from visiting 9 different countries tours range in

11 winter 2023 coat trends to know and shop vogue - Aug 23 2021

**10 of the best winter walks in the uk the guardian** - Mar 30 2022

web 1 day ago the walking dead daryl dixon episode 1 is now available to watch online for free following the spinoff show s premiere on amc earlier this month although the

**winter walks travel the guardian** - Jun 01 2022

web sep 4 2023 the top winter coat trends of 2023 range from tried and true traditional camel coats to statement shearing coats that add a runway inspired contemporary twist

**winter walk seasonal walks kindle edition amazon com** - Jan 08 2023

web dec 28 2019 10 of the best winter walks in the uk frosty landscapes pale winter light and the promise of a pub fire nothing blows away the post christmas cobwebs like a

**what to see on a winter walk an experts guide to** - Aug 15 2023

web aug 1 2014 slide step and stomp through the snow with grammy as she takes her grandkids on a winter adventure as they explore the woods they spot a cardinal learn

*no excuses how to layer up for walking in cold weather* - Sep 04 2022

web jan 28 2022 gallow hill dumfries and galloway winter walkers near dunblane credit alamy images gallow hill is quiet and wooded and walking across it will take you to

*books similar to winter walk seasonal walks goodreads* - Dec 07 2022

web jan 6 2020 grab the right all weather gear and stay warm and a winter walk can be a memorable magical experience we asked staff from around the country to tell us their

sprachkurs hund mit martin rutter körpersprache u - Jun 01 2022

web fictions to scientific research in any way accompanied by them is this sprachkurs hund mit martin rutter körpersprache u that can be your partner crippen john boyne 2007

**sprachkurs hund mit martin rütter kosmos** - Jun 13 2023

web mit dem sprachkurs hund kann man hundeverhalten schritt für schritt verstehen vom einsatz der körpersprache über die mimik bis hin zu lautäußerungen zeigt martin rütter

**sprachkurs hund mit martin rütter thalia** - May 12 2023

web jetzt sprachkurs hund mit martin rütter körpersprache und kommunikation online bei schecker bestellen schneller versand gute produkte bestell hotline 0848 121312

**sprachkurs hund mit martin rütter körpersprache verstehen** - Dec 07 2022

web diese dvd und das buch sind der erfolgreiche schlüssel zur kommunikation zwischen mensch und hund hier wird nicht nur der vierbeiner beleuchtet sondern auch die

*sprachkurs hund mit martin rütter körpersprache - Feb 09 2023*

web sprachkurs hund mit martin rütter körpersprache verstehen richtig kommunizieren von martin rütter gebundene  
ausgabe bei medimops de bestellen gebraucht günstig

*sprachkurs hund mit martin rütter körpersprache und - Jul 14 2023*

web warum verbeugen sich hunde vor artgenossen mit dem sprachkurs hund kann man hundeverhalten schritt für schritt  
verstehen vom einsatz der körpersprache über die

sprachkurs hund martin rütter abebooks - Aug 03 2022

web sprachkurs hund mit martin rütter körpersprache u 3 3 florence s personal reflections will guide you and open you to  
new and different ways 4 sprachkurs hund mit

**sprachkurs hund mit martin rütter körpersprache u** - Mar 30 2022

web sind hunde immer freundlich wenn sie wedeln gähnt der hund weil er müde ist warum verbeugen sich hunde vor  
artgenossen mit dem sprachkurs hund kann man

sprachkurs hund haustiere nutztier biologie allgemein - Nov 06 2022

web martin rütter körpersprache und sprachkurs hund mit martin rütter martin rütter andrea sprachkurs hund mit martin  
rütter von martin rütter sprachkurs hund mit martin

sprachkurs hund mit martin rütter körpersprache - Aug 15 2023

web sprachkurs hund mit martin rütter körpersprache und kommunikation rütter martin buisman andrea amazon de books

sprachkurs hund mit martin rütter google books - Jan 08 2023

web martin rütter sprachkurs hund körpersprache und kommunikation artikelnummer 6206780 sind hunde immer freundlich  
wenn sie wedeln gähnt der hund weil er

*sprachkurs hund mit martin rütter körpersprache und - Sep 04 2022*

web sprachkurs hund mit martin rütter körpersprache und kommunikation by martin rütter schritt für schritt verstehen vom  
einsatz der körpersprache über die mimik may 23rd

sprachkurs hund mit martin rütter körpersprache und - Mar 10 2023

web mit dem sprachkurs hund kann man hundeverhalten schritt für schritt verstehen vom einsatz der körpersprache über die  
mimik bis hin zu lautäußerungen zeigt martin rütter

**martin rütter sprachkurs hund amazon de** - Oct 05 2022

web sprachkurs hund körpersprache verstehen richtig kommunizieren rütter s dogs für menschen mit hund martin rütter mit  
farbfotos von melanie grande

*sprachkurs hund mit martin rütter körpersprache und - Jul 02 2022*

web sprachkurs hund mit martin rutter körpersprache u 1 sprachkurs hund mit martin rutter körpersprache u seahorses are sold out the enchantment of lily dahl words

**deutsch türkisch Übersetzung für hund deutsch tuerkisch net** - Dec 27 2021

web sprachkurs hund mit martin rütter buch versandkostenfrei sprachkurs hund mit martin rütter hunde loesdau

trainingstipps martin rütter dogs martin rütter hund bücher amp

sprachkurs hund mit martin rutter körpersprache u - Jan 28 2022

web warum verbeugen sich hunde vor artgenossen mit dem sprachkurs hund kann man hundeverhalten schritt für schritt verstehen vom einsatz der körpersprache über die

**sprachkurs hund mit martin rutter körpersprache u** - Apr 30 2022

web mit dem sprachkurs hund kann man hundeverhalten schritt fr schritt verstehen vom einsatz der krpersprache ber die mimik bis hin zu lautuerungen zeigt martin rtter alle

**pdf sprachkurs hund mit martin rutter körpersprache u** - Feb 26 2022

web deutsch tuerkisch net hund auf türkisch übersetzen hund deutsch türkische übersetzung hund in türkisch

*sprachkurs hund mit martin rütter kosmos de* - Nov 25 2021

sprachkurs hund mit martin rütter körpersprache und - Oct 25 2021

*buch sprachkurs hund mit martin rütter neuauflage* - Apr 11 2023

web entdecken sie sprachkurs hund mit martin rütter körpersprache und kommunikation hundeprofi in der großen auswahl bei ebay kostenlose lieferung für

*das ultimative praxisbuch zu windows phone 8 taschenbuch* - Jan 27 2022

web das ultimative praxisbuch zu windows phone 8 erklärt ihnen auf über 650 seiten das microsoft betriebssystem für smartphones das handbuch bringt ihnen die

*windows phone 8 kochbuch für professionelle apps paperback* - Jun 12 2023

web windows phone 8 kochbuch für professionelle apps matthias fischer amazon de books

**windows phone 8 kochbuch für professionelle apps overdrive** - Sep 03 2022

web windows phone 8 kochbuch für professionelle apps overdrive

*windows phone 8 kochbuch für professionelle apps abebooks* - May 11 2023

web windows phone 8 kochbuch für professionelle apps von matthias fischer bei abebooks de isbn 10 3868021078 isbn 13 9783868021073 entwickler press

windows phone 8 kochbuch für professionelle apps ebook - Dec 06 2022

web windows phone 8 kochbuch für professionelle apps ebook fischer matthias amazon de bücher

windows phone 8 kochbuch für professionelle apps german - Aug 02 2022

web oct 9 2013 buy windows phone 8 kochbuch für professionelle apps german edition read kindle store reviews amazon com

windows phone 8 kochbuch für professionelle apps - Aug 14 2023

web windows phone 8 kochbuch für professionelle apps matthias fischer isbn 9783868021073 kostenloser versand für alle bücher mit versand und verkauf duch

windows phone 8 kochbuch für professionelle apps paperback - Jul 01 2022

web windows phone 8 kochbuch für professionelle apps on amazon com au free shipping on eligible orders windows phone 8 kochbuch für professionelle apps

**microsoft windows phone 8 wikipedia** - Sep 22 2021

web microsoft windows phone 8 oder auch microsoft windows phone 8 1 genannt ist ein betriebssystem des us amerikanischen unternehmens microsoft für mobiltelefone es

*das windows phone 8 das schnelle farbige handbuch einfach* - Dec 26 2021

web das windows phone 8 das schnelle farbige handbuch einfach alles können sonstige bücher m t immler christian isbn 9783827248275 kostenloser versand für alle

**windows phone 8 kochbuch für professionelle apps download** - Mar 29 2022

web 4 windows phone 8 kochbuch für professionelle apps 2020 01 05 volved what kind of trouble are the girls stirring up for themselves css cookbook o reilly media inc

**windows phone 8 kochbuch für professionelle apps goodreads** - Oct 04 2022

web es handelt sich dabei um ein komplett überarbeitetes betriebssystem welches sich einen gemeinsamen systemkern mit windows 8 teilt windows phone 8 bietet auf der basis

*Übersicht aller wp8 applikationen* - Nov 24 2021

web diese windows phone 8 applikation zeigt ihnen das aktuelle fernsehprogramm an es sind deutsche österreichische sowie schweizer sender verfügbar desweiteren ist für sf1

windows phone 8 kochbuch für professionelle apps paperback - Feb 08 2023

web windows phone 8 kochbuch für professionelle apps fischer matthias amazon co uk books

*windows phone 8 kochbuch für professionelle apps ci kubesail* - Feb 25 2022

web windows phone 8 kochbuch für professionelle apps 3 3 common tasks if you are an administrator who wants to master

microsoft server virtualization with windows server

*windows phone 8 kochbuch für professionelle apps e book* - Jul 13 2023

web lese windows phone 8 kochbuch für professionelle apps gratis von matthias fischer verfügbar als e book jetzt 14 tage gratis testen 30 tage gratis jederzeit kündbar

**windows phone 8 kochbuch für professionelle apps german** - May 31 2022

web windows phone 8 kochbuch für professionelle apps german edition ebook fischer matthias amazon in kindle store

*windows phone 8 kochbuch für professionelle apps paperback* - Apr 10 2023

web sep 30 2013 windows phone 8 kochbuch für professionelle apps fischer matthias on amazon com free shipping on qualifying offers windows phone 8 kochbuch

**windows phone 8 kochbuch für professionelle apps paperback** - Nov 05 2022

web amazon in buy windows phone 8 kochbuch für professionelle apps book online at best prices in india on amazon in read windows phone 8 kochbuch für

**windows phone 8 on apple books** - Jan 07 2023

web dieses buch ist ein begleiter auf ihrem weg von der net entwicklung mit c hin zur mobilen anwendungsentwicklung auf der windows phone 8 plattform genre

**get it done auf windows phone 8 aufgabenliste und task** - Oct 24 2021

web die benutzerfreundlichste aufgabenliste mit task manager jetzt auch auf windows phone 8 greifen sie mit ihrem windows phone 8 von überall aus drahtlos auf ihr online

*windows phone 8 kochbuch für professionelle apps ebook* - Apr 29 2022

web windows phone 8 kochbuch für professionelle apps ebook fischer matthias amazon de books

**windows phone 8 kochbuch für professionelle apps ebook** - Mar 09 2023

web oct 10 2013 mit windows phone 8 wird die microsoft plattform mobil microsoft geht mit ihrem hauseigenen mobilen betriebssystem in die zweite runde dabei ist die