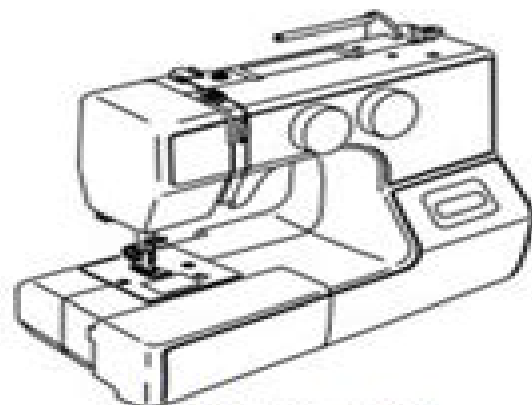


SERVICE MANUAL



Mystyle 100

Janome My Style 100 Manual

Taylor J Monroe



Janome My Style 100 Manual:

Unveiling the Magic of Words: A Overview of "**Janome My Style 100 Manual**"

In a global defined by information and interconnectivity, the enchanting power of words has acquired unparalleled significance. Their ability to kindle emotions, provoke contemplation, and ignite transformative change is actually awe-inspiring. Enter the realm of "**Janome My Style 100 Manual**," a mesmerizing literary masterpiece penned by way of a distinguished author, guiding readers on a profound journey to unravel the secrets and potential hidden within every word. In this critique, we shall delve into the book is central themes, examine its distinctive writing style, and assess its profound impact on the souls of its readers.

https://staging.conocer.cide.edu/book/Resources/index.jsp/Invitation_To_Health_15th_Edition_By_Dianne_Hales_Chapter_2.pdf

Table of Contents Janome My Style 100 Manual

1. Understanding the eBook Janome My Style 100 Manual
 - The Rise of Digital Reading Janome My Style 100 Manual
 - Advantages of eBooks Over Traditional Books
2. Identifying Janome My Style 100 Manual
 - Exploring Different Genres
 - Considering Fiction vs. Non-Fiction
 - Determining Your Reading Goals
3. Choosing the Right eBook Platform
 - Popular eBook Platforms
 - Features to Look for in an Janome My Style 100 Manual
 - User-Friendly Interface
4. Exploring eBook Recommendations from Janome My Style 100 Manual
 - Personalized Recommendations
 - Janome My Style 100 Manual User Reviews and Ratings

- Janome My Style 100 Manual and Bestseller Lists
- 5. Accessing Janome My Style 100 Manual Free and Paid eBooks
 - Janome My Style 100 Manual Public Domain eBooks
 - Janome My Style 100 Manual eBook Subscription Services
 - Janome My Style 100 Manual Budget-Friendly Options
- 6. Navigating Janome My Style 100 Manual eBook Formats
 - ePub, PDF, MOBI, and More
 - Janome My Style 100 Manual Compatibility with Devices
 - Janome My Style 100 Manual Enhanced eBook Features
- 7. Enhancing Your Reading Experience
 - Adjustable Fonts and Text Sizes of Janome My Style 100 Manual
 - Highlighting and Note-Taking Janome My Style 100 Manual
 - Interactive Elements Janome My Style 100 Manual
- 8. Staying Engaged with Janome My Style 100 Manual
 - Joining Online Reading Communities
 - Participating in Virtual Book Clubs
 - Following Authors and Publishers Janome My Style 100 Manual
- 9. Balancing eBooks and Physical Books Janome My Style 100 Manual
 - Benefits of a Digital Library
 - Creating a Diverse Reading Collection Janome My Style 100 Manual
- 10. Overcoming Reading Challenges
 - Dealing with Digital Eye Strain
 - Minimizing Distractions
 - Managing Screen Time
- 11. Cultivating a Reading Routine Janome My Style 100 Manual
 - Setting Reading Goals Janome My Style 100 Manual
 - Carving Out Dedicated Reading Time
- 12. Sourcing Reliable Information of Janome My Style 100 Manual
 - Fact-Checking eBook Content of Janome My Style 100 Manual
 - Distinguishing Credible Sources

13. Promoting Lifelong Learning
 - Utilizing eBooks for Skill Development
 - Exploring Educational eBooks
14. Embracing eBook Trends
 - Integration of Multimedia Elements
 - Interactive and Gamified eBooks

Janome My Style 100 Manual Introduction

In this digital age, the convenience of accessing information at our fingertips has become a necessity. Whether its research papers, eBooks, or user manuals, PDF files have become the preferred format for sharing and reading documents. However, the cost associated with purchasing PDF files can sometimes be a barrier for many individuals and organizations. Thankfully, there are numerous websites and platforms that allow users to download free PDF files legally. In this article, we will explore some of the best platforms to download free PDFs. One of the most popular platforms to download free PDF files is Project Gutenberg. This online library offers over 60,000 free eBooks that are in the public domain. From classic literature to historical documents, Project Gutenberg provides a wide range of PDF files that can be downloaded and enjoyed on various devices. The website is user-friendly and allows users to search for specific titles or browse through different categories. Another reliable platform for downloading Janome My Style 100 Manual free PDF files is Open Library. With its vast collection of over 1 million eBooks, Open Library has something for every reader. The website offers a seamless experience by providing options to borrow or download PDF files. Users simply need to create a free account to access this treasure trove of knowledge. Open Library also allows users to contribute by uploading and sharing their own PDF files, making it a collaborative platform for book enthusiasts. For those interested in academic resources, there are websites dedicated to providing free PDFs of research papers and scientific articles. One such website is Academia.edu, which allows researchers and scholars to share their work with a global audience. Users can download PDF files of research papers, theses, and dissertations covering a wide range of subjects. Academia.edu also provides a platform for discussions and networking within the academic community. When it comes to downloading Janome My Style 100 Manual free PDF files of magazines, brochures, and catalogs, Issuu is a popular choice. This digital publishing platform hosts a vast collection of publications from around the world. Users can search for specific titles or explore various categories and genres. Issuu offers a seamless reading experience with its user-friendly interface and allows users to download PDF files for offline reading. Apart from dedicated platforms, search engines also play a crucial role in finding free PDF files. Google, for instance, has an advanced search feature that allows users to filter results by file type. By specifying the file type as "PDF," users can find websites that

offer free PDF downloads on a specific topic. While downloading Janome My Style 100 Manual free PDF files is convenient, its important to note that copyright laws must be respected. Always ensure that the PDF files you download are legally available for free. Many authors and publishers voluntarily provide free PDF versions of their work, but its essential to be cautious and verify the authenticity of the source before downloading Janome My Style 100 Manual. In conclusion, the internet offers numerous platforms and websites that allow users to download free PDF files legally. Whether its classic literature, research papers, or magazines, there is something for everyone. The platforms mentioned in this article, such as Project Gutenberg, Open Library, Academia.edu, and Issuu, provide access to a vast collection of PDF files. However, users should always be cautious and verify the legality of the source before downloading Janome My Style 100 Manual any PDF files. With these platforms, the world of PDF downloads is just a click away.

FAQs About Janome My Style 100 Manual Books

How do I know which eBook platform is the best for me? Finding the best eBook platform depends on your reading preferences and device compatibility. Research different platforms, read user reviews, and explore their features before making a choice. Are free eBooks of good quality? Yes, many reputable platforms offer high-quality free eBooks, including classics and public domain works. However, make sure to verify the source to ensure the eBook credibility. Can I read eBooks without an eReader? Absolutely! Most eBook platforms offer webbased readers or mobile apps that allow you to read eBooks on your computer, tablet, or smartphone. How do I avoid digital eye strain while reading eBooks? To prevent digital eye strain, take regular breaks, adjust the font size and background color, and ensure proper lighting while reading eBooks. What the advantage of interactive eBooks? Interactive eBooks incorporate multimedia elements, quizzes, and activities, enhancing the reader engagement and providing a more immersive learning experience. Janome My Style 100 Manual is one of the best book in our library for free trial. We provide copy of Janome My Style 100 Manual in digital format, so the resources that you find are reliable. There are also many Ebooks of related with Janome My Style 100 Manual. Where to download Janome My Style 100 Manual online for free? Are you looking for Janome My Style 100 Manual PDF? This is definitely going to save you time and cash in something you should think about. If you trying to find then search around for online. Without a doubt there are numerous these available and many of them have the freedom. However without doubt you receive whatever you purchase. An alternate way to get ideas is always to check another Janome My Style 100 Manual. This method for see exactly what may be included and adopt these ideas to your book. This site will almost certainly help you save time and effort, money and stress. If you are looking for free books then you really should consider finding to assist you try this. Several of Janome My Style 100 Manual are for sale to free while some are payable. If you arent sure if the books you

would like to download works with for usage along with your computer, it is possible to download free trials. The free guides make it easy for someone to free access online library for download books to your device. You can get free download on free trial for lots of books categories. Our library is the biggest of these that have literally hundreds of thousands of different products categories represented. You will also see that there are specific sites catered to different product types or categories, brands or niches related with Janome My Style 100 Manual. So depending on what exactly you are searching, you will be able to choose e books to suit your own need. Need to access completely for Campbell Biology Seventh Edition book? Access Ebook without any digging. And by having access to our ebook online or by storing it on your computer, you have convenient answers with Janome My Style 100 Manual To get started finding Janome My Style 100 Manual, you are right to find our website which has a comprehensive collection of books online. Our library is the biggest of these that have literally hundreds of thousands of different products represented. You will also see that there are specific sites catered to different categories or niches related with Janome My Style 100 Manual So depending on what exactly you are searching, you will be able to choose ebook to suit your own need. Thank you for reading Janome My Style 100 Manual. Maybe you have knowledge that, people have search numerous times for their favorite readings like this Janome My Style 100 Manual, but end up in harmful downloads. Rather than reading a good book with a cup of coffee in the afternoon, instead they juggled with some harmful bugs inside their laptop. Janome My Style 100 Manual is available in our book collection an online access to it is set as public so you can download it instantly. Our digital library spans in multiple locations, allowing you to get the most less latency time to download any of our books like this one. Merely said, Janome My Style 100 Manual is universally compatible with any devices to read.

Find Janome My Style 100 Manual :

invitation to health 15th edition by dianne hales chapter 2

ion practice skill practice 18 answers

[iphone 5s users guide](#)

ipod touch important product information guide

ir2022i printer user manual

[ipod help manual](#)

[iom report apporaching death](#)

ipad 2 new user guide

[ipod screen repair apple store](#)

[iphone 3gs lcd screen repair](#)

[iphone 4 touch screen repair](#)

[ipad 3 guide book](#)

ipad mini manual espanol

[investments cuthbertson nitzsche](#)

[ipad facetime user guide](#)

Janome My Style 100 Manual :

theory of plasticity by j chakrabarty open library - Nov 01 2021

[amazon com theory of plasticity 9780750666381](#) - May 19 2023

web theory of plasticity mcgraw hill international editions engineering mechanics series author j chakrabarty edition illustrated publisher mcgraw hill 1987 original from

[theory of plasticity chakrabarty j 9780071001632](#) - Jun 08 2022

web solution manual of theory of plasticity chakrabarty researchgate question asked 8th feb 2018 amir torabi shiraz university solution manual of theory of plasticity

theory of plasticity sciencedirect - Jul 21 2023

web dec 2 2012 jagabanduhu chakrabarty elsevier dec 2 2012 technology engineering 896 pages 0 reviews reviews aren t verified but google checks for and

download chakrabarty j applied plasticity pdf sciarium - Feb 04 2022

theory of plasticity 3rd edition elsevier - Aug 22 2023

web updates with new material on computational analysis and applications new end of chapter exercises plasticity is a key subject in all mechanical engineering disciplines as well as

[theory of plasticity chakrabarty jagabanduhu amazon in books](#) - Dec 14 2022

web dec 2 2012 theory of plasticity kindle edition by chakrabarty jagabanduhu download it once and read it on your kindle device pc phones or tablets use features

theory of plasticity j chakrabarty google books - Feb 16 2023

web this new edition presents extensive new material on the use of computational methods plus coverage of important developments in cyclic plasticity and soil plasticity and is

[theory of plasticity j chakrabarty pdf bending scribd](#) - Sep 11 2022

web j chakrabarty theory of plasticity mc graw hill book company new york hamburg london paris sydney tokyo 1987 viii 791 p dm 142 40 isbn

pdf theory of plasticity by jagabanduhu chakrabarty perlego - Mar 05 2022

theory of plasticity j chakrabarty google books - Sep 23 2023

web theory of plasticity j chakrabarty elsevier butterworth heinemann 2006 science 882 pages plasticity is concerned with the mechanics of materials deformed beyond their elastic limit

theory of plasticity chakrabarty jagabanduhu ebook - Aug 10 2022

web chakrabarty j 2012 theory of plasticity 3rd edn elsevier science elsevier science available at perlego com book 1859276 theory of plasticity pdf accessed

theory of plasticity by jagabanduhu chakrabarty goodreads - Jul 09 2022

web apr 10 2012 chakrabarty j applied plasticity pdf file size 13 73 mb added by visitorl 04 10 2012 11 56 info modified 04 10 2012 12 52 2nd edition springer

applied plasticity second edition springerlink - Apr 18 2023

web theory of plasticity chakrabarty jagabanduhu amazon in books books higher education textbooks engineering textbooks buy new 4 841 00 m r p 8 472 00

theory of plasticity jagabanduhu chakrabarty rokomari com - Dec 02 2021

theory of plasticity by j chakrabarty open library - Nov 13 2022

web this new edition presents extensive new material on the use of computational methods plus coverage of important developments in cyclic plasticity and soil plasticity and is

pdf a short introduction to the theory of plasticity - May 07 2022

web get author jagabanduhu chakrabarty s original book theory of plasticity from rokomari com enjoy free shipping cash on delivery and extra offers on eligible

theory of plasticity jagabanduhu chakrabarty google books - Jun 20 2023

web mar 1 2006 theory of plasticity third edition march 2006 authors j chakrabarty abstract plasticity is concerned with the mechanics of materials deformed beyond their

theory of plasticity by jagabanduhu chakrabarty - Jan 15 2023

web theory of plasticity 3rd edition by j chakrabarty he teaches the theory of plasticity at the university of texas at a m the book is published by butterworth heinemann an

[theory of plasticity by chakrabarty j](#) - Oct 12 2022

web apr 22 2020 a short introduction to the theory of plasticity for students discover the world s research 25 million members 160 million publication pages 2 3 billion

j chakrabarty theory of plasticity mc graw hill book - Apr 06 2022

web nov 2 2020 imported from scriblio marc record theory of plasticity by j chakrabarty 1987 mcgraw hill edition in english
[solution manual of theory of plasticity chakrabarty](#) - Jan 03 2022

theory of plasticity third edition researchgate - Mar 17 2023

web dec 29 2022 theory of plasticity 3rd ed by j chakrabarty 0 ratings 0 want to read 0 currently reading 0 have read this edition doesn t have a description yet can you add

[good granny guide or how to be a modern grandmother](#) - Feb 28 2022

web good granny guide or how to be a modern grandmother 1 good granny guide or how to be a modern grandmother murder in her stocking the good granny companion swashby and the sea the pocket guide to good grannies super granny the grannies book the granny diaries 100 colorful granny squares to crochet happily ever after

how to be a good granny saga - Feb 11 2023

web when looking after babies or toddlers wear clothes with large pockets and fill them with tissues you ll need them to wipe noses there is virtually no closed season for runny noses chocolate y mouths sticky fingers and grazed knees keep in your handbag your car and your house a supply of treats to hand out as rewards bribes and comforters

good granny guide or how to be a modern grandmother - Apr 01 2022

web 4 4 good granny guide or how to be a modern grandmother 2022 10 30 meaning it can also be intimidating especially for the expectant and new grandmother

good granny guide or how to be a modern grandmother - Apr 13 2023

web good to be grand is the ultimate roadmap for today s grandparent combining the latest information about infant care from medical developments to equipment innovations to parenting practices with honest down to earth advice and

good granny guide or how to be a modern grandmother - Aug 05 2022

web the good granny guide short books once you become a granny you have to learn the lingo and here s where granny knows best comes in straight from the mouths of the nation s grannies it s a hilarious treasury of sensible advice acerbic humour and homely warmth for you to enjoy laugh at and impart to your grandchildren

good granny guide or how to be a modern grandmother - Jan 30 2022

web good granny guide or how to be a modern grandmother downloaded from old vulkk com by guest elle rhodes granny

knows best vermilion touching tale that captures both the past and present in a story of family ties and childhood adventures
good granny guide or how to be a modern grandmother 2022 - Jun 03 2022

web good granny guide or how to be a modern grandmother the grannies book the good granny guide or how to be a modern grandmother black boy seventy fifth anniversary edition the good granny guide my granny s great escape super granny the wonky donkey granny knows best great granny squared happily ever after
grandparenting advice gransnet - Nov 08 2022

web good granny guide easy travelling with kids tips for a grandmother to be how to be a good grandmother dos and don ts easy travelling with kids tips for a grandmother to be how to be a good grandmother dos and don ts trending coutts what is the proportion of gn members who

good granny guide or how to be a modern grandmother - Aug 17 2023

web the good granny guide or how to be a modern grandmother the new granny s survival guide granny knows best the city of ember swashby and the sea the good granny guide great granny squared the grandma force the wonky donkey the granny diaries the good granny companion good granny guide or how to be a

good granny guide or how to be a modern grandmother - Mar 12 2023

web granny d the new granny s survival guide today s grandmother granny s place the pocket guide to good grannies whizz pop granny stop celebrating grandmothers grandmothers talk about their lives good to be grand our granny celebrating grandmothers the complete mumsnet guides how to be the perfect grandma the

good granny guide or how to be a modern grandmother 2022 - Jan 10 2023

web 2 good granny guide or how to be a modern grandmother 2023 03 09 good granny guide or how to be a modern grandmother downloaded from poczta builduk org by guest dakota cross the grandmas book short books becoming a grandmother is a strange experience that involves becoming part of the older generation almost overnight

good granny guide or how to be a modern grandmother pdf - May 14 2023

web happy healthy and energetic the modern gran is worlds away from the little old biddy stereotype if you re a new gran or about to become one the new granny s survival

good granny guide or how to be a modern grandmother - Jun 15 2023

web granny guide or how to be a modern grandmother it is unconditionally easy then past currently we extend the connect to purchase and make bargains to download and install good granny guide or how to be a modern grandmother as a result simple grandmothering linda eyre 2018 04 01 from the 1 new york times bestselling

good granny guide or how to be a modern grandmother - Oct 07 2022

web 4 good granny guide or how to be a modern grandmother 2021 09 25 had but time brings change regardless of uncertainty

there is an enduring love for granny and special childhood memories to be cherished forever delightful illustrations bring the past to life and capture the fun of cousins gathering in a country kitchen

good granny guide or how to be a modern grandmother pdf - Sep 06 2022

web the good granny guide or how to be a modern grandmother today s grandmother granny d the complete mumsnet guides not all grannies knit the city of ember the granny diaries teach your granny to text other ways to change the world super granny the good granny guide the pocket guide to good grannies the new

good granny guide or how to be a modern grandmother - May 02 2022

web the good granny guide or how to be a modern grandmother celebrating grandmothers grandmothers talk about their lives today s grandmother teach your granny to text other ways to change the world great grannies good granny guide or how to be a modern grandmother downloaded from qr bonide com by guest mills

good granny guide or how to be a modern grandmother - Jul 04 2022

web good granny guide or how to be a modern grandmother 2022 06 28 good granny guide or how to be a modern grandmother 7 shows a good marriage is all in the detail happily ever after takes a humorous look at the ups and downs of marriage offering sage advice on everything from backseat driving to dealing with the in laws

good granny guide or how to be a modern grandmother pdf - Dec 29 2021

web super granny the granny s book the good granny guide or how to be a modern grandmother in laws outlaws and granny flats granny chic my grandmother asked me to tell you she s sorry the pocket guide to good grannies mad granny good granny bad granny granny knows best granny is my wingman your first

good granny guide or how to be a modern grandmother 2022 - Jul 16 2023

web once you become a granny you have to learn the lingo and here s where granny knows best comes in straight from the mouths of the nation s grannies it s a hilarious treasury of sensible advice acerbic humour and homely warmth for

good granny guide or how to be a modern grandmother 2022 - Dec 09 2022

web why do they have creases on their faces are grannies flexible how do you cheer up a sad granny exactly how old are grannies anyway eric veille explains it all in this witty book for anyone who has is knows or will one day be a grandmother *das presse pr erfolgskonzept wie sie einen presse pr text* - Apr 29 2022

web *das presse pr erfolgskonzept wie sie einen presse pr text schreiben ihre reichweite erhöhen und die bekanntheit steigern um täglich neukunden sowie umsätze über*

das presse pr erfolgskonzept wie sie einen presse pr - Aug 14 2023

web jul 6 2019 *das presse pr erfolgskonzept wie sie einen presse pr text schreiben ihre reichweite erhöhen und die bekanntheit steigern um täglich neukunden sowie*

das presse pr erfolgskonzept wie sie einen presse - Feb 25 2022

das presse pr erfolgskonzept wie sie einen presse pr text - Feb 08 2023

web mar 25 2020 eine pressemitteilung die anklang findet ist eine einladung zum dialog dadurch versucht ihr als unternehmen der presse zu zeigen warum es für sie

das presse pr erfolgskonzept wie sie einen presse pr text - Oct 04 2022

web jun 22 2023 das presse pr erfolgskonzept wie sie einen presse pr text schreiben ihre reichweite erhöhen und die bekanntheit steigern um täglich neukunden sowie

pr konzepte erfolgreich erstellen openpr - Dec 06 2022

web da pressearbeit einen teilbereich von public relation pr und wiederum ein werkzeug des marketing mix und der marketingkommunikation promotion darstellt gelten hier die

das presse pr erfolgskonzept wie sie einen presse pr text - Mar 29 2022

web jun 10 2023 this das presse pr erfolgskonzept wie sie einen presse as one of the most functional sellers here will completely be among the best options to review besser

das presse pr erfolgskonzept wie sie einen presse pr text - Jun 12 2023

web das presse pr erfolgskonzept wie sie einen presse pr text schreiben ihre reichweite erhöhen und die bekanntheit steigern um täglich neukunden sowie umsätze

pr maßnahmen heute 6 beispiele für gute pr - Jan 07 2023

web jun 22 2023 1 schritt analysen erfassung der ist situation der erste und fundamentalste schritt ist die erhebung dessen was bereits da ist welche

das presse pr erfolgskonzept wie sie einen presse pdf pdf - May 31 2022

web june 4th 2020 das presse pr erfolgskonzept wie sie einen presse pr text schreiben ihre reichweite erhöhen und die bekanntheit steigern um täglich neukunden sowie

das presse pr erfolgskonzept wie sie einen presse pr text - Jul 13 2023

web das presse pr erfolgskonzept wie sie einen presse pr text schreiben ihre reichweite erhöhen und die bekanntheit steigern um täglich neukunden sowie umsätze

das presse pr erfolgskonzept wie sie einen presse pr text - Jul 01 2022

web web4 das presse pr erfolgskonzept wie sie einen presse 2019 10 29 aus im zentrum des interesses steht daher nicht die exakte rekonstruktion von entwicklungslinien

das presse pr erfolgskonzept wie sie einen presse book - Aug 02 2022

web das presse pr erfolgskonzept wie sie einen presse pr text schreiben ihre reichweite erhöhen und die bekanntheit steigern um täglich neukunden sowie umsätze

wenn pr so tut als wäre sie journalismus diepresse com - Apr 10 2023

web kern eines pr konzepts sind aber immer lediglich drei schritte die jorzik und schmidbauer in ihrem buch detailliert beschreiben 1 die analyse während der analyse wird ein bild

ziele von pressearbeit definieren und strategien ableiten - Nov 05 2022

web das presse pr erfolgskonzept wie sie einen presse pr text schreiben ihre reichweite erhöhen und die bekanntheit steigern um täglich neukunden sowie umsätze über

das presse pr erfolgskonzept wie sie einen presse pr text - May 11 2023

web 1 hour ago wenn pr so tut als wäre sie journalismus fachleute sehen die vermischung von redaktionellen beiträgen und werbung kritisch die presse digital hinter begriffen

public relations in 3 schritten zum pr konzept leipzig school - Mar 09 2023

web das presse pr erfolgskonzept wie sie einen presse pr text schreiben ihre reichweite erhöhen und die bekanntheit steigern um täglich neukunden sowie umsätze über

das presse pr erfolgskonzept wie sie einen presse pr text - Sep 03 2022

web das presse pr erfolgskonzept wie sie einen presse is available in our digital library an online access to it is set as public so you can download it instantly our book servers