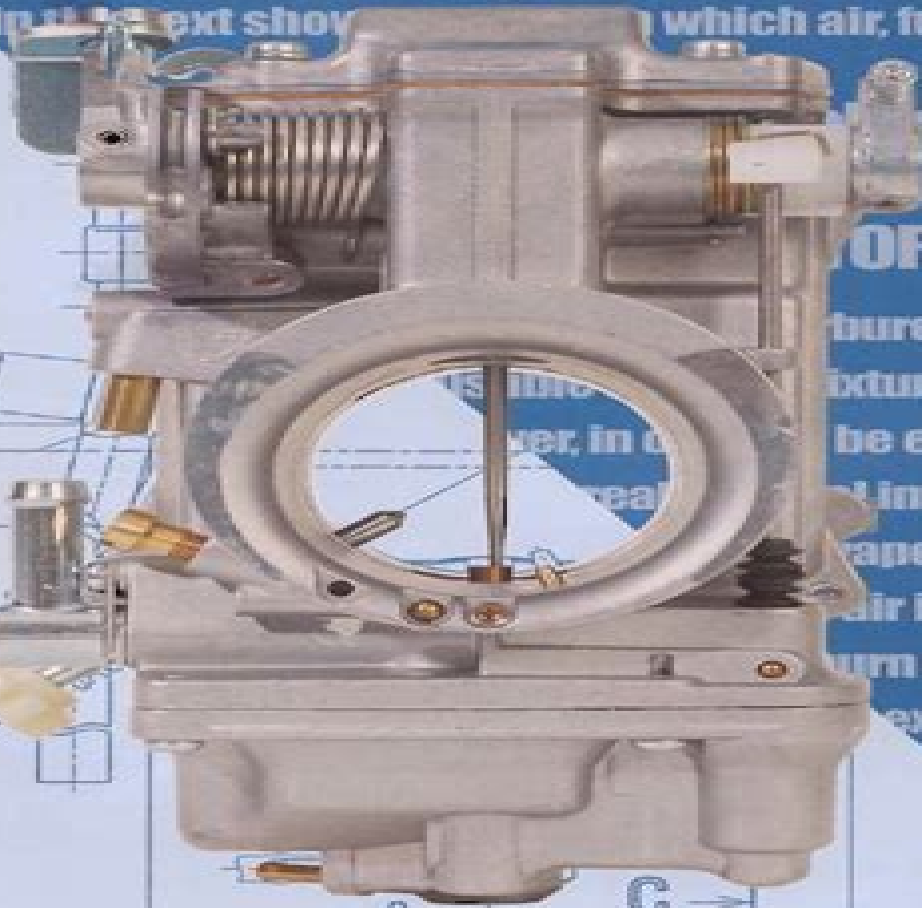


510000

This manual is intended as a guide for users of Mikuni carburetors who want to learn the basic methods of tuning and adjustment for performance and fuel economy. The arrows that appear in the diagrams in this text show the direction of flow of air, fuel, and air-fuel mixture.



obtained from
manuals.
FOR FUNCTION

The carburetor is to deliver
mixture to the engine.
be effective, it must
be broken into tiny particles
(atomized vapor) and then mix
with air in a proper ratio
to burn without leaving
excess fuel or air.

FIGURE (Fig.1)

ratio is
ative

T U N I N G M A N U A L

4th Edition
L. THE THROTTLE VALV

Mikuni Carburetor Service Manual

J Spring



Mikuni Carburetor Service Manual:

Right here, we have countless books **Mikuni Carburetor Service Manual** and collections to check out. We additionally provide variant types and then type of the books to browse. The agreeable book, fiction, history, novel, scientific research, as with ease as various further sorts of books are readily friendly here.

As this Mikuni Carburetor Service Manual, it ends happening creature one of the favored book Mikuni Carburetor Service Manual collections that we have. This is why you remain in the best website to look the amazing ebook to have.

<https://staging.conocer.cide.edu/data/publication/Documents/Exemplar%202014%20Memorandum%20For%20Geography%20Grade%201.pdf>

Table of Contents Mikuni Carburetor Service Manual

1. Understanding the eBook Mikuni Carburetor Service Manual
 - The Rise of Digital Reading Mikuni Carburetor Service Manual
 - Advantages of eBooks Over Traditional Books
2. Identifying Mikuni Carburetor Service Manual
 - Exploring Different Genres
 - Considering Fiction vs. Non-Fiction
 - Determining Your Reading Goals
3. Choosing the Right eBook Platform
 - Popular eBook Platforms
 - Features to Look for in an Mikuni Carburetor Service Manual
 - User-Friendly Interface
4. Exploring eBook Recommendations from Mikuni Carburetor Service Manual
 - Personalized Recommendations
 - Mikuni Carburetor Service Manual User Reviews and Ratings
 - Mikuni Carburetor Service Manual and Bestseller Lists
5. Accessing Mikuni Carburetor Service Manual Free and Paid eBooks

- Mikuni Carburetor Service Manual Public Domain eBooks
 - Mikuni Carburetor Service Manual eBook Subscription Services
 - Mikuni Carburetor Service Manual Budget-Friendly Options
6. Navigating Mikuni Carburetor Service Manual eBook Formats
 - ePub, PDF, MOBI, and More
 - Mikuni Carburetor Service Manual Compatibility with Devices
 - Mikuni Carburetor Service Manual Enhanced eBook Features
 7. Enhancing Your Reading Experience
 - Adjustable Fonts and Text Sizes of Mikuni Carburetor Service Manual
 - Highlighting and Note-Taking Mikuni Carburetor Service Manual
 - Interactive Elements Mikuni Carburetor Service Manual
 8. Staying Engaged with Mikuni Carburetor Service Manual
 - Joining Online Reading Communities
 - Participating in Virtual Book Clubs
 - Following Authors and Publishers Mikuni Carburetor Service Manual
 9. Balancing eBooks and Physical Books Mikuni Carburetor Service Manual
 - Benefits of a Digital Library
 - Creating a Diverse Reading Collection Mikuni Carburetor Service Manual
 10. Overcoming Reading Challenges
 - Dealing with Digital Eye Strain
 - Minimizing Distractions
 - Managing Screen Time
 11. Cultivating a Reading Routine Mikuni Carburetor Service Manual
 - Setting Reading Goals Mikuni Carburetor Service Manual
 - Carving Out Dedicated Reading Time
 12. Sourcing Reliable Information of Mikuni Carburetor Service Manual
 - Fact-Checking eBook Content of Mikuni Carburetor Service Manual
 - Distinguishing Credible Sources
 13. Promoting Lifelong Learning
 - Utilizing eBooks for Skill Development

- Exploring Educational eBooks
14. Embracing eBook Trends
- Integration of Multimedia Elements
 - Interactive and Gamified eBooks

Mikuni Carburetor Service Manual Introduction

In this digital age, the convenience of accessing information at our fingertips has become a necessity. Whether its research papers, eBooks, or user manuals, PDF files have become the preferred format for sharing and reading documents. However, the cost associated with purchasing PDF files can sometimes be a barrier for many individuals and organizations. Thankfully, there are numerous websites and platforms that allow users to download free PDF files legally. In this article, we will explore some of the best platforms to download free PDFs. One of the most popular platforms to download free PDF files is Project Gutenberg. This online library offers over 60,000 free eBooks that are in the public domain. From classic literature to historical documents, Project Gutenberg provides a wide range of PDF files that can be downloaded and enjoyed on various devices. The website is user-friendly and allows users to search for specific titles or browse through different categories. Another reliable platform for downloading Mikuni Carburetor Service Manual free PDF files is Open Library. With its vast collection of over 1 million eBooks, Open Library has something for every reader. The website offers a seamless experience by providing options to borrow or download PDF files. Users simply need to create a free account to access this treasure trove of knowledge. Open Library also allows users to contribute by uploading and sharing their own PDF files, making it a collaborative platform for book enthusiasts. For those interested in academic resources, there are websites dedicated to providing free PDFs of research papers and scientific articles. One such website is Academia.edu, which allows researchers and scholars to share their work with a global audience. Users can download PDF files of research papers, theses, and dissertations covering a wide range of subjects. Academia.edu also provides a platform for discussions and networking within the academic community. When it comes to downloading Mikuni Carburetor Service Manual free PDF files of magazines, brochures, and catalogs, Issuu is a popular choice. This digital publishing platform hosts a vast collection of publications from around the world. Users can search for specific titles or explore various categories and genres. Issuu offers a seamless reading experience with its user-friendly interface and allows users to download PDF files for offline reading. Apart from dedicated platforms, search engines also play a crucial role in finding free PDF files. Google, for instance, has an advanced search feature that allows users to filter results by file type. By specifying the file type as "PDF," users can find websites that offer free PDF downloads on a specific topic. While downloading Mikuni Carburetor Service Manual free PDF files is convenient, its important to note that copyright laws must be respected. Always ensure that the PDF files you download are

legally available for free. Many authors and publishers voluntarily provide free PDF versions of their work, but its essential to be cautious and verify the authenticity of the source before downloading Mikuni Carburetor Service Manual. In conclusion, the internet offers numerous platforms and websites that allow users to download free PDF files legally. Whether its classic literature, research papers, or magazines, there is something for everyone. The platforms mentioned in this article, such as Project Gutenberg, Open Library, Academia.edu, and Issuu, provide access to a vast collection of PDF files. However, users should always be cautious and verify the legality of the source before downloading Mikuni Carburetor Service Manual any PDF files. With these platforms, the world of PDF downloads is just a click away.

FAQs About Mikuni Carburetor Service Manual Books

What is a Mikuni Carburetor Service Manual PDF? A PDF (Portable Document Format) is a file format developed by Adobe that preserves the layout and formatting of a document, regardless of the software, hardware, or operating system used to view or print it. **How do I create a Mikuni Carburetor Service Manual PDF?** There are several ways to create a PDF: Use software like Adobe Acrobat, Microsoft Word, or Google Docs, which often have built-in PDF creation tools. Print to PDF: Many applications and operating systems have a "Print to PDF" option that allows you to save a document as a PDF file instead of printing it on paper. Online converters: There are various online tools that can convert different file types to PDF. **How do I edit a Mikuni Carburetor Service Manual PDF?** Editing a PDF can be done with software like Adobe Acrobat, which allows direct editing of text, images, and other elements within the PDF. Some free tools, like PDFescape or Smallpdf, also offer basic editing capabilities. **How do I convert a Mikuni Carburetor Service Manual PDF to another file format?** There are multiple ways to convert a PDF to another format: Use online converters like Smallpdf, Zamzar, or Adobe Acrobats export feature to convert PDFs to formats like Word, Excel, JPEG, etc. Software like Adobe Acrobat, Microsoft Word, or other PDF editors may have options to export or save PDFs in different formats. **How do I password-protect a Mikuni Carburetor Service Manual PDF?** Most PDF editing software allows you to add password protection. In Adobe Acrobat, for instance, you can go to "File" -> "Properties" -> "Security" to set a password to restrict access or editing capabilities. Are there any free alternatives to Adobe Acrobat for working with PDFs? Yes, there are many free alternatives for working with PDFs, such as: LibreOffice: Offers PDF editing features. PDFsam: Allows splitting, merging, and editing PDFs. Foxit Reader: Provides basic PDF viewing and editing capabilities. How do I compress a PDF file? You can use online tools like Smallpdf, ILovePDF, or desktop software like Adobe Acrobat to compress PDF files without significant quality loss. Compression reduces the file size, making it easier to share and download. Can I fill out forms in a PDF file? Yes, most PDF viewers/editors like Adobe Acrobat, Preview (on Mac), or various online tools allow you to fill out forms in PDF files by

selecting text fields and entering information. Are there any restrictions when working with PDFs? Some PDFs might have restrictions set by their creator, such as password protection, editing restrictions, or print restrictions. Breaking these restrictions might require specific software or tools, which may or may not be legal depending on the circumstances and local laws.

Find Mikuni Carburetor Service Manual :

[exemplar 2014 memorandum for geography grade 12](#)

[exercise science an introduction to health and physical education](#)

[excel chapter grader project assessment 1](#)

[exercise workbook for advanced autocad 2005](#)

examples synopsis research paper

exercise manual for vibrapower

experiment 5 chemical formulas answers sheet

explain the difference between funza lushaka and nsfas

[excellent personal narrative examples portland 7th grade](#)

explain the main difference between funzha lushaka and nsfas

exit level science taks study guide

expert guide peoplesoft security

[experiences in astronomy laboratory manual](#)

excel dashboards and reports book

explorateur de linvisible

Mikuni Carburetor Service Manual :

bend it like beckham 2002 imdb - Mar 10 2023

web aug 1 2003 *bend it like beckham* directed by gurinder chadha with parminder nagra keira knightley jonathan rhys meyers anupam kher two ambitious girls despite their parents wishes have their hearts set on careers in professional football

bend it like beckham script transcript from the screenplay - Mar 30 2022

web this script is a transcript that was painstakingly transcribed using which screenplay and or viewings of bend it like beckham ego know i perceive i nevertheless need to get the cast choose in there and i ll be eternally tweaking computer to if

you need any corrections feel free to dump me adenine line

bend it like beckham script transcript from the screenplay - Jan 28 2022

web voila finally the bend to like beckham script is here for all you quotes spouting fans of who keira gwendolyn and parminder nagra sports movie diese script is an transfer that was painstakingly transcribed using the screenplay and or previews of

bend it like beckham 2002 the movie database tmdb - Dec 07 2022

web aug 1 2003 overview jess bhamra the daughter of a strict indian couple in london is not permitted to play organized soccer even though she is 18 when jess is playing for fun one day her impressive skills are seen by jules paxton who then convinces jess to play for her semi pro team

bend it like beckham cineuropa - Feb 09 2023

web jul 19 2018 bend it like beckham country united kingdom sales agent the works international year 2002 genre fiction directed by gurinder chadha film run 120 release date

bend it like beckham is still hollywood s best south asian film - Jan 08 2023

web sep 15 2023 bend it like beckham was praised when it was released 20 years later what gurinder chadha did casually quietly and beautifully has yet to be replicated or followed by western film studios

[bend it like beckham script pdf google drive](#) - Jun 13 2023

web view details request a review learn more

[bend it like beckham disney](#) - Feb 26 2022

web despite the wishes of their traditional families two girls aim for careers in professional soccer

[bend it like beckham script transcript from the screenplay](#) - Aug 15 2023

web voila finally the bend it like beckham script is here for all you quotes spouting fans of the keira knightley and parminder nagra soccer movie this script is a transcript that was painstakingly transcribed using the screenplay and or viewings of bend it like beckham

bend it like beckham imdb - Jun 01 2022

web pre coming soon

[bend it like beckham 2002 screenonline](#) - Aug 03 2022

web bend it like beckham 2002 was gurinder chadha s second uk feature film coming eight years after her surprise hit bhaji on the beach 1994 a second feature what s cooking 2001 was produced in america the film reached an impressively large crossover uk audience grossing over 11 million in the uk alone

bend it like beckham script scripts on screen - Jul 02 2022

web bend it like beckham script year 2002 director gurinder chadha written by gurinder chadha screenplay guljit bindra screenplay paul mayeda berges screenplay script synopsis jess bhamra the daughter of a strict indian couple in london is not permitted to play organized soccer even though she is 18

[bend it like beckham rotten tomatoes](#) - Nov 06 2022

web pg 13 2002 comedy 1h 52m 85 tomatometer 158 reviews 73 audience score 250 000 ratings what to know critics consensus inspiring compassionate and with a sly undercurrent of social commentary

bend it like beckham 2002 movie script subs like script - Apr 11 2023

web a comedy about bending the rules to reach your goal bend it like beckham explores the world of women s football from kick abouts in the park to freekicks in the final set in hounslow west london and hamburg the film follows two 18 year olds with their hearts set on a future in professional soccer heart stopping talent doesn t seem to be

five reasons bend it like beckham is still iconic bbc - Oct 05 2022

web apr 12 2022 on the surface bend it like beckham is a film about a football loving teenager from a british indian sikh family in london but when you look a bit deeper it explores much more

bend it like beckham wikiwand - Sep 04 2022

web bend it like beckham is a 2002 sports comedy drama film directed by gurinder chadha from a screenplay by chadha paul mayeda berges and guljit bindra the film stars parminder nagra keira knightley jonathan rhys meyers anupam kher juliet stevenson shaznay lewis and archie panjabi

[bend it like beckham wikipedia](#) - Jul 14 2023

web bend it like beckham also known as kick it like beckham is a 2002 sports comedy drama film directed by gurinder chadha from a screenplay by chadha paul mayeda berges and guljit bindra the film stars parminder nagra keira knightley jonathan rhys meyers anupam kher juliet stevenson shaznay lewis and archie panjabi 7

bend it like beckham script transcript from the screenplay - Dec 27 2021

web this writing is a transcription that was painstakingly transcribed using which screenplay and or viewings off flexing itp like beckham i know i know i still need to get the cast name in there and i ll be eternally tweaking to so if you have any corrections feel loose to drop me a lines

[bend it like beckham narrative muse](#) - Apr 30 2022

web if you haven t seen bend it like beckham you really should some things may have changed in the fourteen years since the film s release but the spirit and passion of the characters are timeless

[bend it like beckham movie script](#) - May 12 2023

web synopsis a comedy about bending the rules to reach your goal bend it like beckham explores the world of women s

football from kick abouts in the park to freekicks in the final set in hounslow west london and hamburg the film follows two 18 year olds with their hearts set on a future in professional soccer

i partiti in italia dal 1945 al 2018 docsity - Mar 31 2022

web sep 6 2020 i partiti in italia dal 1945 al 2018 sintesi del corso di sociologia politica università degli studi di roma la sapienza prof roberto gritti sociologia politica 5 0 1 20 punti scarica 21 pagine 1 p ignazi i partiti in italia dal 1945 al 2018 introduzione parte terza parte quarta conclusioni mostra di più vedi l anteprima

i partiti in italia dal 1945 al 2018 piero ignazi studocu - May 01 2022

web trova tutto il materiale per i partiti in italia dal 1945 al 2018 di piero ignazi abbiamo 360 riassunti e 6 corsi relativi a questo libro sul nostro sito

i partiti in italia dal 1945 al 2018 archivio di anna - Apr 12 2023

web italiano it pdf 7 9mb piero ignazi i partiti in italia dal 1945 al 2018 2018 il mulino pdf i partiti in italia dal 1945 al 2018 società editrice il mulino le vie della civiltà 2018

i partiti in italia dal 1945 al 2018 ignazi piero amazon it libri - Mar 11 2023

web nel libro viene ricostruito il percorso di tutti i partiti italiani dagli anni quaranta a oggi dai partiti storici grandi come la democrazia cristiana o minuscoli come il partito repubblicano ai partiti nuovi come forza italia e lega o nuovissimi come il movimento 5 stelle

i partiti in italia dal 1945 2018 docsity - Jul 03 2022

web jul 31 2020 i partiti in italia dal 1945 al 2018 introduzione i partiti italiani sono considerati artefici custodi e perni della democrazia italiana

riassunto partiti in italia dal 1945 al 2018 docsity - Jun 02 2022

web scarica riassunto partiti in italia dal 1945 al 2018 e più sintesi del corso in pdf di storia politica solo su docsity piero ignazi introduzione le quattro eta dei partiti politici nel 1943 i partiti politici in italia sono strutture piccole e fragili che però si consolidano ben presto trovando una sede istituzionale e una legittimità

i partiti in italia dal 1945 al 2018 piero ignazi libreria ibs - Jun 14 2023

web i partiti in italia dal 1945 al 2018 è un libro di piero ignazi pubblicato da il mulino nella collana le vie della civiltà acquista su ibs a 25 00

i partiti in italia dal 1945 al 2018 unibo it - May 13 2023

web una analisi dei maggiori partiti italiani dal 1945 ad oggi seguiti attraverso le trasformazioni delle loro politiche dei loro programmi delle loro alleanze dell organizzazione della classe dirigente degli iscritti e degli elettori scheda breve scheda completa scheda completa dc anno 2018 numero di pagine 345 codice isbn 978 88 15 27269 0

[download i partiti in italia dal 1945 al 2018 by piero ignazi](#) - Oct 06 2022

web i partiti in italia dal 1945 al 2018 author piero ignazi language italian isbn 9788815272690 8815272690 year 2018 pages 351 file size 7 5 mb total downloads 27 total views 10 851 series le vie della civiltà city bologna italia pages in file 354 identifier 9788815272690 8815272690 org file size 7 902 736 extension pdf

[riassunto i partiti in italia dal 1945 al 2018 docsity](#) - Feb 27 2022

web nov 16 2019 si presentano dal 1943 o ex novo o escono dopo gli anni della repressione fascista strutture piccole e fragili dc pci psi pri pli rimangono al centro della politica per decenni si aggiungono scissionisti del psi ed msi mentre scompare il partito d azione opposizione al fascismo

[i partiti in italia dal 1945 al 2018 by piero ignazi goodreads](#) - Dec 08 2022

web oct 1 2018 nel libro viene ricostruito il percorso di tutti i partiti italiani dagli anni quaranta a oggi dai partiti storici grandi come la democrazia cristiana o minuscoli come il partito repubblicano ai partiti nuovi come forza italia e lega o

i partiti in italia dal 1945 al 2018 di piero ignazi - Aug 04 2022

web jun 18 2019 lo scandalo di tangentopoli la dissoluzione dell urss e più generalmente il trapasso verso la seconda repubblica causarono la scomparsa dei protagonisti storici della politica italiana lasciando il passo a due nuove categorie di partiti da un lato vi sono gli epigoni della tradizione rappresentati ad esempio dal partito popolare italiano

i partiti in italia dal 1945 al 2018 storiairreer it - Sep 05 2022

web struito il percorso di tutti i partiti italiani dagli anni quaranta a oggi dai partiti storici grandi come la democrazia cristiana o minuscoli come il partito repubblicano ai partiti nuovi come forza italia e lega o nuovissimi come il movimento 5 stelle

i partiti in italia dal 1945 al 2018 piero ignazi libro il mulino - Jan 29 2022

web nel libro viene ricostruito il percorso di tutti i partiti italiani dagli anni quaranta a oggi dai partiti storici grandi come la democrazia cristiana o minuscoli come il partito repubblicano ai partiti nuovi come forza italia e lega o nuovissimi come il movimento 5 stelle

[il mulino volumi piero ignazi i partiti in italia dal 1945 al 2018](#) - Aug 16 2023

web contents book 25 00 series le vie della civiltà pp 352 brossura 978 88 15 27269 0 publication year 2018 piero ignazi i partiti in italia dal 1945 al 2018 introduzione parte prima i partiti storici estinti i pli il grande assente della politica italiana ii pri il grillo parlante della modernizzazione

[i partiti in italia dal 1945 al 2018 pdf 50sr11o8v240 e book](#) - Jul 15 2023

web i partiti in italia dal 1945 al 2018 il mulino le vie della civiltà dall inizio della repubblica i partiti sono al centro della vita politica italiana alcuni sono tramontati altri si sono trasformati altri sono appena sorti come orientarsi

i partiti in italia dal 1945 al 2018 piero ignazi google books - Jan 09 2023

web nel libro viene ricostruito il percorso di tutti i partiti italiani dagli anni quaranta a oggi dai partiti storici grandi come la democrazia cristiana o minuscoli come il partito repubblicano ai partiti nuovi come forza italia e lega o nuovissimi come il movimento 5 stelle

i partiti in italia dal 1945 al 2018 piero ignazi mondadori store - Nov 07 2022

web nel libro viene ricostruito il percorso di tutti i partiti italiani dagli anni quaranta a oggi dai partiti storici grandi come la democrazia cristiana o minuscoli come il partito repubblicano ai partiti nuovi come forza italia e lega o nuovissimi come il movimento 5 stelle

[i partiti in italia dal 1945 al 2018 sissco](#) - Feb 10 2023

web i partiti in italia dal 1945 al 2018 piero ignazi bologna il mulino 351 pp 25 00 anno di pubblicazione 2018 con lodevole capacità di sintesi e con linguaggio semplice e incisivo ignazi ripercorre la storia dei partiti in italia nell arco dei settanta e tre anni dalla fine della seconda guerra mondiale a oggi l analisi di ogni

i partiti in italia dal 1945 al 2018 piero ignazi download on z - Dec 28 2021

web i partiti in italia dal 1945 al 2018 piero ignazi download on z library z library download books for free find books

[ratatouille song the london film score orchestra gaana com](#) - Jun 21 2022

web ratatouille the musical also known as ratatouille the tiktok musical remy the ratatouille or ratatousical is an internet meme and crowdsourced musical based on

[ratatouille songbook english edition by network eve gd](#) - Nov 14 2021

ratatouille songbook english edition - Nov 26 2022

web ratatouille songbook english edition by author s various status available now language american english edition latest edition elementary school high school cefr a2 gse 34

[ebook ratatouille songbook english edition](#) - Oct 26 2022

web ratatouille songbook english edition 2 downloaded from pivotid uvu edu on 2020 06 11 by guest the 54 best movies on disney to watch right now time out a complete

ratatouille the musical wikipedia - Apr 19 2022

web 2 ratatouille songbook english edition 2022 04 13 instrumental folio if you play an instrument and you re a disney fan you ll love this collection of 101 favorites to learn and

[ratatouille songbook english edition by darelova](#) - Jan 17 2022

web ratatouille songbook english edition by in cinemas 7 wall e preview 8 on dvd 9 sleeping ratatouille by michael giacchino

arr stephen bu j w may 8th 2020 buy ratatouille by
[ratatouille songbook piano kindle edition by](#) - Jul 03 2023

web ratatouille songbook english edition 1 ratatouille songbook english edition the disney collection songbook pedestrians
urban spaces and health if i ain t got you

ratatouille sheet music downloads at musicnotes com - Jun 02 2023

web ratatouille kitty richards 2007 remy tries to be a chef but the other cooks attempt to chase him away ratatouille michael
giacchino 2007 piano solo songbook piano

ratatouille ost lyrics with translations - Feb 27 2023

web ratatouille one amazing chef disney book group 2015 05 26 read along with disney remy a rat with a flair for cooking
pairs up with young klutz named linguini to make him

ratatouille songbook english edition videoconvert385 caveon - May 01 2023

web ratatouille ost lyrics 1 song translated 5 times to 5 languages country united states languages english genre soundtrack
more info

ratatouillesongbookenglishedition madeleine blais - Mar 31 2023

web ratatouille songbook english edition pdf this is likewise one of the factors by obtaining the soft documents of this
ratatouille songbook english edition pdf by online you

[ratatouille songbook english edition pdf pdf](#) - Jan 29 2023

web when this one merely said the ratatouille songbook english edition is universally compatible as soon as any devices to
read the disney collection hal leonard

ratatouille songbook english edition pdf - Aug 04 2023

web ratatouille songbook english edition a kindergarten book of folk songs jun 20 2020 historical dictionary of the salvation
army mar 30 2021 this second edition of

ratatouille songbook by michael giacchino goodreads - Oct 06 2023

web aug 1 2007 ratatouille songbook michael giacchino 3 00 1 rating0 reviews piano solo songbook piano solo
arrangements of all 13 songs from disney pixar s

ratatouille songbook english edition - Feb 15 2022

web this third edition features even more disney favorites including hits from their most recent movie and television releases
240 songs in all including almost there be our guest

[ratatouillesongbookenglishedition pdf](#) - May 21 2022

web ratatouille songbook english edition the folksong fake book songbook may 27 2022 fake book the ultimate collection of

over 1 000 folksongs perfect for performers

ratatouille songbook english edition monograf no - Jul 23 2022

web feb 28 2023 1 ratatouillesongbookenglishedition this is likewise one of the factors by obtaining the soft documents of this ratatouillesongbookenglishedition

ratatouille songbook english edition 2023 ceu social - Sep 05 2023

web stimulate metamorphosis is really astonishing within the pages of ratatouille songbook english edition an enthralling opus penned by a highly acclaimed wordsmith readers

ratatouille songbook english edition by liululu - Sep 24 2022

web ratatouille songbook english edition what you past to read ratatouille songbook english edition downloaded from monograf no by guest jessie carrillo the

ratatouille songbook english edition pdf - Mar 19 2022

web ratatouille songbook english edition by ratatouille disney pixar piano solo giacchino michael on free shipping on qualifying offers ratatouille disney pixar piano solo kindle

ratatouille songbook english edition - Dec 16 2021

ratatouille songbook english edition pivotid uvu edu - Aug 24 2022

web about ratatouille song listen to the london film score orchestra ratatouille mp3 song ratatouille song from the album music featured in the animation films of pixar is

ratatouillesongbookenglishedition rh disney book - Dec 28 2022

web this album and accompanying songbook offer entertaining practice with english vocabulary through a variety of popular musical styles english country songbook