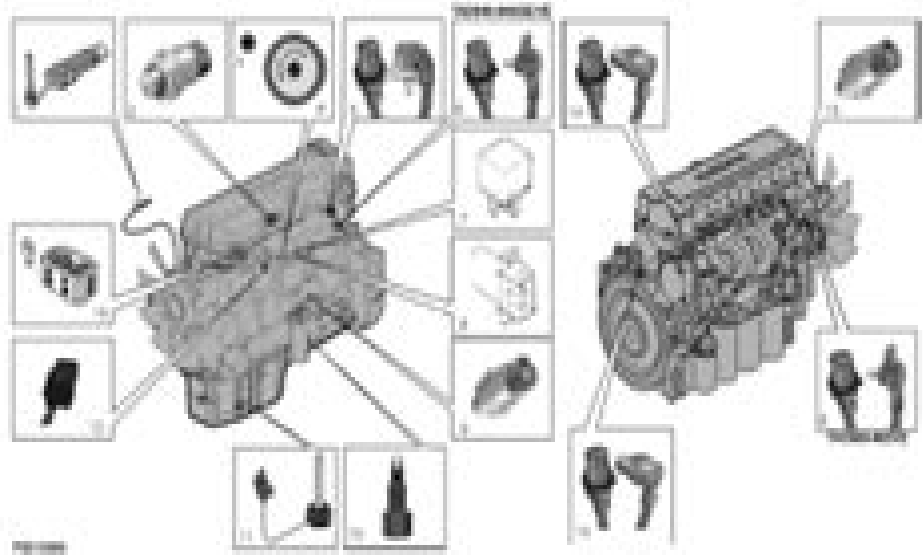


Page Thumbnails X

Thumbnail icons for document pages.

Location of Sensors



- | | |
|---|-----------------------------------|
| 1 Coolant level sensor | 9 Fuel pressure sensor |
| 2 Crankcase Pressure | 10 Water in fuel indicator |
| 3 Electric fuel pump switch | 11 Oil and temperature sender |
| 4 Auxiliary stop | 12 Main fuse |
| 5 Charge air pressure / Intake manifold temperature | 13 Preheater with preheater relay |
| 6 Coolant temperature sensor | 14 Camshaft sensor |
| 7 Main relay | 15 Physical sensor |
| 8 Diagnose connector | |
| 3pin: TAD240-K3VE, TAD240-DE10E | |
| 6pin: TAD240-51VE | |

Maintenance Manual Volvo Penta Tad734ge

M Mark



Maintenance Manual Volvo Penta Tad734ge:

Uncover the mysteries within Explore with its enigmatic creation, **Maintenance Manual Volvo Penta Tad734ge** . This downloadable ebook, shrouded in suspense, is available in a PDF format (*). Dive into a world of uncertainty and anticipation. Download now to unravel the secrets hidden within the pages.

https://staging.conocer.cide.edu/results/browse/fetch.php/hors_cadre_choix_de_textes_avec_trois_inadits_collection_espace_nord.pdf

Table of Contents Maintenance Manual Volvo Penta Tad734ge

1. Understanding the eBook Maintenance Manual Volvo Penta Tad734ge
 - The Rise of Digital Reading Maintenance Manual Volvo Penta Tad734ge
 - Advantages of eBooks Over Traditional Books
2. Identifying Maintenance Manual Volvo Penta Tad734ge
 - Exploring Different Genres
 - Considering Fiction vs. Non-Fiction
 - Determining Your Reading Goals
3. Choosing the Right eBook Platform
 - Popular eBook Platforms
 - Features to Look for in a Maintenance Manual Volvo Penta Tad734ge
 - User-Friendly Interface
4. Exploring eBook Recommendations from Maintenance Manual Volvo Penta Tad734ge
 - Personalized Recommendations
 - Maintenance Manual Volvo Penta Tad734ge User Reviews and Ratings
 - Maintenance Manual Volvo Penta Tad734ge and Bestseller Lists
5. Accessing Maintenance Manual Volvo Penta Tad734ge Free and Paid eBooks
 - Maintenance Manual Volvo Penta Tad734ge Public Domain eBooks
 - Maintenance Manual Volvo Penta Tad734ge eBook Subscription Services
 - Maintenance Manual Volvo Penta Tad734ge Budget-Friendly Options

6. Navigating Maintenance Manual Volvo Penta Tad734ge eBook Formats
 - ePub, PDF, MOBI, and More
 - Maintenance Manual Volvo Penta Tad734ge Compatibility with Devices
 - Maintenance Manual Volvo Penta Tad734ge Enhanced eBook Features
7. Enhancing Your Reading Experience
 - Adjustable Fonts and Text Sizes of Maintenance Manual Volvo Penta Tad734ge
 - Highlighting and Note-Taking Maintenance Manual Volvo Penta Tad734ge
 - Interactive Elements Maintenance Manual Volvo Penta Tad734ge
8. Staying Engaged with Maintenance Manual Volvo Penta Tad734ge
 - Joining Online Reading Communities
 - Participating in Virtual Book Clubs
 - Following Authors and Publishers Maintenance Manual Volvo Penta Tad734ge
9. Balancing eBooks and Physical Books Maintenance Manual Volvo Penta Tad734ge
 - Benefits of a Digital Library
 - Creating a Diverse Reading Collection Maintenance Manual Volvo Penta Tad734ge
10. Overcoming Reading Challenges
 - Dealing with Digital Eye Strain
 - Minimizing Distractions
 - Managing Screen Time
11. Cultivating a Reading Routine Maintenance Manual Volvo Penta Tad734ge
 - Setting Reading Goals Maintenance Manual Volvo Penta Tad734ge
 - Carving Out Dedicated Reading Time
12. Sourcing Reliable Information of Maintenance Manual Volvo Penta Tad734ge
 - Fact-Checking eBook Content of Maintenance Manual Volvo Penta Tad734ge
 - Distinguishing Credible Sources
13. Promoting Lifelong Learning
 - Utilizing eBooks for Skill Development
 - Exploring Educational eBooks
14. Embracing eBook Trends
 - Integration of Multimedia Elements

- Interactive and Gamified eBooks

Maintenance Manual Volvo Penta Tad734ge Introduction

Free PDF Books and Manuals for Download: Unlocking Knowledge at Your Fingertips In today's fast-paced digital age, obtaining valuable knowledge has become easier than ever. Thanks to the internet, a vast array of books and manuals are now available for free download in PDF format. Whether you are a student, professional, or simply an avid reader, this treasure trove of downloadable resources offers a wealth of information, conveniently accessible anytime, anywhere. The advent of online libraries and platforms dedicated to sharing knowledge has revolutionized the way we consume information. No longer confined to physical libraries or bookstores, readers can now access an extensive collection of digital books and manuals with just a few clicks. These resources, available in PDF, Microsoft Word, and PowerPoint formats, cater to a wide range of interests, including literature, technology, science, history, and much more. One notable platform where you can explore and download free Maintenance Manual Volvo Penta Tad734ge PDF books and manuals is the internet's largest free library. Hosted online, this catalog compiles a vast assortment of documents, making it a veritable goldmine of knowledge. With its easy-to-use website interface and customizable PDF generator, this platform offers a user-friendly experience, allowing individuals to effortlessly navigate and access the information they seek. The availability of free PDF books and manuals on this platform demonstrates its commitment to democratizing education and empowering individuals with the tools needed to succeed in their chosen fields. It allows anyone, regardless of their background or financial limitations, to expand their horizons and gain insights from experts in various disciplines. One of the most significant advantages of downloading PDF books and manuals lies in their portability. Unlike physical copies, digital books can be stored and carried on a single device, such as a tablet or smartphone, saving valuable space and weight. This convenience makes it possible for readers to have their entire library at their fingertips, whether they are commuting, traveling, or simply enjoying a lazy afternoon at home. Additionally, digital files are easily searchable, enabling readers to locate specific information within seconds. With a few keystrokes, users can search for keywords, topics, or phrases, making research and finding relevant information a breeze. This efficiency saves time and effort, streamlining the learning process and allowing individuals to focus on extracting the information they need. Furthermore, the availability of free PDF books and manuals fosters a culture of continuous learning. By removing financial barriers, more people can access educational resources and pursue lifelong learning, contributing to personal growth and professional development. This democratization of knowledge promotes intellectual curiosity and empowers individuals to become lifelong learners, promoting progress and innovation in various fields. It is worth noting that while accessing free Maintenance Manual Volvo Penta Tad734ge PDF books and manuals is convenient and cost-effective, it is vital to respect copyright laws and intellectual property rights. Platforms offering free

downloads often operate within legal boundaries, ensuring that the materials they provide are either in the public domain or authorized for distribution. By adhering to copyright laws, users can enjoy the benefits of free access to knowledge while supporting the authors and publishers who make these resources available. In conclusion, the availability of Maintenance Manual Volvo Penta Tad734ge free PDF books and manuals for download has revolutionized the way we access and consume knowledge. With just a few clicks, individuals can explore a vast collection of resources across different disciplines, all free of charge. This accessibility empowers individuals to become lifelong learners, contributing to personal growth, professional development, and the advancement of society as a whole. So why not unlock a world of knowledge today? Start exploring the vast sea of free PDF books and manuals waiting to be discovered right at your fingertips.

FAQs About Maintenance Manual Volvo Penta Tad734ge Books

How do I know which eBook platform is the best for me? Finding the best eBook platform depends on your reading preferences and device compatibility. Research different platforms, read user reviews, and explore their features before making a choice. Are free eBooks of good quality? Yes, many reputable platforms offer high-quality free eBooks, including classics and public domain works. However, make sure to verify the source to ensure the eBook credibility. Can I read eBooks without an eReader? Absolutely! Most eBook platforms offer web-based readers or mobile apps that allow you to read eBooks on your computer, tablet, or smartphone. How do I avoid digital eye strain while reading eBooks? To prevent digital eye strain, take regular breaks, adjust the font size and background color, and ensure proper lighting while reading eBooks. What the advantage of interactive eBooks? Interactive eBooks incorporate multimedia elements, quizzes, and activities, enhancing the reader engagement and providing a more immersive learning experience. Maintenance Manual Volvo Penta Tad734ge is one of the best book in our library for free trial. We provide copy of Maintenance Manual Volvo Penta Tad734ge in digital format, so the resources that you find are reliable. There are also many Ebooks of related with Maintenance Manual Volvo Penta Tad734ge. Where to download Maintenance Manual Volvo Penta Tad734ge online for free? Are you looking for Maintenance Manual Volvo Penta Tad734ge PDF? This is definitely going to save you time and cash in something you should think about.

Find Maintenance Manual Volvo Penta Tad734ge :

~~hors cadre choix de textes avec trois inadits collection espace nord~~

horizon volume 17 no 1

horror omnibus the worlds best horror stories

hoovers handbook of world busineb 19951996 hoovers handbook of world busineb

honey in a hive

honor del silencio

horse for the summer

hood canal

horse-under water

horrid henrys stinkbomb-cd

hope notes

horseracing and the british 1919-39

horrid henry horrid henry

horrid henrys revenge audio horrid henry

hopi silver

Maintenance Manual Volvo Penta Tad734ge :

Pdf Essential Texts On International And European ... Jan 1, 2015 — Written by leading experts from inside and outside the Court and scholars from multiple disciplines, the essays combine theoretical inquiry ... Essential texts on international and european criminal law 8th ... May 28, 2023 — 2015 by maklu. Read free Essential texts on international and european criminal law. 8th edition updated until 1 january. 2015 by maklu .pdf ... Essential Texts on International and European Criminal Law ... This volume comprises the principal policy documents and multilateral legal instruments on international and European criminal law, with a special focus on ... Essential Texts on International and European Criminal Law This book comprises the principal ... edition of essential texts on international and European criminal law. All texts have been updated until 13 January 2021. A Critical Introduction to International Criminal Law The book is suitable for students, academics and professionals from multiple fields wishing to understand contemporary theories, practices and critiques of ... Book orders 2015-17 - TED eTendering - European Union Essential Texts on International & European Criminal Law - 8th edition, Gert Vermeulen, Maklu, 978-9046607480. 144, Ethics for Police Translators and ... Essential Texts on International and European Criminal ... This volume comprises the principal policy documents and multilateral legal instruments on international and European criminal law, with a special focus on ... Criminal Law - Open Textbook Library The book provides a basic introduction of criminal law, the US legal system and its constitutional protections before delving into traditional areas of ... The Routledge Handbook of Justice and ... EU Counter- terrorism Law. Oxford: Hart Publishing. Öberg, J. (2015). Subsidiarity

and EU Procedural Criminal Law. European Criminal Law Review, 5(1), pp ... International Criminal Law by G Partin · Cited by 5 — This chapter provides information on the major electronic sources for researching international and transnational crime, as well as current ... MA-3SPA® Carburetor MA-3SPA® Carburetor - 10-4115-1. \$1,441.61. MA-3SPA® Carburetor - 10 ... Marvel-Schebler® is a registered trademark of Marvel-Schebler Aircraft Carburetors, LLC. MA-3PA® Carburetor MA-3PA® Carburetor - 10-2430-P3. \$1,134.00 · MA-3PA® Carburetor - 10-4233. Starting From: \$1,441.61 · MA-3PA® Carburetor - 10-4978-1. \$1,272.00 · MA-3PA® ... MA-3SPA® Carburetor - 10-4894-1 Weight, N/A. Dimensions, N/A. Engine Mfg Part Number. 633028. Carburetor Part Number. 10-4894-1. Engine Compatibility. O-200 SERIES ... 10-3565-1-H | MA-3SPA Carburetor for Lycoming O-290- ... 10-3565-1-H Marvel -Schebler Air MA-3SPA Carburetor for Lycoming O-290-O/H. Manufacturer: Marvel-Schebler. MFR. Country: Part Number: 10-3565-1-H. Weight ... MA-3SPA® Carburetor - 10-2971 Weight, N/A. Dimensions, N/A. Engine Mfg Part Number. 17584. Carburetor Part Number. 10-2971. Engine Compatibility. 6AL-335 SERIES ... Overhauled MA-3SPA Carburetor, Continental O-200 A/B ... Overhauled Marvel Schebler / Volare(Facet) / Precision Airmotive aircraft carburetors. Factory Overhauled; Fully inspected and flow-tested; Readily available ... McFarlane Aviation Products - 10-4894-1-MC Part Number: 10-4894-1-MC. CORE, Carburetor Assembly, MA-3SPA®, Rebuilt ... Marvel Schebler Aircraft Carburetors, LLC. Unit of Measure, EACH. Retail Price ... MARVEL SCHEBLER CARBURETOR MA3-SPA P/N 10- ... MARVEL SCHEBLER CARBURETOR MA3-SPA P/N 10-3237 ; GIBSON AVIATION (414) ; Est. delivery. Thu, Dec 21 - Tue, Dec 26. From El Reno, Oklahoma, United States ; Pickup. McFarlane Aviation Products - 10-3346-1-H Part Number: 10-3346-1-H. CARBURETOR ASSEMBLY, MA-3SPA, Overhauled. Eligibility ... Marvel Schebler Aircraft Carburetors, LLC. Unit of Measure, EACH. Retail Price ... 10-4894-1 Marvel Schebler MA3-SPA Carburetor ... 10-4894-1 MA3-SPA Marvel Schebler Carburetor. Previous 1 of 3 Next ; Marvel Schebler MA3-SPA, 10-4894-1, Carburetor, Overhauled. Sold Exchange.

The Christopher Bollas Reader This is an excellent collection of essays by Bollas, providing a comprehensive sampling of the exceptionally wide range of topics addressed by this ... The Christopher Bollas Reader This reader brings together a selection of seminal papers by Christopher Bollas. Essays such as 'The Fascist State of Mind,' The Christopher Bollas Reader - Routledge This reader brings together a selection of seminal papers by Christopher Bollas. Essays such as "The Fascist State of Mind," "The Structure of Evil," and ... Amazon.com: The Christopher Bollas Reader This reader brings together a selection of seminal papers by Christopher Bollas. Essays such as "The Fascist State of Mind," "The Structure of Evil," and ... Christopher Bollas Reader, Paperback by Bollas, Christopher Item Number. 354878287211 ; Book Title. Christopher Bollas Reader ; ISBN. 9780415664615 ; Accurate description. 4.9 ; Reasonable shipping cost. 5.0. The Christopher Bollas Reader (Paperback) This reader brings together a selection of seminal papers by Christopher Bollas. Essays such as "The Fascist State of Mind," "The Structure of Evil," and ... Christopher Bollas Reader Author: Christopher Bollas, Jemstedt. Publisher: Routledge. Binding: Paperback. Publication Date: July 13, 2011. An independent bookseller in Hyde Park The Christopher

Bollas Reader This reader brings together a selection of seminal papers by Christopher Bollas. Essays such as "The Fascist State of Mind," "The Structure of Evil," and ... The Christopher Bollas Reader This reader brings together a selection of seminal papers by Christopher Bollas. Essays such as "The Fascist State of Mind," "The Structure of Evil," and ... The Christopher Bollas Reader This reader brings together a selection of seminal papers by Christopher Bollas. Essays such as "The Fascist State of Mind," "The Structure of Evil," and ...