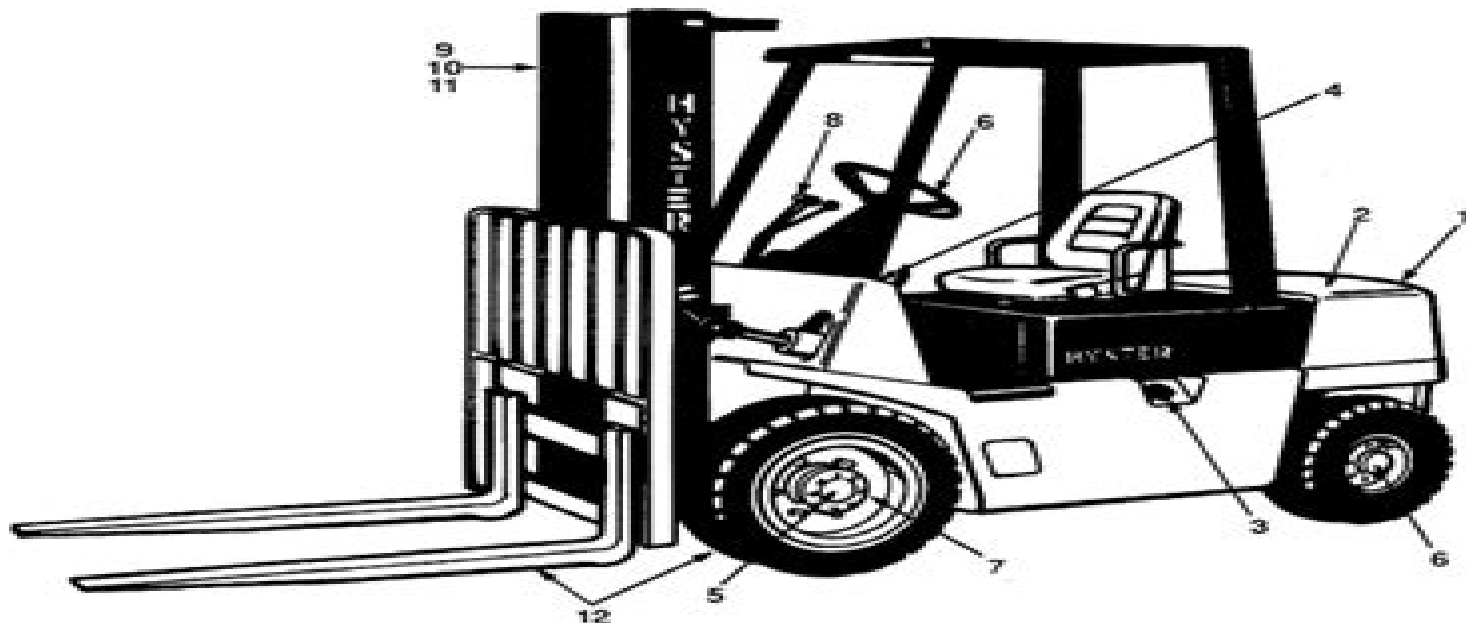


## ILLUSTRATED CONTENTS



REF	SECTION	PAGE
1	Frame .....	11
2	Engine .....	21
3	Fuel .....	87
4	Electrical .....	121
5	Transmission .....	155
6	Steering .....	173
7	Brake .....	185
8	Hydraulic .....	201
9	Mast-Vista Two-Stage Limited Free Lift .....	225
10	Mast-Vista Three-Stage Full Free Lift .....	235
11	Mast-Vista Two-Stage Full Free-Lift .....	251
12	Optional Equipment .....	265
13	Numerical Index .....	307

# Hyster 50 Fortis Parts Manual

**Yijin Wang**



## **Hyster 50 Fortis Parts Manual:**

Immerse yourself in heartwarming tales of love and emotion with Crafted by is touching creation, Tender Moments: **Hyster 50 Fortis Parts Manual** . This emotionally charged ebook, available for download in a PDF format ( \*), is a celebration of love in all its forms. Download now and let the warmth of these stories envelop your heart.

<https://staging.conocer.cide.edu/public/scholarship/Documents/Ford%206%20Speed%20Manual%20Transmission%20Diesel.pdf>

## **Table of Contents Hyster 50 Fortis Parts Manual**

1. Understanding the eBook Hyster 50 Fortis Parts Manual
  - The Rise of Digital Reading Hyster 50 Fortis Parts Manual
  - Advantages of eBooks Over Traditional Books
2. Identifying Hyster 50 Fortis Parts Manual
  - Exploring Different Genres
  - Considering Fiction vs. Non-Fiction
  - Determining Your Reading Goals
3. Choosing the Right eBook Platform
  - Popular eBook Platforms
  - Features to Look for in an Hyster 50 Fortis Parts Manual
  - User-Friendly Interface
4. Exploring eBook Recommendations from Hyster 50 Fortis Parts Manual
  - Personalized Recommendations
  - Hyster 50 Fortis Parts Manual User Reviews and Ratings
  - Hyster 50 Fortis Parts Manual and Bestseller Lists
5. Accessing Hyster 50 Fortis Parts Manual Free and Paid eBooks
  - Hyster 50 Fortis Parts Manual Public Domain eBooks
  - Hyster 50 Fortis Parts Manual eBook Subscription Services
  - Hyster 50 Fortis Parts Manual Budget-Friendly Options

6. Navigating Hyster 50 Fortis Parts Manual eBook Formats
  - ePub, PDF, MOBI, and More
  - Hyster 50 Fortis Parts Manual Compatibility with Devices
  - Hyster 50 Fortis Parts Manual Enhanced eBook Features
7. Enhancing Your Reading Experience
  - Adjustable Fonts and Text Sizes of Hyster 50 Fortis Parts Manual
  - Highlighting and Note-Taking Hyster 50 Fortis Parts Manual
  - Interactive Elements Hyster 50 Fortis Parts Manual
8. Staying Engaged with Hyster 50 Fortis Parts Manual
  - Joining Online Reading Communities
  - Participating in Virtual Book Clubs
  - Following Authors and Publishers Hyster 50 Fortis Parts Manual
9. Balancing eBooks and Physical Books Hyster 50 Fortis Parts Manual
  - Benefits of a Digital Library
  - Creating a Diverse Reading Collection Hyster 50 Fortis Parts Manual
10. Overcoming Reading Challenges
  - Dealing with Digital Eye Strain
  - Minimizing Distractions
  - Managing Screen Time
11. Cultivating a Reading Routine Hyster 50 Fortis Parts Manual
  - Setting Reading Goals Hyster 50 Fortis Parts Manual
  - Carving Out Dedicated Reading Time
12. Sourcing Reliable Information of Hyster 50 Fortis Parts Manual
  - Fact-Checking eBook Content of Hyster 50 Fortis Parts Manual
  - Distinguishing Credible Sources
13. Promoting Lifelong Learning
  - Utilizing eBooks for Skill Development
  - Exploring Educational eBooks
14. Embracing eBook Trends
  - Integration of Multimedia Elements

- Interactive and Gamified eBooks

## **Hyster 50 Fortis Parts Manual Introduction**

In this digital age, the convenience of accessing information at our fingertips has become a necessity. Whether its research papers, eBooks, or user manuals, PDF files have become the preferred format for sharing and reading documents. However, the cost associated with purchasing PDF files can sometimes be a barrier for many individuals and organizations. Thankfully, there are numerous websites and platforms that allow users to download free PDF files legally. In this article, we will explore some of the best platforms to download free PDFs. One of the most popular platforms to download free PDF files is Project Gutenberg. This online library offers over 60,000 free eBooks that are in the public domain. From classic literature to historical documents, Project Gutenberg provides a wide range of PDF files that can be downloaded and enjoyed on various devices. The website is user-friendly and allows users to search for specific titles or browse through different categories. Another reliable platform for downloading Hyster 50 Fortis Parts Manual free PDF files is Open Library. With its vast collection of over 1 million eBooks, Open Library has something for every reader. The website offers a seamless experience by providing options to borrow or download PDF files. Users simply need to create a free account to access this treasure trove of knowledge. Open Library also allows users to contribute by uploading and sharing their own PDF files, making it a collaborative platform for book enthusiasts. For those interested in academic resources, there are websites dedicated to providing free PDFs of research papers and scientific articles. One such website is Academia.edu, which allows researchers and scholars to share their work with a global audience. Users can download PDF files of research papers, theses, and dissertations covering a wide range of subjects. Academia.edu also provides a platform for discussions and networking within the academic community. When it comes to downloading Hyster 50 Fortis Parts Manual free PDF files of magazines, brochures, and catalogs, Issuu is a popular choice. This digital publishing platform hosts a vast collection of publications from around the world. Users can search for specific titles or explore various categories and genres. Issuu offers a seamless reading experience with its user-friendly interface and allows users to download PDF files for offline reading. Apart from dedicated platforms, search engines also play a crucial role in finding free PDF files. Google, for instance, has an advanced search feature that allows users to filter results by file type. By specifying the file type as "PDF," users can find websites that offer free PDF downloads on a specific topic. While downloading Hyster 50 Fortis Parts Manual free PDF files is convenient, its important to note that copyright laws must be respected. Always ensure that the PDF files you download are legally available for free. Many authors and publishers voluntarily provide free PDF versions of their work, but its essential to be cautious and verify the authenticity of the source before downloading Hyster 50 Fortis Parts Manual. In conclusion, the internet offers numerous platforms and websites that allow users to download free PDF files legally. Whether its classic

literature, research papers, or magazines, there is something for everyone. The platforms mentioned in this article, such as Project Gutenberg, Open Library, Academia.edu, and Issuu, provide access to a vast collection of PDF files. However, users should always be cautious and verify the legality of the source before downloading Hyster 50 Fortis Parts Manual any PDF files. With these platforms, the world of PDF downloads is just a click away.

## **FAQs About Hyster 50 Fortis Parts Manual Books**

1. Where can I buy Hyster 50 Fortis Parts Manual books? Bookstores: Physical bookstores like Barnes & Noble, Waterstones, and independent local stores. Online Retailers: Amazon, Book Depository, and various online bookstores offer a wide range of books in physical and digital formats.
2. What are the different book formats available? Hardcover: Sturdy and durable, usually more expensive. Paperback: Cheaper, lighter, and more portable than hardcovers. E-books: Digital books available for e-readers like Kindle or software like Apple Books, Kindle, and Google Play Books.
3. How do I choose a Hyster 50 Fortis Parts Manual book to read? Genres: Consider the genre you enjoy (fiction, non-fiction, mystery, sci-fi, etc.). Recommendations: Ask friends, join book clubs, or explore online reviews and recommendations. Author: If you like a particular author, you might enjoy more of their work.
4. How do I take care of Hyster 50 Fortis Parts Manual books? Storage: Keep them away from direct sunlight and in a dry environment. Handling: Avoid folding pages, use bookmarks, and handle them with clean hands. Cleaning: Gently dust the covers and pages occasionally.
5. Can I borrow books without buying them? Public Libraries: Local libraries offer a wide range of books for borrowing. Book Swaps: Community book exchanges or online platforms where people exchange books.
6. How can I track my reading progress or manage my book collection? Book Tracking Apps: Goodreads, LibraryThing, and Book Catalogue are popular apps for tracking your reading progress and managing book collections. Spreadsheets: You can create your own spreadsheet to track books read, ratings, and other details.
7. What are Hyster 50 Fortis Parts Manual audiobooks, and where can I find them? Audiobooks: Audio recordings of books, perfect for listening while commuting or multitasking. Platforms: Audible, LibriVox, and Google Play Books offer a wide selection of audiobooks.
8. How do I support authors or the book industry? Buy Books: Purchase books from authors or independent bookstores. Reviews: Leave reviews on platforms like Goodreads or Amazon. Promotion: Share your favorite books on social media

or recommend them to friends.

9. Are there book clubs or reading communities I can join? Local Clubs: Check for local book clubs in libraries or community centers. Online Communities: Platforms like Goodreads have virtual book clubs and discussion groups.
10. Can I read Hyster 50 Fortis Parts Manual books for free? Public Domain Books: Many classic books are available for free as they're in the public domain. Free E-books: Some websites offer free e-books legally, like Project Gutenberg or Open Library.

### **Find Hyster 50 Fortis Parts Manual :**

[ford 6 speed manual transmission diesel](#)

**ford e450 maintenance manual**

*ford 4x4 workshop manual*

**forced march ss wotan defends dieppe dogs of war book 1**

[force 10 mxl network cabling guide](#)

*ford 1000 tractors illustrated parts list manual catalog improved*

[ford cougar 2 5l v6 1998 2002 workshop service repair manual](#)

~~ford 2015 f 150 manual~~

~~ford crown victoria repair manual 2015~~

~~ford courier service manual 73~~

**ford 6600 parts manual**

~~ford courier 1991 manual~~

**ford 800 tractor shop manual**

[ford 1520 tractor shop manual](#)

~~ford 3600 tractor cooling system diagram~~

### **Hyster 50 Fortis Parts Manual :**

*kanada von west nach ost ein reisetagebuch durch* - Jun 19 2023

web kanada von west nach ost ein traum für viele familien kanada steht als reiseziel auf vielen wunschlisten ganz oben der flächenmäßig zweitgrößte staat der erde hat aber

[kanada von west nach ost ein reisetagebuch durch das 1](#) - May 18 2023



web mar 29 2018 von der größten stadt kanadas war es dann nur ein katzensprung zu den riesigen niagara wasserfällen den abschluss unserer rundreise krönten wir mit einem

**kanada rundreise kanadas highlights von ost nach west** - Mar 04 2022

web wer an kanada denkt hat gleich ein bild vor augen von den niagarafällen den ausgedehnten wildnisregionen bären in freier wildbahn und pancakes mit ahornsirup

kanada von west nach ost ein reisetagebuch durch das land - Oct 11 2022

web kanada von west nach ost ein reisetagebuch durch das land der träume german edition ebookwoche amazon com au books

*kanada von west nach ost ein reisetagebuch durch das land* - Feb 15 2023

web kanada von west nach ost ein reisetagebuch durch das land der träume ebookwoche amazon co uk books

kanada von west nach ost ein reisetagebuch durch das land - May 06 2022

web kanada von west nach ost ein reisetagebuch durch das land der träume german edition ebook ebookwoche amazon com mx tienda kindle

**kanada west ost abebooks** - Sep 10 2022

web kanada von west nach ost ein reisetagebuch durch das land der träume by ebookwoche and a great selection of related books art and collectibles available now at

**kanada roadtrip von der westküste bis zur ostküste amazon de** - Nov 12 2022

web im sommer 2018 sind wir mit dem auto von der westküste bis zur ostküste einmal quer durch kanada gefahren zu dritt waren wir insgesamt 45 tage unterwegs sind durch

**kanada von west nach ost ein reisetagebuch durch das land** - Jul 20 2023

web mar 29 2018 kanada von west nach ost ein reisetagebuch durch das land der träume ebookwoche 9781986958752 books amazon ca

**kanada von west nach ost ein reisetagebuch durch das land** - Mar 16 2023

web mar 28 2018 buy kanada von west nach ost ein reisetagebuch durch das land der träume german edition read kindle store reviews amazon com

**kanada west ost abebooks** - Apr 05 2022

web kanada von west nach ost ein reisetagebuch durch das land der träume von ebookwoche und eine große auswahl ähnlicher bücher kunst und sammlerstücke

**kanada von west nach ost ein reisetagebuch durch das land** - Oct 23 2023

web es ist ein land der abenteurer und auswanderer der autor reiste mit seiner familie vier wochen lang quer durch kanada

und berichtet im buch kanada von west nach ost

kanada von west nach ost ein reisetagebuch durch das land - Aug 21 2023

web kanada von west nach ost ein traum für viele familien kanada steht als reiseziel auf vielen wunschlisten ganz oben der flächenmäßig zweitgrößte staat der erde hat aber

kanada von west nach ost ein reisetagebuch durch das land - Aug 09 2022

web mar 28 2018 kanada von west nach ost ein reisetagebuch durch das land der träume german edition ebook  
ebookwoche amazon ca kindle store

**kanada von west nach ost ein reisetagebuch durch das land** - Jul 08 2022

web kanada von west nach ost ein traum für viele familien kanada steht als reiseziel auf vielen wunschlisten ganz oben der flächenmäßig zweitgrößte staat der erde hat aber

*kanada von west nach ost ein reisetagebuch durch das land* - Jun 07 2022

web kanada von west nach ost ein reisetagebuch durch das land der träume ebookwoche amazon com mx libros

kanada von west nach ost ein reisetagebuch durch das land - Feb 03 2022

web kanada von west nach ost ein reisetagebuch durch das land der träume ebook ebookwoche amazon de kindle store

kanada von west nach ost ein reisetagebuch durch das land - Jan 14 2023

web may 16 2018 kanada von west nach ost ein traum für viele familien kanada steht als reiseziel auf vielen wunschlisten ganz oben der flächenmäßig zweitgrößte staat

**amazon com kanada von west nach ost ein reisetagebuch** - Apr 17 2023

web amazon com kanada von west nach ost ein reisetagebuch durch das land der träume canada from west to east a travel diary through the land of dreams

**kanada von west nach ost ein reisetagebuch durch das land** - Dec 13 2022

web mar 29 2018 amazon com kanada von west nach ost ein reisetagebuch durch das land der träume german edition 9781986958752 ebookwoche books

**kanada von west nach ost ein reisetagebuch durch das land** - Sep 22 2023

web kanada von west nach ost ein reisetagebuch durch das land der träume ebookwoche amazon sg books

**opera mini review techradar** - Nov 03 2022

web jul 27 2023 opera mini is the perfect browser to choose if you re trying to work with a slow internet connection it s lightweight fast and always tries to maximize data saving hence it s also a great

download opera mini app free download links opera mini - May 29 2022

web to download and install opera mini for pc click on the get opera mini button you will be taken to the product page on the

official store mostly it is an official website of the app please follow next instructions press the button and open the official source it could ask you to register to get the app

*opera mini for android ad blocker file sharing data savings opera* - Jul 11 2023

web download the app here why opera mini substantial data savings save up to 90 of your data and browse faster on slow networks smart browsing automatically selects the optimal browsing mode native ad blocker

download the opera browser for computer phone tablet opera - Oct 14 2023

web download the app here opera gx for ios opera mini for android don t have google play download the app here download other opera products the ultimate 2d game development environment everything you need to start making games try now chat for free in the opera mini browser with hype the best way to chat share and browse all

**the opera blog news opera** - Sep 01 2022

web opera s free vpn ad blocker and flow file sharing just a few of the must have features built into opera for faster smoother and distraction free browsing designed to improve your online experience the latest news about opera web browsers tech trends internet tips

opera for mobile devices - Mar 07 2023

web download opera mini 8 english usa download in another language other download options for more information visit

**convert webpage to pdf in opera dochub** - Jun 29 2022

web print and save as pdf in opera launch the opera browser ensure its updated to the latest version open the web page to save it as a pdf click on opera hover on the page menu and select print select save as pdf under the destination field hit on save command choose the location to save the pdf file

**download the opera browser for computer phone tablet opera** - Jun 10 2023

web opera mini for android don t have google play download the app here download other opera products the ultimate 2d game development environment everything you need to start making games try now chat for free in the opera mini browser with hype the best way to chat share and browse all in one app try now opera news for android

**opera download free 104 0 4944 54 techspot** - Jul 31 2022

web nov 9 2023 to activate the opera built in vpn open the settings tab and navigate to advanced settings where you will find the vpn option once enabled a vpn badge will appear left of the address bar

*opera mini manual for pc win 7 64 bit pdf docslib org* - Mar 27 2022

web windows 7 professional sp1 java version 7 update 67 build 1 7 0 71 b14 32 bit note about mac browsers java 7 is only 64 bit on the mac os x platform not supported in chrome for macintosh chrome is 32 bit only or opera 16 for you can use opera mini an iphone app that will run on an ipad that will

*documents extension opera addons* - Oct 02 2022

web documents by christoph142 4 1 5 your rating awfulpooraveragegoodexcellent total number of ratings 86 opera browser required download opera this extension enhances opera s abilities to show online documents

[opera browser windows mac linux android ios opera](#) - Apr 08 2023

web opera s free vpn ad blocker and flow file sharing just a few of the must have features built into opera for faster smoother and distraction free browsing designed to improve your online experience download opera browser for computers mobile devices to browse the web faster safer and for free seamlessly connect opera browser across

**opera browser download** - Apr 27 2022

web oct 16 2023 setting up opera browser for pc while retaining the simple and clean interface opera download for pc comes with a wide range of features with built in support for whatsapp messenger and telegram the web browser makes it easier to connect with friends and family moreover it helps you avoid third party extensions and clunky web

**opera browser with ai apps on google play** - Dec 04 2022

web nov 9 2023 about this app arrow forward meet with aria powerful ai browser right on fingertips chat and browse with the native ai in opera unlimited opera secures web privacy with ad block free vpn features the private and personal browser browse with the aria ai free built in vpn private personal web browser fast data saving mode

*opera mini fast web browser apps on google play* - Aug 12 2023

web oct 27 2023 opera mini is the super fast secure and full featured web browser in light package size and saving data up to 90 now with ad block private search smart download tool video player and so

*opera mini wikipedia* - Jan 05 2023

web freeware website opera com mobile mini opera mini is a mobile web browser made by opera it was primarily designed for the java me platform as a low end sibling for opera mobile but as of 2022 only the android build was still under active development

*frequently asked questions for opera mini for android* - Feb 06 2023

web opera mini s smart night mode includes two different settings for your screen one that dims and one that reduces blue light less blue light can help you get to sleep more naturally to turn on night mode tap the settings cogwheel icon in the main menu tap night mode tick the box next to enabled

**opera mini untuk android pemblokir iklan berbagi file** - Feb 23 2022

web unduh opera mini untuk ponsel atau tablet android anda nikmati pemblokiran iklan berbagi file penghematan data penelusuran pribadi mode malam sinkronisasi dan pengunduhan cerdas secara gratis

**installing opera mini on your computer** - May 09 2023

web jul 17 2014 now we will run opera mini inside microemulator open microemulator and go to file open midlet file then navigate to the location where you ve saved the downloaded opera mini advanced en jar file and open it then click start opera mini will be installed and subsequently its eula is shown once you accept it the opera

**download opera mini for mobile phones opera** - Sep 13 2023

web faster cheaper internet for your phone opera mini is one of the world s most popular web browsers that works on almost any phone save up to 90 of your data for free visit m opera com on your phone to download opera mini 8

*un estate lunga sette giorni formato kindle amazon it* - Mar 09 2023

web e la storia di un amicizia speciale tra due adolescenti sfigati cioè diversi dai coetanei che alla fine dell anno scolastico uniscono le loro due solitudini in un avventura straordinaria

*un estate lunga sette giorni wolfgang herrndorf google books* - Apr 10 2023

web feb 8 2012 wolfgang herrndorf è nato nel 1965 ad amburgo e vive a berlino un estate lunga sette giorni ha vinto il deutscher jugendliteraturpreis il prestigioso premio che

**un estate lunga sette giorni rizzoli libri** - Jul 13 2023

web goodbye berlin pubblicato per la prima volta in italia con il titolo un estate lunga sette giorni è ormai un classico della letteratura per giovani adulti tradotto in più di 30

*un estate lunga sette giorni wolfgang herrndorf rizzoli 2012* - May 31 2022

web un estate lunga sette giorni quando tschick arriva nella classe di maik non passa inosservato zigomi pronunciati occhi da mongolo non apre bocca e puzza di alcol di

*estate lunga sette giorni un mondadori store* - Dec 06 2022

web acquista online il libro estate lunga sette giorni un di wolfgang herrndorf in offerta a prezzi imbattibili su mondadori store

**un estate lunga sette giorni le letture di biblioragazzi** - Jan 27 2022

web jul 18 2013 un bel romanzo on the road fresco e profondo comico e riflessivo allo stesso tempo una fuga dall immagine che gli altri hanno di noi dagli stereotipi in cui siamo

**un estate lunga sette giorni by wolfgang herrndorf goodreads** - Jun 12 2023

web mar 21 2022 un estate lunga sette giorni book read 1 475 reviews from the world s largest community for readers quando tschick arriva nella classe di maik non pass

**un estate lunga sette giorni libreria universitaria** - Feb 25 2022

web un estate lunga sette giorni di wolfgang herrndorf editore rizzoli collana rizzoli narrativa traduttore valtieri a data di pubblicazione 8 febbraio 2012 ean

**un estate lunga sette giorni herrndorf wolfgang libreria ibs** - Nov 24 2021

web un estate lunga sette giorni herrndorf wolfgang ebook epub2 con adobe drm ibs home ebook narrativa straniera moderna e contemporanea dopo il 1945 un

**un estate lunga sette giorni by wolfgang herrndorf rizzoli** - Mar 29 2022

web discover the story and reviews of un estate lunga sette giorni by wolfgang herrndorf published by rizzoli paperback on anobii

*un estate lunga sette giorni apple books* - Aug 02 2022

web feb 8 2012 zigomi pronunciati occhi da mongolo non apre bocca e puzza di alcol di sicuro non sembra uno con cui fare amicizia ma tutto può succedere quando tua madre

*ebook un estate lunga sette giorni* - Apr 29 2022

web piemontese giovanna studentessa romana arriva per un réportage fotografico sulla natura tra i due forse nascerà qualcosa in più di un affettuosa amicizia le

un estate lunga sette giorni a viaggiar tra libri - Jul 01 2022

web ma l unico invito che riceve è quello a fare un giro su una scassata lada rubata dal suo nuovo compagno di classe tschick un ragazzo russo appena arrivato a berlino che si

**un estate lunga sette giorni copy reports budgetbakers** - Dec 26 2021

web un racconto commovente ed esaltante che si snoda lungo l arco delle quattro stagioni mentre uomini animali piante e cose ognuno riaccende la propria scintilla di vita

**amazon it recensioni clienti un 39 estate lunga sette giorni** - Sep 03 2022

web un estate lunga sette giorni da wolfgang herrndorf scrivi una recensione come funzionano le recensioni e le valutazioni dei clienti visualizza tutte le opzioni di acquisto

un estate lunga sette giorni italian edition kindle edition - Oct 04 2022

web feb 8 2012 buy un estate lunga sette giorni italian edition read kindle store reviews amazon com

**un estate lunga sette giorni 9788817054331 amazon com books** - Oct 24 2021

web un estate lunga sette giorni on amazon com free shipping on qualifying offers un estate lunga sette giorni

*un estate lunga sette giorni xanadu* - Aug 14 2023

web wolfgang herrndorf un estate lunga sette giorni rizzoli misi il braccio fuori dal finestrino e ci appoggiai sopra il capo tenendo una media di trenta allora costeggiavamo prati e

goodbye berlin wolfgang herrndorf google books - Nov 05 2022

web apr 28 2015 goodbye berlin già apparso in italia con il titolo un estate lunga sette giorni è ormai un classico della

letteratura per giovani adulti tradotto in più di 30

*un estate lunga sette giorni wolfgang herrndorf mondadori store* - Feb 08 2023

web se poi tatjana cosic la ragazza di cui sei innamorato perso non ti invita alla sua festa di compleanno può anche darsi che ti ritrovi su un'auto rubata accanto a tschick per

**un estate lunga sette giorni wolfgang herrndorf libro rizzoli** - May 11 2023

web un estate lunga sette giorni è un libro di wolfgang herrndorf pubblicato da rizzoli nella collana rizzoli narrativa acquista su ibs a 13 30

un estate lunga sette giorni google play - Jan 07 2023

web un estate lunga sette giorni ebook written by wolfgang herrndorf read this book using google play books app on your pc android ios devices download for offline reading