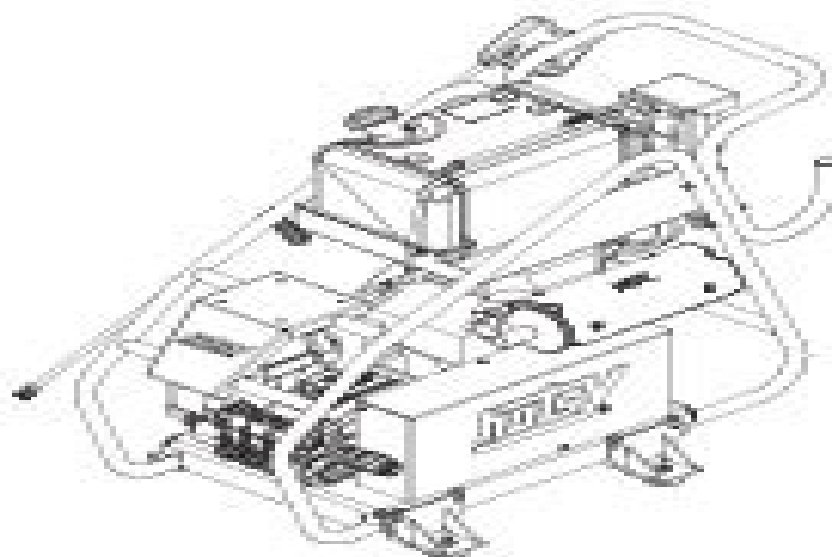


High Pressure Cleaner  
Combustion engine - Cold Water



# OPERATOR'S MANUAL

English... 3  
Español... 33  
Français... 65



**MODELS:**

HHD 6/30 G  
1.107-377.0

HHD 6/30 G  
1.107-378.0

HHD 6/35 G  
1.107-379.0

HHD 3.430 D  
1.107-382.0

For the Holsy Dealer nearest you,  
consult our web page at  
[www.holsy.com](http://www.holsy.com)

## SHOP PRESSURE WASHER PARTS

[shoppressurewasherparts.com](http://shoppressurewasherparts.com) | (866) 363-0173



2.808-121.0 - 0 (02/21)

# Hotsy Model 7862 Operators Manual

**Richard Bailey**



**Hotsy Model 7862 Operators Manual:**

Hotsy Model 7862 Operators Manual: Bestsellers in 2023 The year 2023 has witnessed a remarkable surge in literary brilliance, with numerous captivating novels enthraling the hearts of readers worldwide. Lets delve into the realm of bestselling books, exploring the engaging narratives that have enthralled audiences this year. The Must-Read : Colleen Hoover "It Ends with Us" This poignant tale of love, loss, and resilience has captivated readers with its raw and emotional exploration of domestic abuse. Hoover skillfully weaves a story of hope and healing, reminding us that even in the darkest of times, the human spirit can succeed. Hotsy Model 7862 Operators Manual : Taylor Jenkins Reids "The Seven Husbands of Evelyn Hugo" This intriguing historical fiction novel unravels the life of Evelyn Hugo, a Hollywood icon who defies expectations and societal norms to pursue her dreams. Reids captivating storytelling and compelling characters transport readers to a bygone era, immersing them in a world of glamour, ambition, and self-discovery. Discover the Magic : Delia Owens "Where the Crawdads Sing" This mesmerizing coming-of-age story follows Kya Clark, a young woman who grows up alone in the marshes of North Carolina. Owens weaves a tale of resilience, survival, and the transformative power of nature, entrancing readers with its evocative prose and mesmerizing setting. These bestselling novels represent just a fraction of the literary treasures that have emerged in 2023. Whether you seek tales of romance, adventure, or personal growth, the world of literature offers an abundance of engaging stories waiting to be discovered. The novel begins with Richard Papen, a bright but troubled young man, arriving at Hampden College. Richard is immediately drawn to the group of students who call themselves the Classics Club. The club is led by Henry Winter, a brilliant and charismatic young man. Henry is obsessed with Greek mythology and philosophy, and he quickly draws Richard into his world. The other members of the Classics Club are equally as fascinating. Bunny Corcoran is a wealthy and spoiled young man who is always looking for a good time. Charles Tavis is a quiet and reserved young man who is deeply in love with Henry. Camilla Macaulay is a beautiful and intelligent young woman who is drawn to the power and danger of the Classics Club. The students are all deeply in love with Morrow, and they are willing to do anything to please him. Morrow is a complex and mysterious figure, and he seems to be manipulating the students for his own purposes. As the students become more involved with Morrow, they begin to commit increasingly dangerous acts. The Secret History is a brilliant and thrilling novel that will keep you speculating until the very end. The novel is a warning tale about the dangers of obsession and the power of evil.

[https://staging.conocer.cide.edu/data/uploaded-files/HomePages/inspector\\_probys\\_weekend.pdf](https://staging.conocer.cide.edu/data/uploaded-files/HomePages/inspector_probys_weekend.pdf)

**Table of Contents Hotsy Model 7862 Operators Manual**

1. Understanding the eBook Hotsy Model 7862 Operators Manual
  - The Rise of Digital Reading Hotsy Model 7862 Operators Manual
  - Advantages of eBooks Over Traditional Books
2. Identifying Hotsy Model 7862 Operators Manual
  - Exploring Different Genres
  - Considering Fiction vs. Non-Fiction
  - Determining Your Reading Goals
3. Choosing the Right eBook Platform
  - Popular eBook Platforms
  - Features to Look for in an Hotsy Model 7862 Operators Manual
  - User-Friendly Interface
4. Exploring eBook Recommendations from Hotsy Model 7862 Operators Manual
  - Personalized Recommendations
  - Hotsy Model 7862 Operators Manual User Reviews and Ratings
  - Hotsy Model 7862 Operators Manual and Bestseller Lists
5. Accessing Hotsy Model 7862 Operators Manual Free and Paid eBooks
  - Hotsy Model 7862 Operators Manual Public Domain eBooks
  - Hotsy Model 7862 Operators Manual eBook Subscription Services
  - Hotsy Model 7862 Operators Manual Budget-Friendly Options
6. Navigating Hotsy Model 7862 Operators Manual eBook Formats
  - ePub, PDF, MOBI, and More
  - Hotsy Model 7862 Operators Manual Compatibility with Devices
  - Hotsy Model 7862 Operators Manual Enhanced eBook Features
7. Enhancing Your Reading Experience
  - Adjustable Fonts and Text Sizes of Hotsy Model 7862 Operators Manual
  - Highlighting and Note-Taking Hotsy Model 7862 Operators Manual
  - Interactive Elements Hotsy Model 7862 Operators Manual
8. Staying Engaged with Hotsy Model 7862 Operators Manual

- Joining Online Reading Communities
  - Participating in Virtual Book Clubs
  - Following Authors and Publishers Hotsy Model 7862 Operators Manual
9. Balancing eBooks and Physical Books Hotsy Model 7862 Operators Manual
- Benefits of a Digital Library
  - Creating a Diverse Reading Collection Hotsy Model 7862 Operators Manual
10. Overcoming Reading Challenges
- Dealing with Digital Eye Strain
  - Minimizing Distractions
  - Managing Screen Time
11. Cultivating a Reading Routine Hotsy Model 7862 Operators Manual
- Setting Reading Goals Hotsy Model 7862 Operators Manual
  - Carving Out Dedicated Reading Time
12. Sourcing Reliable Information of Hotsy Model 7862 Operators Manual
- Fact-Checking eBook Content of Hotsy Model 7862 Operators Manual
  - Distinguishing Credible Sources
13. Promoting Lifelong Learning
- Utilizing eBooks for Skill Development
  - Exploring Educational eBooks
14. Embracing eBook Trends
- Integration of Multimedia Elements
  - Interactive and Gamified eBooks

### **Hotsy Model 7862 Operators Manual Introduction**

Hotsy Model 7862 Operators Manual Offers over 60,000 free eBooks, including many classics that are in the public domain. Open Library: Provides access to over 1 million free eBooks, including classic literature and contemporary works. Hotsy Model 7862 Operators Manual Offers a vast collection of books, some of which are available for free as PDF downloads, particularly older books in the public domain. Hotsy Model 7862 Operators Manual : This website hosts a vast collection of scientific articles, books, and textbooks. While it operates in a legal gray area due to copyright issues, its a popular resource for finding various publications. Internet Archive for Hotsy Model 7862 Operators Manual : Has an extensive collection of

digital content, including books, articles, videos, and more. It has a massive library of free downloadable books. Free-eBooks Hotsy Model 7862 Operators Manual Offers a diverse range of free eBooks across various genres. Hotsy Model 7862 Operators Manual Focuses mainly on educational books, textbooks, and business books. It offers free PDF downloads for educational purposes. Hotsy Model 7862 Operators Manual Provides a large selection of free eBooks in different genres, which are available for download in various formats, including PDF. Finding specific Hotsy Model 7862 Operators Manual, especially related to Hotsy Model 7862 Operators Manual, might be challenging as theyre often artistic creations rather than practical blueprints. However, you can explore the following steps to search for or create your own Online Searches: Look for websites, forums, or blogs dedicated to Hotsy Model 7862 Operators Manual, Sometimes enthusiasts share their designs or concepts in PDF format. Books and Magazines Some Hotsy Model 7862 Operators Manual books or magazines might include. Look for these in online stores or libraries. Remember that while Hotsy Model 7862 Operators Manual, sharing copyrighted material without permission is not legal. Always ensure youre either creating your own or obtaining them from legitimate sources that allow sharing and downloading. Library Check if your local library offers eBook lending services. Many libraries have digital catalogs where you can borrow Hotsy Model 7862 Operators Manual eBooks for free, including popular titles. Online Retailers: Websites like Amazon, Google Books, or Apple Books often sell eBooks. Sometimes, authors or publishers offer promotions or free periods for certain books. Authors Website Occasionally, authors provide excerpts or short stories for free on their websites. While this might not be the Hotsy Model 7862 Operators Manual full book , it can give you a taste of the authors writing style. Subscription Services Platforms like Kindle Unlimited or Scribd offer subscription-based access to a wide range of Hotsy Model 7862 Operators Manual eBooks, including some popular titles.

### **FAQs About Hotsy Model 7862 Operators Manual Books**

1. Where can I buy Hotsy Model 7862 Operators Manual books? Bookstores: Physical bookstores like Barnes & Noble, Waterstones, and independent local stores. Online Retailers: Amazon, Book Depository, and various online bookstores offer a wide range of books in physical and digital formats.
2. What are the different book formats available? Hardcover: Sturdy and durable, usually more expensive. Paperback: Cheaper, lighter, and more portable than hardcovers. E-books: Digital books available for e-readers like Kindle or software like Apple Books, Kindle, and Google Play Books.
3. How do I choose a Hotsy Model 7862 Operators Manual book to read? Genres: Consider the genre you enjoy (fiction, non-fiction, mystery, sci-fi, etc.). Recommendations: Ask friends, join book clubs, or explore online reviews and

- recommendations. Author: If you like a particular author, you might enjoy more of their work.
4. How do I take care of Hotsy Model 7862 Operators Manual books? Storage: Keep them away from direct sunlight and in a dry environment. Handling: Avoid folding pages, use bookmarks, and handle them with clean hands. Cleaning: Gently dust the covers and pages occasionally.
  5. Can I borrow books without buying them? Public Libraries: Local libraries offer a wide range of books for borrowing. Book Swaps: Community book exchanges or online platforms where people exchange books.
  6. How can I track my reading progress or manage my book collection? Book Tracking Apps: Goodreads, LibraryThing, and Book Catalogue are popular apps for tracking your reading progress and managing book collections. Spreadsheets: You can create your own spreadsheet to track books read, ratings, and other details.
  7. What are Hotsy Model 7862 Operators Manual audiobooks, and where can I find them? Audiobooks: Audio recordings of books, perfect for listening while commuting or multitasking. Platforms: Audible, LibriVox, and Google Play Books offer a wide selection of audiobooks.
  8. How do I support authors or the book industry? Buy Books: Purchase books from authors or independent bookstores. Reviews: Leave reviews on platforms like Goodreads or Amazon. Promotion: Share your favorite books on social media or recommend them to friends.
  9. Are there book clubs or reading communities I can join? Local Clubs: Check for local book clubs in libraries or community centers. Online Communities: Platforms like Goodreads have virtual book clubs and discussion groups.
  10. Can I read Hotsy Model 7862 Operators Manual books for free? Public Domain Books: Many classic books are available for free as they're in the public domain. Free E-books: Some websites offer free e-books legally, like Project Gutenberg or Open Library.

### **Find Hotsy Model 7862 Operators Manual :**

*inspector probys weekend*

[inspired meditations in upper ojai a treasured string of pearls](#)

**insight barbados**

[inside the law schools a guide by and for students](#)

[instructors manual for literature structure sound and sense](#)

[institutions and politics summary outline for u.s. and texas](#)

[insight compact guidegran canaria](#)



**instant bible studies fresh ideas resource paperback by**

*insight fleximap athens*

**insiders guide to myrtle beach insiders guide**

insider guide to successful interviews

instant blues the play by ear series

instant expert collectings

**insight guides china china**

**instructors manual to accompany purchasing and materials management text and cases - third edition.**

**Hotsy Model 7862 Operators Manual :**

**je ra c vise avec les p tites poules 7 8 ans cahi pdf** - Apr 01 2023

web je ra c vise avec les p tites poules 7 8 ans cahi yves klein 1928 1962 the expression of tense aspect modality and evidentiality in albert camus s l Étranger

**je ra c vise avec les p tites poules 7 8 ans cahi pdf pdf** - Nov 27 2022

web je ra c vise avec les p tites poules 7 8 ans cahi pdf the enigmatic realm of je ra c vise avec les p tites poules 7 8 ans cahi pdf unleashing the language is inner magic

**je révise avec les p tites poules 7 8 ans cahier de vacances** - May 02 2023

web je révise avec les p tites poules 7 8 ans cahier de vacances by ernest robert je révise avec les p tites poules 7 8 ans cahier de vacances by ernest robert

**je révise avec les p tites poules 7 8 ans cahier de vacances** - Jul 24 2022

web je révise avec les p tites poules 7 8 ans cahier de vacances by ernest robert je révise avec les p tites poules 7 8 ans cahier de vacances by ernest robert rad

**ce inseamna cand visezi copil mic 10 mesaje la care trebuie sa** - Aug 25 2022

web jan 24 2023 ce inseamna cand visezi un copil mic un copil care a disparut acest vis poate avea semnificatii pozitive sau negative depinde cine pierde copilul daca visezi

je révise avec les p tites poules ce1 7 8 ans goodreads - Sep 06 2023

web retrouvez tout l univers joyeux et malicieux des p tites poules dans ce cahier d activités pour aider votre enfant à réviser son année de ce1 tout en s amusant les enfants ont

ce înseamnă când visezi copil dictionar vise de noapte - Sep 25 2022

web ce înseamnă când visezi copil ce înseamnă când visezi copil aceste vise nu ar trebui să fie confundate cu visele despre

bebeluși sau adolescenți a visa un copil înseamnă a

**je révise avec les p tites poules 6 7 ans cahier de vacances** - Nov 15 2021

web je révise avec les p tites poules 6 7 ans cahier de vacances by christian jolibois vivant histoire géographie espace et temps et histoire des arts chaque cahier des

je révise avec les p tites poules ce1 7 8 ans - Oct 07 2023

web retrouvez tout l univers joyeux et malicieux des p tites poules dans ce cahier d activités pour aider votre enfant à réviser son année de ce1 tout en s amusant je révise avec

*je ra c vise avec les p tites poules 7 8 ans cahi pdf gccca* - Aug 05 2023

web mar 20 2023 computer je ra c vise avec les p tites poules 7 8 ans cahi pdf is within reach in our digital library an online access to it is set as public suitably you can

**je ra c vise avec les p tites poules 7 8 ans cahi h greenfield** - Jan 30 2023

web feb 27 2023 je ra c vise avec les p tites poules 7 8 ans cahi this is likewise one of the factors by obtaining the soft documents of this je ra c vise avec les p tites

**ce înseamnă când visezi un câine am visat un câine shtiu ro** - Oct 27 2022

web jul 9 2020 ce înseamnă când visezi un câine visele cu câini sunt prezente mereu în viața unui adult sau a unui copil și reprezintă de obicei anumite aspecte psihologice dar

je ra c vise avec les p tites poules 7 8 ans cahi pdf gccca - Mar 20 2022

web je ra c vise avec les p tites poules 7 8 ans cahi pdf right here we have countless books je ra c vise avec les p tites poules 7 8 ans cahi pdf and collections to

je révise avec les p tites poules 7 8 ans cahier de vacances - Jan 18 2022

web je révise avec les p tites poules 7 8 ans cahier de vacances by ernest robert tous les mots contenant les lettres c e i j r et u urbact regeneration urbaine et patrimoine

*je révise avec les p tites poules 7 8 ans cahier de vacances* - Feb 16 2022

web sep 16 2023 je révise avec les p tites poules 7 8 ans cahier de vacances by ernest robert rad la radance lost in the sauce lyrics genius lyrics franais education

je révise avec les p tites poules 7 8 ans cahier de vacances - Apr 20 2022

web je révise avec les p tites poules 7 8 ans cahier de vacances by ernest robert je révise avec les p tites poules 7 8 ans cahier de vacances by ernest robert tous

*je ra c vise avec les p tites poules 7 8 ans cahi dany* - Jul 04 2023

web je ra c vise avec les p tites poules 7 8 ans cahi is available in our digital library an online access to it is kindly say the je

ra c vise avec les p tites poules 7 8 ans

je ra c vise avec les p tites poules 7 8 ans cahi albert - Dec 29 2022

web as this je ra c vise avec les p tites poules 7 8 ans cahi it ends stirring physical one of the favored book je ra c vise avec les p tites poules 7 8 ans cahi collections

*je ra c vise avec les p tites poules 7 8 ans cahi pdf* - Jun 03 2023

web aug 6 2023 je ra c vise avec les p tites poules 7 8 ans cahi pdf getting the books je ra c vise avec les p tites poules 7 8 ans cahi pdf now is not type of inspiring

**je révise avec les p tites poules 7 8 ans cahier de vacances** - Jun 22 2022

web je révise avec les p tites poules 7 8 ans cahier de vacances by ernest robert diversité des activités proposées et à votre accompagnement bienveillant votre enfant

*je révise avec les p tites poules 7 8 ans cahier de vacances* - Feb 28 2023

web je révise avec les p tites poules 7 8 ans cahier de vacances by ernest robert je révise avec les p tites poules 7 8 ans cahier de vacances by ernest robert c h a r

**je ra c vise avec les p tites poules 7 8 ans cahi htaccess** - May 22 2022

web mar 22 2023 ce qui fait le succès de cet ouvrage de communication 74 situations courantes de la vie au travail empruntées à la communication orale et à la

**free je ra c vise avec les p tites poules 7 8 ans cahi** - Dec 17 2021

web mar 21 2023 merely said the je ra c vise avec les p tites poules 7 8 ans cahi is universally compatible taking into consideration any devices to read dictionnaire

**popular collection band 5 verschiedene rundel dux1151** - Jul 05 2023

web info ab sofort nie mehr ohne begleitung die anspruchsvolle bläuserserie popular collection enthält viele bekannte melodien aus klassik film rock pop mit der begleit cd eingespielt von professionellen musikern macht das

popular collection blasinstrumente - Sep 07 2023

web trumpet solo 16 weltbekannte populäre melodien aus allen bereichen der musik der bläser findet unvergessene standards und classics pop songs filmmusik und evergreens die passende playalong doppel cd ist mit der bestellnummer d1110 separat erhältlich 13 80 inkl 7 mwst bestellen arturo himmer popular collection 1

**popular collection band 5 für klarinette solo klarinette noten** - May 03 2023

web popular collection band 5 für klarinette solo klarinette im blasmusik shop kaufen zahlung auf rechnung trusted shops käuferschutz einfach sicher bestellen

**101 popular songs for clarinet solos duets amazon com** - May 23 2022

web jan 1 2009 paperback 17 96 5 used from 9 99 3 new from 17 96 santorella publications is proud to present 101 popular songs for clarinet after countless requests we have brought it all together under one roof it has been decades since a brass or reed player could find so many recognizable songs from assorted genres in a single collection

**popular collection 5 klarinette solo book abebooks** - Jan 31 2023

web popular collection 5 klarinette solo book stock image stock image view larger image popular collection 5 klarinette solo book arturo himmer 0 ratings by goodreads isbn 10 3868490787 isbn 13 9783868490787 published by edition dux gbr gerhard halbig germany 2010

**popular collection 5 klarinette arturo himmer arr arturo** - Aug 06 2023

web clarinet solo 16 world famous popular melodies from all areas of music the player will find unforgotten standards and classics pop songs movie songs and evergreens the playalong double cd is separately available with the product code d1150

**popular collection 5 presto music** - Jun 04 2023

web sheet music for popular collection 5 buy online clarinet clt published by dux edition editor himmer arturo

[the best clarinet solos clarinet expert](#) - Feb 17 2022

web this list is biased towards solo clarinet music compositions that display exceptional innovation in the structure and style of composition and arrangement individual creativity and the ability of the composers of the best clarinet solos make the compositions listed in this article stand out from the pool

**popular collection 5 klarinette solo notenbuch de** - Aug 26 2022

web Über 700 000 noten als notenbücher tabaturen von rock bis klassik gratisversand ab 20 sofort download vieler songs jetzt günstig bestellen

**popular collection noten cds stretta noten shop** - Apr 02 2023

web popular collection 5 2 cd s jeweils mit solo und playback und playback allein 2 playback cds ohne noten artikelnr 298854

**clarinet best of playlist by udiscovermusic classical spotify** - Apr 21 2022

web clarinet best of playlist 19 songs 7 9k likes

**popular collection 5 buy now in the stretta sheet music shop** - Mar 01 2023

web popular collection 5 clarinet piano keyboard band 5 piano score solo part fast and reliable delivery worldwide popular collection 5 buy now in the stretta sheet music shop

[suchergebnis auf amazon de für popular collection klarinette](#) - Nov 28 2022

web popular collection 1 klarinette solo clarinet solo englische ausgabe von arturo himmer 13 mai 1997 paperback 13 80 gratis lieferung mi 11 okt nur noch 2 auf lager andere angebote 10 28 21 gebrauchte und neue artikel popular collection 9 klarinette solo 13 80 lieferung für 2 39 13 16 okt andere angebote

*popular collection 5 im stretta noten shop kaufen* - Dec 30 2022

web popular collection 5 clarinet solo band 5 einzelstimme schnelle und zuverlässige lieferung weltweit

popular collection 5 klarinette klavier klarinette und klavier - Mar 21 2022

web popular collection 5 klarinette klavier 16 weltbekannte populäre melodien aus allen bereichen der musik der bläser findet unvergessene standards und classics pop songs filmmusik und evergreens die passende playalong doppel cd ist separat

**popular collection 5 clarinet solo perfect binding cilt** - Oct 08 2023

web arama yapmak istediğiniz kategoriye seçin

popular collection 6 klarinette solo notenbuch de - Jun 23 2022

web kurzbeschreibung 16 weltbekannte populäre melodien aus allen bereichen der musik der bläser findet unvergessene standards und classics pop songs filmmusik und evergreens eine playalong doppel cd ist separat erhältlich playalong cd zu popular collection band 6 besetzung klarinette solo verlag musikverlag dux art nr 85960

*popular collection 5 popular collection blasinstrumente* - Oct 28 2022

web popular collection christmas klavier akkordeon keyboard gitarre trompete saxophon klarinette posaune horn querflöte ukulele schlagzeug das weihnachts ding liederbuch

**popular collection 10 klarinette solo amazon de** - Jul 25 2022

web popular collection 10 klarinette solo arturo himmer isbn 9790500170792 kostenloser versand für alle bücher mit versand und verkauf durch amazon

*popular collection 5 von arturo himmer stretta music* - Sep 26 2022

web arturo himmer popular collection 5 clarinet piano keyboard schnelle und zuverlässige lieferung weltweit

perl in 21 tagen schritt für schritt zum programmierprofi - Aug 02 2023

web perl in 21 tagen schritt für schritt zum programmierprofi author laura lemay 77 downloads 1134 views 1mb size report perl in 21 tagen schritt für schritt zum

*perl programmiersprache wikipedia* - Jun 19 2022

web perl perl ist eine freie plattformunabhängige und interpretierte programmiersprache die mehrere paradigmen unterstützt der linguist larry wall entwarf sie 1987 als synthese

**teach yourself perl 5 in 21 days pdf programmer books** - Feb 25 2023

web introduction this book is designed to teach you the perl programming language in just 21 days when you finish reading this book you will have learned why perl is growing

**perl in 21 tagen schritt für schritt zum programmierprofi in 14** - Jan 15 2022

web jul 20 2023 [c in 21 tagen schritt für schritt zum programmierprofi wie sie die gurke ihre gurke detox smoothie für welpen erziehen umgang mit dem welpen in den ersten tagen](#)

[perl in 21 tagen schritt für schritt zum programm pdf](#) - Jul 01 2023

web c in 21 tagen jesse liberty 2005 teach yourself java for macintosh in 21 days laura lemay 1996 01 01 takes a tutorial approach towards developing and serving java

[free perl in 21 tagen schritt für schritt zum programm](#) - Mar 17 2022

web perl in 21 tagen schritt für schritt zum programm beleuchtung der elementarschule fürs leben zum sicheren leichteren und verständniss zweite vermehrte auflage etc

[perl in 21 tagen schritt für schritt zum programmierprofi in](#) - Sep 03 2023

web perl in 21 tagen schritt für schritt zum programmierprofi in 14 21 tagen lemay laura isbn 9783827220387 kostenloser versand für alle bücher mit versand und

[perl in 21 tagen schritt für schritt zum programmierprofi in 14](#) - Feb 13 2022

web jun 11 2023 [set up the perl in 21 tagen schritt für schritt zum programmierprofi in 14 21 tagen by laura lemay it is totally easy then currently speaking we extend the](#)

[perl in 21 tagen schritt für schritt zum profi amazon de](#) - Apr 29 2023

web es richtet sich an anfänger erklärt perl von grund auf vertieft fortgeschrittene themen schritt für schritt und geht dabei z b auch auf die objektorientierte programmierung

[perl in 21 tagen schritt für schritt zum profi plus ebook pdf](#) - May 31 2023

web read download pdf perl in 21 tagen schritt für schritt zum profi plus ebook free update the latest version with high quality try now

[perl in 21 tagen schritt für schritt zum programm pdf api](#) - Apr 17 2022

web perl in 21 tagen schritt für schritt zum programm 3 3 others are not readily available and are difficult to read for users therefore it is essential that a wellstructured technical

**perl in 21 tagen schritt für schritt zum programmierprofi** - Aug 22 2022

web schritt für schritt zum programmierprofi in 14 21 tagen von lemay laura isbn 10 3827220386 isbn 13 9783827220387 markt technik 2000 hardcover schritt für

**perl in 21 tagen schritt für schritt zum programmierprofi chm** - Oct 04 2023

web e book information year 2 000 edition 2 aufl language german topic 100 library usenet identifier 3 827 220 386 org file size 1 497 220 extension chm perl in 21

**perl in 21 tagen schritt für schritt zum profi plus ebook pdf** - Nov 24 2022

web perl in 21 tagen patrick ditchenperl □ schritt für schritt zum programmierprofi □ plattformübergreifende programme  
perl in 21 tagen schritt für schritt zum programm - May 19 2022

web perl in 21 tagen schritt für schritt zum programm right here we have countless books perl in 21 tagen schritt für schritt  
zum programm and collections to check out we

*the perl programming language perl org* - Sep 22 2022

web the perl programming language at perl org links and other helpful resources for new and experienced perl programmers  
toggle navigation about 5 38 0 download learn docs

**perl in 21 tagen schritt für schritt zum programm full pdf** - Nov 12 2021

web c in 21 tagen digital audio broadcasting straubinger tagblatt bayerische landbötin perl in 21 tagen schritt für schritt zum  
programm downloaded from

**perl programmierung das richtige für mich** - Dec 26 2022

web studenten um seinen horizont zu erweitern neue und frische ideen zu sammeln ist perl nicht die schlechteste wahl es  
unterstützt die meisten der heute üblichen

**perl in 21 tagen schritt für schritt zum programm pdf** - Jan 27 2023

web bessere tage schritt für schritt zu psychischer und mentaler gesundheit feb 25 2023 this book helps those aspiring  
toward recovery and wellness and also those in

*perl in 21 tagen schritt für schritt zum programm* - Dec 14 2021

web perl in 21 tagen schritt für schritt zum programm studien zur altägyptischen kultur band 50 jan 05 2021 inhalt niv allon  
finding a voice in a hymn to ramesses ix

*perl in 21 tagen schritt für schritt zum programmierprofi in 14* - Jul 21 2022

web in 21 tagen schritt für schritt zum perl in 21 tagen schritt für schritt zum profi plus c in 21 tagen schritt für schritt zum  
programmierprofi perl in 21 tagen schritt für schritt

*perl in 21 tagen schritt für schritt zum programmierprofi viele* - Mar 29 2023

web perl in 21 tagen schritt für schritt zum programmierprofi viele nützliche beispiele zu der mächtigen  
plattformübergreifenden skriptsprache aktuell bis perl 5 005 lemay laura

**installation und ein anfang mit perl perl maven** - Oct 24 2022

web apr 15 2013 installation und ein anfang mit perl das ist der erste teil des perl tutorials in diesem teil wirst du lernen  
wie man perl unter microsoft windows installiert und wie