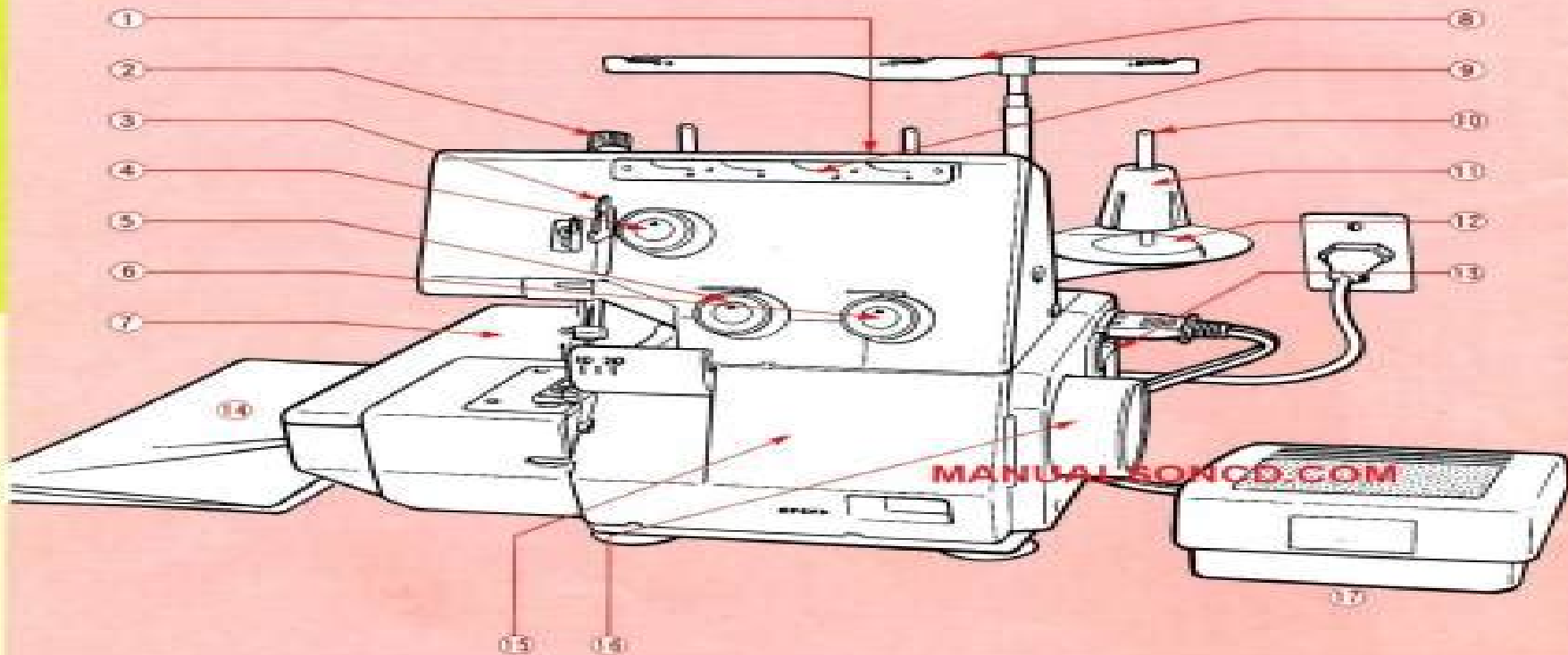


PARTIES ESSENTIELLES

- | | | | |
|---|------------------------------------|----|------------------------|
| 1 | Poignée | 10 | Tige porte-bobine |
| 2 | Réglage pression du pied | 11 | Support bobine |
| 3 | Tire-fil aiguille | 12 | Base support bobine |
| 4 | Tension fil aiguille (rouge) | 13 | Interrupteur principal |
| 5 | Tension boucleur supérieur (jaune) | 14 | Housse, No 396 002-09 |
| 6 | Tension boucleur inférieur (vert) | 15 | Couvercle frontal |
| 7 | Table de couture/baies accessoires | 16 | Volant |
| 8 | Tige guide-fil | 17 | Pédale |
| 9 | Guide-fil supérieur | | |



MAIN PARTS

- | | | | |
|---|--------------------------------------|----|-------------------------------|
| 1 | Carrying grip | 10 | Spool pin |
| 2 | Foot pressure control | 11 | Spool holder |
| 3 | Needle take-up lever | 12 | Spool pin base |
| 4 | Needle thread tension (red) | 13 | Main switch |
| 5 | Upper looper thread tension (yellow) | 14 | Machine cover, No. 396 002-09 |
| 6 | Lower looper thread tension (green) | 15 | Front cover |
| 7 | Sewing table/accessory case | 16 | Flywheel |
| 8 | Thread guide post | 17 | Foot control |
| 9 | Upper thread guide | | |

Elna Overlocker Instruction Manual

Lauren Gardner



Elna Overlocker Instruction Manual:

The Enigmatic Realm of **Elna Overlocker Instruction Manual**: Unleashing the Language is Inner Magic

In a fast-paced digital era where connections and knowledge intertwine, the enigmatic realm of language reveals its inherent magic. Its capacity to stir emotions, ignite contemplation, and catalyze profound transformations is nothing short of extraordinary. Within the captivating pages of **Elna Overlocker Instruction Manual** a literary masterpiece penned by a renowned author, readers set about a transformative journey, unlocking the secrets and untapped potential embedded within each word. In this evaluation, we shall explore the book's core themes, assess its distinct writing style, and delve into its lasting effect on the hearts and minds of those who partake in its reading experience.

https://staging.conocer.cide.edu/public/uploaded-files/Download_PDFS/land%20cruiser2008%20engine%20repair%20manual.pdf

Table of Contents Elna Overlocker Instruction Manual

1. Understanding the eBook Elna Overlocker Instruction Manual
 - The Rise of Digital Reading Elna Overlocker Instruction Manual
 - Advantages of eBooks Over Traditional Books
2. Identifying Elna Overlocker Instruction Manual
 - Exploring Different Genres
 - Considering Fiction vs. Non-Fiction
 - Determining Your Reading Goals
3. Choosing the Right eBook Platform
 - Popular eBook Platforms
 - Features to Look for in an Elna Overlocker Instruction Manual
 - User-Friendly Interface
4. Exploring eBook Recommendations from Elna Overlocker Instruction Manual
 - Personalized Recommendations
 - Elna Overlocker Instruction Manual User Reviews and Ratings

- Elna Overlocker Instruction Manual and Bestseller Lists
- 5. Accessing Elna Overlocker Instruction Manual Free and Paid eBooks
 - Elna Overlocker Instruction Manual Public Domain eBooks
 - Elna Overlocker Instruction Manual eBook Subscription Services
 - Elna Overlocker Instruction Manual Budget-Friendly Options
- 6. Navigating Elna Overlocker Instruction Manual eBook Formats
 - ePub, PDF, MOBI, and More
 - Elna Overlocker Instruction Manual Compatibility with Devices
 - Elna Overlocker Instruction Manual Enhanced eBook Features
- 7. Enhancing Your Reading Experience
 - Adjustable Fonts and Text Sizes of Elna Overlocker Instruction Manual
 - Highlighting and Note-Taking Elna Overlocker Instruction Manual
 - Interactive Elements Elna Overlocker Instruction Manual
- 8. Staying Engaged with Elna Overlocker Instruction Manual
 - Joining Online Reading Communities
 - Participating in Virtual Book Clubs
 - Following Authors and Publishers Elna Overlocker Instruction Manual
- 9. Balancing eBooks and Physical Books Elna Overlocker Instruction Manual
 - Benefits of a Digital Library
 - Creating a Diverse Reading Collection Elna Overlocker Instruction Manual
- 10. Overcoming Reading Challenges
 - Dealing with Digital Eye Strain
 - Minimizing Distractions
 - Managing Screen Time
- 11. Cultivating a Reading Routine Elna Overlocker Instruction Manual
 - Setting Reading Goals Elna Overlocker Instruction Manual
 - Carving Out Dedicated Reading Time
- 12. Sourcing Reliable Information of Elna Overlocker Instruction Manual
 - Fact-Checking eBook Content of Elna Overlocker Instruction Manual
 - Distinguishing Credible Sources

13. Promoting Lifelong Learning
 - Utilizing eBooks for Skill Development
 - Exploring Educational eBooks
14. Embracing eBook Trends
 - Integration of Multimedia Elements
 - Interactive and Gamified eBooks

Elna Overlocker Instruction Manual Introduction

In today's digital age, the availability of Elna Overlocker Instruction Manual books and manuals for download has revolutionized the way we access information. Gone are the days of physically flipping through pages and carrying heavy textbooks or manuals. With just a few clicks, we can now access a wealth of knowledge from the comfort of our own homes or on the go. This article will explore the advantages of Elna Overlocker Instruction Manual books and manuals for download, along with some popular platforms that offer these resources. One of the significant advantages of Elna Overlocker Instruction Manual books and manuals for download is the cost-saving aspect. Traditional books and manuals can be costly, especially if you need to purchase several of them for educational or professional purposes. By accessing Elna Overlocker Instruction Manual versions, you eliminate the need to spend money on physical copies. This not only saves you money but also reduces the environmental impact associated with book production and transportation. Furthermore, Elna Overlocker Instruction Manual books and manuals for download are incredibly convenient. With just a computer or smartphone and an internet connection, you can access a vast library of resources on any subject imaginable. Whether you're a student looking for textbooks, a professional seeking industry-specific manuals, or someone interested in self-improvement, these digital resources provide an efficient and accessible means of acquiring knowledge. Moreover, PDF books and manuals offer a range of benefits compared to other digital formats. PDF files are designed to retain their formatting regardless of the device used to open them. This ensures that the content appears exactly as intended by the author, with no loss of formatting or missing graphics. Additionally, PDF files can be easily annotated, bookmarked, and searched for specific terms, making them highly practical for studying or referencing. When it comes to accessing Elna Overlocker Instruction Manual books and manuals, several platforms offer an extensive collection of resources. One such platform is Project Gutenberg, a nonprofit organization that provides over 60,000 free eBooks. These books are primarily in the public domain, meaning they can be freely distributed and downloaded. Project Gutenberg offers a wide range of classic literature, making it an excellent resource for literature enthusiasts. Another popular platform for Elna Overlocker Instruction Manual books and manuals is Open Library. Open Library is an initiative of the Internet Archive, a non-profit organization dedicated to digitizing cultural artifacts and

making them accessible to the public. Open Library hosts millions of books, including both public domain works and contemporary titles. It also allows users to borrow digital copies of certain books for a limited period, similar to a library lending system. Additionally, many universities and educational institutions have their own digital libraries that provide free access to PDF books and manuals. These libraries often offer academic texts, research papers, and technical manuals, making them invaluable resources for students and researchers. Some notable examples include MIT OpenCourseWare, which offers free access to course materials from the Massachusetts Institute of Technology, and the Digital Public Library of America, which provides a vast collection of digitized books and historical documents. In conclusion, Elna Overlocker Instruction Manual books and manuals for download have transformed the way we access information. They provide a cost-effective and convenient means of acquiring knowledge, offering the ability to access a vast library of resources at our fingertips. With platforms like Project Gutenberg, Open Library, and various digital libraries offered by educational institutions, we have access to an ever-expanding collection of books and manuals. Whether for educational, professional, or personal purposes, these digital resources serve as valuable tools for continuous learning and self-improvement. So why not take advantage of the vast world of Elna Overlocker Instruction Manual books and manuals for download and embark on your journey of knowledge?

FAQs About Elna Overlocker Instruction Manual Books

How do I know which eBook platform is the best for me? Finding the best eBook platform depends on your reading preferences and device compatibility. Research different platforms, read user reviews, and explore their features before making a choice. Are free eBooks of good quality? Yes, many reputable platforms offer high-quality free eBooks, including classics and public domain works. However, make sure to verify the source to ensure the eBook credibility. Can I read eBooks without an eReader? Absolutely! Most eBook platforms offer webbased readers or mobile apps that allow you to read eBooks on your computer, tablet, or smartphone. How do I avoid digital eye strain while reading eBooks? To prevent digital eye strain, take regular breaks, adjust the font size and background color, and ensure proper lighting while reading eBooks. What the advantage of interactive eBooks? Interactive eBooks incorporate multimedia elements, quizzes, and activities, enhancing the reader engagement and providing a more immersive learning experience. Elna Overlocker Instruction Manual is one of the best book in our library for free trial. We provide copy of Elna Overlocker Instruction Manual in digital format, so the resources that you find are reliable. There are also many Ebooks of related with Elna Overlocker Instruction Manual. Where to download Elna Overlocker Instruction Manual online for free? Are you looking for Elna Overlocker Instruction Manual PDF? This is definitely going to save you time and cash in something you should think about. If you trying to find then

search around for online. Without a doubt there are numerous these available and many of them have the freedom. However without doubt you receive whatever you purchase. An alternate way to get ideas is always to check another Elna Overlocker Instruction Manual. This method for see exactly what may be included and adopt these ideas to your book. This site will almost certainly help you save time and effort, money and stress. If you are looking for free books then you really should consider finding to assist you try this. Several of Elna Overlocker Instruction Manual are for sale to free while some are payable. If you arent sure if the books you would like to download works with for usage along with your computer, it is possible to download free trials. The free guides make it easy for someone to free access online library for download books to your device. You can get free download on free trial for lots of books categories. Our library is the biggest of these that have literally hundreds of thousands of different products categories represented. You will also see that there are specific sites catered to different product types or categories, brands or niches related with Elna Overlocker Instruction Manual. So depending on what exactly you are searching, you will be able to choose e books to suit your own need. Need to access completely for Campbell Biology Seventh Edition book? Access Ebook without any digging. And by having access to our ebook online or by storing it on your computer, you have convenient answers with Elna Overlocker Instruction Manual To get started finding Elna Overlocker Instruction Manual, you are right to find our website which has a comprehensive collection of books online. Our library is the biggest of these that have literally hundreds of thousands of different products represented. You will also see that there are specific sites catered to different categories or niches related with Elna Overlocker Instruction Manual So depending on what exactly you are searching, you will be able to choose ebook to suit your own need. Thank you for reading Elna Overlocker Instruction Manual. Maybe you have knowledge that, people have search numerous times for their favorite readings like this Elna Overlocker Instruction Manual, but end up in harmful downloads. Rather than reading a good book with a cup of coffee in the afternoon, instead they juggled with some harmful bugs inside their laptop. Elna Overlocker Instruction Manual is available in our book collection an online access to it is set as public so you can download it instantly. Our digital library spans in multiple locations, allowing you to get the most less latency time to download any of our books like this one. Merely said, Elna Overlocker Instruction Manual is universally compatible with any devices to read.

Find Elna Overlocker Instruction Manual :

land cruiser2008 engine repair manual

land rover defender 90 1984 factory service repair manual

lap report example for chemistry

lament of mohini english edition

landlord tenant credit and eviction report

land rover discovery 2 1995 2007 factory service repair manual

landforms project rubric

landcruiser hzj79 subtank wiring diagram

laptop computer screen repair

larry smith linear algebra solutions manual

language the big picture peter sharpe

land rover defender 2007 2010 workshop service manual

laptop payment plan bad credit

lanimation parcours de professionnels

land rover defender 2007 2012 service repair workshop manual

Elna Overlocker Instruction Manual :

The British Society of Physical & Rehabilitation Medicine | Home We aim to promote the advancement of rehabilitation medicine by sharing knowledge between members and rehabilitation professionals. Report of a working party convened by the British Society ... Jun 24, 2021 — Ch 4: Inflammatory Arthritis: In "Musculoskeletal Rehabilitation: Report of a working party convened by the British Society of Rehabilitation ... Vocational assessment and rehabilitation after acquired brain ... by B Part · 2004 — Rehabilitation after traumatic brain injury. A working party report of the British Society of Rehabilitation Medicine. London: BSRM, 1998. 14 Wesolek J ... Guideline Documents These Guidelines and guidance documents have been prepared or endorsed by the British Society of Physical and Rehabilitation Medicine (BSPRM). Vocational rehabilitation - PMC by AO Frank · 2003 · Cited by 37 — In addition, both the British Society of Rehabilitation Medicine and the Royal ... Vocational Rehabilitation: the Way Forward—Report of a Working Party (Chair, AO ... bsr-rehabilitation-following-acquired-brain-injury. ... In 2002, the British Society of Rehabilitation Medicine (BSRM) set up a multidisciplinary working party to develop guidelines to cover rehabilitation and ... Medical rehabilitation in 2011 and beyond Medical rehabilitation in. 2011 and beyond. Report of a joint working party of the Royal. College of Physicians and the British Society of. Rehabilitation ... British Society of Physical and Rehabilitation Medicine Although most members are doctors, the Society has produced many reports and documents concerning rehabilitation in general, and they are available here. This ... Vocational Rehabilitation: BSRM brief guidance British Society of Rehabilitation Medicine, C/o Royal College of Physicians ... Chair of Academic Forum for Health and Work, UK. This brief guidance is very ... Medical rehabilitation by C Collin · 2011 · Cited by 3 — Medical rehabilitation in 2011 and beyond is the fourth report by the Royal ... Report of a working party. Medical rehabilitation in

2011 and beyond. London ... The Good Doctor: Bringing Healing to the Hopeless Bringing Healing to the Hopeless [Park, Sai R.] on Amazon.com. *FREE* shipping on qualifying offers. The Good Doctor: Bringing Healing to the Hopeless. The Good Doctor: Park, Sai ... hopelessness of the suffering that must break God's heart. The extraordinary depth of love Dr. Park has for the suffering people he sees is beyond my ... The Good Doctor: Bringing Healing to the Hopeless Title, The Good Doctor: Bringing Healing to the Hopeless ; Author, Sai R. Park ; Publisher, Authentic Media, 2010 ; ISBN, 1606570846, 9781606570845 ; Length, 242 ... The Good Doctor : Bringing Healing to the Hopeless The Good Doctor : Bringing Healing to the Hopeless. USD\$18.30. Price when purchased online. Image 1 of The Good Doctor : Bringing Healing to the Hopeless. Bringing Healing to the Hopeless by Park, Sai R. ... The Good Doctor: Bringing Healing to the Hopeless by Park, Sai R. ; Quantity. 1 available ; Item Number. 195876113285 ; Binding. Paperback ; Weight. 0 lbs ; Accurate ... The Good Doctor : Bringing Healing to the Hopeless by Sai ... Good Doctor : Bringing Healing to the Hopeless, Paperback by Park, Sai R., ISBN 0830856730, ISBN-13 9780830856732, Brand New, Free shipping in the US In ... The Good Doctor: Bringing Healing to the Hopeless The Good Doctor: Bringing Healing to the Hopeless. Sai R. Park (Author). The Good Doctor: Bringing Healing to the Hopeless - Park, Sai R. FORMAT. <div class ... The Good Doctor: Bringing Healing to the Hopeless - Park ... Dec 15, 2010 — The Good Doctor: Bringing Healing to the Hopeless by Park, Sai R. - ISBN 10: 0830856730 - ISBN 13: 9780830856732 - IVP - 2010 - Softcover. The Good Doctor - Park, Sai: 9781606570845 Dec 15, 2010 — The Good Doctor: Bringing Healing to the Hopeless. Dr. Sai R. Park M.D.. Published by Biblica Publishing (2010). ISBN 10: 1606570846 ISBN 13 ... Visiting the Sick: Healing for Body and Soul Mar 13, 2023 — Sickness in any form can bring hopelessness—in those very places, we are called to be present and offer the hope and love of Christ. Through ... The Theatre Experience, 12th Edition The re-imagined twelfth edition of The Theatre Experience is students' ticket to the best seat in the house. From Broadway to makeshift theater spaces ... The Theatre Experience, 12th Edition - Wilson, Edwin Wilson, Edwin ... The re-imagined twelfth edition of The Theatre Experience is students' ticket to the best seat in the house. From Broadway to makeshift theater ... The Theatre Experience by Wilson, Edwin 12th (twelfth) ... The Theatre Experience by Wilson, Edwin 12th (twelfth) Edition [Paperback(2010)] [AA] on Amazon.com. *FREE* shipping on qualifying offers. The Theatre Experience, 12th Edition by Wilson ... The Theatre Experience, 12th Edition by Wilson, Edwin ; ISBN. 0073382191 ; Publication Year. 2010 ; Accurate description. 4.8 ; Reasonable shipping cost. 4.6. The Theatre Experience | Rent | 9780073382197 Rent The Theatre Experience 12th edition (978-0073382197) today, or search our site for other textbooks by Edwin Wilson. Every textbook comes with a 21 ... The Theatre Experience 12th Edition by Wilson ISBN: 9780073382197 - 12th Edition. - Softcover - McGraw Hill, USA - 2011 - Condition: New - This book is in NEW CONDITION! Multiple copies available this ... Audiobook: The Theatre Experience by Edwin Wilson The re-imagined twelfth edition ofThe Theatre Experienceis students' ticket to the best seat in the house. From Broadway to makeshift theater spaces around the ... The theatre experience by Wilson, Edwin |

Paperback ... The re-imagined twelfth edition of "The Theatre Experience" is students' ticket to the best seat in the house. From Broadway to makeshift theater spaces around ... The Theatre Experience by Edwin Wilson (2010, ... The re-imagined twelfth edition of The Theatre Experience is students' ticket to the best seat in the house. From Broadway to makeshift theater spaces around ... 9780073382197 | Theatre Experience Sep 10, 2010 — The re-imagined twelfth edition of The Theatre Experience is students' ticket to the best seat in the house. From Broadway to makeshift ...