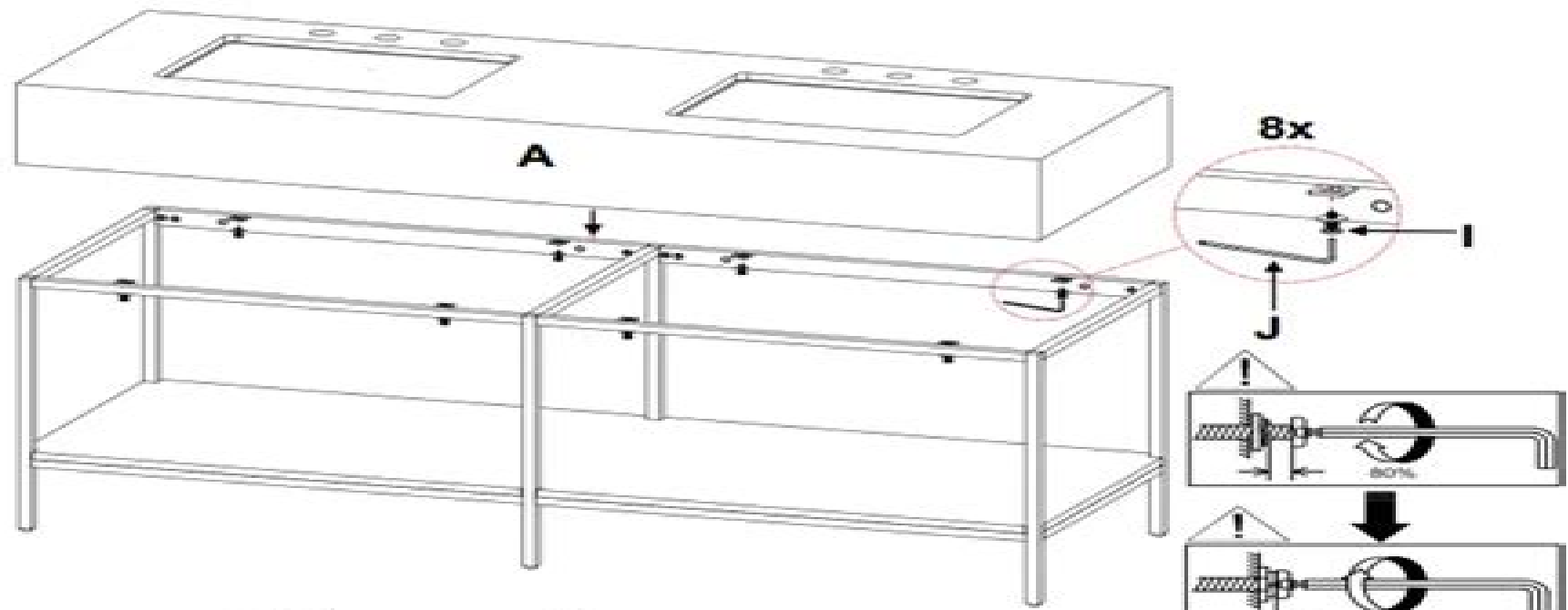
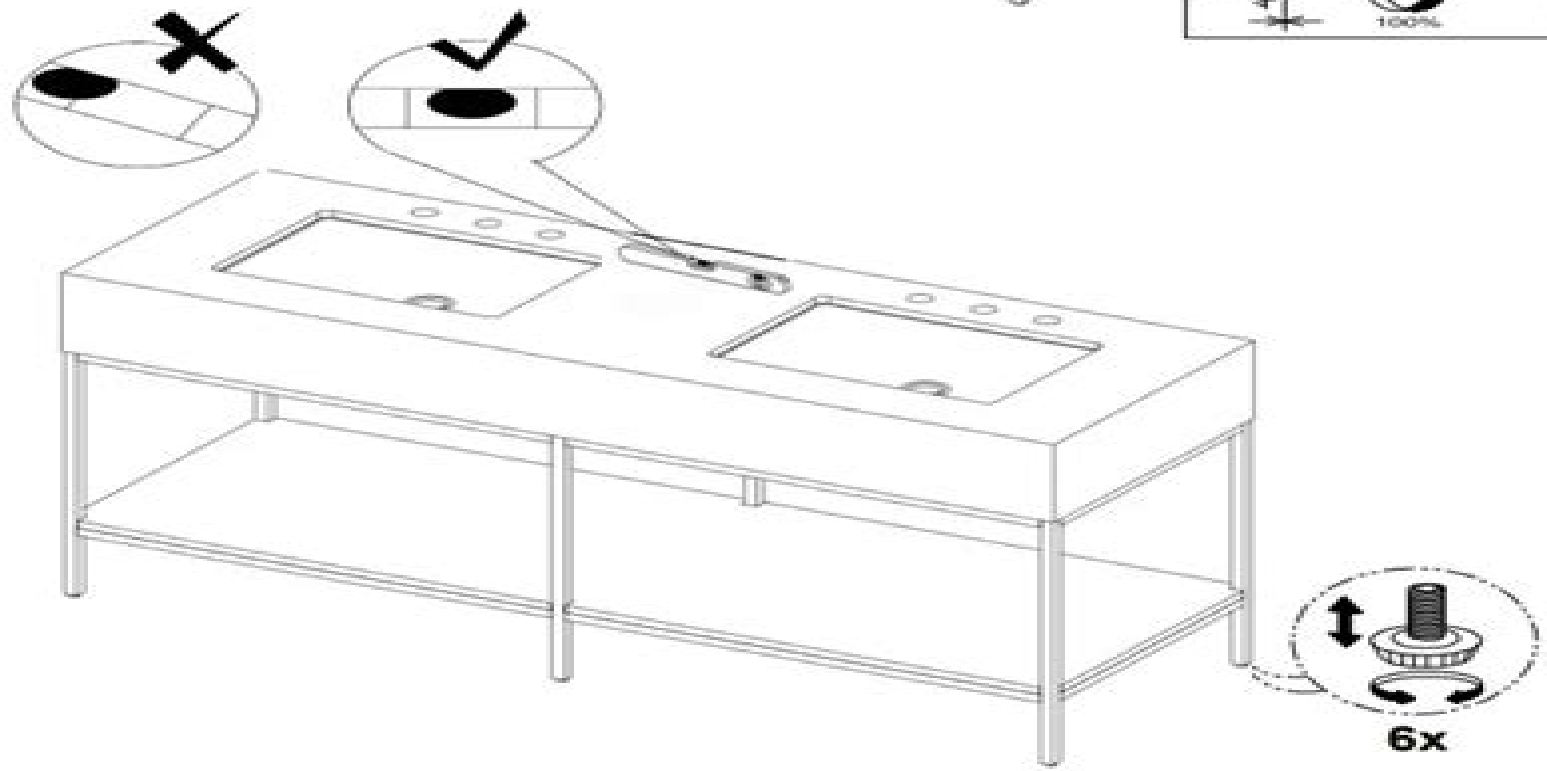


4



5



Julien Bath Console Instruction Guide

E Durkheim



Julien Bath Console Instruction Guide:

Unveiling the Energy of Verbal Artistry: An Emotional Sojourn through **Julien Bath Console Instruction Guide**

In a global inundated with monitors and the cacophony of quick communication, the profound energy and psychological resonance of verbal art often disappear into obscurity, eclipsed by the continuous barrage of sound and distractions. However, nestled within the musical pages of **Julien Bath Console Instruction Guide**, a interesting perform of fictional brilliance that impulses with organic emotions, lies an unforgettable trip waiting to be embarked upon. Composed by a virtuoso wordsmith, this magical opus courses readers on a mental odyssey, delicately exposing the latent potential and profound affect embedded within the delicate internet of language. Within the heart-wrenching expanse with this evocative examination, we will embark upon an introspective exploration of the book is key themes, dissect its captivating writing style, and immerse ourselves in the indelible impact it leaves upon the depths of readers souls.

https://staging.conocer.cide.edu/data/scholarship/fetch.php/finding_your_first_job.pdf

Table of Contents Julien Bath Console Instruction Guide

1. Understanding the eBook Julien Bath Console Instruction Guide
 - The Rise of Digital Reading Julien Bath Console Instruction Guide
 - Advantages of eBooks Over Traditional Books
2. Identifying Julien Bath Console Instruction Guide
 - Exploring Different Genres
 - Considering Fiction vs. Non-Fiction
 - Determining Your Reading Goals
3. Choosing the Right eBook Platform
 - Popular eBook Platforms
 - Features to Look for in an Julien Bath Console Instruction Guide
 - User-Friendly Interface
4. Exploring eBook Recommendations from Julien Bath Console Instruction Guide
 - Personalized Recommendations

- Julien Bath Console Instruction Guide User Reviews and Ratings
- Julien Bath Console Instruction Guide and Bestseller Lists
- 5. Accessing Julien Bath Console Instruction Guide Free and Paid eBooks
 - Julien Bath Console Instruction Guide Public Domain eBooks
 - Julien Bath Console Instruction Guide eBook Subscription Services
 - Julien Bath Console Instruction Guide Budget-Friendly Options
- 6. Navigating Julien Bath Console Instruction Guide eBook Formats
 - ePub, PDF, MOBI, and More
 - Julien Bath Console Instruction Guide Compatibility with Devices
 - Julien Bath Console Instruction Guide Enhanced eBook Features
- 7. Enhancing Your Reading Experience
 - Adjustable Fonts and Text Sizes of Julien Bath Console Instruction Guide
 - Highlighting and Note-Taking Julien Bath Console Instruction Guide
 - Interactive Elements Julien Bath Console Instruction Guide
- 8. Staying Engaged with Julien Bath Console Instruction Guide
 - Joining Online Reading Communities
 - Participating in Virtual Book Clubs
 - Following Authors and Publishers Julien Bath Console Instruction Guide
- 9. Balancing eBooks and Physical Books Julien Bath Console Instruction Guide
 - Benefits of a Digital Library
 - Creating a Diverse Reading Collection Julien Bath Console Instruction Guide
- 10. Overcoming Reading Challenges
 - Dealing with Digital Eye Strain
 - Minimizing Distractions
 - Managing Screen Time
- 11. Cultivating a Reading Routine Julien Bath Console Instruction Guide
 - Setting Reading Goals Julien Bath Console Instruction Guide
 - Carving Out Dedicated Reading Time
- 12. Sourcing Reliable Information of Julien Bath Console Instruction Guide
 - Fact-Checking eBook Content of Julien Bath Console Instruction Guide

- Distinguishing Credible Sources
- 13. Promoting Lifelong Learning
 - Utilizing eBooks for Skill Development
 - Exploring Educational eBooks
- 14. Embracing eBook Trends
 - Integration of Multimedia Elements
 - Interactive and Gamified eBooks

Julien Bath Console Instruction Guide Introduction

Free PDF Books and Manuals for Download: Unlocking Knowledge at Your Fingertips In today's fast-paced digital age, obtaining valuable knowledge has become easier than ever. Thanks to the internet, a vast array of books and manuals are now available for free download in PDF format. Whether you are a student, professional, or simply an avid reader, this treasure trove of downloadable resources offers a wealth of information, conveniently accessible anytime, anywhere. The advent of online libraries and platforms dedicated to sharing knowledge has revolutionized the way we consume information. No longer confined to physical libraries or bookstores, readers can now access an extensive collection of digital books and manuals with just a few clicks. These resources, available in PDF, Microsoft Word, and PowerPoint formats, cater to a wide range of interests, including literature, technology, science, history, and much more. One notable platform where you can explore and download free Julien Bath Console Instruction Guide PDF books and manuals is the internet's largest free library. Hosted online, this catalog compiles a vast assortment of documents, making it a veritable goldmine of knowledge. With its easy-to-use website interface and customizable PDF generator, this platform offers a user-friendly experience, allowing individuals to effortlessly navigate and access the information they seek. The availability of free PDF books and manuals on this platform demonstrates its commitment to democratizing education and empowering individuals with the tools needed to succeed in their chosen fields. It allows anyone, regardless of their background or financial limitations, to expand their horizons and gain insights from experts in various disciplines. One of the most significant advantages of downloading PDF books and manuals lies in their portability. Unlike physical copies, digital books can be stored and carried on a single device, such as a tablet or smartphone, saving valuable space and weight. This convenience makes it possible for readers to have their entire library at their fingertips, whether they are commuting, traveling, or simply enjoying a lazy afternoon at home. Additionally, digital files are easily searchable, enabling readers to locate specific information within seconds. With a few keystrokes, users can search for keywords, topics, or phrases, making research and finding relevant information a breeze. This efficiency saves time and effort, streamlining the learning process and allowing individuals to focus on extracting the

information they need. Furthermore, the availability of free PDF books and manuals fosters a culture of continuous learning. By removing financial barriers, more people can access educational resources and pursue lifelong learning, contributing to personal growth and professional development. This democratization of knowledge promotes intellectual curiosity and empowers individuals to become lifelong learners, promoting progress and innovation in various fields. It is worth noting that while accessing free Julien Bath Console Instruction Guide PDF books and manuals is convenient and cost-effective, it is vital to respect copyright laws and intellectual property rights. Platforms offering free downloads often operate within legal boundaries, ensuring that the materials they provide are either in the public domain or authorized for distribution. By adhering to copyright laws, users can enjoy the benefits of free access to knowledge while supporting the authors and publishers who make these resources available. In conclusion, the availability of Julien Bath Console Instruction Guide free PDF books and manuals for download has revolutionized the way we access and consume knowledge. With just a few clicks, individuals can explore a vast collection of resources across different disciplines, all free of charge. This accessibility empowers individuals to become lifelong learners, contributing to personal growth, professional development, and the advancement of society as a whole. So why not unlock a world of knowledge today? Start exploring the vast sea of free PDF books and manuals waiting to be discovered right at your fingertips.

FAQs About Julien Bath Console Instruction Guide Books

How do I know which eBook platform is the best for me? Finding the best eBook platform depends on your reading preferences and device compatibility. Research different platforms, read user reviews, and explore their features before making a choice. Are free eBooks of good quality? Yes, many reputable platforms offer high-quality free eBooks, including classics and public domain works. However, make sure to verify the source to ensure the eBook credibility. Can I read eBooks without an eReader? Absolutely! Most eBook platforms offer webbased readers or mobile apps that allow you to read eBooks on your computer, tablet, or smartphone. How do I avoid digital eye strain while reading eBooks? To prevent digital eye strain, take regular breaks, adjust the font size and background color, and ensure proper lighting while reading eBooks. What the advantage of interactive eBooks? Interactive eBooks incorporate multimedia elements, quizzes, and activities, enhancing the reader engagement and providing a more immersive learning experience. Julien Bath Console Instruction Guide is one of the best book in our library for free trial. We provide copy of Julien Bath Console Instruction Guide in digital format, so the resources that you find are reliable. There are also many Ebooks of related with Julien Bath Console Instruction Guide. Where to download Julien Bath Console Instruction Guide online for free? Are you looking for Julien Bath Console Instruction Guide PDF? This is definitely going to save you time and cash in something you should think about. If you

trying to find then search around for online. Without a doubt there are numerous these available and many of them have the freedom. However without doubt you receive whatever you purchase. An alternate way to get ideas is always to check another Julien Bath Console Instruction Guide. This method for see exactly what may be included and adopt these ideas to your book. This site will almost certainly help you save time and effort, money and stress. If you are looking for free books then you really should consider finding to assist you try this. Several of Julien Bath Console Instruction Guide are for sale to free while some are payable. If you arent sure if the books you would like to download works with for usage along with your computer, it is possible to download free trials. The free guides make it easy for someone to free access online library for download books to your device. You can get free download on free trial for lots of books categories. Our library is the biggest of these that have literally hundreds of thousands of different products categories represented. You will also see that there are specific sites catered to different product types or categories, brands or niches related with Julien Bath Console Instruction Guide. So depending on what exactly you are searching, you will be able to choose e books to suit your own need. Need to access completely for Campbell Biology Seventh Edition book? Access Ebook without any digging. And by having access to our ebook online or by storing it on your computer, you have convenient answers with Julien Bath Console Instruction Guide To get started finding Julien Bath Console Instruction Guide, you are right to find our website which has a comprehensive collection of books online. Our library is the biggest of these that have literally hundreds of thousands of different products represented. You will also see that there are specific sites catered to different categories or niches related with Julien Bath Console Instruction Guide So depending on what exactly you are searching, you will be able to choose ebook to suit your own need. Thank you for reading Julien Bath Console Instruction Guide. Maybe you have knowledge that, people have search numerous times for their favorite readings like this Julien Bath Console Instruction Guide, but end up in harmful downloads. Rather than reading a good book with a cup of coffee in the afternoon, instead they juggled with some harmful bugs inside their laptop. Julien Bath Console Instruction Guide is available in our book collection an online access to it is set as public so you can download it instantly. Our digital library spans in multiple locations, allowing you to get the most less latency time to download any of our books like this one. Merely said, Julien Bath Console Instruction Guide is universally compatible with any devices to read.

Find Julien Bath Console Instruction Guide :

finding your first job

fire across the sea the vietnam war and japan 1965-1975

fingerboard harmony for bass a linear approach for 4 5 and 6-string bass

findoladventures in big blue

finite element method displayed

finn juhl furniture architecture applied art

finland the land of a thousand lakes

[finding god in the space age](#)

finite elements an introduction for engineers

fireside encyclopedia of poetry

~~finding stopping waste boiler rooms~~

~~fire & mud eruptions & lahars of mount pinatubo philippines.~~

fire gb

[finding your way](#)

fire department aerial apparatus/35422

Julien Bath Console Instruction Guide :

john eckhardt prayers that rout demons break curses youtube - Aug 16 2023

web may 17 2022 6 1k share 539k views 1 year ago prayers that rout demons combines powerful prayers with decrees taken from scripture to help you overcome demonic influence and opposition in your life

prayers that rout demons break curses archive org - May 13 2023

web language english xiv 124 p 19 cm plugging into the power source preparing to engage the enemy confronting the enemy s tactics destroying the enemy s forces experiencing deliverance and release access restricted item

prayers that rout demons by john eckhardt youtube - Mar 31 2022

web apr 3 2018 prayers that rout demons by john eckhardt amazing grace worship centre 53 1k subscribers 3 7m views 5 years ago check out this book by john

prayers that rout demons and break curses prayers for spiritual battle - Mar 11 2023

web buy prayers that rout demons and break curses prayers for spiritual battle by john eckhardt isbn 9781616382155 from amazon s book store everyday low prices and free delivery on eligible orders prayers that rout demons and break curses prayers for spiritual battle amazon co uk john eckhardt 9781616382155 books

[prayers that rout demons and break curses amazon com](#) - Jul 15 2023

web sep 14 2010 this bonded leather compendium combines the two best selling books by john eckhardt in the spiritual prayers series prayers that rout demons and prayers that break curses this is a powerful handy reference tool that enables the reader to access scripture based prayers and decrees to overcome demonic influence and

[listen daily prayers ha rou demons break curses by john youtube](#) - Feb 27 2022

web oct 6 2019 1 7m views 3 years ago prayersthatroudemons armourofgod dg2k187 listen daily prayers ha rou demons break curses by john eckhardt if you like this video please consider subscribing to my

prayers that rout demons break curses hardcover - Aug 04 2022

web prayers that rout demons and break curses contains powerful warfare prayers and decrees taken from scripture that will break the powers of darkness and release the blessings and favor of god this prayer tool compiled by author john eckhardt includes an introduction to spiritual warfare and biblical principles for praying to overcome demonic

prayers that rout demons and break curses powerful prayers that cast - Feb 10 2023

web jan 6 2022 prayers that rout demons and break curses powerful prayers that cast out demons and evil spirits kindle edition by publishing better you etc religion spirituality kindle ebooks amazon com kindle store kindle ebooks religion spirituality unlimited reading over 3 million titles learn more or buy now with 1 click

prayers that rout demons break curses goodreads - Jun 14 2023

web sep 14 2010 this book contains powerful warfare prayers and decrees taken from scripture that will break the powers of darkness and release the blessings and favor of god this prayer tool includes an introduction to spiritual warfare and biblical principles for praying to overcome demonic influence and oppression

prayers that rout demons break curses 2 volumes in 1 - Apr 12 2023

web this book includes warfare prayers for every circumstance including avoiding satan s attack in the areas of finances pride rebellion relationships healing and demonic bondages with these resources readers will break the powers of darkness and release the blessings and favor of god in their lives

[prayers that rout demons and break curses bonded leather](#) - Dec 08 2022

web this bonded leather compendium combines the two best selling books by john eckhardt in the spiritual prayers series prayers that rout demons and prayers that break curses this is a powerful handy reference tool that enables the reader to access scripture based prayers and decrees to overcome demonic influence and opposition

prayers that rout demons and break curses audible com - Jun 02 2022

web powerful prayers that cast out demons and evil spirits pick 2 free titles with trial pick 1 title 2 titles for prime members from our collection of bestsellers and new releases access a growing selection of included audible originals audiobooks and podcasts

prayers that rout demons and break curses hardcover - Jan 09 2023

web sep 14 2010 breaking curses and releasing the blessings of god prayers to overcome satanic and demonic conspiracies overcoming and dividing demonic confederacies prayers over high places prayers over gates prayers against idols prayers

that destroy oppression breaking the power of schizophrenia and

prayers that rout demons pdf 8 24 mb pdf room - May 01 2022

web oft en times people are bound by witchcraft and curses but do not know how to be free whereas most christians are unaware of curses that aff ect their lives apostle eckhardt s book reveals curses and how to break the curses and bind the enemy th is book gives you the prayers that break every demonic stronghold on your life

prayers that rout demons and break curses by john eckhardt - Dec 28 2021

web prayers that rout demons and break curses by john eckhardt is a powerful and thought provoking book that delves into the realm of spiritual warfare and the

prayers that rout demons and break curses powerful prayers - Jan 29 2022

web sep 2 2022 spiritual attacks from demons satan and all his agents come in various forms their sole agenda is to destroy any believer who stands as a threat to the kingdom of darkness satan knows that god s children have the power to make the plans and activities of the demonic realm null and void

prayers that rout demons and break curses bonded leather - Nov 07 2022

web this book includes warfare prayers for every circumstance including avoiding satan s attack in the areas of finances pride rebellion relationships healing and demonic bondages with the resources in this book readers will break the powers of darkness and release the blessings and favor of god in their lives

prayers that break curses prayers for breaking demonic - Jul 03 2022

web 1 curses caused by the spirit of idolatry 2 the curse from the seduction of jezebel 3 the curse of a seared conscience 4 cursed by spirits of infirmity 5 the spirits of alcohol and drunkenness 6 spirits bringing curses of rape and sexual abuse 7 cursed by pornography and pedophilia 8 cursed with lawlessness and rebellion

read download prayers that rout demons and break curses - Sep 05 2022

web but you must contend with the adversary who is trying to prevent you from receiving and walking in god s promises written in the style of prayers that rout demons this second book in the series contains information about curses and sentence declaratory prayers to break the power of curses from your life 2016 08 15

ebook reading prayers that rout demons and break curses - Oct 06 2022

web apr 8 2020 spiritual prayers series prayers that rout demons and prayers that break curses this is a powerful handy reference tool that enables the reader to access scripture based prayers and decrees to overcome demonic influence and opposition this book includes warfare prayers for

slam dunk gn vol 03 c 1 0 1 amazon de - May 02 2022

web slam dunk gn vol 03 c 1 0 1 inoue takehiko inoue takehiko amazon de bücher

slam dunk gn vol 07 c 1 0 1 download only - Feb 28 2022

web real vol 15 slam dunk gn vol 07 c 1 0 1 downloaded from ce nationalnursesunited org by guest kylan hester comics values annual 2007 seven seas entertainment anybody working in sport management will be involved in the operation of a sports facility at some point in their career it is a core professional competency at the heart of successful

slam dunk gn vol 06 c 1 0 1 volume 6 kağıt kapak - Jun 15 2023

web if you love basketball you will love slam dunk the story of a brute named hanamichi who has his issues finding a girlfriend or any girl to like him but has fallen for haruko akagi the sister of shohoku high s takenori akagi the team captain of the basketball team

slam dunk gn vol 06 c 1 0 1 2022 analytics mirowin - Jan 30 2022

web 4 slam dunk gn vol 06 c 1 0 1 2021 04 21 his own village and he is hunted down like an animal at this crucial crossroads in takezō s life an eccentric monk and a childhood friend are the only ones who can help him find his way cover flap slam dunk vol 17 viz media llc this book is designed as a comprehensive educational resource not

slam dunk gn vol 02 c 1 0 1 new power generation - Jun 03 2022

web feb 19 2009 slam dunk gn vol 02 c 1 0 1 new power generation volume 2 paperback 19 feb 2009 by takehiko inoue author 4 7 out of 5 stars 192 ratings

slam dunk gn vol 26 c 1 0 2 volume 26 inoue - Sep 06 2022

web slam dunk gn vol 26 c 1 0 2 volume 26 inoue takehiko amazon com tr kitap

slam dunk gn vol 08 c 1 0 1 basketball taschenbuch amazon de - Aug 05 2022

web comics graphic novels neu 9 34 preisangaben inkl ust abhängig von der lieferadresse kann die ust an der kasse variieren weitere informationen kostenfreie retouren donnerstag 4 mai oder schnellste lieferung mittwoch 3 mai bestellung innerhalb 11 stdn 57 min lieferadresse wählen nur noch 4 auf lager menge in den

slam dunk gn vol 07 c 1 0 1 the end of the basketball - Apr 13 2023

web slam dunk gn vol 07 c 1 0 1 the end of the basketball team inoue takehiko inoue takehiko amazon de books

slam dunk gn vol 07 c 1 0 1 the end of the basketball - Jul 16 2023

web slam dunk print length 196 pages language english publisher viz llc publication date 17 dec 2009 grade level 7 9 reading age 14 17 years dimensions 12 7 x 1 52 x 19 05

slam dunk gn vol 30 c 1 0 1 volume 30 paperback - Apr 01 2022

web comics graphic novels anime manga select delivery location see all buying options have one to sell sell on amazon click to open expanded view follow the author takehiko inoue slam dunk gn vol 30 c 1 0 1 volume 30 paperback 17 oct 2013 by takehiko inoue author 5 0 61 ratings book 30 of 31 slam dunk see all formats and

slam dunk gn vol 04 curr ptg c 1 0 0 volume 4 - May 14 2023

web slam dunk gn vol 04 curr ptg c 1 0 0 volume 4 inoue takehiko inoue takehiko amazon com tr kitap

slam dunk gn vol 02 c 1 0 1 amazon com tr - Mar 12 2023

web slam dunk gn vol 02 c 1 0 1 inoue takehiko inoue takehiko amazon com tr kitap

slam dunk gn vol 06 c 1 0 1 volume 6 kağıt kapak - Dec 09 2022

web slam dunk gn vol 06 c 1 0 1 volume 6 inoue takehiko inoue takehiko amazon com tr kitap

slam dunk gn vol 08 c 1 0 1 basketball volume 8 - Aug 17 2023

web slam dunk gn vol 08 c 1 0 1 basketball volume 8 inoue takehiko inoue takehiko amazon com tr kitap

slam dunk gn vol 24 c 1 0 2 for victory volume 24 - Oct 07 2022

web slam dunk gn vol 24 c 1 0 2 for victory volume 24 inoue takehiko amazon com tr kitap

amazon com tr slam dunk - Sep 18 2023

web slam dunk vol 1 İngilizce baskı takehiko inoue 433 ciltsiz 29273tl 297 01 tl kargo bedeli slam dunk gn vol 06 c 1 0 1 volume 6 İngilizce baskı takehiko inoue 205

slam dunk gn vol 01 c 1 0 0 volume 1 paperback - Jul 04 2022

web sep 18 2008 it doesn t help that he s known for throwing down at a moment s notice and always coming out on top a hopeless bruiser he s been rejected by 50 girls in a row all that changes book 1 of 31 slam dunk print length 208 pages language english publisher viz llc publication date 18 sept 2008 grade level 10 12 reading age 14 17 years

slam dunk gn vol 07 c 1 0 1 amazon fr - Feb 11 2023

web slam dunk gn vol 07 c 1 0 1 inoue takehiko inoue takehiko amazon fr livres

slam dunk gn vol 15 c 1 0 1 amazon com tr - Nov 08 2022

web slam dunk gn vol 15 c 1 0 1 kağıt kapak 19 nisan 2011 İngilizce baskı takehiko inoue sanatçı eser sahibi 4 9 53 değerlendirme tüm biçimleri ve sürümleri görün

slam dunk gn vol 07 c 1 0 1 the end of the basketball team amazon de - Jan 10 2023

web slam dunk gn vol 07 c 1 0 1 the end of the basketball team inoue takehiko inoue takehiko amazon de bücher

general surgery faculty of medicine İstanbul okan Üniversitesi - Feb 18 2023

web mobin ibne mokbul shabrina sharmin december 2022 view pdf research articleopen access osteoblastogenesis of adipose derived mesenchymal stem cells in

medicine and surgery mbchb university of leeds - May 21 2023

web home medicine and surgery mbchb start date september duration 5 years ucas code a100 course type undergraduate single honours fees annual tuition fees for

applied medicine and surgery in dentistry oxford academic - Dec 04 2021

web noun uk 'sɜ:dʒəri us treatment u add to word list b2 the activity in which a doctor cuts people s bodies open and repairs or removes something ameliyat operasyon to

applied medicine and surgery in dentistry oxford academic - Jun 10 2022

web the english program imu english preparatory program provides english training for students whose knowledge of english is not sufficient to follow their courses provided in

hand surgery acıbadem sağlık grubu - Jan 05 2022

web kalantzis athanasios and crispien scully examination applied medicine and surgery in dentistry 3 edn oxford specialist handbooks oxford 2009 online edn oxford

greg brooks jr lsu safety undergoes emergency surgery to - Sep 01 2021

web 4 hours ago mario anzuoni reuters cnn oscar winning italian actress sophia loren 89 was taken to hospital on sunday for surgery after falling in her home in geneva

medicine keele university - Oct 14 2022

web general surgery applied medicine and surgery in dentistry 3 edn oxford specialist handbooks oxford 2009 online edn oxford academic 1 oct 2011

applied medicine and surgery in dentistry book depository - Mar 07 2022

web sep 20 2023 building columbia s peer support system for surgeons an initiative at vp s to instill healthier coping mechanisms for surgeons who experience difficult

applied medicine and surgery in dentistry oxford academic - Sep 13 2022

web this book covers the many areas of dentistry that overlap with or border on other specialities in the field of medicine and surgery including history taking examination

experimental and applied medical science ana sayfa dergipark - Dec 16 2022

web sep 26 2023 studies have demonstrated remarkable variation in the understanding and expectations of patients during a surgical hospitalization 3 6 7 specifically even when

the english program medipol university - May 09 2022

web students will develop a comprehensive medical knowledge from health promotion to emergency medicine from applied research to the latest medical technologies to

promoting patient and family perceptions of resident - Nov 15 2022

web undergraduate courses 2024 a z medicine mbchb medicine at keele delivers an innovative curriculum underpinned by the three core themes identified by the general

sophia loren has surgery after fall cnn - Jul 31 2021

web sep 21 2023 andrew kelly reuters the biden administration wants to remove medical debt completely from consumer credit reports so the consumer financial protection

İstanbul university İstanbul faculty of medicine - Jun 22 2023

web surgical medical sciences 1 department of oral and maxillofacial surgery 2 department of anaesthesiology and reanimation 3 department of brain and nerve surgery

surgery in turkish cambridge dictionary - Nov 03 2021

web our innovative products improve patient outcomes and advance minimally invasive surgery we are a global leader in developing breakthrough technologies and solutions for

applied medicine and surgery in dentistry oxford academic - Aug 24 2023

web abstract bridging the gap between dental and medical knowledge this resource provides postgraduate dental trainees with practical advice on dealing with clinical problems not encountered during their university training

cuimc update september 20 2023 columbia university - Feb 06 2022

web jan 27 2020 acibadem healthcare group s hand surgery departments provide patients who have problems in hand wrist elbow and arm with diagnosis and treatment services

white house takes steps to remove medical bills from credit - Jun 29 2021

web sep 20 2023 tim nwachukwu getty images cnn los angeles angels superstar shohei ohtani has announced he underwent elbow surgery tuesday morning after the

a new generation medical device company applied medical - Oct 02 2021

web sep 21 2023 cnn louisiana state university lsu tigers football player greg brooks jr underwent surgery on friday to remove a large brain tumor according to a

list of top 54 universities in turkey offering bachelor of medicine - Jul 23 2023

web 54 top universities colleges in turkey for bachelor of medicine and surgery course degree know tuition fees duration bachelor of medicine and surgery course duration in

best global universities for surgery in turkey u s news - Mar 19 2023

web head of the department of surgical sciences prof semih baskanesthesiology and reanimationbrain and nerve surgerypediatric surgery general surgerythoracic

medicine and surgery english top universities - Apr 08 2022

web feb 28 2010 applied medicine and surgery in dentistry by athanasios kalantzis 9780199560097 available at book depository with free delivery worldwide

medicine and surgery mbchb university of birmingham - Apr 20 2023

web top surgery universities in turkey us news best global universities surgery turkey best global universities rankings global universities education home 0 schools sort

applied medicine and surgery in dentistry oxford academic - Jul 11 2022

web relevant medicine applied medicine and surgery in dentistry oxford academic chapter 4 relevant medicine athanasios kalantzis crispian scully

shohei ohtani s elbow surgery went well the los angeles angels - May 29 2021

applied medicine and surgery in dentistry oxford specialist - Aug 12 2022

web kalantzis athanasios and crispian scully history taking applied medicine and surgery in dentistry 3 edn oxford specialist handbooks oxford 2009 online edn oxford

annals of medicine and surgery journal sciencedirect - Jan 17 2023

web hakkında experimental and applied medical science gaziantep İslam bilim ve teknoloji Üniversitesi tıp fakültesi himayesinde yılda dört kez İngilizce olarak yayınlanan açık